



US0D1046992S

(12) **United States Design Patent**  
**Xiang**

(10) **Patent No.:** **US D1,046,992 S**

(45) **Date of Patent:** **\*\* Oct. 15, 2024**

(54) **DINOSAUR FIDGET TOY**

(71) Applicant: **Xiaoxiao Xiang**, Dazhou (CN)

(72) Inventor: **Xiaoxiao Xiang**, Dazhou (CN)

(\*\*) Term: **15 Years**

(21) Appl. No.: **29/905,989**

(22) Filed: **Oct. 30, 2023**

(51) **LOC (14) Cl.** ..... **21-01**

(52) **U.S. Cl.**  
USPC ..... **D21/615; D21/468**

(58) **Field of Classification Search**  
USPC ..... D21/468, 587, 591–593, 596, 615,  
D21/621–625, 630, 631, 639, 658–661  
See application file for complete search history.

(56) **References Cited**

**U.S. PATENT DOCUMENTS**

D288,578 S *	3/1987	Edwards	.....	D21/615
D533,234 S *	12/2006	Chuang	.....	D21/572
D640,752 S *	6/2011	Ivanic	.....	D21/615
D679,343 S *	4/2013	Yeh	.....	D21/615
D704,283 S *	5/2014	Carlson	.....	D21/615
D772,351 S *	11/2016	Guo	.....	D21/621
D772,352 S *	11/2016	Guo	.....	D21/621
D798,967 S *	10/2017	Tompkin	.....	D21/615
D799,985 S *	10/2017	Johnson	.....	D10/6
D819,754 S *	6/2018	Gillenwater	.....	D21/590
D830,614 S *	10/2018	Hateley	.....	D26/98
D836,170 S *	12/2018	Tompkin	.....	D21/615
D939,032 S *	12/2021	Chen	.....	D21/615
D939,639 S *	12/2021	Chen	.....	D21/615
D939,640 S *	12/2021	Chen	.....	D21/615
D941,398 S *	1/2022	Zhang	.....	D21/468
D943,679 S *	2/2022	Huang	.....	D21/468

D952,057 S *	5/2022	Chen	.....	D21/615
D987,736 S *	5/2023	He	.....	D21/615
D987,737 S *	5/2023	He	.....	D21/615
D987,739 S *	5/2023	Ao	.....	D21/615
D988,423 S	6/2023	Capon	.....	
D993,331 S *	7/2023	Ao	.....	D21/615

**OTHER PUBLICATIONS**

“NiToy Dinosaur Push Pop Bubble Fidget Sensory Toy” Sep. 12, 2021, site visited Jan. 27, 2024, Amazon.com: <https://www.amazon.com/NiToy-Dinosaur-Sensory-Silicone-Reliever/product-reviews/B09L5VLQTL/> (Year: 2021).\*

\* cited by examiner

*Primary Examiner* — Michael C Stout  
*Assistant Examiner* — Melvin L Davis

(57) **CLAIM**

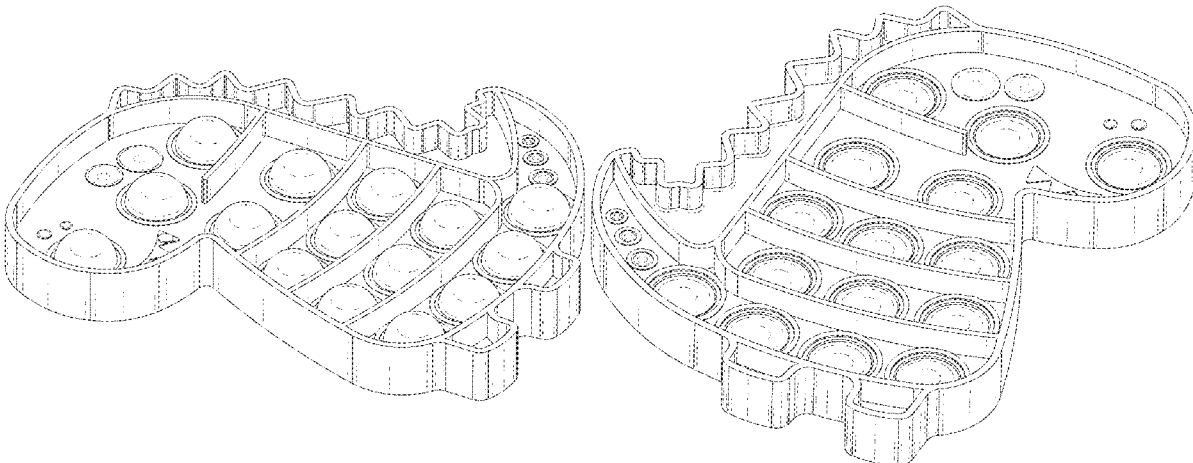
The ornamental design for a dinosaur fidget toy, as shown and described.

**DESCRIPTION**

FIG. 1 is a front perspective view of a dinosaur fidget toy, showing my new design;  
FIG. 2 is a rear perspective view thereof;  
FIG. 3 is a front view thereof;  
FIG. 4 is a rear view thereof;  
FIG. 5 is a left side view thereof;  
FIG. 6 is a right side view thereof;  
FIG. 7 is a top view thereof; and,  
FIG. 8 is a bottom view.

The broken line showing of the dinosaur fidget toy is for the purpose of illustrating portions of the article that forms no part of the claimed design.

**1 Claim, 8 Drawing Sheets**



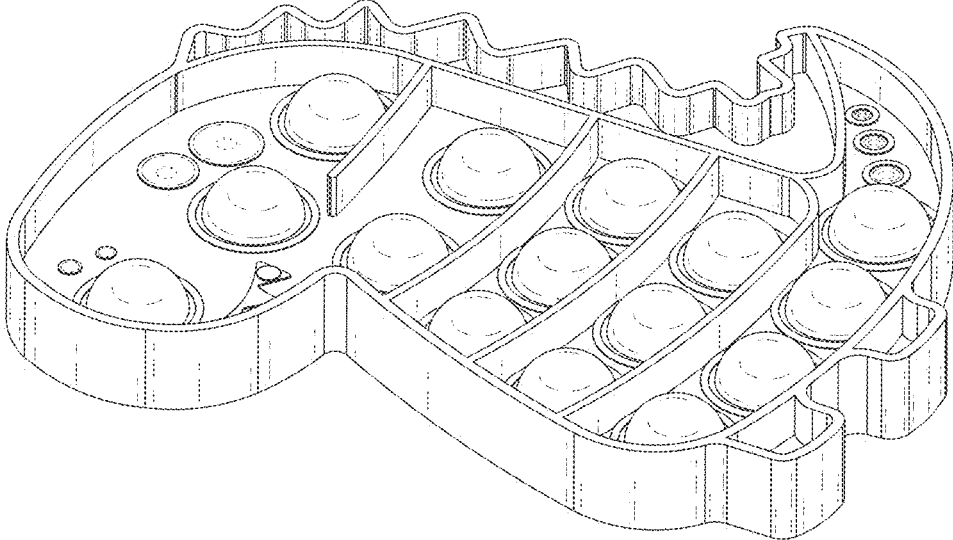


FIG. 1

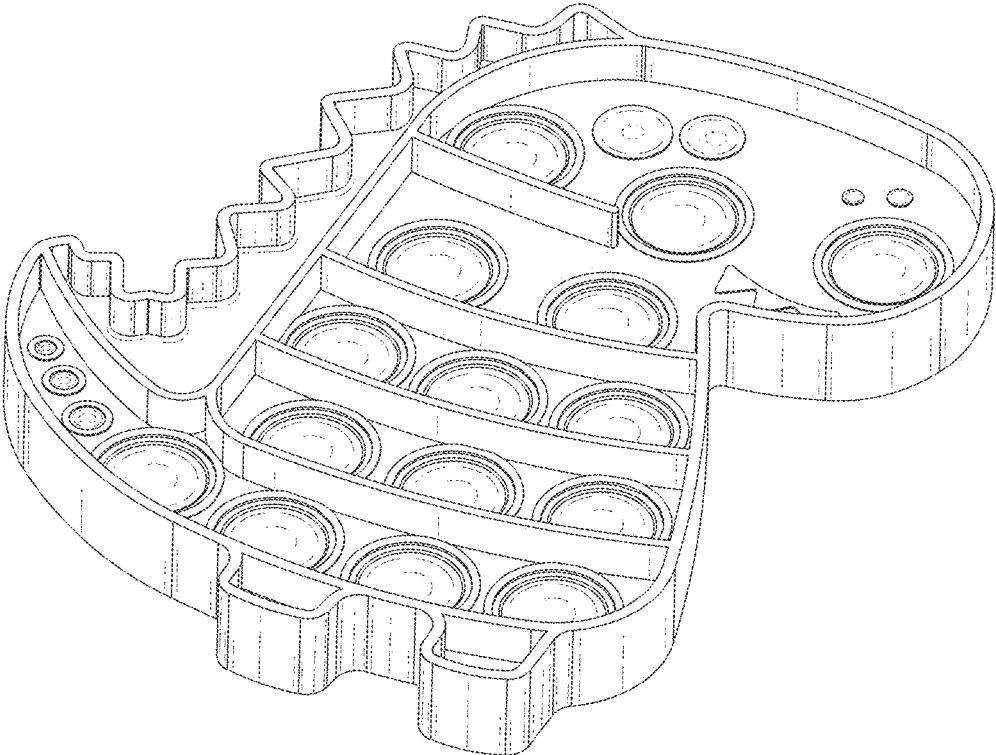


FIG. 2

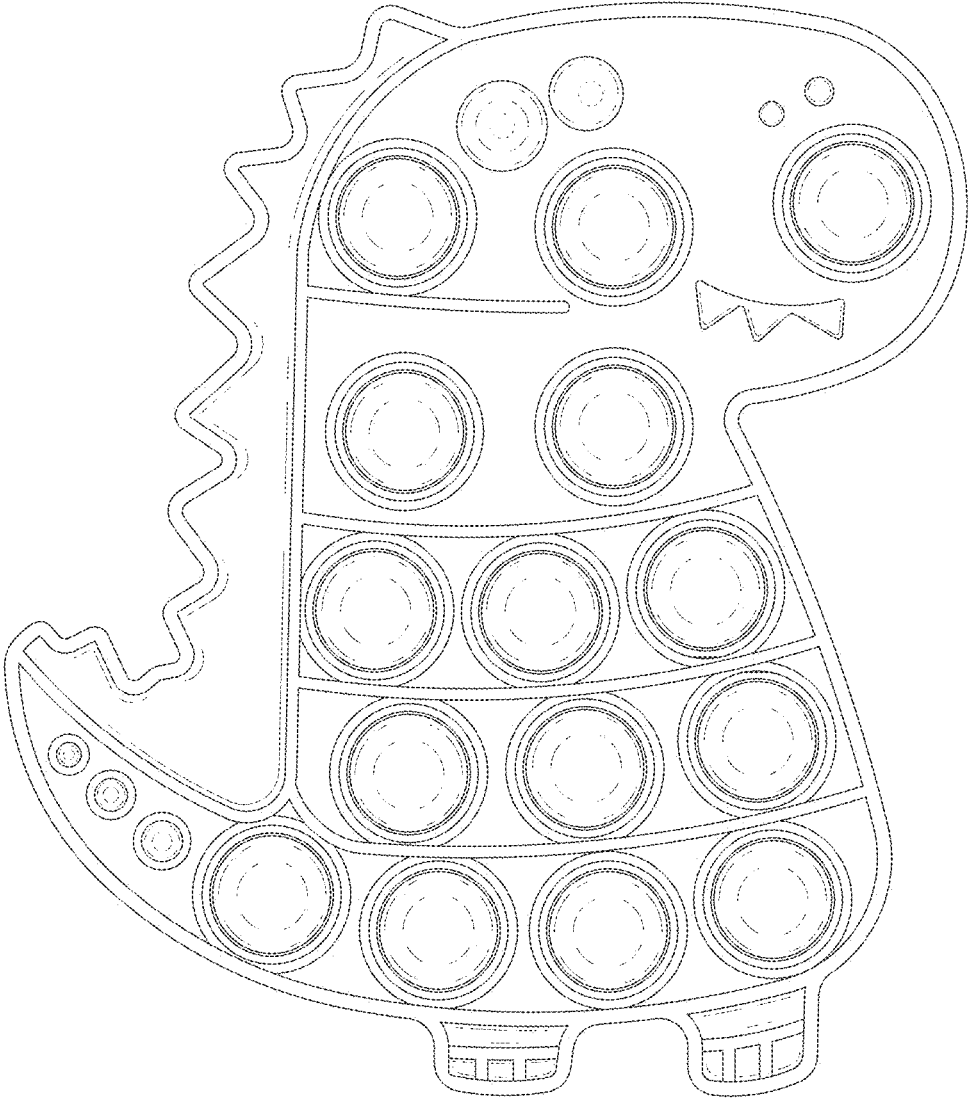


FIG. 3

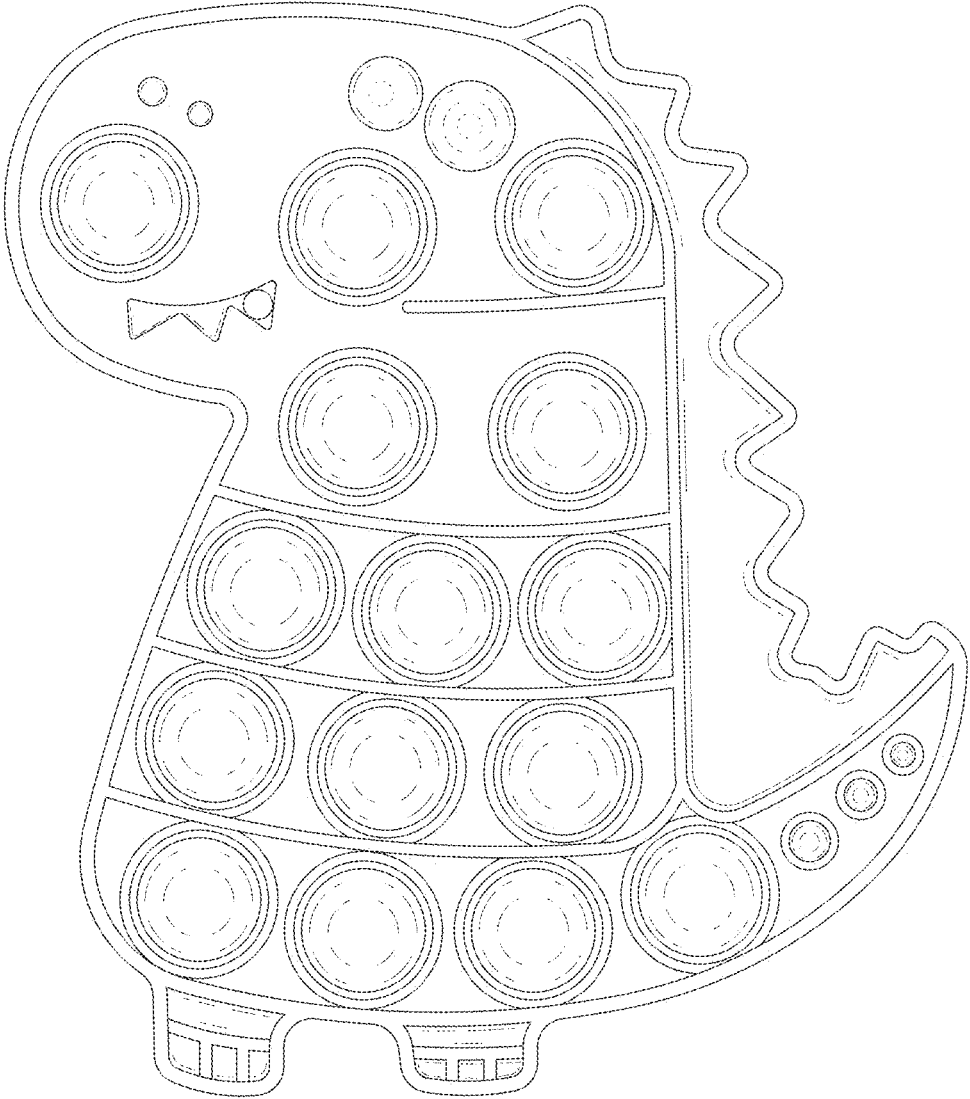


FIG. 4



FIG. 5



FIG. 6

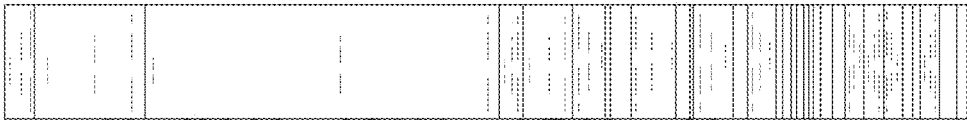


FIG. 7



FIG. 8