



US00D759472S

(12) **United States Design Patent**
Nehl

(10) **Patent No.:** **US D759,472 S**

(45) **Date of Patent:** **** Jun. 21, 2016**

(54) **WALL ANCHOR**

(71) Applicant: **fischerwerke GmbH & Co. KG**,
Waldachtal (DE)

(72) Inventor: **Wolfgang Nehl**, Waldachtal (DE)

(73) Assignee: **fischerwerke GmbH & Co. KG**,
Waldachtal (DE)

4,360,301 A * 11/1982 Mosberger F16B 13/124
411/73
4,642,009 A 2/1987 Fischer
4,861,206 A * 8/1989 Riedel F16B 13/02
411/36
4,921,383 A * 5/1990 Fischer F16B 13/124
411/72
5,312,215 A * 5/1994 Anquetin F16B 13/061
411/38

(Continued)

(**) Term: **14 Years**

FOREIGN PATENT DOCUMENTS

(21) Appl. No.: **29/517,891**

DE 102005018485 A1 * 4/2005 F16B 13/14
DE 202012100346 U1 * 5/2013 E21B 17/04

(22) Filed: **Feb. 18, 2015**

(Continued)

(30) **Foreign Application Priority Data**

OTHER PUBLICATIONS

Aug. 20, 2014 (EM) 002522052

fischer.de: fischer Duopower, image post date Unknown, site visited
on Oct. 9, 2015 (online), <<http://www.fischer.de/en/fischer-innovations/DUOPOWER/fischer-DUOPOWER>>.*

(51) **LOC (10) Cl.** **08-08**

(Continued)

(52) **U.S. Cl.**
USPC **D8/385**

(58) **Field of Classification Search**
USPC D8/382, 385, 387, 388, 383, 499
CPC F16B 13/124; F16B 13/04; F16B 13/045;
F16B 13/126; F16B 13/00; F16B 13/06;
F16B 13/12; F16B 13/001; F16B 13/08;
F16B 13/128; F16B 13/005; Y10S 411/908
See application file for complete search history.

Primary Examiner — Sheryl Lane
Assistant Examiner — Ieisha Price
(74) *Attorney, Agent, or Firm* — Renner, Otto, Boisselle &
Sklar, LLP

(57) **CLAIM**
The ornamental design for a wall anchor, as shown and
described.

(56) **References Cited**

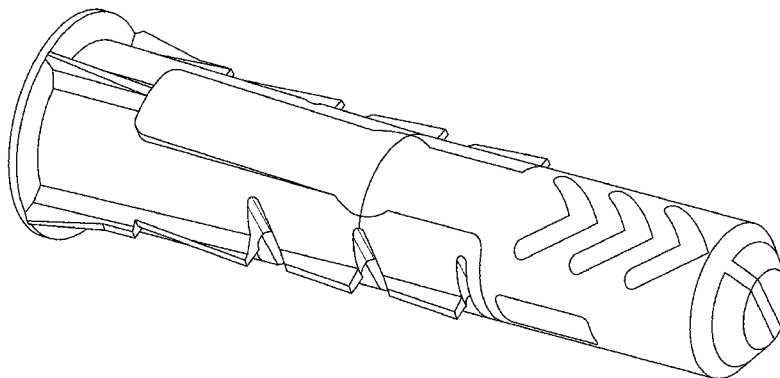
DESCRIPTION

U.S. PATENT DOCUMENTS

3,171,321 A * 3/1965 Fischer F16B 13/124
411/80.5
3,187,620 A * 6/1965 Fischer F16B 13/001
411/80.5
3,199,398 A * 8/1965 Weisz F16B 13/005
411/80.1
3,383,976 A * 5/1968 Schenkel F16B 13/001
411/62
3,516,324 A * 6/1970 Berner F16B 13/02
411/72
4,142,440 A * 3/1979 Schefer F16B 13/124
411/42

FIG. 1 is a perspective view of a wall anchor showing my new
design.
FIG. 2 is a front view thereof.
FIG. 3 is a rear view thereof.
FIG. 4 is a left side view thereof; and,
FIG. 5 is a top view thereof.
Right side and bottom views have been omitted since they are
identical to FIGS. 4 and 5, respectively.
The broken lines in the drawings illustrate portions of the wall
anchor and form no part of the claimed design.

1 Claim, 2 Drawing Sheets



(56)

References Cited

U.S. PATENT DOCUMENTS

5,352,066 A * 10/1994 Schaeffer E21D 20/025
 405/259.4
 D371,294 S * 7/1996 Anquetin D8/382
 6,558,094 B2 * 5/2003 Nehl F16B 13/061
 411/36
 6,837,658 B2 * 1/2005 Nehl F16B 13/124
 411/36
 2002/0122710 A1 9/2002 Nehl
 2002/0176761 A1 11/2002 Nehl
 2004/0170484 A1 * 9/2004 Pourtier F16B 13/126
 411/57.1
 2004/0202522 A1 * 10/2004 Cabrele F16B 13/061
 411/80.1
 2009/0220316 A1 * 9/2009 Burger F16B 13/001
 411/39

FOREIGN PATENT DOCUMENTS

EM 001074355-0001 1/2009
 EP 0 169 335 A2 6/1985
 EP 1 275 860 A1 1/2003

EP 1 183 475 B1 12/2004
 EP 1701046 A1 * 9/2006 F16B 13/045
 EP 2 119 920 A2 11/2009
 GB 455913 A * 10/1936 F16B 13/02
 GB 1141913 A * 5/1965 F16B 13/12
 WO WO 2011/098241 A1 8/2011

OTHER PUBLICATIONS

fischer.de: 2-component plug Duopower, image post date Unknown, site visited on Oct. 9, 2015 (online), <<http://www.fischer.de/en/Product-Range/General-fixings/2-component-plug-DUOPOWER>>.*
 “8 chevilles Universelles + vis a verrouillage de forme Red Head, 6x37mm”, <<http://www.leroymerlin.fr/v3/p/produits/8-chevilles-universelles-vis-a-verrouillage-de-forme-red-head-6-x-37mm-e1400138838>> [retrieved on Feb. 13, 2015].
 “Fischer Universaldubel UX”, fischer Befestigungssysteme, Hauptkatalog 2002, <http://www.fischer.de/Home/Produkte/Produktkategorie.aspx/cpage-details/pcategory-1000998530/usetemplate-productdetails/>.
 “Fischer-Universaldubel FU”, fischerdubel, Neuheiten 1985.
 “Fischer XS—eine Klasse für sich” and “fischer FH—packt doppelt zu”, Befestigungstechnik von ihrer, innovativsten Seite, 1999.

* cited by examiner

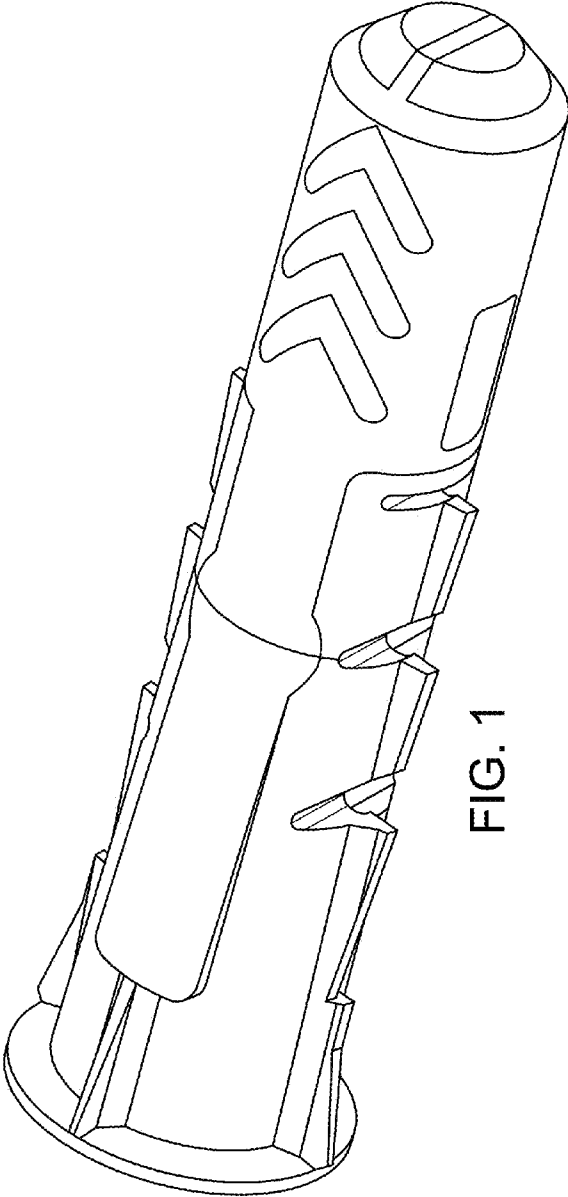


FIG. 1

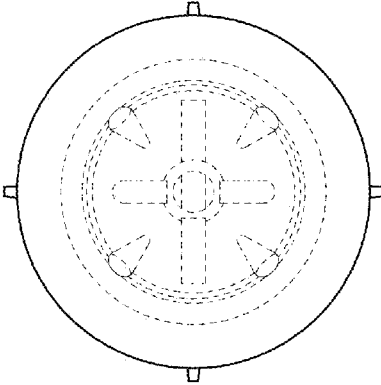


FIG. 3

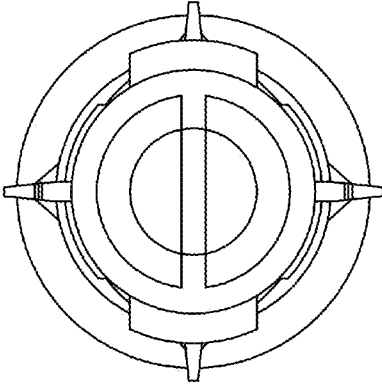


FIG. 2

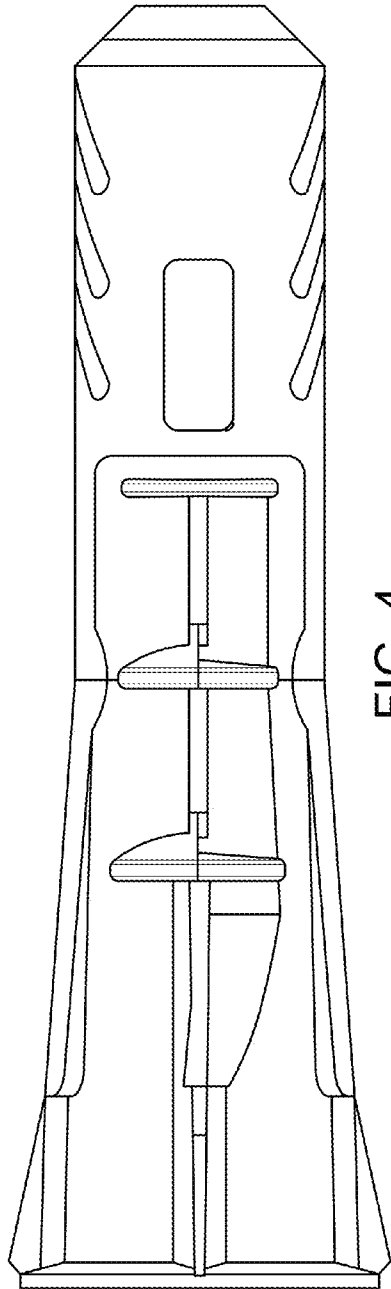


FIG. 4

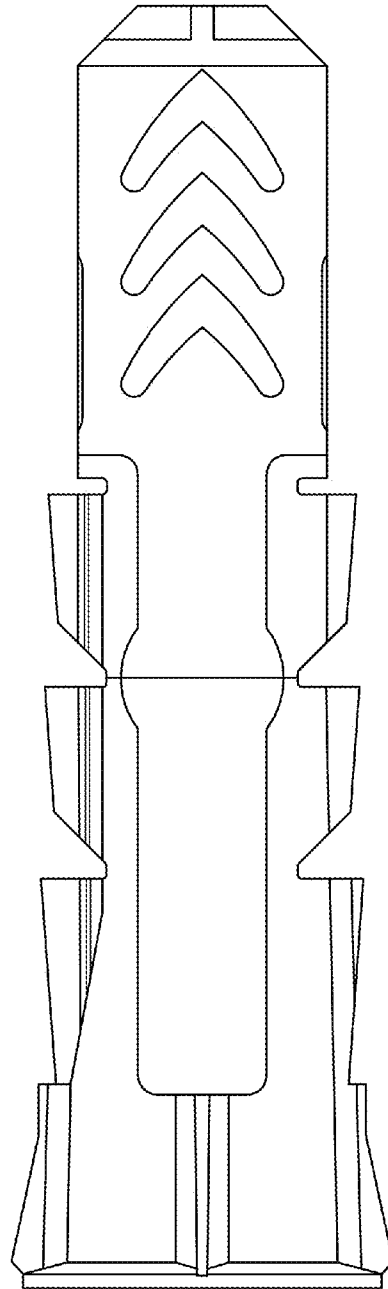


FIG. 5