



(12) **United States Design Patent**
Zhang

(10) **Patent No.:** **US D999,965 S**
(45) **Date of Patent:** **** Sep. 26, 2023**

- (54) **OUTDOOR WALL LIGHT**
 - (71) Applicant: **Minfeng Zhang**, Fuzhou (CN)
 - (72) Inventor: **Minfeng Zhang**, Fuzhou (CN)
 - (**) Term: **15 Years**
 - (21) Appl. No.: **29/833,946**
 - (22) Filed: **Apr. 8, 2022**
 - (51) **LOC (14) Cl.** **26-05**
 - (52) **U.S. Cl.**
USPC **D26/87**
 - (58) **Field of Classification Search**
USPC D26/67, 72, 85-90, 92
CPC F21S 8/00; F21S 8/03; F21S 8/033; F21S 8/036; F21S 9/03; F21S 9/037; F21W 2111/027; F21W 2131/107; F21W 2131/109
- See application file for complete search history.

Primary Examiner — W. A. Teddy Falloway
Assistant Examiner — Melissa Adriane Santos
 (74) *Attorney, Agent, or Firm* — Jose Cherson Weissbrot

(57) **CLAIM**

The ornamental design for an outdoor wall light, as shown and described.

DESCRIPTION

FIG. 1 is a perspective view of an outdoor wall light, showing the first embodiment of my new design; FIG. 2 is a second perspective view thereof; FIG. 3 is a front elevation view thereof, the rear elevation view being a mirror image thereof; FIG. 4 is a left elevation view thereof; FIG. 5 is a right elevation view thereof; FIG. 6 is a top plan view thereof; FIG. 7 is a bottom plan view thereof; FIG. 8 is a partial enlarged view of FIG. 1; FIG. 9 is a partial enlarged view of FIG. 3; FIG. 10 is a perspective view of an outdoor wall light, showing the second embodiment of my new design; FIG. 11 is a second perspective view thereof; FIG. 12 is a front elevational view thereof, the rear elevation view being a mirror image thereof; FIG. 13 is a left elevation view thereof; FIG. 14 is a right elevation view thereof; FIG. 15 is a top plan view thereof; FIG. 16 is a bottom plan view thereof; FIG. 17 is a partial enlarged view of FIG. 10; and, FIG. 18 is a partial enlarged view of FIG. 12. Broken lines in FIGS. 1, 3, 8-10, 12, 17 and 18 represent boundaries of the enlarged views. All other broken lines illustrate portions of the outdoor wall light. The broken lines form no part of the claimed design.

(56) **References Cited**

U.S. PATENT DOCUMENTS

D292,531 S *	10/1987	Van Deelen	D26/92
D383,239 S *	9/1997	Porter	D26/87
D425,236 S *	5/2000	Porter	D26/86
D465,871 S	11/2002	Hoernig		
D473,001 S	4/2003	Hoernig		
D473,004 S	4/2003	Hoernig		
D488,580 S *	4/2004	Hsu	D26/92
D492,442 S	6/2004	Hoernig		
6,799,869 B1 *	10/2004	Beadle	F21V 31/00 362/267
D514,246 S	1/2006	Hoernig		
D539,461 S	3/2007	Deron		
D571,034 S	6/2008	Goetz-Schaefer		
D590,977 S *	4/2009	Mullen	D26/62

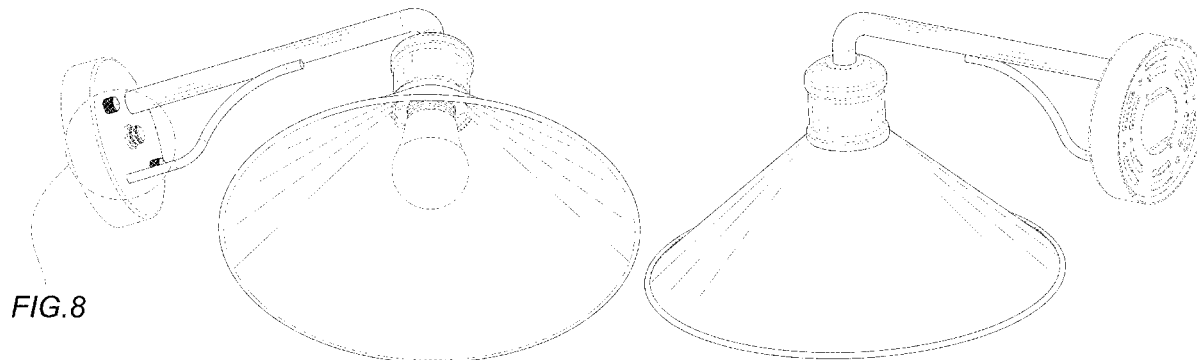
(Continued)

OTHER PUBLICATIONS

Victogate, Outdoor Wall Light. First available Apr. 30, 2021. Searched on Feb. 27, 2023. [<https://www.amazon.com/dp/B091335JWT/>] (Year: 2021).*

(Continued)

1 Claim, 16 Drawing Sheets



(56)

References Cited

U.S. PATENT DOCUMENTS

7,988,327 B1 * 8/2011 Knoble F21V 3/0615
 362/249.02
 D663,463 S * 7/2012 Lee D26/68
 D672,895 S * 12/2012 Guercio D26/62
 D693,954 S 11/2013 Keng
 D739,589 S * 9/2015 Macura D26/67
 D800,940 S * 10/2017 Guzzini D26/70
 D816,883 S * 5/2018 Mou D26/92
 D822,259 S 7/2018 Fang
 D829,360 S * 9/2018 Mou D26/87
 D851,810 S * 6/2019 Workman D26/88
 D861,954 S 10/2019 Zhang
 D868,333 S * 11/2019 Li D26/88
 D888,319 S * 6/2020 Amato D26/87
 D952,925 S * 5/2022 Li D26/88
 D955,610 S * 6/2022 Diez D26/85
 D957,715 S * 7/2022 Knauff D26/88

D966,594 S * 10/2022 Qiu D26/85
 D972,182 S * 12/2022 Liu D26/62
 D982,215 S * 3/2023 Hoover D26/87
 D982,808 S * 4/2023 Zhang D26/87

OTHER PUBLICATIONS

Ptrworoa, Outdoor Barn Light. First available Oct. 8, 2021. Searched on Feb. 27, 2023. [<https://www.amazon.com/dp/B09HYK3PL/>] (Year: 2021).*

Untrammelife, Gooseneck Barn Light. First available May 26, 2020. Searched on Feb. 27, 2023. [<https://www.amazon.com/dp/B0895N215W/>] (Year: 2020).*

Lenarinter, Outdoor Lighting Fixture. First available Aug. 17, 2021. Searched on Feb. 27, 2023. [<https://www.amazon.com/Lighting-Farmhouse-Security-Anti-Rust-Entryways/dp/B09L7KZ9CQ/>] (Year: 2021).*

* cited by examiner

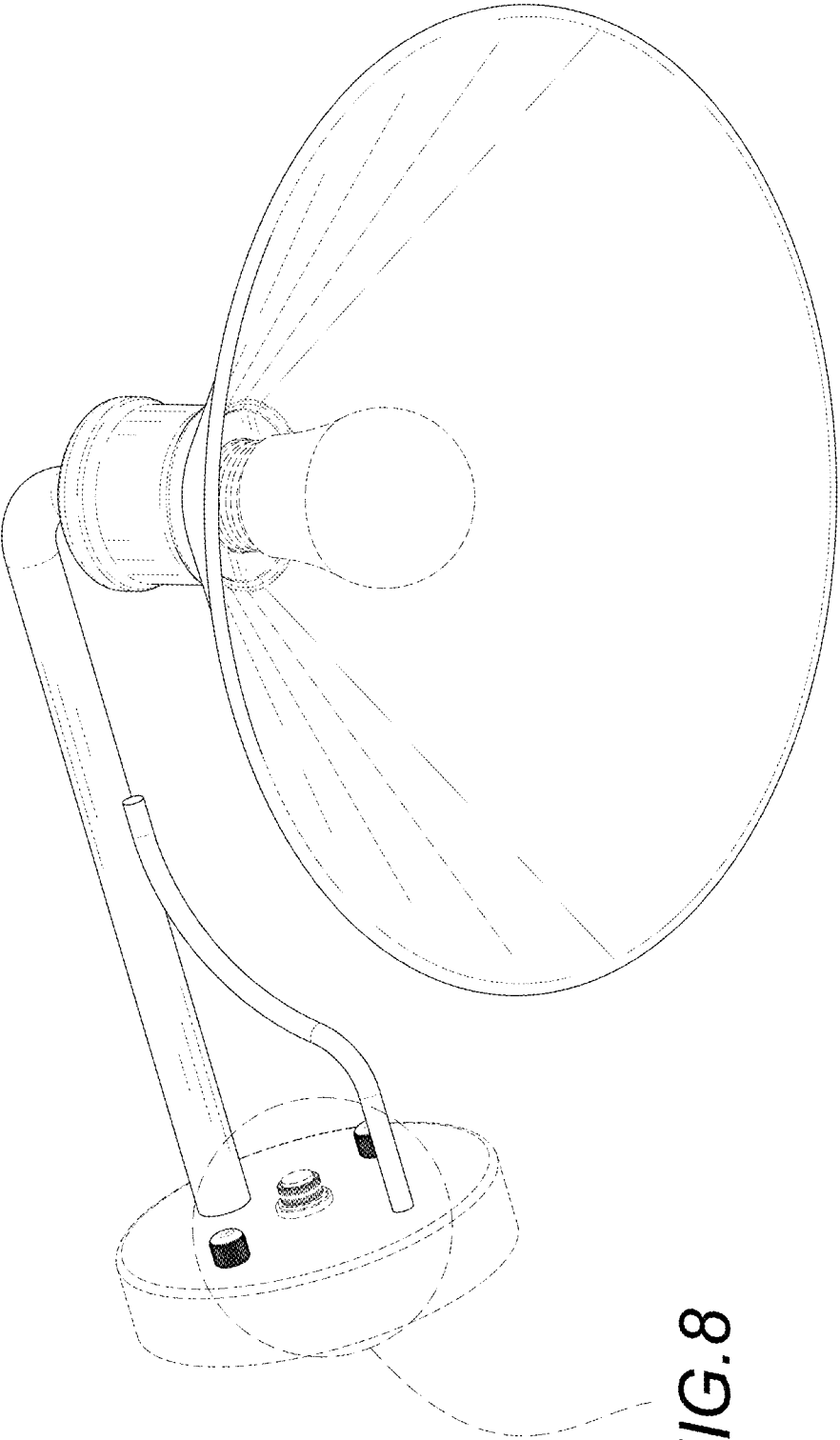


FIG. 1

FIG. 8

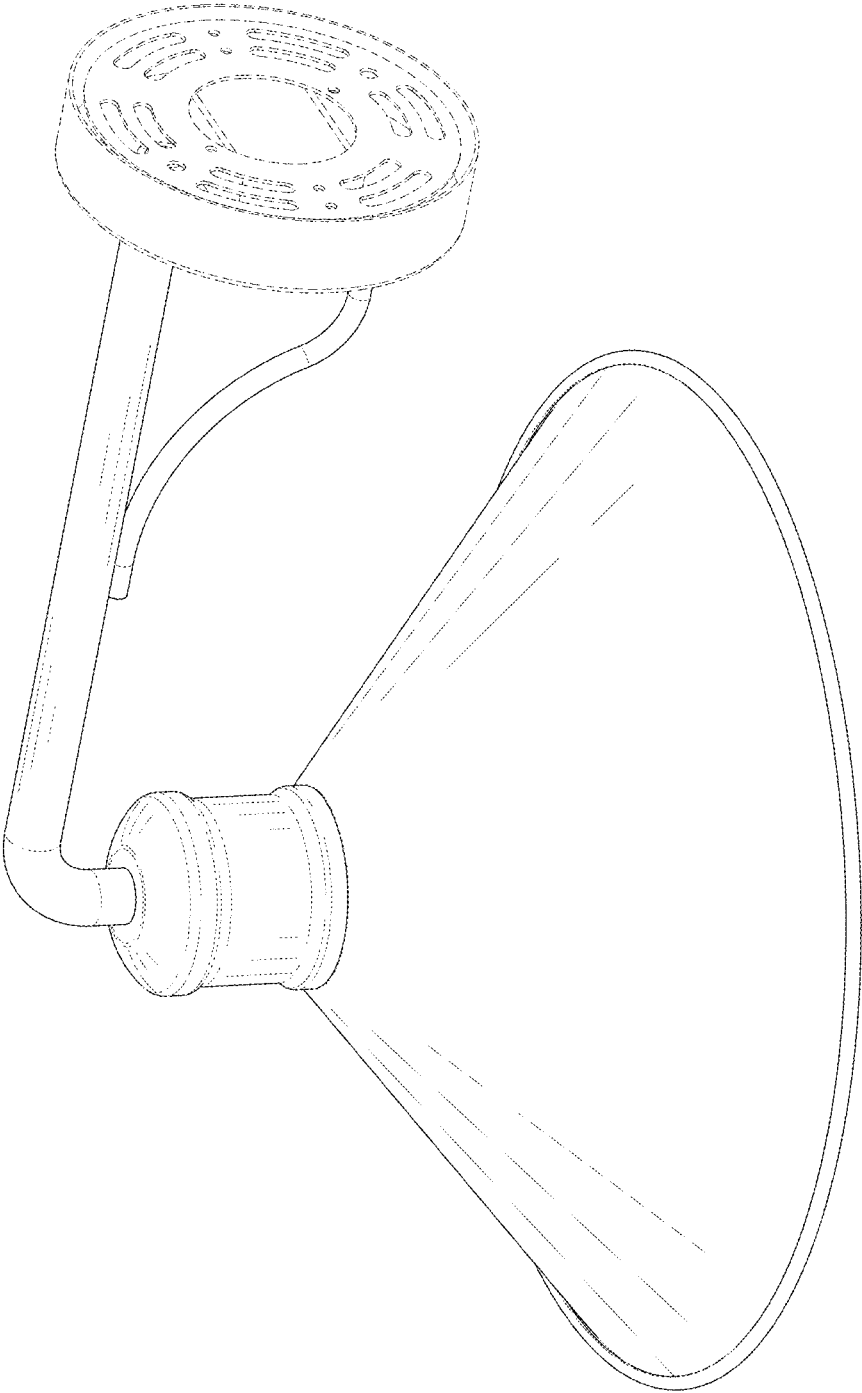


FIG. 2

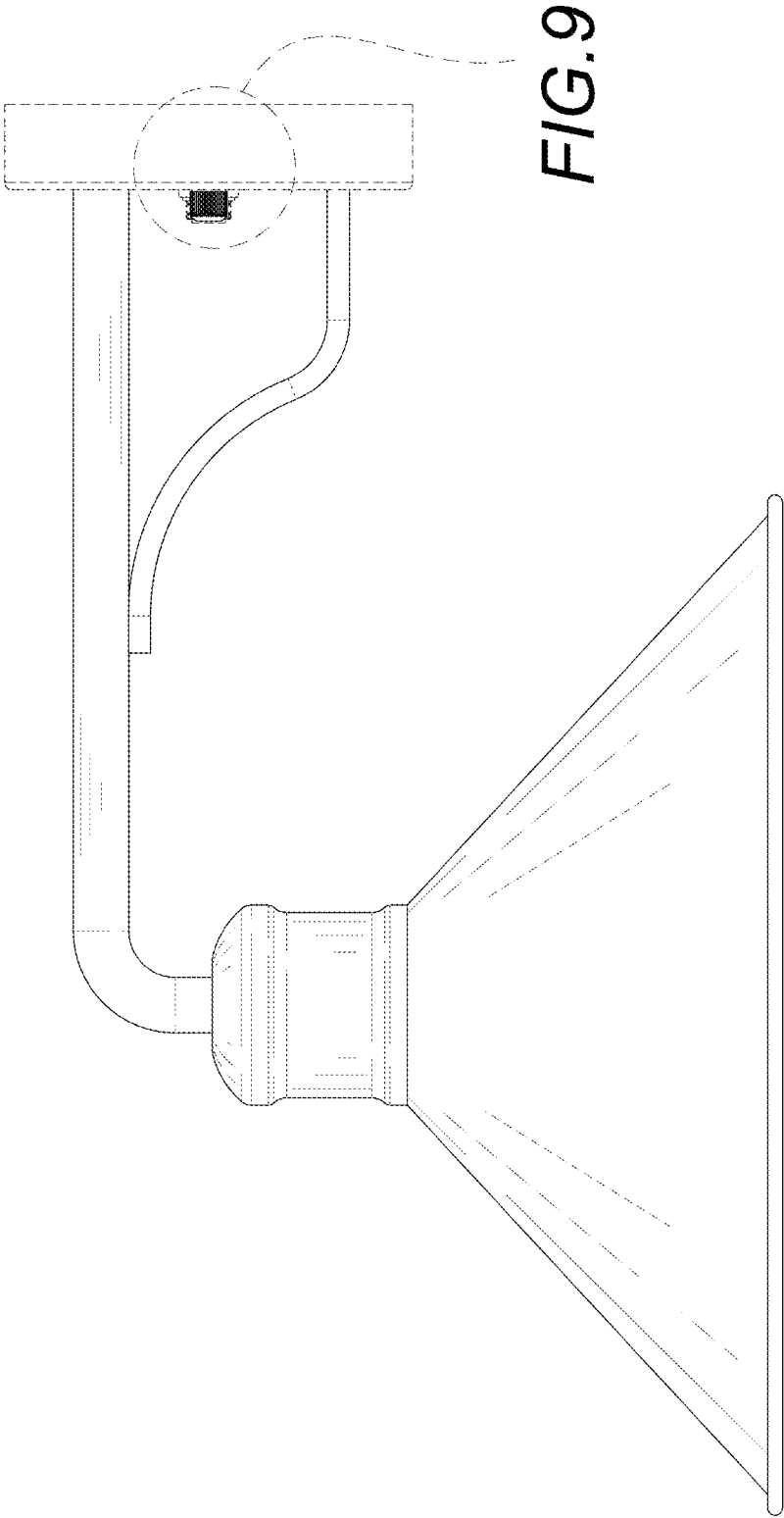


FIG. 9

FIG. 3

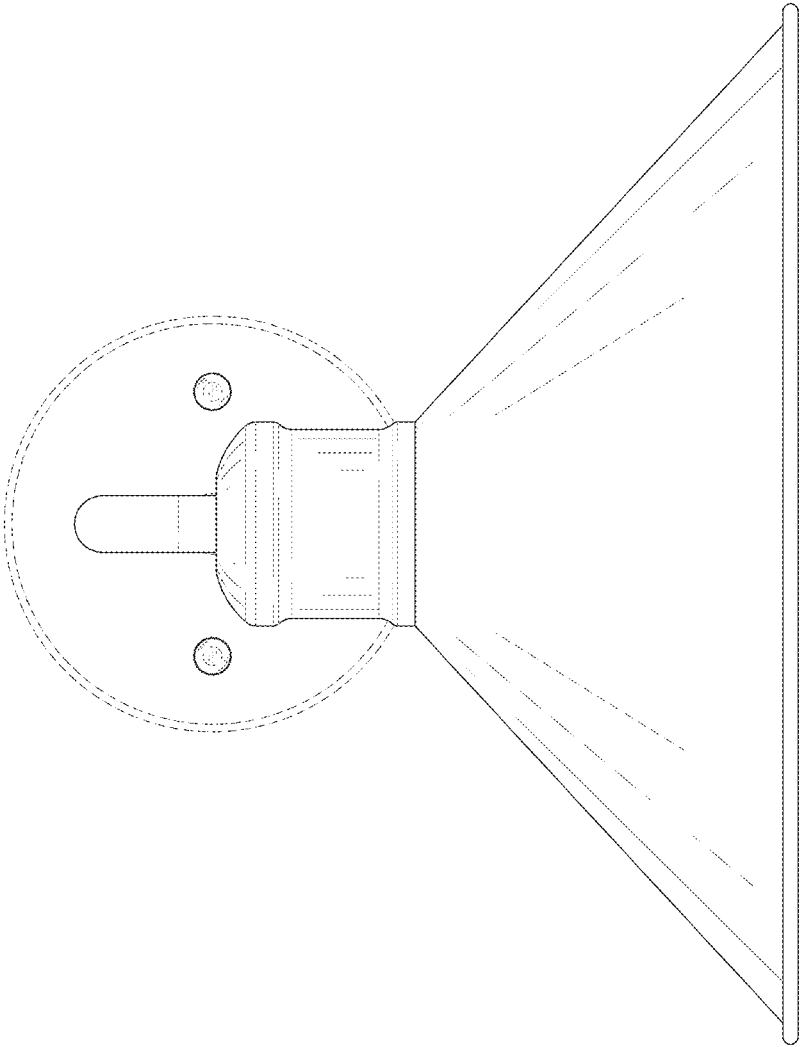


FIG.4

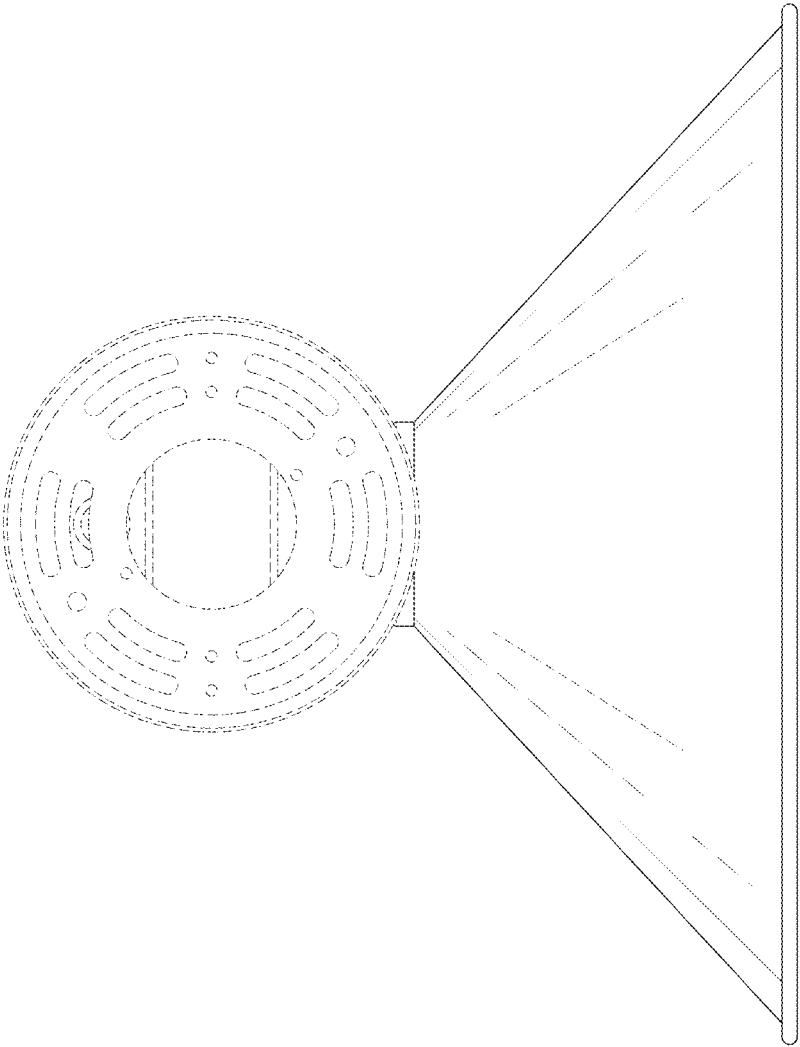


FIG. 5

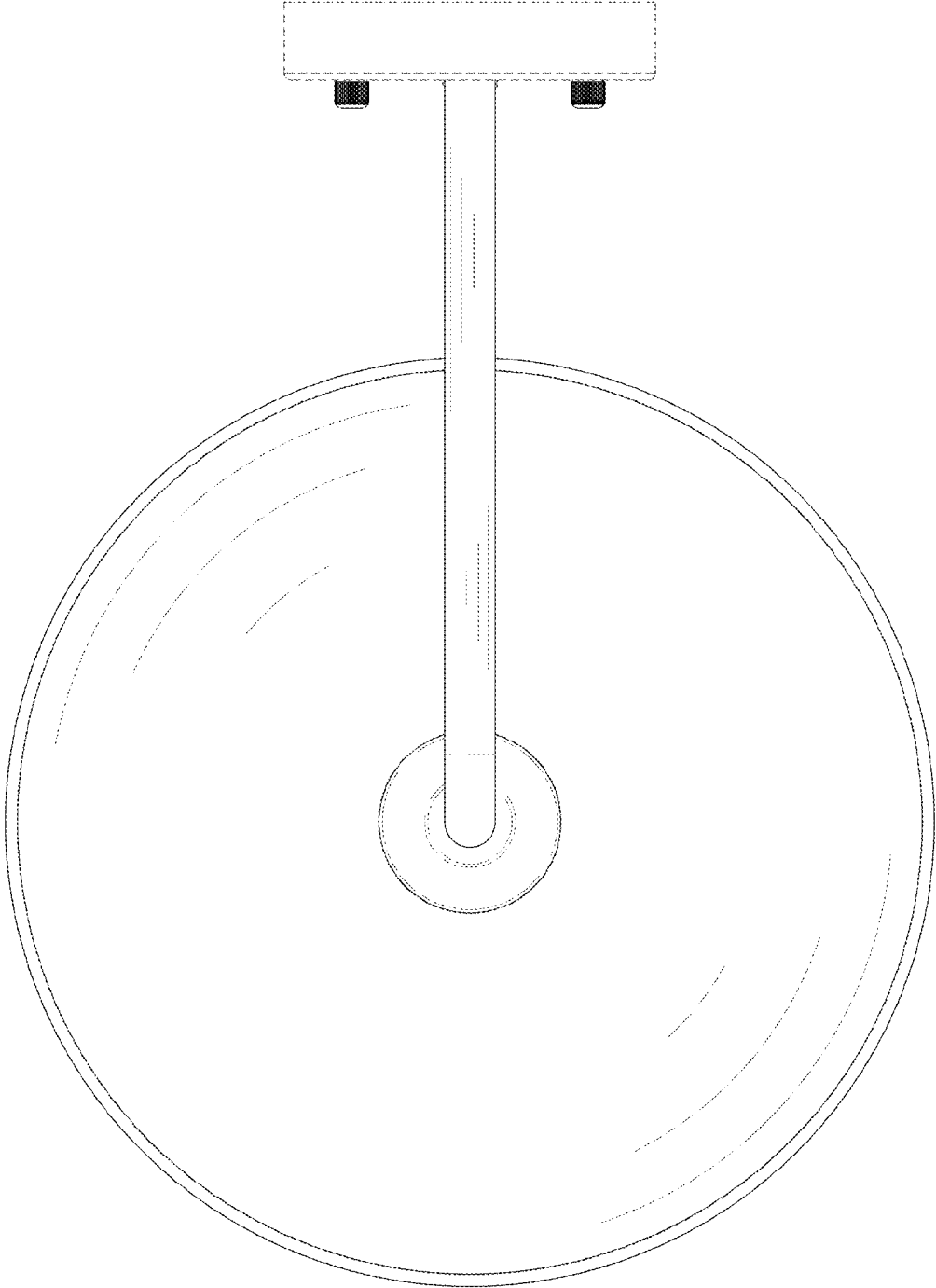


FIG. 6

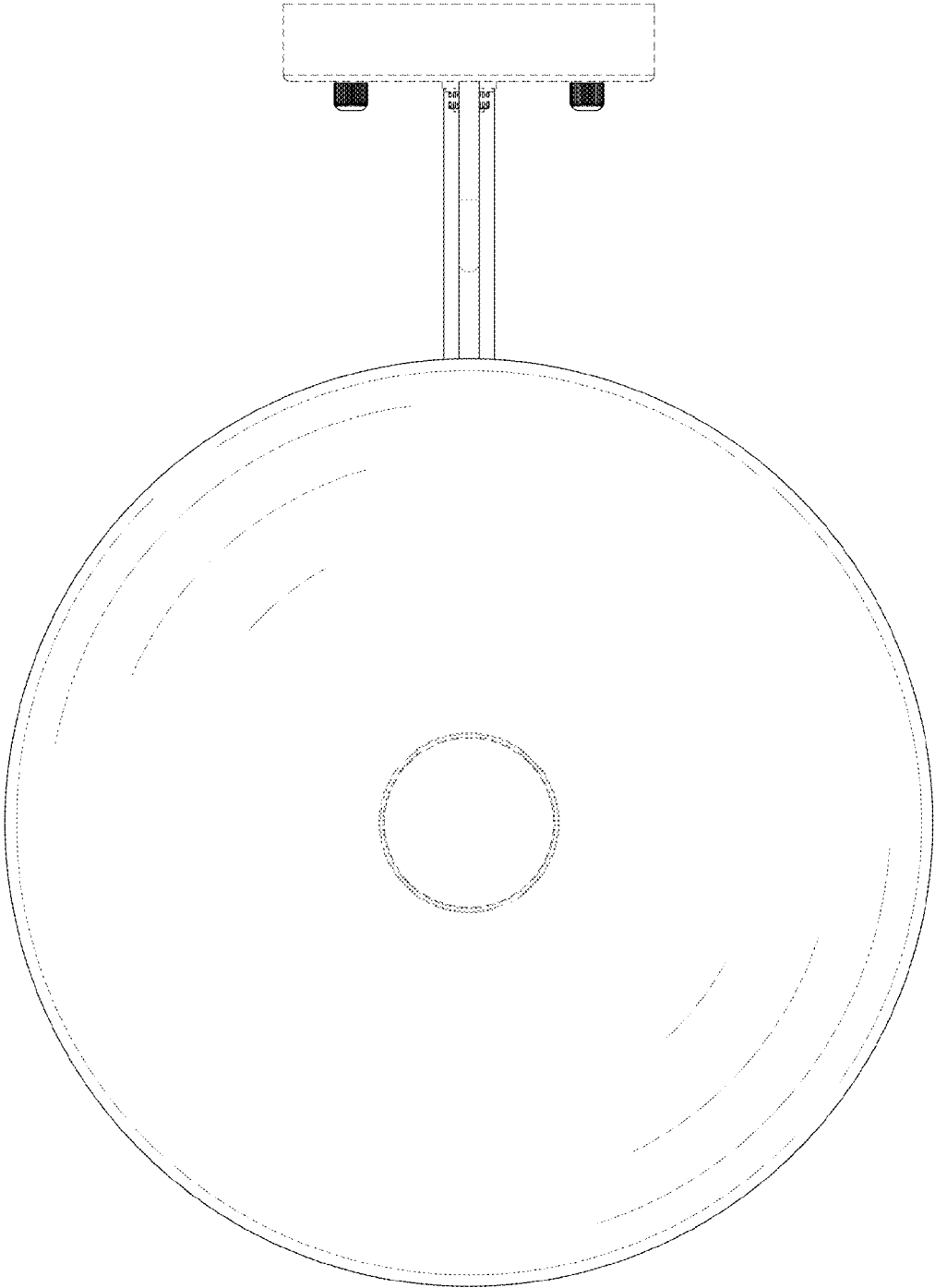


FIG. 7

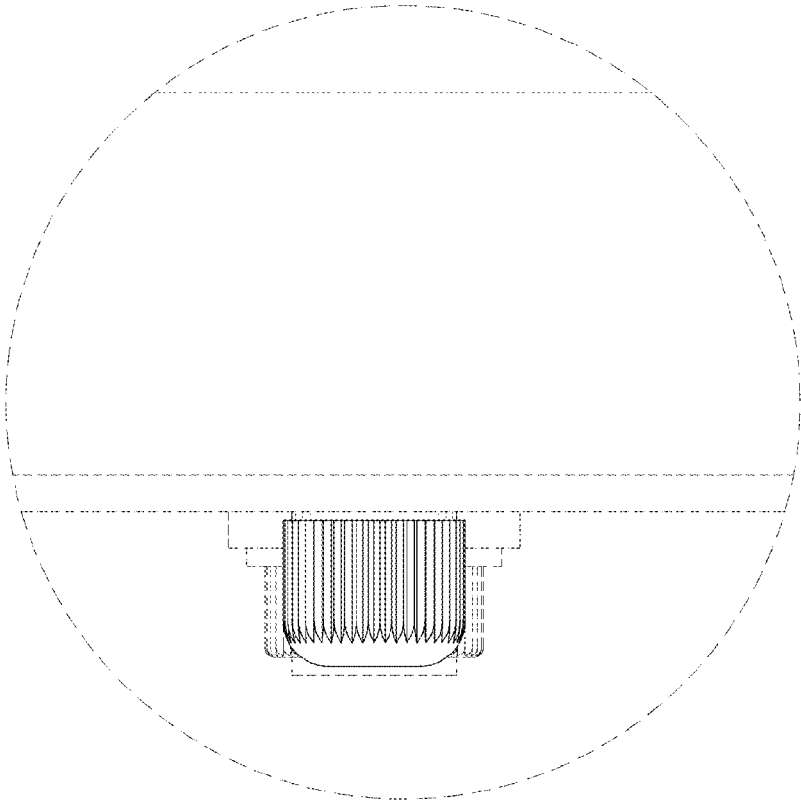


FIG. 9

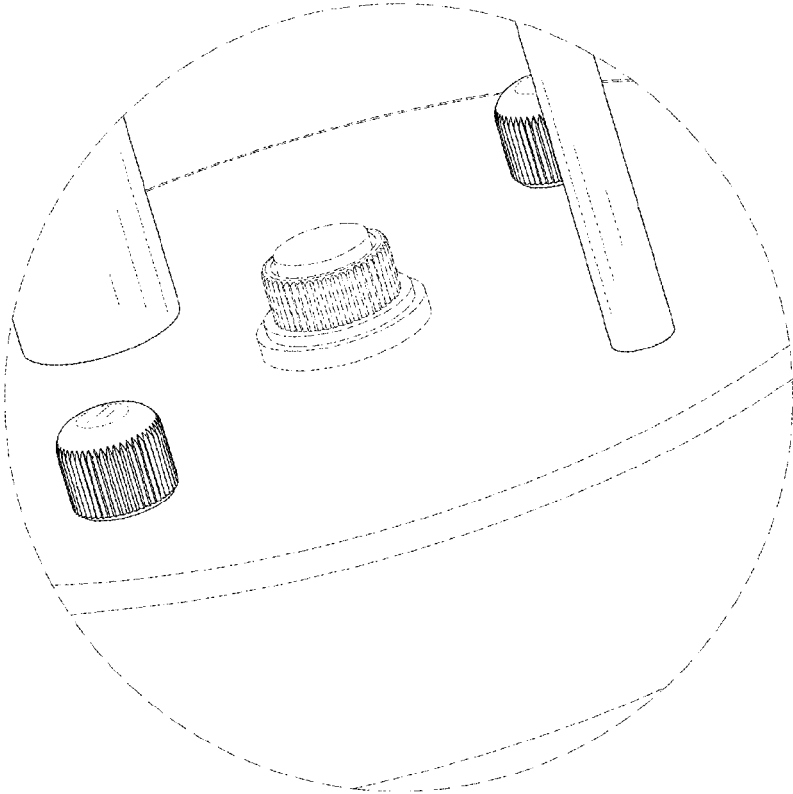


FIG. 8

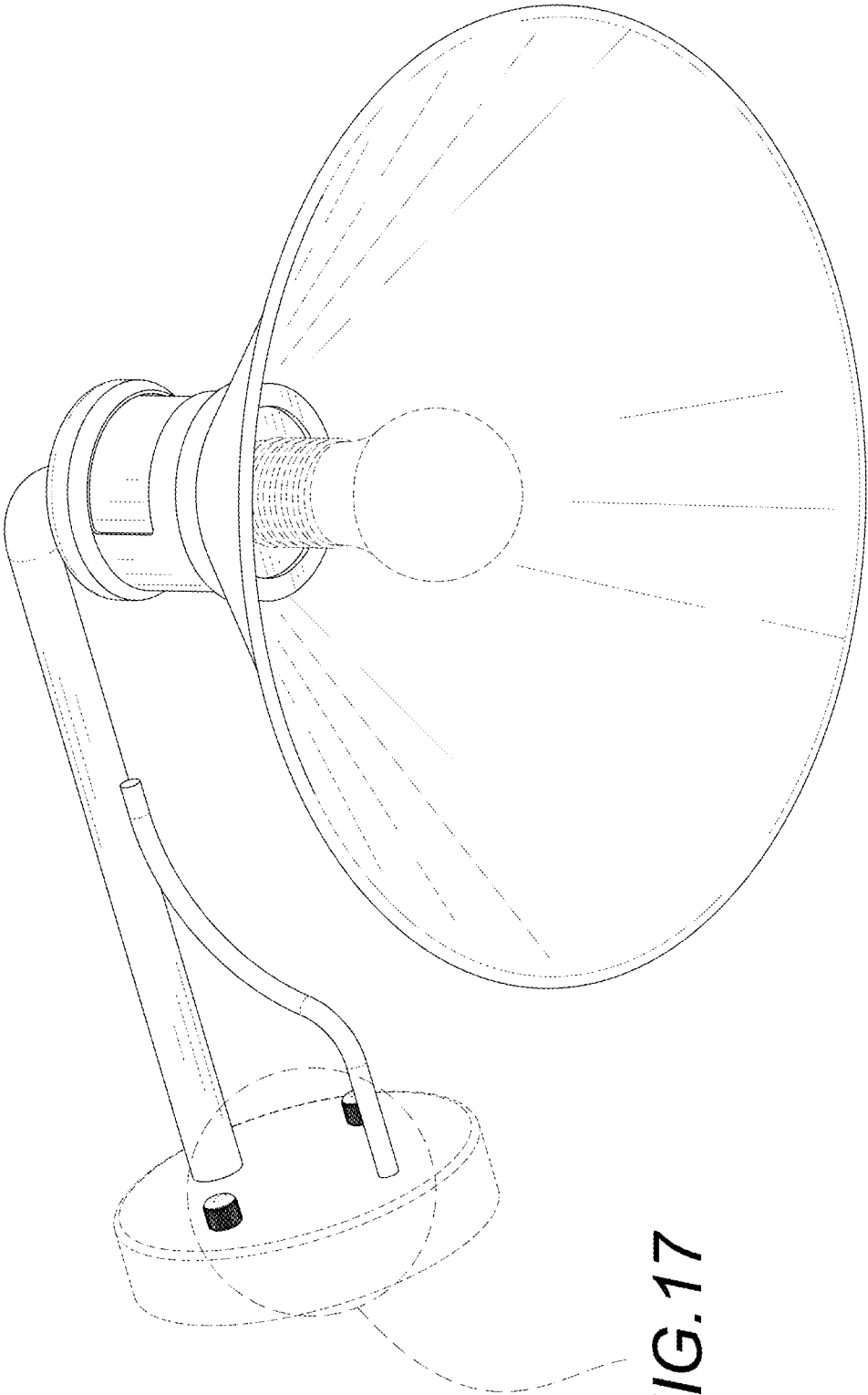


FIG. 10

FIG. 17

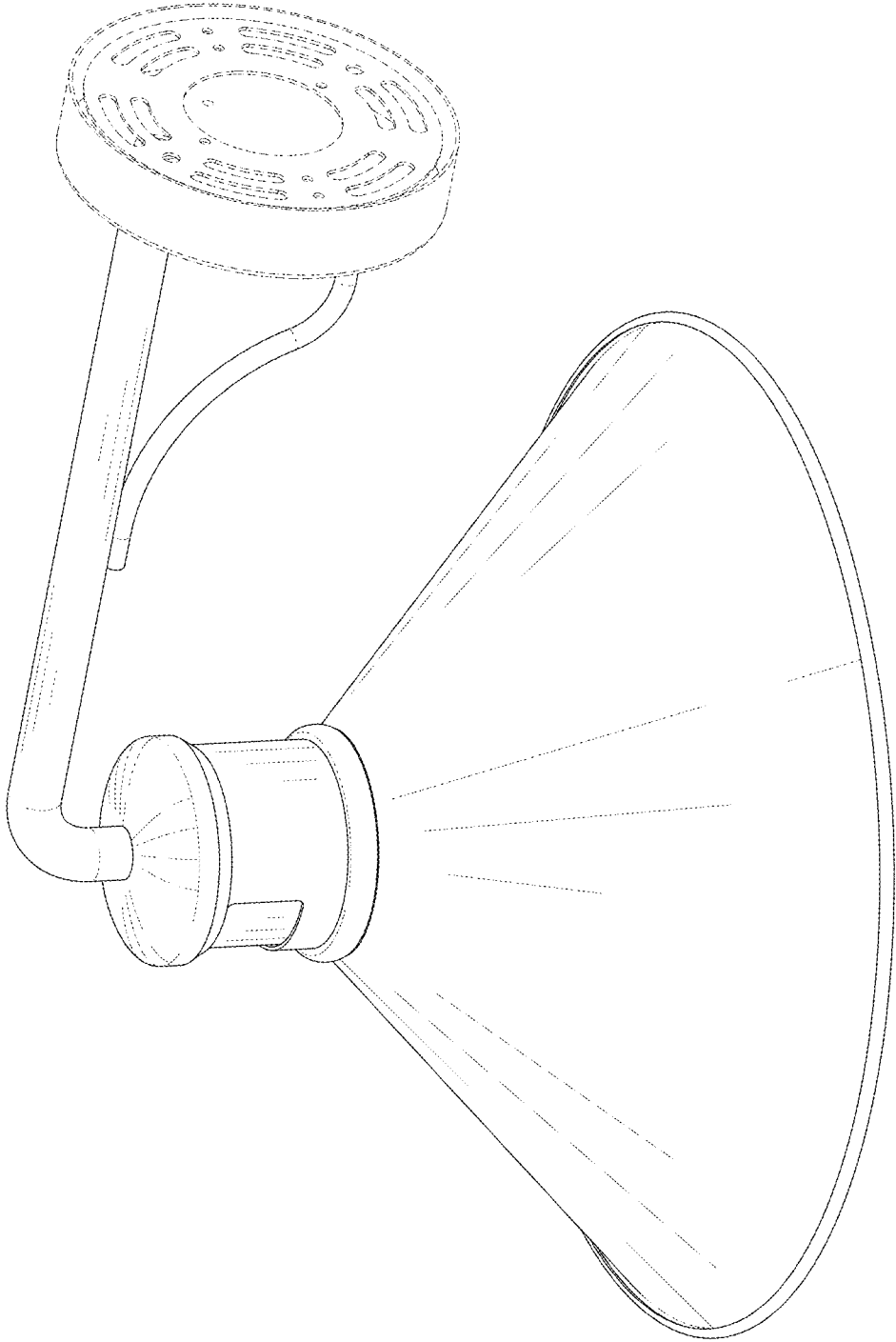


FIG. 11

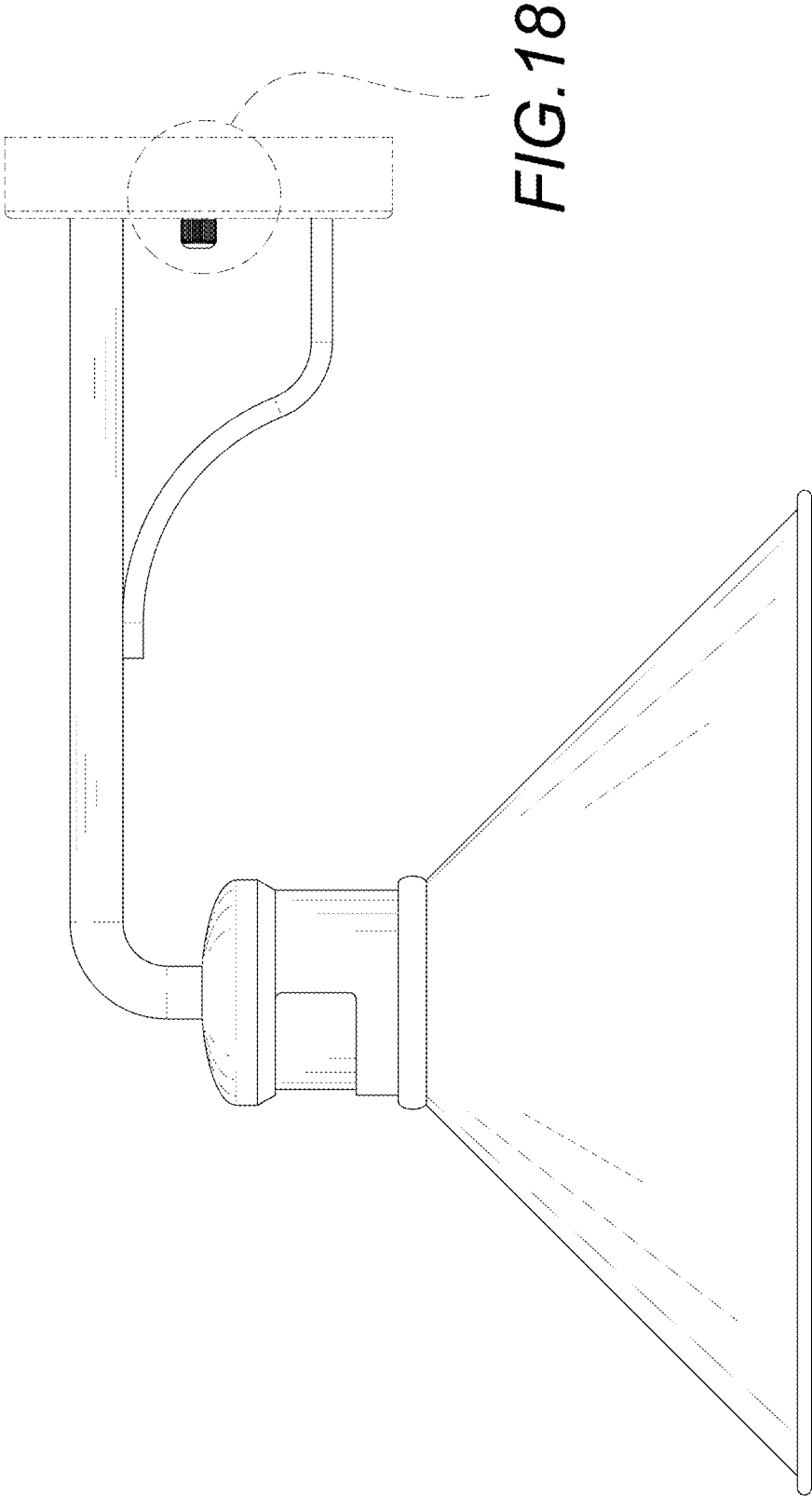


FIG.18

FIG.12

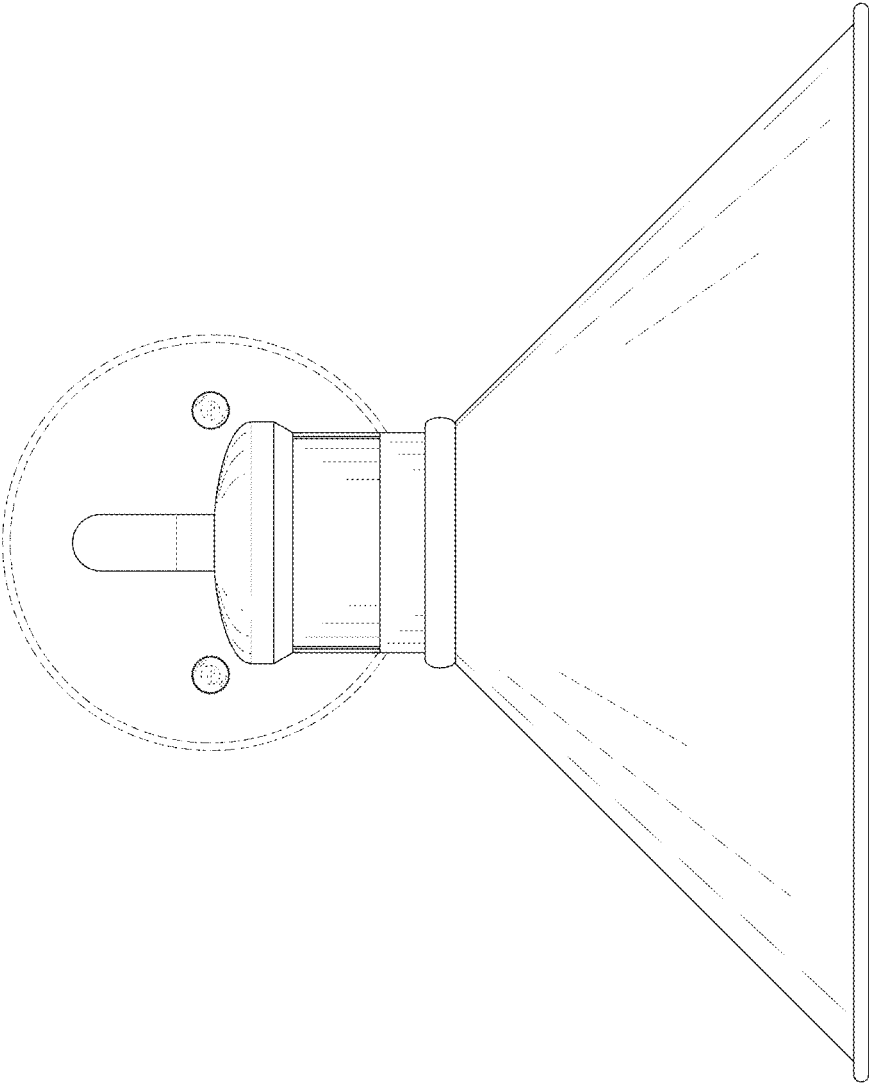


FIG. 13

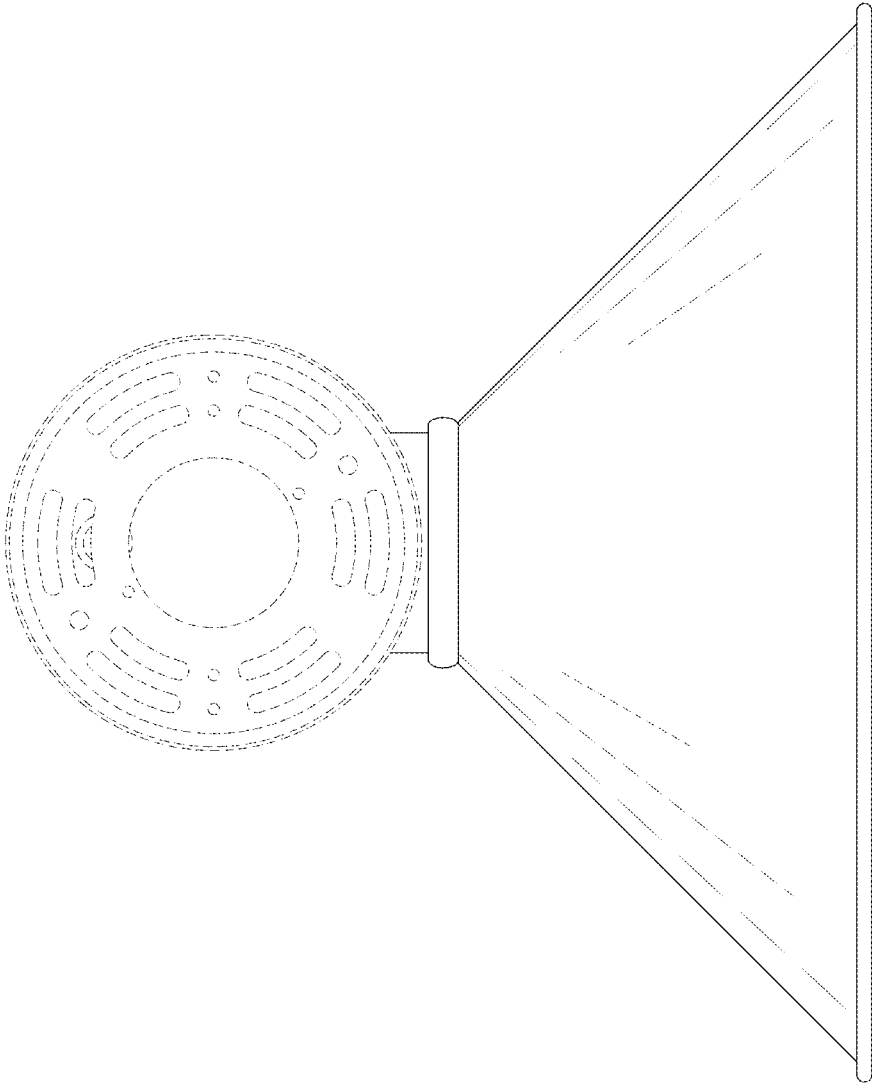


FIG. 14

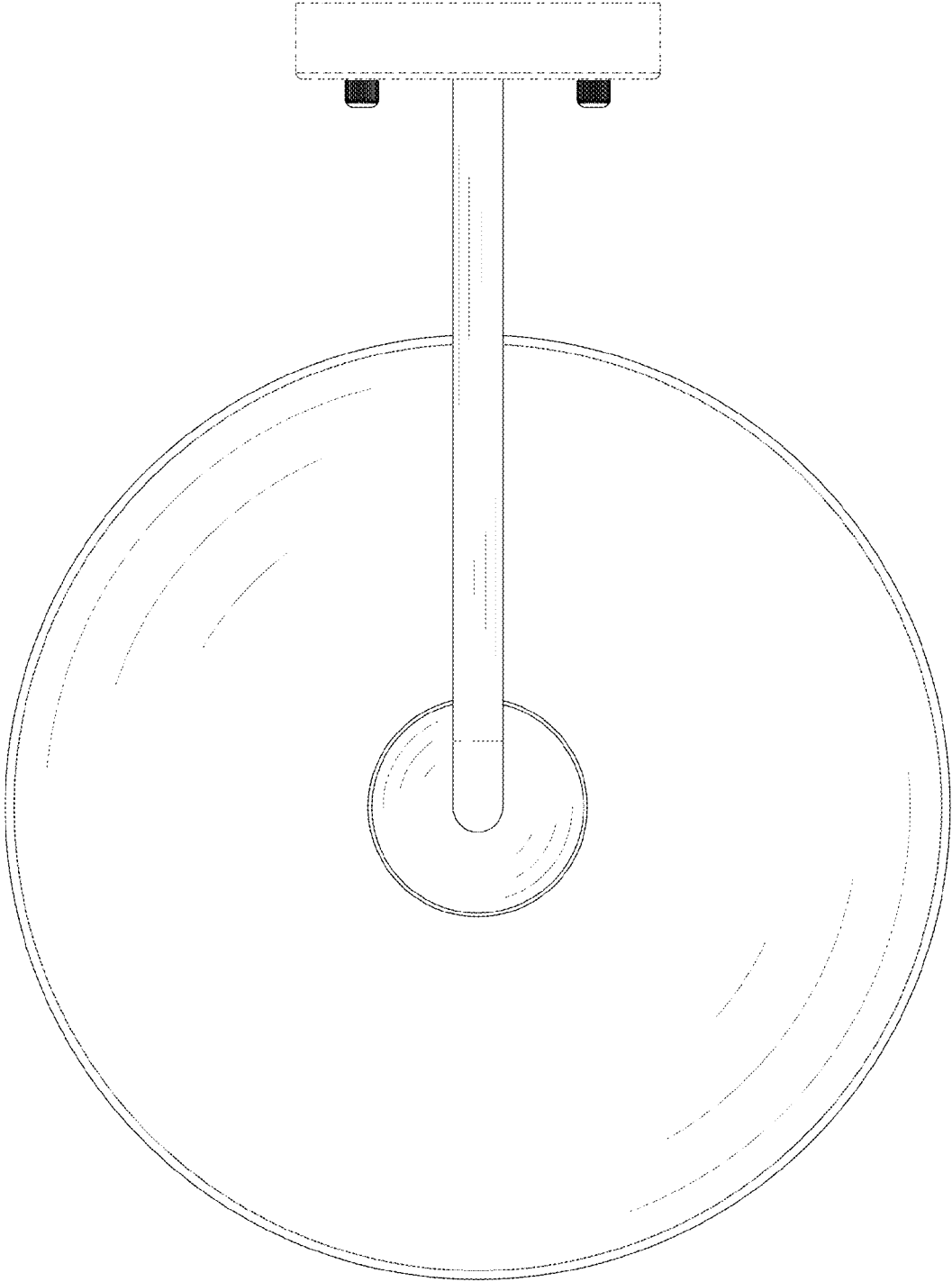


FIG. 15

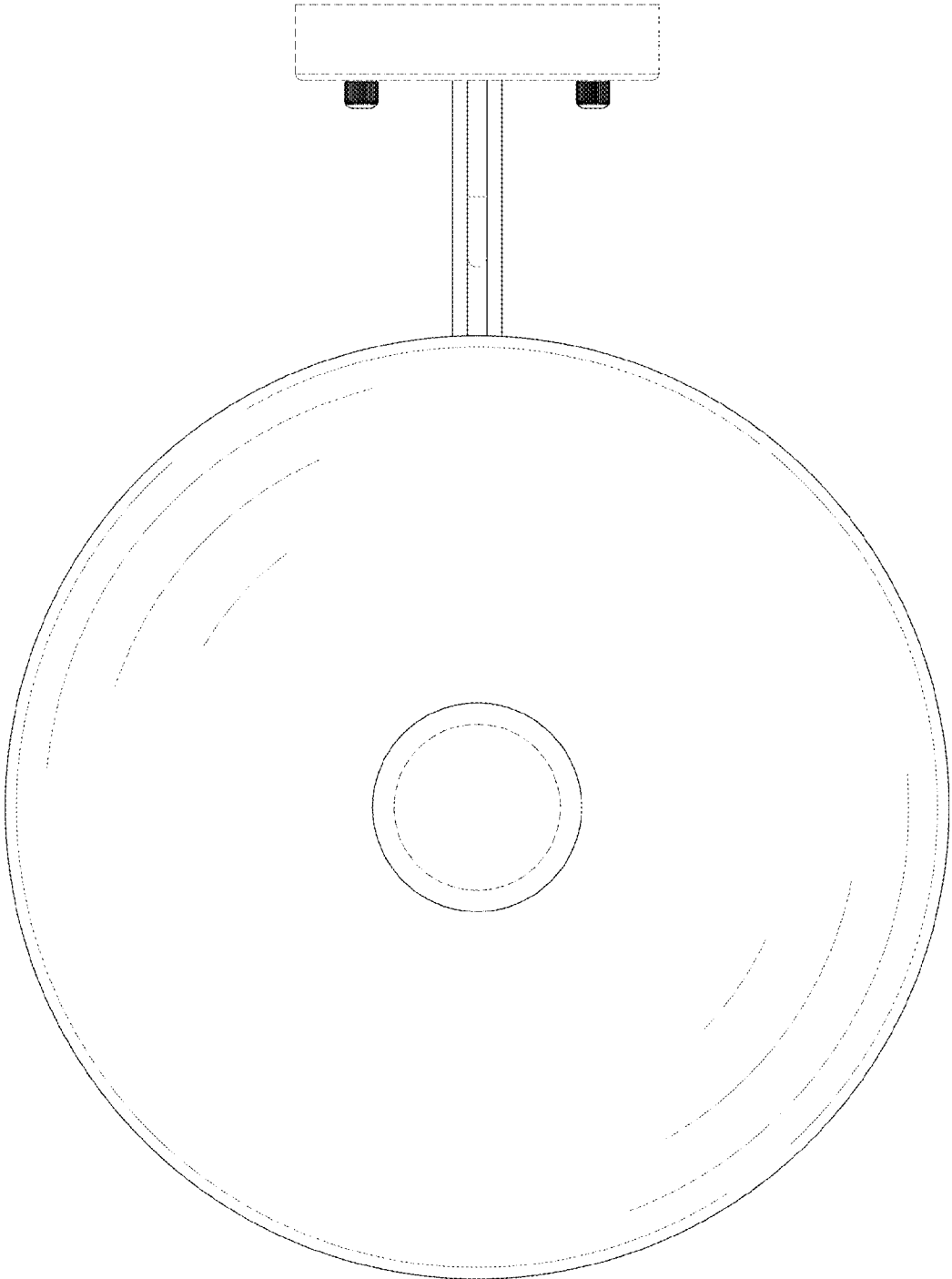


FIG. 16

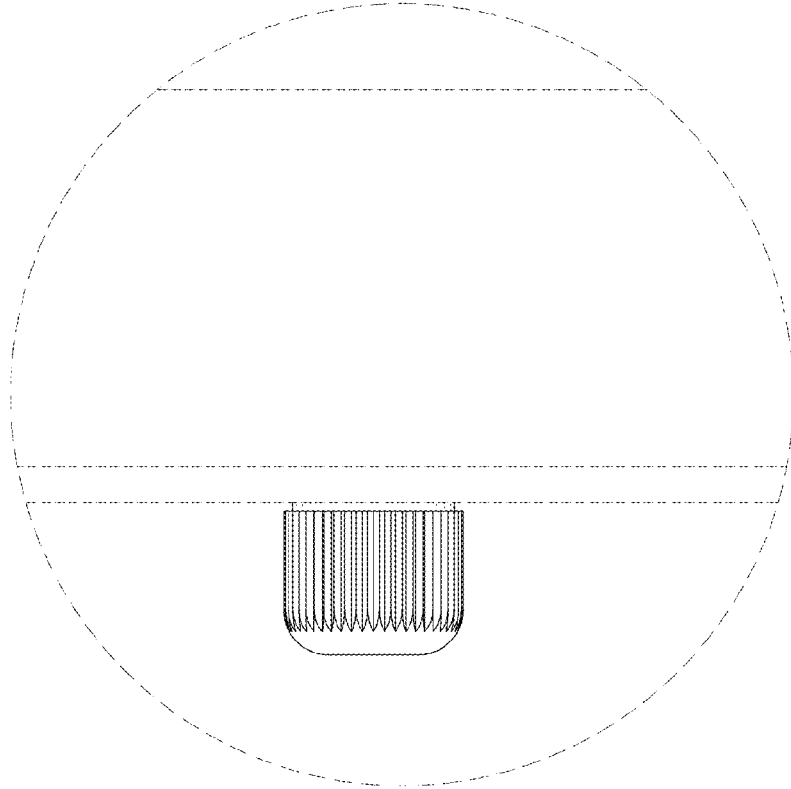


FIG. 18

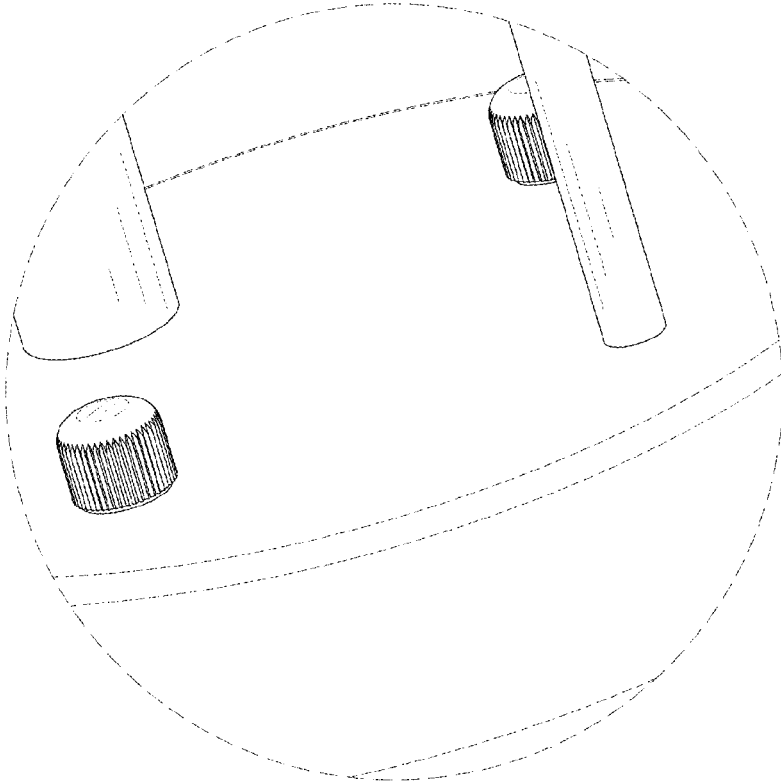


FIG. 17