

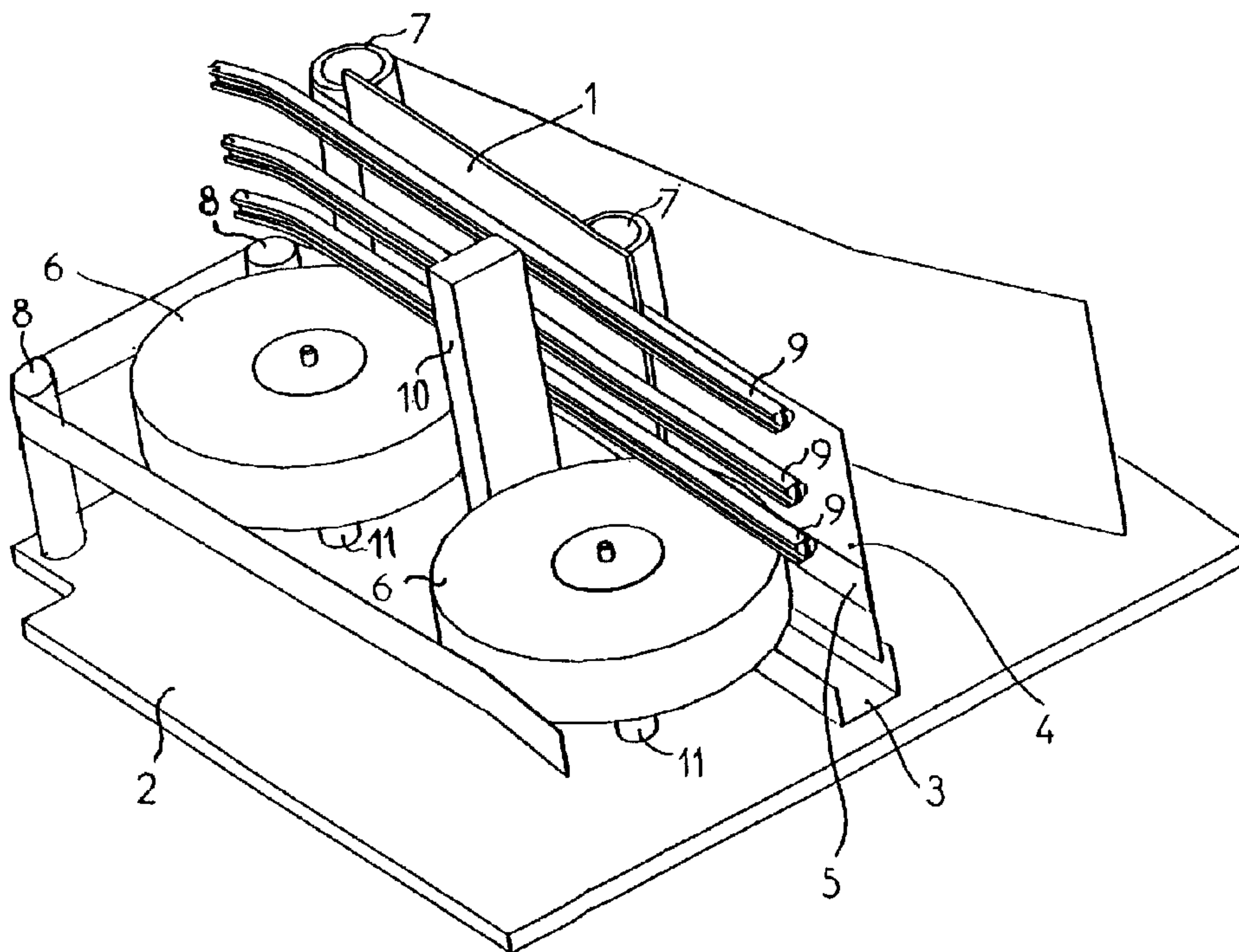


(86) Date de dépôt PCT/PCT Filing Date: 1999/12/20  
 (87) Date publication PCT/PCT Publication Date: 2000/07/06  
 (45) Date de délivrance/Issue Date: 2007/06/12  
 (85) Entrée phase nationale/National Entry: 2001/06/20  
 (86) N° demande PCT/PCT Application No.: EP 1999/010101  
 (87) N° publication PCT/PCT Publication No.: 2000/039010  
 (30) Priorité/Priority: 1998/12/24 (FR98/16426)

(51) Cl.Int./Int.Cl. *B65H 5/06* (2006.01)  
 (72) Inventeurs/Inventors:  
 AGIER, FRANCOIS, FR;  
 DUVAL, FLORENCE, FR;  
 DECHARRAN, DOMINIQUE, FR  
 (73) Propriétaire/Owner:  
 SOLYSTIC, FR  
 (74) Agent: GOUDREAU GAGE DUBUC

(54) Titre : APPAREIL PERMETTANT LE TRANSPORT D'OBJET PLATS ENTRE LES POSTES D'UN EQUIPEMENT DE TRAITEMENT

(54) Title: DEVICE FOR CONVEYING FLAT OBJECTS BETWEEN PROCESSING EQUIPMENT ITEMS



(57) Abrégé/Abstract:

Device for conveying flat objects (1), held vertically, at high speed between processing equipment items, and in particular for conveying mail envelopes. This device comprises: a stationary baseplate (3) extending from one equipment item to the other; a motorized reference belt (4) stretched over a set of vertical pulleys (7) and extending above the baseplate along the conveying path between equipment items; a motorized press belt (5) mounted in such a way that it can be pressed against the reference belt along the conveying path; a series of deformable wheels (6) along the conveying path between equipment items, which can come to bear against the press belt in the zone where the latter presses against the reference belt, so as to grip the conveyed envelopes appropriately in spite of the differences in thickness between envelopes.

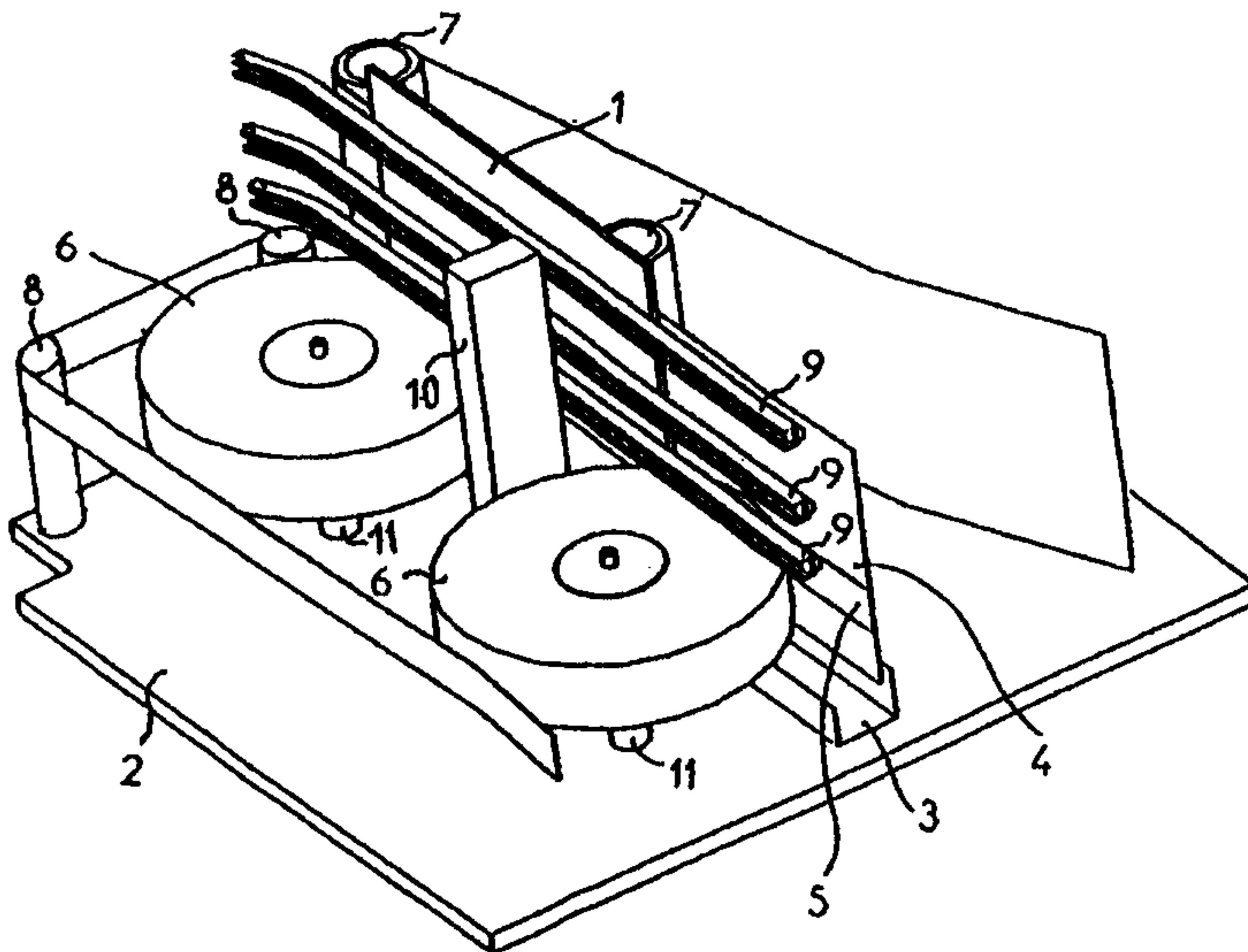
**PCT**WORLD INTELLECTUAL PROPERTY ORGANIZATION  
International Bureau

## INTERNATIONAL APPLICATION PUBLISHED UNDER THE PATENT COOPERATION TREATY (PCT)

(51) International Patent Classification <sup>7</sup> : <b>B65H 5/06</b>	<b>A1</b>	(11) International Publication Number: <b>WO 00/39010</b> (43) International Publication Date: <b>6 July 2000 (06.07.00)</b>
---	-----------	---

(21) International Application Number: **PCT/EP99/10101**(22) International Filing Date: **20 December 1999 (20.12.99)**(30) Priority Data:  
**98/16426**                      **24 December 1998 (24.12.98)**      **FR**(71) Applicant (for all designated States except US): **MAN-  
NESMANN AG [DE/DE]; Mannesmannufer 2, D-40213  
Düsseldorf (DE).**

(72) Inventors; and

(75) Inventors/Applicants (for US only): **AGIER, François  
[FR/FR]; 85, Avenue Marc Urtin, F-26500  
Bourg-les-Valence (FR). DUVAL, Florence [FR/FR]; 6,  
Square des Genets, F-78114 Magny les Hameaux (FR).  
DECHARRAN, Dominique [FR/FR]; 44, Allée de la  
Myrtille, F-26500 Bourg-les-Valence (FR).**(74) Agent: **MEISSNER, Peter E.; Patentanwaltsbüro Meissner &  
Meissner, Hohenzollerndamm 89, D-14199 Berlin (DE).**(81) Designated States: **AE, AL, AM, AT, AU, AZ, BA, BB, BG,  
BR, BY, CA, CH, CN, CR, CU, CZ, DE, DK, DM, EE,  
ES, FI, GB, GD, GE, GH, GM, HR, HU, ID, IL, IN, IS, JP,  
KE, KG, KP, KR, KZ, LC, LK, LR, LS, LT, LU, LV, MA,  
MD, MG, MK, MN, MW, MX, NO, NZ, PL, PT, RO, RU,  
SD, SE, SG, SI, SK, SL, TJ, TM, TR, TT, TZ, UA, UG,  
US, UZ, VN, YU, ZA, ZW, ARIPO patent (GH, GM, KE,  
LS, MW, SD, SL, SZ, TZ, UG, ZW), Eurasian patent (AM,  
AZ, BY, KG, KZ, MD, RU, TJ, TM), European patent (AT,  
BE, CH, CY, DE, DK, ES, FI, FR, GB, GR, IE, IT, LU,  
MC, NL, PT, SE), OAPI patent (BF, BJ, CF, CG, CI, CM,  
GA, GN, GW, ML, MR, NE, SN, TD, TG).****Published***With international search report.**Before the expiration of the time limit for amending the  
claims and to be republished in the event of the receipt of  
amendments.*(54) Title: **DEVICE FOR CONVEYING FLAT OBJECTS BETWEEN PROCESSING EQUIPMENT ITEMS****(57) Abstract**

Device for conveying flat objects (1), held vertically, at high speed between processing equipment items, and in particular for conveying mail envelopes. This device comprises: a stationary baseplate (3) extending from one equipment item to the other; a motorized reference belt (4) stretched over a set of vertical pulleys (7) and extending above the baseplate along the conveying path between equipment items; a motorized press belt (5) mounted in such a way that it can be pressed against the reference belt along the conveying path; a series of deformable wheels (6) along the conveying path between equipment items, where the latter presses against the reference belt, so as to grip the conveyed envelopes appropriately in spite of the differences in thickness between envelopes.

5      **Device for conveying flat objects between processing equipment items**

**Description**

10      The invention relates to a device for conveying flat objects, held vertically, at high speed along one of their long dimensions and one after another, between processing equipment items in an installation, and in particular for conveying mail envelopes of varying size in a postal sorting installation.

15      The conveying of flat objects, one after another, between two items of processing equipment, is currently achieved using an endless belt on which the flat objects are placed in succession. However, such conveying is unsatisfactory when the objects have to be presented vertically, for example for direct reading at a sorting station, and an arrangement for changing the orientation of the objects has then to be provided.

20      Another known solution for conveying flat objects one after another is obtained by using a motorized corridor between the processing equipment items that are to be connected. This corridor comprises a base belt on which the flat objects are placed edge-on, because of their weight, and two lateral belts between which the flat objects  
25      pass in succession in order to be conveyed. The mechanical arrangement needed to operate a motorized corridor has the drawback of being relatively complicated and it is known that this solution is not very appropriate when soft objects are to be found among the succession of flat objects, of different sizes, conveyed at high speed between processing equipment items.

30      An alternative version of the solution for conveying flat objects one after another mentioned hereinabove envisages holding the flat objects by gripping them between a broad lateral belt, which serves as a reference, against which the flat objects are pressed, and a narrow lateral press belt. For this, the press belt is pressed against the  
35      broad reference belt by mobile rotary pulleys spread out along that part of the

conveying path which is followed by both of the belts between two processing equipment items. Here again, the mechanical arrangement needed has the drawback of being relatively complicated and the solution adopted is suited only to a small range of differences in thickness between successive flat objects.

5

In order to overcome these drawbacks, the invention therefore proposes a device for conveying flat objects, held vertically, at high speed in a movement along one of their long dimensions and one after another, between processing equipment items, and in particular for conveying mail envelopes of varying size in a postal sorting installation.

10

According to one feature of the invention, the device comprises:

- a stationary baseplate extending from one equipment item to another to allow the envelopes, resting on their edge, to slide;
- a broad motorized endless reference belt stretched over a set of vertical pulleys mounted on fixed axles and extending, in particular, above the baseplate, along the edge of which this belt extends along the conveying path between equipment items, so as to provide lateral support for the envelopes in a vertical position;
- a motorized endless press belt mounted on a set of vertical pulleys with fixed axles in such a way that it can be pressed against the reference belt along the conveying path between equipment items followed by this reference belt, so as to grip the envelopes introduced between the latter belt and itself at one end of the conveying path followed;
- a series of free and elastically deformable wheels, mounted on fixed vertical axles along the conveying path between equipment items, so as to come to bear against the press belt in the zone where the latter presses against the reference belt, so as, by elastic deformation, to grip all the envelopes conveyed appropriately in spite of the differences in thickness there may be between these envelopes.

15

20

25

30

According to one feature of the invention, the wheels are longitudinally offset with respect to the pulleys of the set carrying the reference belt along the conveying path between equipment items.

According to one feature of the invention, the spacing between wheels and between pulleys is shorter than the intended spacing between two objects being conveyed one after the other.

5 According to one feature of the invention, at least one fixed guide is mounted so that it is parallel, along the conveying path followed by the belts between the equipment items, so as to provide support to the upper parts of the envelopes being conveyed at least on that side on which these envelopes are gripped by the press belt.

10 According to one feature of an alternative form of the invention, several guides are mounted in parallel at different heights along the conveying path followed by the belts between the equipment items, so as to provide support to the upper parts of the envelopes being conveyed, according to the height of these envelopes, and at least on that side where the press belt grips them.

15

The invention, its characteristics and its advantages are specified in the description which follows in conjunction with the figures mentioned hereinbelow.

20 Figure 1 diagrammatically depicts the essential elements of a conveying device according to the invention, viewed in perspective;

Figure 2 depicts a view from above of the device illustrated in Figure 1.

25 The conveying device according to the invention, illustrated partially in Figure 1, is intended to move flat objects 1, of rectangular appearance and varying dimensions, such as postal envelopes, between two object-processing equipment items of an installation, not depicted. It allows the objects to be conveyed, at high and constant speed, in a vertical position and one after another, in a movement along one of their two long dimensions.

30

The envisaged objects are, for example, envelopes, the usual dimensions of which are between 140 and 400 millimeters long, 90 and 300 millimeters wide, and between 0.15 and 32 millimeters thick. They may possibly be relatively soft, although in general they are more or less rigid.

35

The device according to the invention is, in this instance, assumed to be mounted on a mounting plate 2. It essentially comprises a set of elements consisting of a baseplate 3, a reference belt 4, a press belt 5 and a series of elastically deformable wheels 6, some of these elements being depicted only in part in the figures. The assembly is  
5 designed to extend between the two equipment items of the installation between which the flat objects are to be conveyed. The distance between these equipment items is not a truly critical factor, but is not usually very long and generally does not exceed a few meters. The baseplate 3 is designed to allow the envelopes resting on their edge thereon to slide via their lower end as they travel from one equipment item to the other;  
10 in this particular instance it is assumed to be of profiled shape with a U-shaped cross section.

The reference belt 4 is a motorized fixed-back endless belt mounted in the conventional way on a set of vertical pulleys. This set includes idler pulleys such as the  
15 pulleys 7 and drive pulleys, not depicted, and allows the belt to be kept firmly taut. This belt provides reference support for the envelopes conveyed along the length of the path that these envelopes take between the equipment item transmitting them and the one receiving them. It is arranged vertically above the baseplate, along the edge of which it extends along the aforementioned path between equipment items. This  
20 reference belt is preferably relatively wide so as to provide the flat objects with good support of one of their two large faces and so as to keep these objects vertical while they are being conveyed. This width is, for example, of the order of 200 millimeters in the case of the objects of the aforementioned dimensions.

The press belt 5 is intended to keep the flat objects pressed against the reference belt while they are being conveyed. This is a motorized endless belt mounted over a set including vertical pulleys such as 8 and 8', which may or may not be driven, around which it is stretched. This belt, which is preferably narrow, presses against the  
25 reference belt along the aforementioned path between equipment items and above the  
30 baseplate.

The press belt 5 is pressed against the reference belt 4, for example, in the central lower part of this reference belt, as shown in Figure 1. This is achieved by the action of a series of elastically deformable free wheels 6 mounted on fixed and vertical axes 11.  
35 Each of these wheels presses against the press belt in the zone where this belt

presses against the reference belt on the other side of this press belt with respect to this reference belt. The wheels 6 are made, in a way known to the person skilled in the art, to absorb, by elastic deformation, the differences in thickness there are likely to be between the flat objects and more particularly between two flat objects placed one  
5 after the other and in order to remain pressed against the press belt constantly even when there is no flat object between the two belts at their respective locations.

These wheels are, for example, spoked wheels, of the low-pressure type, made of polyurethane, of the type produced by the company COURBIS, these wheels having,  
10 for example, a diameter of the order of 250 millimeters and width of 50 millimeters.

In a preferred embodiment, the wheels 6 are longitudinally offset from the pulleys 7 along the path between equipment items traveled by the two belts 4 and 5 pressed against each other. The spacings of the wheels 6 and of the pulleys 7 is preferably  
15 chosen to be slightly shorter than the intended spacing between two objects placed one after the other so as to guarantee that all objects conveyed between the two belts 4 and 5 will be gripped correctly.

It is also intended that there be mounted at least one fixed guide 9, parallel to the path  
20 followed by the two belts between the equipment items, to act as a support for the upper part of the envelopes conveyed when the envelopes tend to bend over on the side on which they are least supported heightwise during conveying, this side being the side where these envelopes are gripped by the narrow press belt.

In the embodiment proposed, there are three parallel guides 9 borne by posts 10 fixed  
25 to the mounting plate 2, to provide support for envelopes of different heights. This or these guides, of the rail type, are mounted in such a way that they extend along the path along which the objects are conveyed by the belts at a distance from the reference belt 4 which is slightly greater than the maximum envisaged thickness of an  
30 object.

The device therefore allows a succession of flat objects presented vertically to be conveyed along one of their two long dimensions, to an inlet of the device situated, for  
35 example, between the two adjacent pulleys 7 and 8 visible at the left-hand end of the device as depicted in Figure 2. Each flat object 1 is inserted between the two belts 4

and 5 between which it is immediately gripped, its passage past one of the wheels 6 causing temporary crushing of this wheel because of its thickness, without significant deformation of the reference belt 4, because of the tension therein. At the same time as being inserted between the belts 4 and 5, each flat object becomes inserted  
5 between the reference belt 4 and one and/or other of the guides 9, depending on the height by which it projects above this belt. It therefore moves along resting along one of the guides as it is conveyed from one equipment item to another, if it does not have enough rigidity to remain vertical by itself.

10 The device according to the invention has the advantage of corresponding to a simple assembly which is produced using a small number of standard components mounted statically. This assembly also has the advantage of not requiring articulations between moving parts. It can therefore be produced economically and exhibit great reliability.

**Claims**

- 5 1. A device for conveying flat objects (1), held vertically, at high speed in a movement along one of their long dimensions and one after another, between processing equipment items, and in particular for conveying mail envelopes of varying size in a postal sorting installation, which device essentially comprises:
- 10 - a stationary baseplate (3) extending from one equipment item to the other to allow the conveyed envelopes, resting on their edge, to slide;
- a broad motorized endless reference belt (4) stretched over a set of vertical pulleys (7) and extending, in particular, above the baseplate, along the edge of which this belt, resting on pulleys (7) of fixed axle, extends along the conveying path between equipment items, so as to provide lateral support for the envelopes
- 15 in the vertical position;
- a motorized endless press belt (5) mounted on a set of vertical pulleys (8) in such a way that it can be pressed against the reference belt along the conveying path between equipment items followed by this reference belt, so as to grip the envelopes introduced between the latter belt and itself at one end of the
- 20 conveying path followed;
- a series of free and elastically deformable wheels (6), mounted on fixed vertical axles along the conveying path between equipment items, so as to come to bear against the press belt in the zone where the latter presses against the reference belt.
- 25
2. The device as claimed in claim 1, wherein the wheels are longitudinally offset with respect to the pulleys of the set carrying the reference belt along the conveying path between equipment items.
- 30 3. The device as claimed in claim 2, wherein the spacing between wheels and between pulleys is shorter than the intended spacing between two objects being conveyed one after the other.

4. The device as claimed in one of claims 1 to 3, wherein at least one fixed guide (9) is mounted so that it is parallel, along the conveying path followed by the belts between the equipment items, so as to provide support to the upper parts of the envelopes being conveyed.
- 5
5. The device as claimed in claim 4, wherein several guides (9) are mounted in parallel at different heights along the conveying path followed by the belts between the equipment items, so as to provide support to the upper parts of the envelopes being conveyed, according to the height of these envelopes, and at least on that side where the press belt grips them.
- 10

1/2

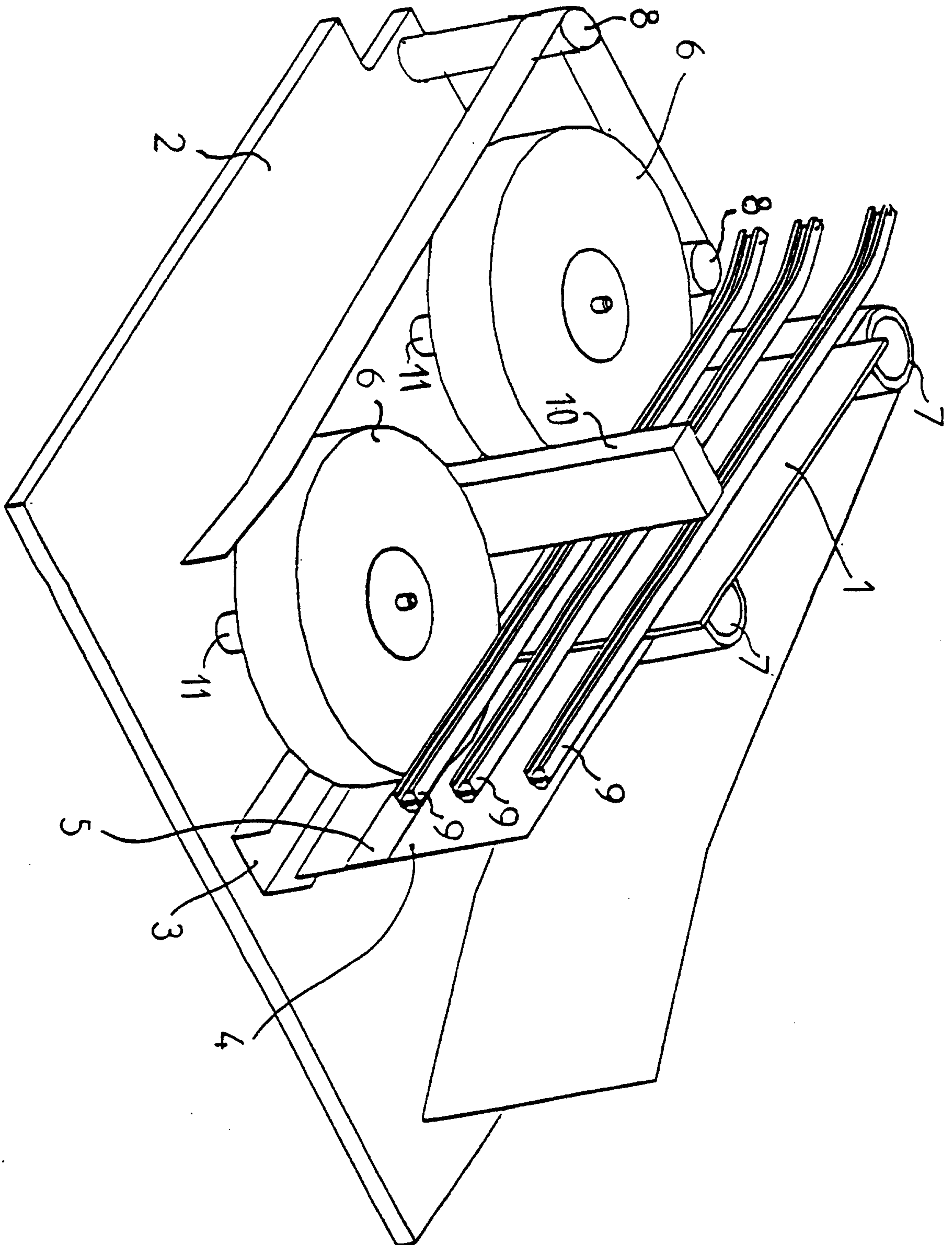


FIG. 1

2/2

FIG. 2

