

(19) World Intellectual Property Organization
International Bureau



(43) International Publication Date
12 March 2009 (12.03.2009)

PCT

(10) International Publication Number
WO 2009/030013 A1

(51) International Patent Classification:
A41G 5/00 (2006.01)

(21) International Application Number:
PCT/CA2007/001579

(22) International Filing Date:
6 September 2007 (06.09.2007)

(25) Filing Language: English

(26) Publication Language: English

(71) Applicant (for all designated States except US): **GAEL BETTS CONCEPTS INC.** [CA/CA]; 621, Notre Dame est, Lachine, Québec H8S 2B4 (CA).

(72) Inventor; and

(75) Inventor/Applicant (for US only): **BETTS, Gael** [CA/CA]; 35, chemin Lasalle, Lachine, Québec H8S 2X3 (CA).

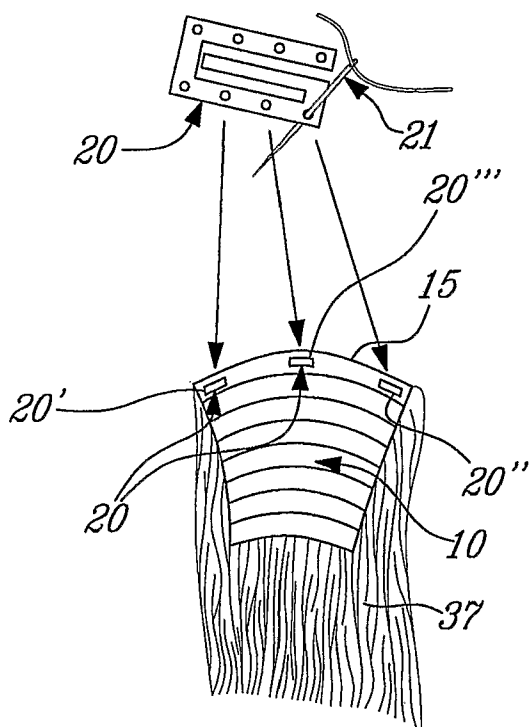
(74) Agent: **OGILVY RENAULT LLP/S.E.N.C.R.L., s.r.l.**; Suite 1600, 1981 McGill College Avenue, Montréal, Québec H3A 2Y3 (CA).

(81) Designated States (unless otherwise indicated, for every kind of national protection available): AE, AG, AL, AM, AT, AU, AZ, BA, BB, BG, BH, BR, BW, BY, BZ, CA, CH, CN, CO, CR, CU, CZ, DE, DK, DM, DO, DZ, EC, EE, EG, ES, FI, GB, GD, GE, GH, GM, GT, HN, HR, HU, ID, IL, IN, IS, JP, KE, KG, KM, KN, KP, KR, KZ, LA, LC, LK, LR, LS, LT, LU, LY, MA, MD, ME, MG, MK, MN, MW, MX, MY, MZ, NA, NG, NI, NO, NZ, OM, PG, PH, PL, PT, RO, RS, RU, SC, SD, SE, SG, SK, SL, SM, SV, SY, TJ, TM, TN, TR, TT, TZ, UA, UG, US, UZ, VC, VN, ZA, ZM, ZW.

(84) Designated States (unless otherwise indicated, for every kind of regional protection available): ARIPO (BW, GH, GM, KE, LS, MW, MZ, NA, SD, SL, SZ, TZ, UG, ZM, ZW), Eurasian (AM, AZ, BY, KG, KZ, MD, RU, TJ, TM), European (AT, BE, BG, CH, CY, CZ, DE, DK, EE, ES, FI, FR, GB, GR, HU, IE, IS, IT, LT, LU, LV, MC, MT, NL, PL, PT, RO, SE, SI, SK, TR), OAPI (BF, BJ, CF, CG, CI, CM, GA, GN, GQ, GW, ML, MR, NE, SN, TD, TG).

Published:
— with international search report
— with amended claims

(54) Title: HAIR-SUPPLEMENTING AND STYLING HAIRPIECE



(57) Abstract: A hairpiece (35) for supplementing the natural hair of a wearer person (42). The hairpiece comprises a support net (10) formed by interconnected strands (11). The net is shaped to conform with the scalp of the wearer person. A plurality of bands of hair (36) are permanently secured spaced-apart, to the strands (11) of the support net (10). The bands of hair are disposed in a predetermined pattern to conceal the net while maintaining flexibility thereof. Independent attachment spring clips (20) are permanently secured in an upper portion of the support net (10) to removably secure the net in the wearer person's natural hair (43) wherein the net (10) and the attachment spring clips (20) are substantially non-visible in the natural hair to supplement and provide styling to the natural hair.

FIG-2A

WO 2009/030013 A1

- 1 -

HAIR-SUPPLEMENTING AND STYLING HAIRPIECE

TECHNICAL FIELD

The present invention relates to a hairpiece for
5 supplementing the natural hair of a wearer person and
wherein the hairpiece is provided with attaching spring
clips which facilitate securement thereof while preventing
damaging the natural hair and wherein a support form
provides for the construction and styling of the
10 hairpiece.

BACKGROUND ART

It is known to enhance the appearance of a person
by supplementing natural hair with one or more hair pieces
15 whereby to increase the volume of hair by blending the
hairpiece with the natural hair. These hairpieces are
usually fabricated from natural hair or synthetic hair.
Metal clips are used to attach these hairpieces to the
natural hair and a typical example of such hairpiece and
20 attachment clips is described in U.S. Patent 6,708,696. A
disadvantage of such hairpiece is that the attachment
clips are difficult to secure in a person's hair and they
also damage the person's natural hair and cause hair loss
particularly in the area where the hairpiece is attached.
25 For a person who has very thin hair and who easily loses
hair, this is a major disadvantage as while trying to
conceal baldness or thinning hair, the hairpiece causes
further loss of the natural hair of the wearer. As shown
in that patent, a braided or plaited carrier strand is
30 used to provide attachment of a plurality of hair switches
thereto by support rings which are linked through the
closed loop of the carrier strand. The formation of these
loops causes aggravation to the scalp of the wearer as
they are in direct contact and friction with the wearer's
35 scalp. Also, a single strand of hair switches provides
for limited cover and body to the natural hair. The

- 2 -

carrier strand is attached by a large barrette at each end and these are not concealed by the hairpiece and become visible in the wearer's natural hair.

Attachment devices for known fashioning hairpieces
5 of this type have not proven to adequately secure the hairpiece to permit extended wear, particularly during strenuous activities or during sleeping where the head is in contact with a pillow. Many of the known attachment devices are not readily securable by a wearer person and
10 one has to visit a hair stylist to secure and style the hairpiece. If the hairpiece then becomes detached, the wearer person must remove the entire hairpiece and this normally causes damage to the wearer's hair and no longer provides enhancement.

15 Many types of artificial hairpieces are known for enhancing the appearance of a wearer and examples thereof can be referenced by U.S. Patent 5,899,211 which shows an artificial hairpiece having an independent extension of synthetic human hair secured at one end to a stretchable,
20 twistable and foldable elastic loop. Other examples of attachment hair clips or barrettes have been provided such as exemplified by U.S. Patent 5,862,814.

There is also a need to provide a hairpiece which will permit the removable attachment of several hair
25 switches or hair strands thereto to provide temporary styling and wherein the support base of the hairpiece can be modified to suit a specific wearer person. There is also a need to provide a hairpiece support form wherein the hairpiece can be temporarily attached thereto to
30 provide combing or styling of the hairpiece or individual hair switches by the user person or by a hair stylist and wherein independent switches can be relocated easily unto the support base or interchanged with other switches, of different color for example, and in a simple effective
35 manner by the wearer person.

- 3 -

DISCLOSURE OF INVENTION

It is a feature of the present invention to provide a hairpiece for supplementing natural hair to the scalp of the wearer person and which substantially
5 overcomes all of the above-mentioned disadvantages of the prior art and provides the mentioned need.

Another feature of the present invention is to provide a hairpiece for supplementing the natural hair of a wearer person and wherein the support base of the
10 hairpiece is a support net which can accommodate a plurality of rows of strands of hair permanently secured thereto and which also permits the removable attachment of hair switches to provide styling in a simple and effective manner.

15 Another feature of the present invention is to provide a hairpiece for supplementing the natural hair of a wearer person and wherein the hairpiece can be attached and styled by the wearer person and further modified by the wearer person.

20 Another feature of the present invention is to provide an attaching spring clip for attaching a hairpiece to a wearer person's natural hair in a substantially concealed manner and which is substantially non-damaging to the natural hair.

25 A still further feature of the present invention is to provide a hairpiece support form for constructing and styling the hairpiece and hair switches and which form can be used by the user person or a hair stylist at a comfortable position.

30 According to the above features, from a broad aspect, the present invention provides a hairpiece for supplementing the natural hair of a wearer person in a substantially concealed manner. The hairpiece comprises a support net formed by interconnected strands. The net is
35 shaped to conform with a portion of the scalp of the wearer person. A plurality of bands of hair is

- 4 -

permanently secured to the strands of the support net. The bands of hair are disposed in a predetermined pattern to conceal the net while maintaining flexibility thereof. Independent attachment means are permanently secured in an upper portion of the support net to removably secure the net in the wearer person's natural hair wherein the net and the attachment means are substantially non-visible in the natural hair to supplement and provide styling to the natural hair.

10 According to a further broad aspect of the present invention there is provided an attaching spring clip for securing a hairpiece in the natural hair of a wearer person. The spring clip has a pair of spaced-apart attaching legs provided with securement means. The attaching legs are disposed side-by-side in a common plane and define a passage therebetween. A pair of top leafs extend over a top surface of the attaching legs and are formed integral with the attaching legs from a common end thereof. The top leafs are interconnected to one another at a free end thereof by an integrally formed lip portion which is angulated outwardly of the attaching legs to form a mouth opening to facilitate the positioning of a swatch of natural hair, of substantially predetermined volume from a wearer person's scalp, in the clip. A hair biasing leaf is formed integral with one of the top leafs and has a curved section projecting between the attaching legs and in the passage from the common end thereof. The hair biasing leaf has an outwardly curved central portion extending between the pair of top leafs and terminates in a free end disposed between the attaching legs whereby to secure the spring clip to the swatch of hair when positioned under the pair of leafs and over the biasing leaf to secure the support net and bands of hair secured thereto in the natural hair of the wearer person.

35 According to a still further broad aspect of the present invention there is provided a hairpiece support

- 5 -

form for constructing and styling a hairpiece. The support form defines three distinct working surface portions. A first of the surface portions is a curvate rearwardly inclined side surface portion having a wide top end tapering to a narrower bottom end for securing a support net of the hairpiece thereto. A second of the surface portion is a flat top inclined surface portion sloping rearwardly from a marginal edge of the wide top end of the first surface portion to secure hair switches thereto to effect a transformation or maintenance to the hair switches such as dyeing, washing, drying or waving. A third of the surface portions is a vertical inwardly inclined surface portion to provide a storage surface for retaining hair switches in a depending condition at an unobstructing position from a lower edge of the second surface portion. Means is provided to immovably attach the support forms to a stationary object.

BRIEF DESCRIPTION OF THE DRAWINGS

A preferred embodiment of the present invention will now be described with reference to the accompanying drawings in which:

FIG. 1A is a plan view of the hairpiece support net formed by interconnected strands used to fabricate the hairpiece of the present invention;

FIG. 1B is a view similar to Figure 1A but showing the disposition of shaping stitches in the net to impart a curved shape to the net;

FIG. 1C is a perspective view showing the curved shape of the hairpiece support net;

FIG. 2A is an exploded view showing the spring clips attached to a rear upper portion of the support net of Figure 1C;

FIG. 2B is a fragmented perspective view showing the attaching spring clip secured to a rear upper corner area of the support net;

- 6 -

FIG. 3A is a plan view of a metal stamping of spring steel material which forms the attaching spring clip which is used to secure the hairpiece to a wearer's natural hair;

5 FIG. 3B is a plan view showing the stamping shaped to form the spring clip;

FIG. 3C is a side view of the spring clip and particularly showing the shape of the spring biasing leaf portion of the spring clip;

10 FIG. 4 is an exploded view showing bands of hair to be permanently secured to the support net;

FIG. 5 is a perspective view showing a first band of hair secured to a lower edge of the support net and the manner of doing so;

15 FIG. 6 is a perspective view showing a support net with a plurality of horizontally spaced-apart bands of hair permanently secured thereto to form the hairpiece of the present invention;

FIG. 7 is an exploded perspective view showing where the hairpiece of the present invention is secured in the natural hair of a wearer person;

FIG. 8 is a perspective view illustrating the securement of the attaching spring clip to the natural hair of a wearer person;

25 FIG. 9 is a perspective view showing the hairpiece secured to the natural hair of a wearer person by the attaching spring clips;

FIG. 10 is a perspective view showing the hairpiece secured in the natural hair of a wearer person in a substantially concealed manner and blending with the natural hair to add volume and styling;

FIG. 11A is a plan view of a stamping of a further clip used to removably attach hair switches to the net;

35 FIG. 11B is a plan view showing the stamping of Figure 11A shaped to form the clip;

FIG. 11C is a side view of the clip of Figure 11B;

- 7 -

FIG. 12 is a perspective view showing adjacent bands of hair secured to the support net, with two adjacent bands separated to expose the net whereby to secure hair switches thereto by the spring of Figures 11B and 11C;

FIG. 13 is a perspective view showing a switch of hair secured to the support net;

FIG. 14 is a perspective view showing a plurality of switches of hair blended with the bands of hair of the hairpiece of the present invention and wherein the switches are noticeably different from the hair of the hairpiece;

FIGs. 15A to 15C are front, rear and side views, respectively, of a hairpiece support form for constructing and styling the hairpiece of the present invention;

FIG. 16 is a transverse section view of the hairpiece support form showing its construction and its attachment clamp;

FIG. 17 is a side view showing the utility of the hairpiece support form; and

FIG. 18 is a further side view showing the hairpiece support form attached to an article of furniture and wherein a band of hair or portions thereof is being styled with the hairpiece secured to the frontal curvate surface of the support form.

MODES FOR CARRYING OUT THE INVENTION

Referring now to the drawings and more particularly to Figures 1A to 1C, there is shown generally at 10 a support net utilized in the construction of the hairpiece of the present invention. The support net 10 is formed by interconnected strands 11 of material, preferably but not exclusively, having a component of elasticity to provide resiliency to the net. These synthetic strands 12 are interconnected in a pattern and define large openings 13 therebetween. Preferably the

- 8 -

synthetic material has a coloured pigment to blend with an intended wearer's natural hair color. These strands are also stitched together to provide a plurality of parallel, horizontal and spaced-apart attachment strands 14 to which
5 are permanently secured bands of hair, as will be described later.

As shown in these drawings, the support net has a generally truncated outline defined by a substantially straight upper edge 15, inwardly sloped side edges 16 and
10 a shorter substantially straight lower edge 17. As shown in Figure 1B, the net is further provided with shaping stitches 18 extending from the side edges 16 and bottom edge 17 whereby to impart a curved shape to the net to provide conformity to the scalp of a wearer person.
15 Figure 1C illustrates a typical curvature of the net. The net can also be cut between the strands 14 to size the hairpiece.

With reference now to Figures 2A to 3C, there is illustrated the attachment means which are permanently
20 secured to the upper portion of the support net to removably secure the net of the hairpiece 35 (see Figure 6) in the wearer person's natural hair and wherein the net and the attachment means are substantially non-visible when secured in the natural hair whereby to supplement and
25 provide styling to the natural hair. This attachment means is constituted by an attaching spring clip 20 which is permanently stitched behind the net 10 along the upper edge 15 thereof adjacent each end of the straight upper edge as shown at 20' and 20". A further spring clip 20 is
30 secured intermediate the opposed ends and substantially centrally thereof, to provide additional support, as illustrated by reference numeral 20'''. These spring clips 20 are secured thereto by stitching with a thread and needle 21 as illustrated in Figure 2A. Other
35 securement means may also be envisaged. If desirable,

- 9 -

other spring clips may be secured spaced below the corner clips 20' as illustrated in Figure 2B.

As shown in Figures 3A to 3C, the spring clip 20 is formed from a thin spring steel stamping 22 or any other suitable material having a memory capable of retaining its original shape after flexing. It is, of course, conceivable that this spring clip could be fabricated from plastics material. The attaching spring clip 20 defines a pair of spaced-apart attaching legs 23 and 23' provided with securement means in the form of, spaced-apart, series of holes 24 to receive a needle and thread 21 therethrough for securing the clip to the support net 10. These attaching legs 23 and 23' are disposed side-by-side in a common plane and define a passage 25 therebetween.

The spring clip is also provided with a pair of top leafs 26 and 26' extending in substantially parallel relationship over a top surface of the attaching legs 23 and 23' and formed integral with the attaching legs from a common bent end 27 thereof. The attaching legs 23 and 23' are interconnected to one another at a free forward end thereof by an integrally formed lip portion 28 which is curved outwardly of the attaching legs, as better seen from Figure 3C, whereby to form a smooth mouth entrance 29 to facilitate the positioning of a swatch of natural hair 30, as shown in Figure 8. The size of the mouth entrance limits the amount of hair that can be positioned into the spring clip as the swatch is formed from gathering the natural hair of a wearer person's scalp.

The spring clip 20 further comprises a hair biasing leaf 31 formed integral with one of the top leafs, herein leaf 26 and has a curved section as shown in phantom line in Figure 3C which projects between the attaching legs 23 and 23' in the passage 25. This biasing leaf extends from the common end 27 which is bent over the attaching legs 23 and 23' and is provided with an

- 10 -

outwardly curved central portion 32 extending between the pair of top leafs 26 and 26' and terminates in a free end disposed between the attaching legs 23 and 23' whereby to secure the spring clip to a swatch or two swatches 30 and 5 30' of hair, as shown in Figure 8.

Referring now to Figures 4 to 6, there is shown the construction of the hairpiece 35 of the present invention. As shown in Figure 4, bands of hair 36, which comprise natural or synthetic hair 37 secured to an 10 attaching band 38 of fabric or a plaited carrier strand, are cut to length for securement along selected ones of the attaching strands 14 of the support net 10. These bands of hair 36 are permanently stitched to the attaching strands 14 or interconnected strands 12 which form the 15 support net and this is done preferably with the support net mounted on a hairpiece support form 50, as will be described later with reference to Figures 15A to 18. The bands of hair 36 are secured to the net starting from the lower edge 17 to the upper edge 15 and such is illustrated 20 in Figure 5 which shows a needle and thread 39 to effect this permanent attachment. Several of these bands of hair 36 are secured spaced-apart and parallel to one another along selected ones of the attaching strands 14 and to the top edge strand 14', as shown in Figure 4. These bands of 25 hair 36 are usually of the same length and accordingly when they are secured to the support net spaced-apart, these bands intermingle with one another exposing hair of different lengths to simulate the real hair of the wearer. Of course, the more bands of hair are attached to the net, 30 the thicker is the hairpiece 35 providing more volume to the natural hair of a wearer person. The bands of hair 36 are attached to the attaching strands 14 on the outer surface 41 of the net.

It is also within the ambit of the present 35 invention to provide bands of hair 36 of different widths and also of different color whereby to provide styling to

- 11 -

the natural hair of the wearer person. Because these bands of hair are secured spaced-apart in overlying relationship they completely conceal the support net as well as their attachment stitches to the support net.

5 Figures 7 to 10 show how the hairpiece 35 of the present invention is secured to the natural hair of a wearer person 42. As shown in Figure 7, the natural hair 43 of the wearer person 42 is separated to form a hair partition 44 and the top edge 14 of the net is positioned
10 along this partition 44 and secured therealong by the spring clips 20 in a manner as shown in Figure 8. In order to provide a very secure attachment of the spring clips 20, a swatch of hair 30 is positioned into the mouth opening 29 of the spring clip 20 and pushed thereunder.
15 The spring action of the hair biasing leaf 31 will clamp a portion 45 of the swatch of natural hair 30 into the passage 25 and retain it clamped therein by the pressure of the hair biasing leaf 31 which extends into the passage 25. To provide a more secure attachment a first swatch of
20 hair can also be positioned under the attaching legs 23 and over the hair biasing leaf 31 to provide further immobilization of the spring clip 20, as shown in Figure 8. Figure 9 illustrates the hair piece 35 immovably secured to the natural hair 43 of the wearer person 42
25 along the partition 44 with the clips secured to the hair 43 below the partition 44. After this is done the top portion 43' of the natural hair which was separated is then brought back over the hairpiece 35 in the direction of arrow 45 concealing the top edge thereof and the
30 natural hair is intermingled with the hair from the hairpiece 35. As shown in Figure 10 the bands of hair 36 are herein shown as adding extension and volume to the natural hair 43 as illustrated by reference numeral 37'.

35 With reference now to Figures 12 to 14, there is shown another important advantage of the construction of the hairpiece 35 of the present invention. As

- 12 -

hereinshown, the construction of the hairpiece 35 provides for additional hair switches 46 to be removably secured to the support net 10. These additional hair switches 46 are formed from natural or synthetic hair 47 which can be of
5 different color, length or texture whereby to contrast with the plurality of bands of hair 36 permanently secured to the support net 10 and the natural hair of the wearer. The hair switches may also have messages or symbols dyed thereon, such as zodiac signs or the Mongolian script
10 representing words. These signs or scripts can be matched with identical signs or scripts on a piece of apparel worn by the same person. For example a person may want to add a few hair switches of very contrasting color to provide temporary styling or to make a statement such as for a
15 masquerade party, etc. or for any other reason. Such decorative hair switches are illustrated in Figure 14 wherein the switches contrast significantly with the bands of hair 37.

The hair switches 46 are hereinshown secured to
20 the interconnected strands 12 of the net 10 in a free area between the bands of hair, herein bands 36 and 36'. In order to do so, these switches 46 are secured to a connecting pin 48 which is illustrated in Figures 11A to 11C.

25 The connecting pin 48 is simply formed from a stamping 49 of material capable of retaining its shape when formed, such as that of the spring clip 20 and is comprised of an attaching base 51 provided with holes 52 whereby to stitch the swatch 46 thereto. A top spring
30 leaf 53 is formed integral from one end of the attaching band 49 from a common curved end 54. The free end of the biasing spring leaf 53 is upwardly turned at 55 to define a mouth or entrance opening 56 therebetween. Accordingly, this clip is easily removably secured to the intersecting
35 strands 12 of the support net 10, as shown in Figure 13. Accordingly, the hairpiece 35 of the present invention

- 13 -

further permits the addition and removal of hair switches thereto to provide styling of the hairpiece, as above-mentioned.

In order to facilitate the construction, washing, dyeing, repair and styling of the hairpiece 35 of the present invention, there is provided a support form 50 as illustrated in Figures 15A to 16. The support form 50 is formed from a shaped body 60 of a rigid foam material 61 capable of receiving straight pointed pins therein to removably attach the hairpiece 35 and the support net 10 thereto as well as the hair switches 46 to provide styling thereof or dyeing of the switches. As shown in Figure 16, the foam material 61 is covered with an outer coating of polymeric material 62 and which is capable of resisting to dye chemicals used to color hair secured to the support form. A clamping device 63 is permanently secured to the lower end 64 of the support form 50 and constitutes a means to immovably attach the support form to an object such as the ledge 65 of the article of furniture 66, as illustrated in Figure 18.

As shown in Figures 15A to 15C, the support form 50 defines three distinct working surface portions. A first of these surface portions 70 is a curvate rearwardly inclined side surface portion, as better shown in Figure 15C having a wide top end 71 to bring along its opposed side 72 to a narrower bottom end 73. This first surface portion 70 is adapted for securing the support net 10 thereto and is shaped similar to a rear portion of a human head. A finger gripping indentation 80 is provided adjacent the marginal edge 75 to provide a finger grip to grasp the support form 50.

The support form 50 also defines a second surface portion which is a flat top inclined surface portion 74 which slopes rearwardly from a marginal edge 75 of the wide top end 71 of the first surface portion 70 to secure hair switches 46 thereto as illustrated in Figure 17.

- 14 -

This permits the wearer person or a hair stylist to effect a transformation to the switches such as dyeing or imparting waves to the hair of the switches.

A third of the surface portion is constituted by a vertical inwardly inclined surface 76 which provides for a storage or retention surface for retaining hair switches 46, as illustrated in Figure 17, in a depending condition and at a non-obstructing position from a lower edge 77 of the second surface portion 74 whereby switches which have been dyed can be left in a depending form to dry. They are also disposed in such a position as to permit a hair dryer to impart a drying hair stream thereto. Accordingly, the support form 50 is designed to permit the wearer person or a hair stylist to provide a working station for the transformation of the hairpiece and switches and also to construct the hairpiece 35 onto the form, or simply for storage when not in use. The angles of the surface portions 70, 74 and 76 have been selected to provide good visibility and comfortable disposition of the hairpiece and its material as well as switches when the form is mounted at a comfortable working height. Figure 18 illustrates such transformation wherein some strands of hair or a switch of hair from the hairpiece 35 is being curled with a curling brush 78 to provide a transformation with the support form 50 secured to the ledge 65 of a table 66 at a comfortable height.

Summarizing the present invention, it comprises as well the method of constructing the hairpiece which includes the steps of forming a hair net with interconnected strands to delineate a truncated outline to the net and shaping the hair net to impart the rounded shape as illustrated in Figure 1C. A plurality of bands of hair 36 are permanently secured to the hair support net in spaced-apart horizontal rows starting from a bottom end of the net to the top end thereof, at selected intervals. Spring clips 20 are then secured to at least opposed ends

- 15 -

of the top edge of the support net 10 and in a rear surface of the net.

The hairpiece of the present invention is then secured to the natural hair of a wearer person by forming
5 a hair partition, such as the hair partition 44 illustrated in Figure 7, in the natural hair of the wearer person. The top edge of the hairpiece 35 with the securement spring clips is secured to swatches of natural hair under the top edge of the support net with the upper
10 edge of the net held taut. To provide additional styling further swatches of hair may be detachably secured to the net between the bands of hair 36 which are permanently secured to the net.

To provide hair enhancing treatment or storage of
15 the hairpiece 35 and the swatches 46 of hair, the hairpiece and swatches are removed from the wearer person's hair and placed onto the support form 50, as illustrated in Figures 15A to 18.

It is within the ambit of the present invention to
20 cover any obvious modifications of the preferred embodiment described herein, provided such modifications fall within the scope of the appended claims.

CLAIMS,

1. A hairpiece for supplementing natural hair of a wearer person in a substantially concealed manner, said hairpiece comprising a support net formed by interconnected strands, said net being shaped to conform with a portion of the scalp of the wearer person, a plurality of bands of hair are permanently secured to said strands of said support net, said bands of hair being disposed in a predetermined pattern to conceal said net while maintaining flexibility thereof; independent attachment means are permanently secured in an upper portion of said support net to removably secure said net in the wearer person's natural hair wherein said net and said attachment means are substantially non-visible in said natural hair to supplement and provide styling to said natural hair.

2. A hairpiece as claimed in claim 1 wherein said support net has a generally truncated outline defined by a substantially straight upper edge, inwardly sloped side edges and a shorter substantially straight lower edge, said interconnected strands being formed of synthetic material, and shaping stitches in said net to impart a curved shape in said net to provide conformity to the scalp of the wearer person.

3. A hairpiece as claimed in claim 2 wherein said strands of synthetic material have a component of elasticity to provide resiliency to said net, said synthetic material having a colored pigment to blend with an intended wearer's natural hair color.

4. A hairpiece as claimed in claim 3 wherein said bands of hair are stitched to said interconnected strands by permanent attachment stitches, said bands of hair being disposed in spaced-apart rows extending substantially

parallel to said straight upper edge, there being a plurality of said bands of hair.

5. A hairpiece as claimed in claim 4 wherein said permanent attachment stitches are formed on an outer surface of said net.

6. A hairpiece as claimed in claim 4 wherein some of said bands of hair are of different widths, and wherein some of said strands are secured along said straight upper edge, said strands overlying one another thereby concealing said permanent attachment stitches.

7. A hairpiece as claimed in claim 2 wherein said attachment means is an attaching spring clip, there being an attaching spring clip secured to each end of said strands at said straight upper edge in a rear surface of said net.

8. A hairpiece as claimed in claim 1 wherein there is further provided one or more hair switches removably secured to said support net.

9. A hairpiece as claimed in claim 8 wherein said hair switches are one of different colored switches or different textured switches to contrast with said plurality of bands of hair and said natural hair of the wearer person, or switches having a message or symbol or script dyed thereon.

10. A hairpiece as claimed in claim 1 wherein said attachment means is constituted by two or more attaching spring clips, each said spring clip having a pair of spaced-apart attaching legs provided with securement means, said attaching legs being disposed side-by-side in a common plane and defining a passage therebetween, a pair of top leafs extending substantially parallel over a top

surface of said attaching legs and formed integral with said attaching legs from a common end thereof, said attaching legs being interconnected to one another at a free end thereof by an integrally formed lip portion which is angulated outwardly of said attaching legs to form an entrance opening to facilitate the positioning of a swatch of natural hair of substantially predetermined volume from a wearer person's scalp in said clip, and a hair biasing leaf formed integral with one of said top leafs and having a curved section projecting between said attaching legs and in said passage from said common end thereof, said hair biasing leaf having an outwardly curved central portion extending between said pair of top leafs and terminating in a free end disposed between said attaching legs whereby to secure said spring clip to said swatch of hair when positioned under said pair of leafs and over said biasing leaf whereby to removably attach said support net and bands of hair secured thereto in said natural hair of said wearer person.

11. A hairpiece as claimed in claim 10 wherein said spring clip is formed of a material having a memory capable of retaining its original shape after flexing.

12. A hairpiece as claimed in claim 10 wherein said securement means is provided by a plurality of holes formed in each said attaching leg to receive a threading needle and thread to stitch said attaching legs to interconnected strands of said support net.

13. A hairpiece support form for constructing and styling the hairpiece as claimed in claim 1, said support form defining three distinct working surface portions, a first of said surface portions being a curvate rearwardly inclined side surface portion having a wide top end tapering to a narrower bottom end for securing said support net thereto, a second of said surface portions

being a flat top inclined surface portion sloping rearwardly from a marginal edge of said wide top end of said first surface portion to secure hair switches thereto to effect a transformation to said switches, and a third of said surface portions being a vertical inwardly inclined surface portion to provide a storage or retention surface for retaining hair switches in a depending condition at an unobstructing position from a lower edge of said second surface portion, and means to immovably attach said support form to a stationary object.

14. A hairpiece support form as claimed in claim 13 wherein said support form has a clamp secured to a lower end thereof, said clamp constituting said means to immovably attach said support form.

15. A hairpiece support form as claimed in claim 13 wherein said support form is constructed of a rigid foam material capable of receiving straight pointed pins therein to removably attach said support net and hair switches thereto, said foam material having an outer coating of polymeric material thereover and capable of resisting to die chemicals used to color hair secured to said support form.

16. A hairpiece support form as claimed in claim 13 wherein there is further provided a finger gripping indentation adjacent a top edge of said first surface portion to provide a finger grip.

17. A method of constructing a hairpiece as claimed in claim 1 comprising the steps of:

- i) forming said hair net with said interconnected strands to delineate said truncated outline;
- ii) shaping said hair net to impart said curved shape to said net;

iii) securing said plurality of bands of hair to said net in spaced-apart rows from a bottom end of said net to a top end thereof;

iv) securing an attaching spring clip to said strands at at least opposed ends of a top edge of said support net and in a rear surface thereof, and

v) securing said net to the natural hair of a wearer person by forming a hair partition in said natural hair and positioning said top edge of said support net along said hair partition and securing each said spring clip to a swatch of said natural hair under said top edge of said support net with said upper edge held taut.

18. A method as claimed in claim 17 wherein there is further provided the step of detaching securing independent hair switches to said net, said hair switches blending with said bands of hair and said natural hair.

19. A method as claimed in claim 17 wherein there is further provided the step of enhancing said hairpiece by the steps of:

vi) detaching said hair net and bands of hair secured thereto from said natural hair of said wearer person,

vii) temporarily securing said hair net and bands of hair to a curvate rearwardly inclined side surface portion of a hairpiece support form, and

viii) effecting a hair enhancing treatment to said bands of hair.

20. A method as claimed in claim 19 wherein there is further provided the steps of temporarily securing one or more of said hair switches to a top inclined surface portion of said support form, effecting a treatment to said switches as desired, and removably securing said switches to said support net at predetermined locations between said bands of hair.

AMENDED CLAIMS**received by the International Bureau on 18 August 2008**

CLAIMS,

1. A hairpiece for supplementing natural hair of a wearer person in a substantially concealed manner, said hairpiece comprising a support net formed by interconnected strands, said net being shaped to conform with a portion of the scalp of the wearer person, said support net having a generally truncated outline defined by a substantially straight upper edge, inwardly sloped side edges and a shorter substantially straight lower edge, said interconnected strands being formed of synthetic material, shaping stitches in said net to impart a curved shape in said net, a plurality of bands of hair are permanently secured to said strands of said support net, said bands of hair being disposed in a predetermined pattern to conceal said net while maintaining flexibility thereof; independent attachment means are permanently secured in an upper portion of said support net to removably secure said net in the wearer person's natural hair wherein said net and said attachment means are substantially non-visible in said natural hair to supplement and provide styling to said natural hair.

2. A hairpiece as claimed in claim 1 wherein said strands of synthetic material have a component of elasticity to provide resiliency to said net, said synthetic material having a colored pigment to blend with an intended wearer's natural hair color.

3. A hairpiece as claimed in claim 2 wherein said bands of hair are stitched to said interconnected strands by permanent attachment stitches, said bands of hair being disposed in spaced-apart rows extending substantially parallel to said straight upper edge, there being a plurality of said bands of hair.

4. A hairpiece as claimed in claim 3 wherein said permanent attachment stitches are formed on an outer surface of said net.

5. A hairpiece as claimed in claim 3 wherein some of said bands of hair are of different widths, and wherein some of said strands are secured along said straight upper edge, said strands overlying one another thereby concealing said permanent attachment stitches.

6. A hairpiece as claimed in claim 1 wherein said attachment means is an attaching spring clip, there being an attaching spring clip secured to each end of said strands at said straight upper edge in a rear surface of said net.

7. A hairpiece as claimed in claim 1 wherein there is further provided one or more hair switches removably secured to said support net.

8. A hairpiece as claimed in claim 7 wherein said hair switches are one of different colored switches or different textured switches to contrast with said plurality of bands of hair and said natural hair of the wearer person, or switches having a message or symbol or script dyed thereon.

9. A hairpiece as claimed in claim 1 wherein said attachment means is constituted by two or more attaching spring clips, each said spring clip having a pair of spaced-apart attaching legs provided with securement means, said attaching legs being disposed side-by-side in a common plane and defining a passage therebetween, a pair of top leafs extending substantially parallel over a top surface of said attaching legs and formed integral with said attaching legs from a common end thereof, said attaching legs being interconnected to one another at a

free end thereof by an integrally formed lip portion which is angulated outwardly of said attaching legs to form an entrance opening to facilitate the positioning of a swatch of natural hair of substantially predetermined volume from a wearer person's scalp in said clip, and a hair biasing leaf formed integral with one of said top leafs and having a curved section projecting between said attaching legs and in said passage from said common end thereof, said hair biasing leaf having an outwardly curved central portion extending between said pair of top leafs and terminating in a free end disposed between said attaching legs whereby to secure said spring clip to said swatch of hair when positioned under said pair of leafs and over said biasing leaf whereby to removably attach said support net and bands of hair secured thereto in said natural hair of said wearer person.

10. A hairpiece as claimed in claim 9 wherein said spring clip is formed of a material having a memory capable of retaining its original shape after flexing.

11. A hairpiece as claimed in claim 9 wherein said securement means is provided by a plurality of holes formed in each said attaching leg to receive a threading needle and thread to stitch said attaching legs to interconnected strands of said support net.

12. A hairpiece support form for constructing and styling the hairpiece as claimed in claim 1, said support form defining three distinct working surface portions, a first of said surface portions being a curvate rearwardly inclined side surface portion having a wide top end tapering to a narrower bottom end for securing said support net thereto, a second of said surface portions being a flat top inclined surface portion sloping rearwardly from a marginal edge of said wide top end of said first surface portion to secure hair switches thereto

to effect a transformation to said switches, and a third of said surface portions being a vertical inwardly inclined surface portion to provide a storage or retention surface for retaining hair switches in a depending condition at an unobstructing position from a lower edge of said second surface portion, and means to immovably attach said support form to a stationary object.

13. A hairpiece support form as claimed in claim 12 wherein said support form has a clamp secured to a lower end thereof, said clamp constituting said means to immovably attach said support form.

14. A hairpiece support form as claimed in claim 12 wherein said support form is constructed of a rigid foam material capable of receiving straight pointed pins therein to removably attach said support net and hair switches thereto, said foam material having an outer coating of polymeric material thereover and capable of resisting to die chemicals used to color hair secured to said support form.

15. A hairpiece support form as claimed in claim 12 wherein there is further provided a finger gripping indentation adjacent a top edge of said first surface portion to provide a finger grip.

16. A method of constructing a hairpiece as claimed in claim 1 comprising the steps of:

- i) forming said hair net with said interconnected strands to delineate said truncated outline;
- ii) shaping said hair net to impart said curved shape to said net;
- iii) securing said plurality of bands of hair to said net in spaced-apart rows from a bottom end of said net to a top end thereof;

- iv) securing independent hair switches to said net, said hair switches blending with said bands of hair and said natural hair;
- v) securing an attaching spring clip to said strands at at least opposed ends of a top edge of said support net and in a rear surface thereof; and
- vi) securing said net to the natural hair of a wearer person by forming a hair partition in said natural hair and positioning said top edge of said support net along said hair partition and securing each said spring clip to a swatch of said natural hair under said top edge of said support net with said upper edge held taut.

17. A method as claimed in claim 16 wherein there is further provided the step of enhancing said hairpiece by the steps of:

- vii) detaching said hair net and bands of hair secured thereto from said natural hair of said wearer person;
- viii) temporarily securing said hair net and bands of hair to a curvate rearwardly inclined side surface portion of a hairpiece support form; and
- ix) effecting a hair enhancing treatment to said bands of hair.

18. A method as claimed in claim 17 wherein there is further provided the steps of temporarily securing one or more of said hair switches to a top inclined surface portion of said support form, effecting a treatment to said switches as desired, and removably securing said switches to said support net at predetermined locations between said bands of hair.

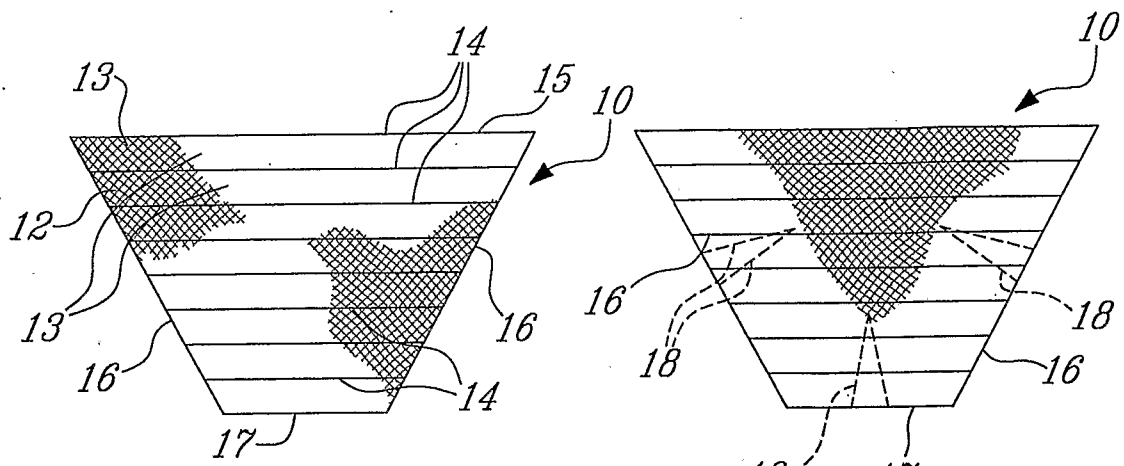


FIG-1A

FIG-1B

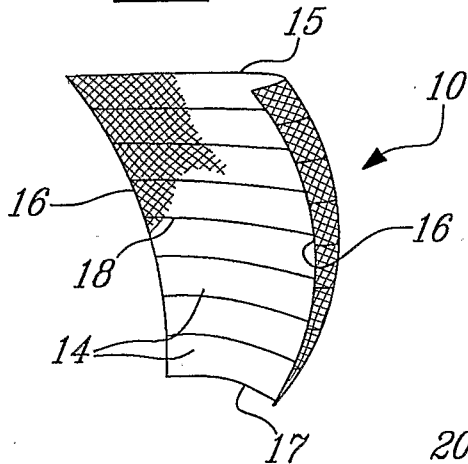


FIG-1C

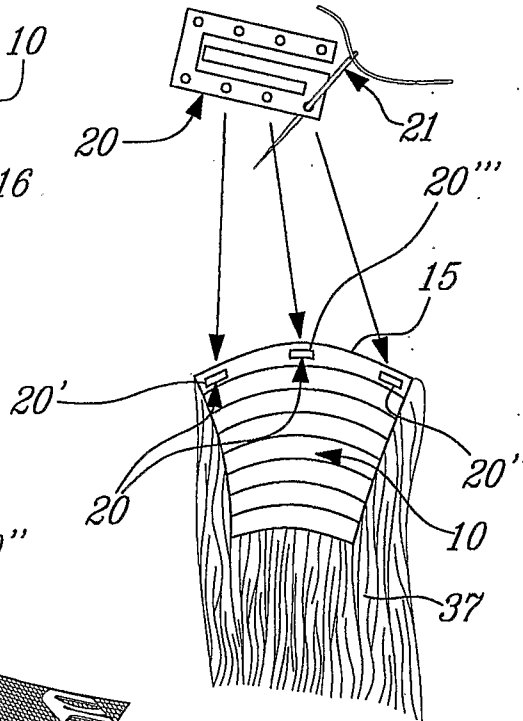


FIG-2A

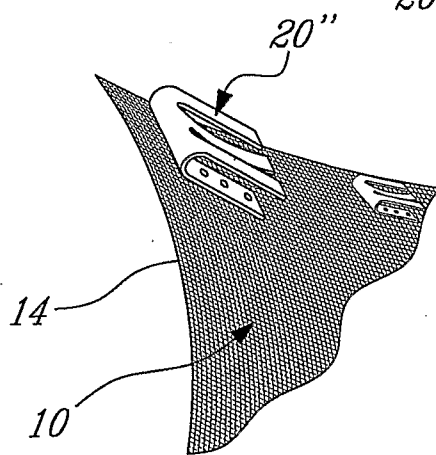
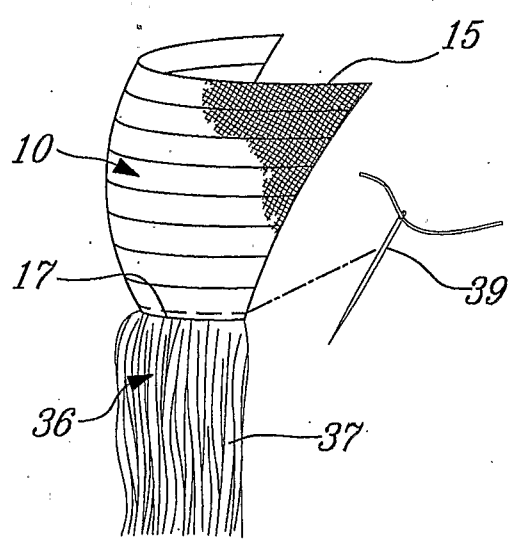
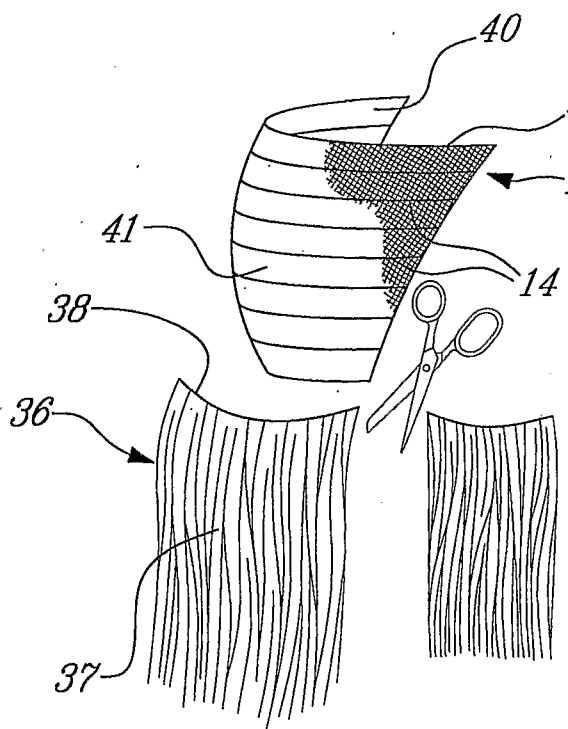
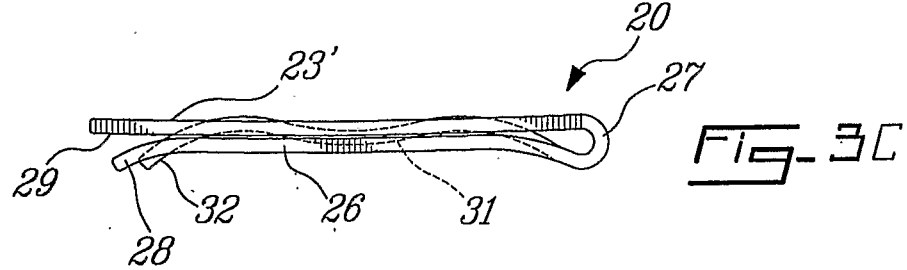
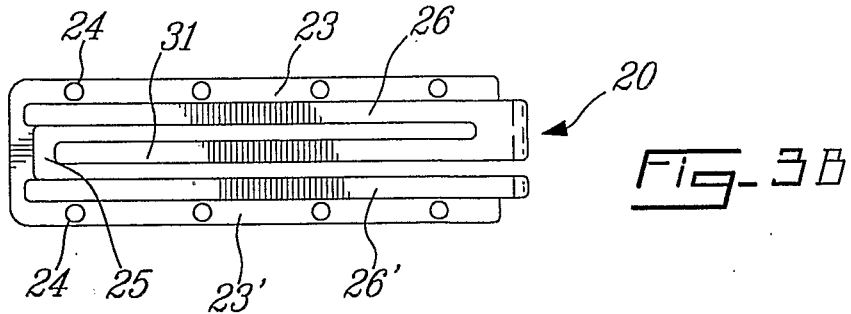
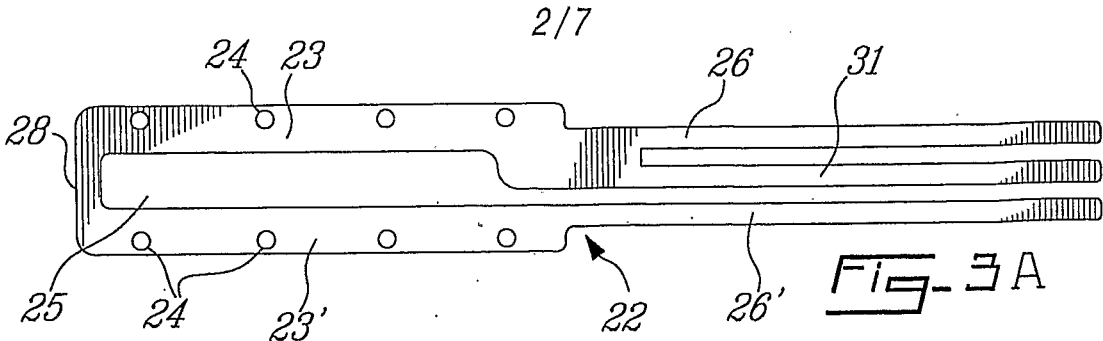


FIG-2B



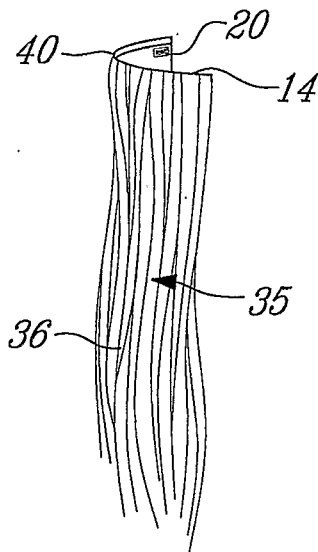


FIG-6

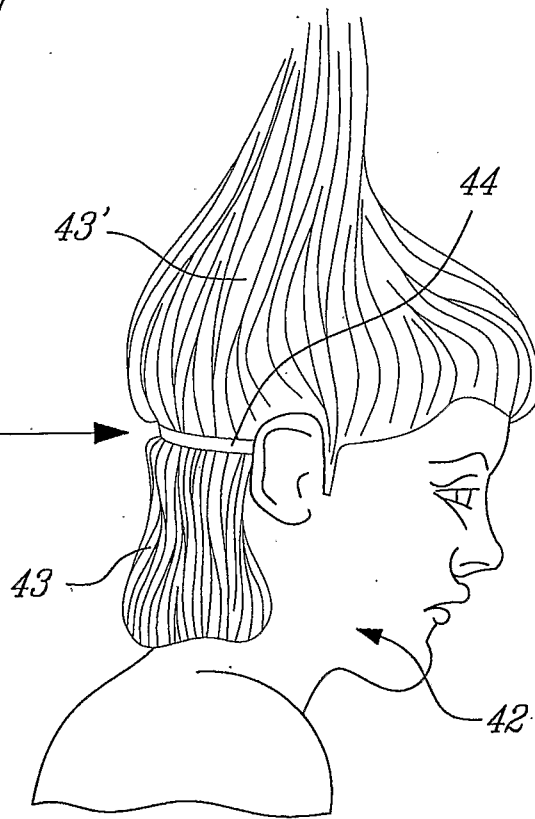
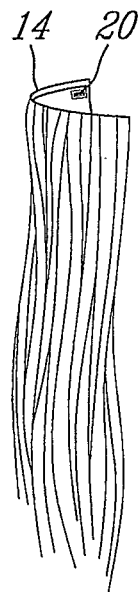


FIG-7

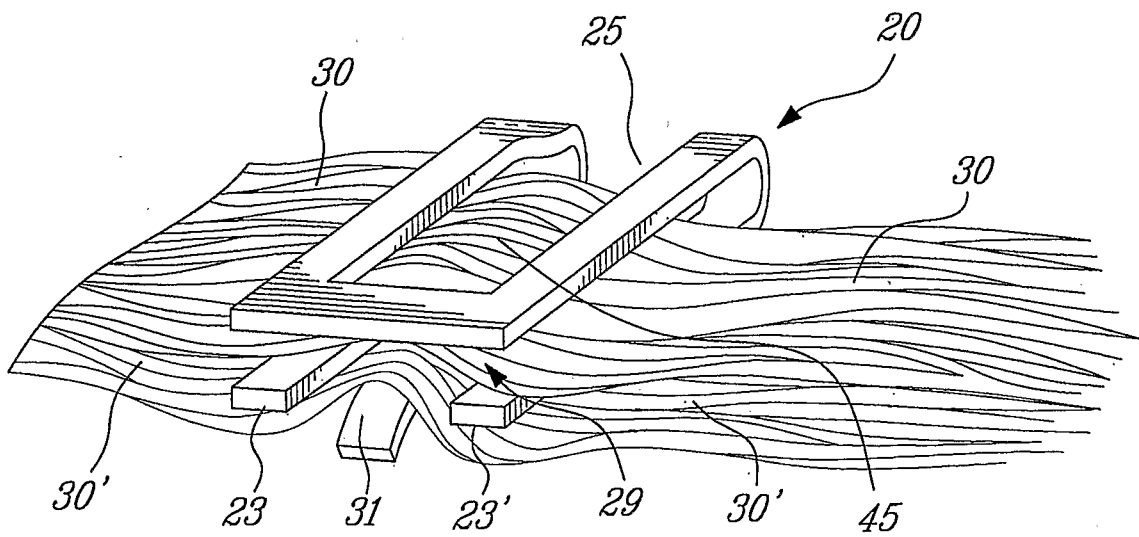


FIG-8

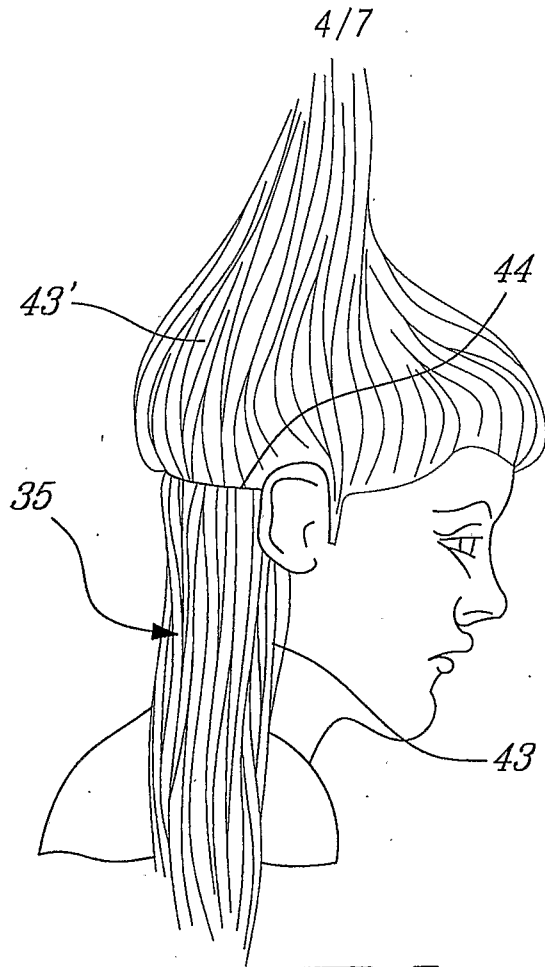


FIG. 9

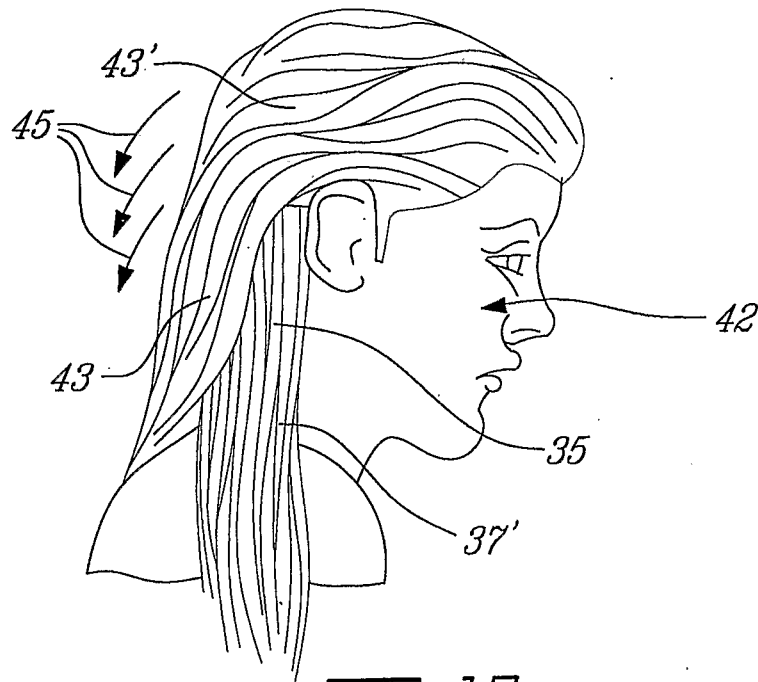


FIG. 10

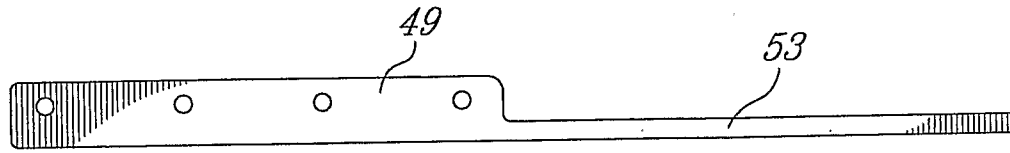


FIG-11A

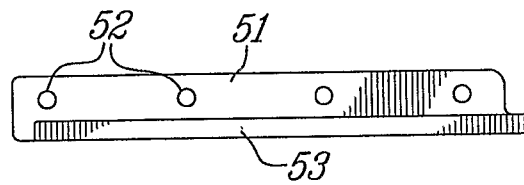


FIG-11B

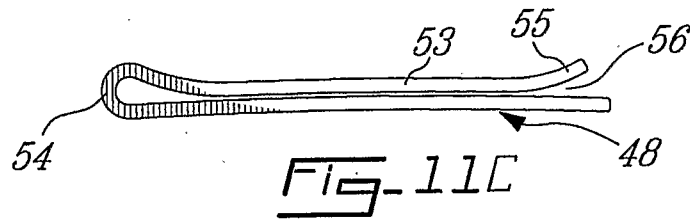


FIG-11C

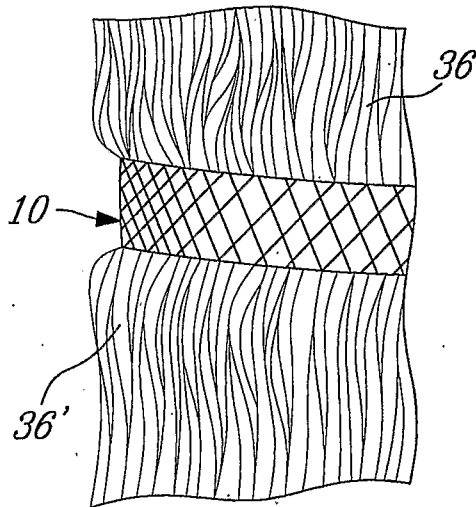


FIG-12

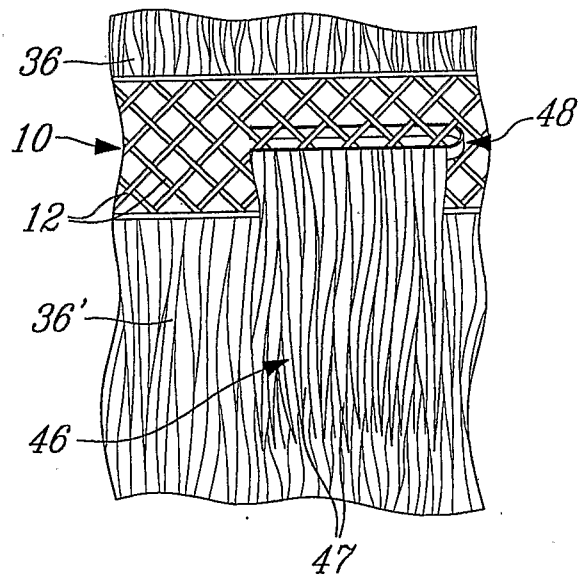


FIG-13

6/7

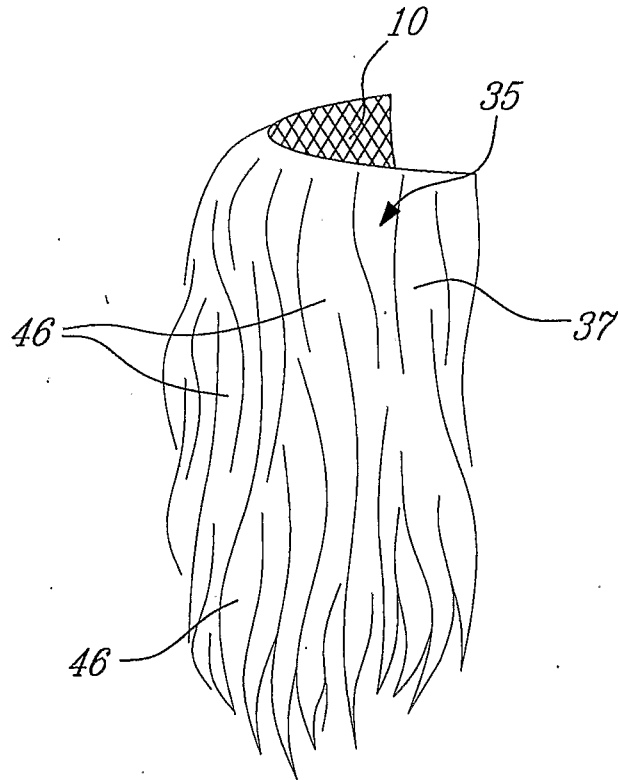


FIG. 14

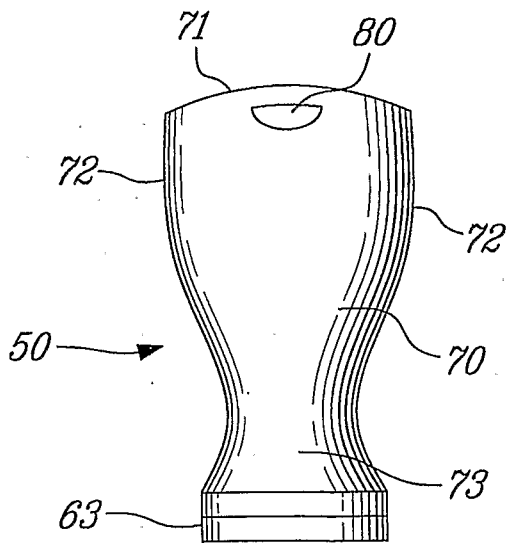


FIG. 15A

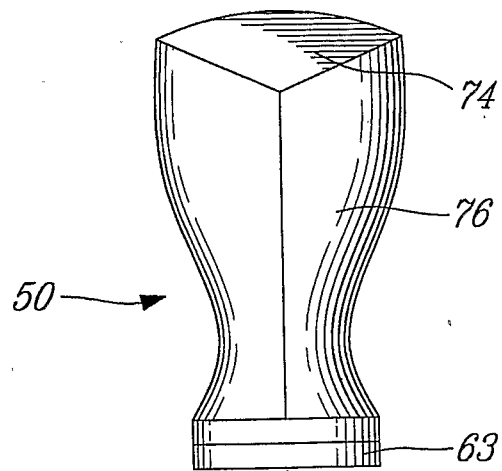


FIG. 15B

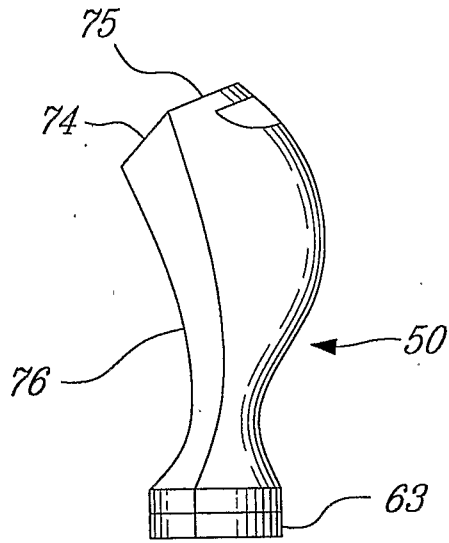


FIG-15C

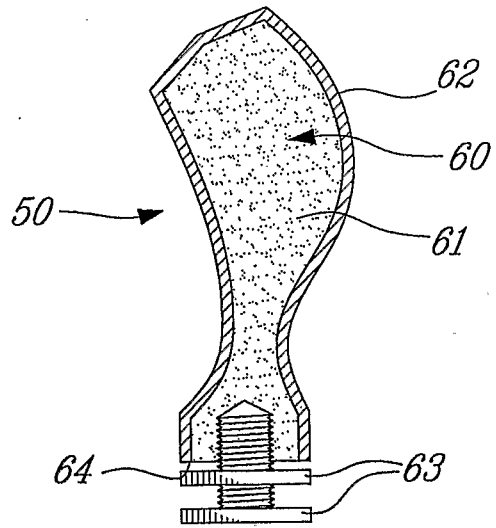


FIG-16

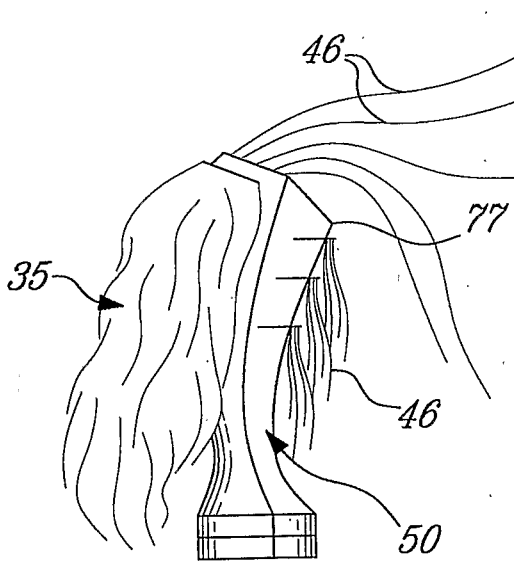


FIG-17

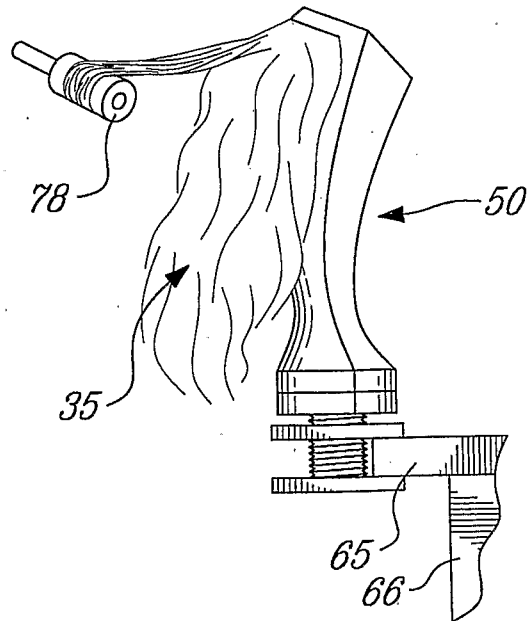


FIG-18

INTERNATIONAL SEARCH REPORT

International application No.
PCT/CA2007/001579

A. CLASSIFICATION OF SUBJECT MATTER
IPC: A41G 5/00 (2006.01)
 According to International Patent Classification (IPC) or to both national classification and IPC

B. FIELDS SEARCHED

Minimum documentation searched (classification system followed by classification symbols)
IPC: A41G 5/00, A41G 3/00
USPC: 132/053, 132/054, 132/201
CPC: 132/1, 132/4

Documentation searched other than minimum documentation to the extent that such documents are included in the fields searched
 none

Electronic database(s) consulted during the international search (name of database(s) and, where practicable, search terms used)
 Canadian Patents Database, Delphion
 keywords: net, clip, stitch, sewn, hairpiece, wig, support, surface, weft

C. DOCUMENTS CONSIDERED TO BE RELEVANT

Category*	Citation of document, with indication, where appropriate, of the relevant passages	Relevant to claim No.
X	US2005/0268929A1 (FRAZIER) 8 December 2005 (08-12-2005)	1
Y	*the whole document*	2-9, 17
Y	US6662806B2 (PROIDE CORPORATION) 16 December 2003 (16-12-2003)	2-7, 17
	the whole document	
Y	WO2007/013754A1 (KWAK) 1 February 2007 (01-02-2007)	8, 9
	fig. 4	

Further documents are listed in the continuation of Box C. See patent family annex.

* Special categories of cited documents :	"T" later document published after the international filing date or priority date and not in conflict with the application but cited to understand the principle or theory underlying the invention
"A" document defining the general state of the art which is not considered to be of particular relevance	"X" document of particular relevance; the claimed invention cannot be considered novel or cannot be considered to involve an inventive step when the document is taken alone
"E" earlier application or patent but published on or after the international filing date	"Y" document of particular relevance; the claimed invention cannot be considered to involve an inventive step when the document is combined with one or more other such documents, such combination being obvious to a person skilled in the art
"L" document which may throw doubts on priority claim(s) or which is cited to establish the publication date of another citation or other special reason (as specified)	"&" document member of the same patent family
"O" document referring to an oral disclosure, use, exhibition or other means	
"P" document published prior to the international filing date but later than the priority date claimed	

Date of the actual completion of the international search 21 May 2008 (21-05-2008)	Date of mailing of the international search report 2 June 2008 (02-06-2008)
---	--

Name and mailing address of the ISA/CA Canadian Intellectual Property Office Place du Portage I, C114 - 1st Floor, Box PCT 50 Victoria Street Gatineau, Quebec K1A 0C9 Facsimile No.: 001-819-953-2476	Authorized officer Andrew Davidson 819- 953-4505
---	--

INTERNATIONAL SEARCH REPORT
Information on patent family members

International application No.
PCT/CA2007/001579

Patent Document Cited in Search Report	Publication Date	Patent Family Member(s)	Publication Date
US 2005268929A1	08-12-2005	AU 2003288931A1	04-05-2004
		CA 2502295A1	29-04-2004
		EP 1559093A1	03-08-2005
		EP 1559093A4	09-11-2005
		MX PA05003932A	18-10-2005
		RU 2005112198A	10-10-2005
		US 6832614B2	21-12-2004
		US 7248230B2	24-07-2007
		US 7320327B2	22-01-2008
		US 2004085258A1	06-05-2004
		US 2004129285A1	08-07-2004
		US 2005098191A1	12-05-2005
		US 2006191550A1	31-08-2006
		US 2007236409A1	11-10-2007
		WO 2004036540A1	29-04-2004
<hr/>			
US 6662806B2	16-12-2003	JP 2002212825A	31-07-2002
		US 2002056464A1	16-05-2002
<hr/>			
WO 2007013754A1	01-02-2007	None	