



- (51) International Patent Classification:
H02K 16/04 (2006.01) *H02K 49/10* (2006.01)
- (21) International Application Number:
PCT/EP2012/051206
- (22) International Filing Date:
26 January 2012 (26.01.2012)
- (25) Filing Language: English
- (26) Publication Language: English
- (30) Priority Data:
1102682.0 16 February 2011 (16.02.2011) GB
- (71) Applicant (for all designated States except US): **ROLLS-ROYCE PLC** [GB/GB]; 65 Buckingham Gate, London SW1E 6AT (GB).
- (72) Inventors; and
- (75) Inventors/Applicants (for US only): **MOUNTAIN, Stephen** [GB/GB]; c/o Rolls-Royce plc, PO Box 31, Derby, Derbyshire DE24 8BJ (GB). **CHONG, Ellis** [GB/GB]; c/o Rolls-Royce plc, PO Box 31, Derby, Derbyshire DE24 8BJ (GB).
- (74) Agents: **HARTLEY, Andrew** et al.; Rolls-Royce plc, PO Box 31, Derby, Derbyshire DE24 8BJ (GB).

- (81) Designated States (unless otherwise indicated, for every kind of national protection available): AE, AG, AL, AM, AO, AT, AU, AZ, BA, BB, BG, BH, BR, BW, BY, BZ, CA, CH, CL, CN, CO, CR, CU, CZ, DE, DK, DM, DO, DZ, EC, EE, EG, ES, FI, GB, GD, GE, GH, GM, GT, HN, HR, HU, ID, IL, IN, IS, JP, KE, KG, KM, KN, KP, KR, KZ, LA, LC, LK, LR, LS, LT, LU, LY, MA, MD, ME, MG, MK, MN, MW, MX, MY, MZ, NA, NG, NI, NO, NZ, OM, PE, PG, PH, PL, PT, QA, RO, RS, RU, RW, SC, SD, SE, SG, SK, SL, SM, ST, SV, SY, TH, TJ, TM, TN, TR, TT, TZ, UA, UG, US, UZ, VC, VN, ZA, ZM, ZW.
- (84) Designated States (unless otherwise indicated, for every kind of regional protection available): ARIPO (BW, GH, GM, KE, LR, LS, MW, MZ, NA, RW, SD, SL, SZ, TZ, UG, ZM, ZW), Eurasian (AM, AZ, BY, KG, KZ, MD, RU, TJ, TM), European (AL, AT, BE, BG, CH, CY, CZ, DE, DK, EE, ES, FI, FR, GB, GR, HR, HU, IE, IS, IT, LT, LU, LV, MC, MK, MT, NL, NO, PL, PT, RO, RS, SE, SI, SK, SM, TR), OAPI (BF, BJ, CF, CG, CI, CM, GA, GN, GQ, GW, ML, MR, NE, SN, TD, TG).

Declarations under Rule 4.17:

- as to the identity of the inventor (Rule 4.17(i))
- as to applicant's entitlement to apply for and be granted a patent (Rule 4.17(ii))

[Continued on next page]

(54) Title: AN ELECTRICAL MACHINE

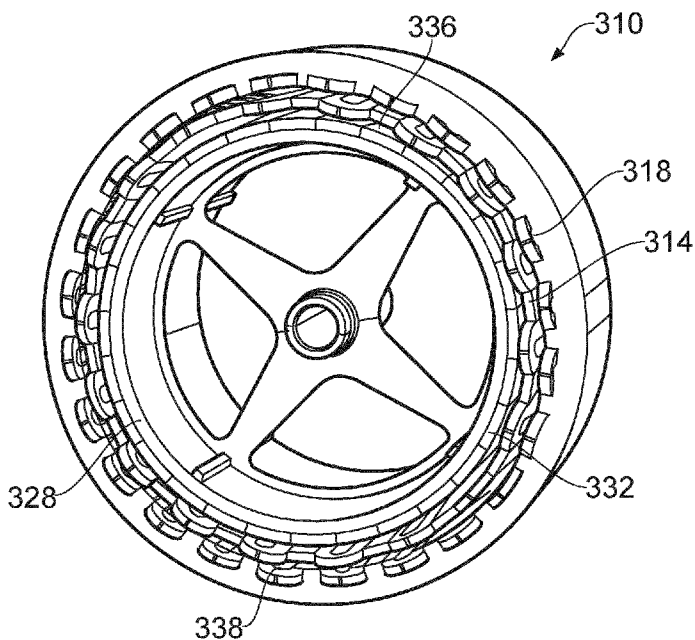


FIG. 3

(57) Abstract: An electromagnetic machine, comprising: a first stator winding having a first number of pole pairs; a second stator winding having a second number of pole pairs which is different to the first number of pole pairs; and, a modulator having a plurality of pole pieces arranged relative to the first and second stator windings so as to modulate the electromagnetic fields produced by the first and second stator windings, thereby matching harmonic spectra of the first and second stator windings.





Published:

(88) Date of publication of the international search report:

28 March 2013

- *with international search report (Art. 21(3))*
- *before the expiration of the time limit for amending the claims and to be republished in the event of receipt of amendments (Rule 48.2(h))*

INTERNATIONAL SEARCH REPORT

International application No
PCT/EP2012/051206

A. CLASSIFICATION OF SUBJECT MATTER
INV. H02K16/04 H02K49/10
ADD.
According to International Patent Classification (IPC) or to both national classification and IPC

B. FIELDS SEARCHED
Minimum documentation searched (classification system followed by classification symbols)
H02K
Documentation searched other than minimum documentation to the extent that such documents are included in the fields searched

Electronic data base consulted during the international search (name of data base and, where practicable, search terms used)
EPO-Internal, WPI Data

C. DOCUMENTS CONSIDERED TO BE RELEVANT

Category*	Citation of document, with indication, where appropriate, of the relevant passages	Relevant to claim No.
X	GB 2 468 888 A (LIMITED MAGNOMATICS [GB]) 29 September 2010 (2010-09-29) page 8, line 10 page 12, line 10 - page 13, line 20 page 14, lines 5-7 page 15, lines 5,14 figure 1	1-7,9-15
X	----- GB 1 376 539 A (AINVARG A S) 4 December 1974 (1974-12-04) page 1, lines 13-24 page 2, lines 16-18,26-30,43-48 page 3, lines 74-80 page 5, lines 24-28,89-90 page 6, lines 6-10 figure 1 ----- -/--	1-7,10, 13

Further documents are listed in the continuation of Box C.

See patent family annex.

* Special categories of cited documents :

"A" document defining the general state of the art which is not considered to be of particular relevance

"E" earlier application or patent but published on or after the international filing date

"L" document which may throw doubts on priority claim(s) or which is cited to establish the publication date of another citation or other special reason (as specified)

"O" document referring to an oral disclosure, use, exhibition or other means

"P" document published prior to the international filing date but later than the priority date claimed

"T" later document published after the international filing date or priority date and not in conflict with the application but cited to understand the principle or theory underlying the invention

"X" document of particular relevance; the claimed invention cannot be considered novel or cannot be considered to involve an inventive step when the document is taken alone

"Y" document of particular relevance; the claimed invention cannot be considered to involve an inventive step when the document is combined with one or more other such documents, such combination being obvious to a person skilled in the art

"&" document member of the same patent family

Date of the actual completion of the international search 14 January 2013	Date of mailing of the international search report 23/01/2013
--	--

Name and mailing address of the ISA/ European Patent Office, P.B. 5818 Patentlaan 2 NL - 2280 HV Rijswijk Tel. (+31-70) 340-2040, Fax: (+31-70) 340-3016	Authorized officer Mayer-Martin, E
--	---

INTERNATIONAL SEARCH REPORT

International application No
PCT/EP2012/051206

C(Continuation). DOCUMENTS CONSIDERED TO BE RELEVANT		
Category*	Citation of document, with indication, where appropriate, of the relevant passages	Relevant to claim No.
X	EP 2 161 821 A1 (GEN ELECTRIC [US]) 10 March 2010 (2010-03-10) paragraphs [0002], [0019], [0021], [0028], [0030] - [0032], [0035], [0036], [0038], [0045], [0047]; figure 6 -----	1-15

INTERNATIONAL SEARCH REPORT

Information on patent family members

International application No

PCT/EP2012/051206

Patent document cited in search report	Publication date	Patent family member(s)	Publication date
GB 2468888	A	29-09-2010	GB 2468888 A
			US 2012094555 A1
			WO 2010109248 A2

GB 1376539	A	04-12-1974	CH 537658 A
			DE 2211953 A1
			FR 2132210 A1
			GB 1376539 A
			JP 49003109 A
			SE 375418 B
			SU 366813 A1
			US 3767950 A

EP 2161821	A1	10-03-2010	EP 2161821 A1
			KR 20100028003 A
			US 2010052323 A1
