



(72) CALCOTE, HAL, US

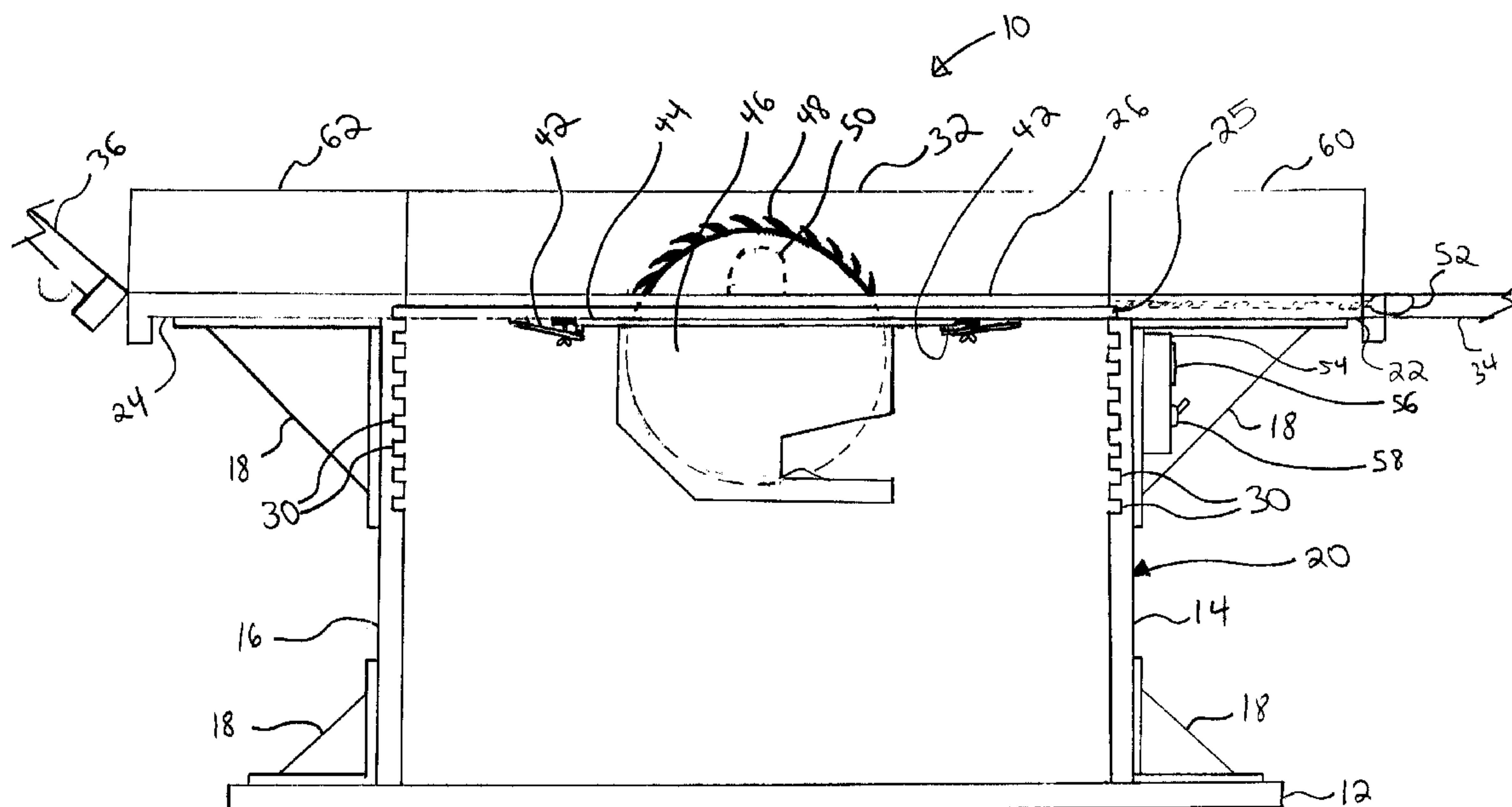
(71) CALCOTE, HAL, US

(51) Int.Cl.<sup>7</sup> B25H 1/02, B27B 5/16, B23D 47/02

(30) 1999/09/08 (09/396,672) US

(54) **SUPPORT DE MONTAGE D'OUTIL ELECTRIQUE**

(54) **POWER TOOL MOUNTING STAND**



(57) The present invention relates generally to power tool mounting tables and work benches. More particularly, this invention pertains to a power tool mounting apparatus for operatively positioning a power tool, comprising a frame; a top for fixably positioning said power tool within said frame, wherein said top is rotatably adjustable within said frame; a slot mounting with a slot profile on said frame; and a slot projection on said top matching said slot profile; wherein said slot projection allows said top to be rotated and mounted to the slot mounting in said frame in a plurality of orientations.

## ABSTRACT

The present invention relates generally to power tool mounting tables and work benches. More particularly, this invention pertains to a power tool mounting apparatus for operatively positioning a power tool, comprising a frame; a top for fixably positioning said power tool within said frame, wherein said top is rotatably adjustable within  
10 said frame; a slot mounting with a slot profile on said frame; and a slot projection on said top matching said slot profile; wherein said slot projection allows said top to be rotated and mounted to the slot mounting in said frame in a plurality of orientations.

**APPLICATION FOR  
UNITED STATES LETTERS PATENT**

Be it known that I, Hal Calcote, a citizen of United States, residing at  
5 2137 Kidd Road, Nolensville, TN 37135; have invented a new and useful  
"Power Tool Mounting Stand."

**BACKGROUND OF THE INVENTION**

The present invention relates generally to power tool mounting tables  
10 and workbenches. More particularly, this invention pertains to multiple tool  
mounting platforms for mounting various power tools.

Several United States Patents have been directed towards systems for  
mounting powered tools. These include United States Patent No. 2,767,747,  
issued to Burrows on October 23, 1956; United States Patent No. 2,786,500,  
15 issued to Unterfranz on March 26, 1957; United States Patent No. 2,803,275,  
issued to Ruben on August 20, 1957; United States Patent No. 3,036,608, issued  
to Weber on May 29, 1962; United States Patent No. 3,556,623, issued to  
Damijonaitis on January 19, 1971; United States Patent No. 4,114,665, issued  
to Decker on September 19, 1978; United States Patent No. 4,252,239, issued to  
20 Snyder on February 24, 1981; United States Patent No. 5,647,420, issued to  
Michell on July 15, 1997; and United States Patent No. 5,722,473, issued to

Tucker on March 3, 1998. A general overview of these patents shows the limitations associated with the prior art systems.

U.S. Patent No. 2,767,747 issued to Burrows on October 23, 1956 discloses a conversion unit for portable saw. This invention is directed to  
5 converting a portable circular saw into a fixed position bench-type or relatively fixed power driven circular saw. This invention utilizes a table with a work supporting platform to hold a circular saw in an upside down position to allow for the portable circular saw to be used like a table or fixed position circular saw.

10 U.S. Patent No. 2,786,500 issued to Unterfranz on March 25, 1957 discloses a combination carrying case and table for portable power tool. This invention is directed towards the combination of the carrying case and mounting stand for a portable power driven tool to allow for the tool to be utilized as a stationary positioned tool. This case may then be converted to  
15 supply a carrying case for protection of the tool during transportation.

U.S. Patent No. 2,803,275 issued to Ruben on August 20, 1957 discloses a portable power table saw. This invention describes the use of a portable motor driven tool assembly which is included in a storage box body adapted to receive a saw blade which extends outside of the box.

20 U.S. Patent No. 3,036,608 issued to Weber on May 29, 1962 discloses a portable supporting and mounting device for power tools. This invention discloses a portable device which may be disassembled for carrying and

transportation. The device may also be assembled to provide a stable platform to mount an angular positioned power saw unit.

U.S. Patent No. 3,556,623 issued to Damijonaitif on January 19, 1971 discloses a combination carrying case and tool holder for portable power tools. 5 This invention discloses a combination carrying case and tool holder for portable power tools such as a router. The device uses a slidable cover and base assembly for mounting a power tool in a fixed manner. Thus, a portable saber saw sander, or similar power tool, such as a router, may also be used and installed.

10 U.S. Patent No. 4,114,665 issued to Decker on September 19, 1978, discloses a woodworking bench for portable motor driven hand tools. This invention discloses a portable woodworking bench which utilizes collapsible legs to provide a stable surface with a vertical wall or fence for mounting power tools. The device is directed towards the mounting of a power driven hand 15 operated belt sander. However, additional motor driven hand tools including saws and routers are also described as being attached to the woodworking bench.

U.S. Patent No. 4,252,239 issued to Snyder on February 24, 1981 discloses a carpenter's combination portable power-operated hand and table 20 saw. This invention again describes a portable hand carrying case for carrying a circular saw and mounting the circular saw within the case for providing a table saw type operation.

U.S. Patent No. 5,647,420 issued to Michell on July 15, 1997 discloses a cantilevered linear hand-held power tool attachment apparatus. This device is directed towards an attachment device for releaseably mounting a hand held power tool. This device describes a method for attaching a power tool above  
5 and yet in a planar relationship to the top of a work table. The device allows for connections of hand held circular saws, routers and jig saws. This allows for the hand held power tool to be operated on the work piece that is contained between the upper plane holding the power hand saw and the lower table surface.

10 U.S. Patent No. 5,722,473 issued to Tucker on March 3, 1998 discloses a wood bench-based interchangeable power tool mounting and operating apparatus. This invention describes a work bench frame which includes a base. The base supports at least one main support pallet which mounts an electrical power tool. Thus, this bench provides a way to mount particular power tools for  
15 use in a stable operating environment.

These patents fail to recognize the need for multiple mounting heights, the different sizes and mounting systems necessary for mounting various power tools, and a fence rail system. What is needed, then, is a compact, portable, multiple tools system which allows for utilization of portable tools in a stable  
20 work environment.

## SUMMARY OF THE INVENTION

In accordance with the present invention, an improved power tool mounting apparatus and method are provided which addresses the drawbacks of the prior art devices and in one of its exemplary form includes a positionable top for operatively positioning a power tool by adjusting the position of the top in relation to a frame. By utilizing multiple engaging slots on the frame and a matching projection on the square top, the top may be rotated, inverted, horizontally adjusted, and vertically positioned within a frame to support various portable power tools in a variety of positions. The power tools are locked to the top by clamps which utilize "T" shaped grooves as both clamp rails and miter guide grooves.

In accordance with one exemplary embodiment of the present invention, a power tool mounting apparatus is provided comprising a frame with a top for fixably positioning a power tool within the frame. The top may be adjusted and positioned within the frame to position the power tool for operation. The power tool is locked into position by a clamp system that utilizes a clamp base that may be positioned within a clamp rail to fit the size and configuration of the power tool being used. A clamp arm is pivotally connected to the clamp base and is used to engage the power tool. Pressure is applied to the clamp arm through a pressure bolt that is inserted through the clamp arm and connected to a pressure base. The clamp base and pressure base slide within a t-groove

until the pressure from the pressure bolt frictionally engages the pressure base and clamp base against the t-groove.

In accordance with another example of the present invention, a method is disclosed for adjusting a top in a power tool mounting stand which includes  
5 rotating the top to re-orient the portable power tool.

A further example of the present invention is shown in a method for adjusting a top in a power tool mounting stand which includes sliding the top to re-orient the portable power tool.

A still further example of the present invention is disclosed in the  
10 method for adjusting the top in a power tool mounting stand which allows one to invert the top to vertically position the portable power tool.

Yet another example is shown in the method for adjusting a top in a power tool mounting stand by selectively inserting the top into a selected vertical adjustment position to vertically position the portable power tool.

15 Other objects and further scope of the applicability of the present invention will become apparent from the detailed description to follow, taken in conjunction with the accompanying drawings wherein like parts are designated by like reference numerals.

20

## BRIEF DESCRIPTION OF THE DRAWINGS

Fig. 1 is a front view of the power tool mounting apparatus of the present invention.

Fig. 2 is a back view of the power tool mounting apparatus of the present invention.

Fig. 3 is a side view of the power tool mounting apparatus of the present invention.

5 Fig. 4 is a top view of the power tool mounting apparatus of the present invention with the top oriented in a first direction.

Fig. 5 is a top view of the power tool mounting apparatus of the present invention with the top oriented in a second direction.

10 Fig. 6 is a top view of the power tool mounting apparatus of the present invention with supporting ribs and mounting areas.

Fig. 7 is a end view of the top shown in Figure 6.

Fig. 8 is a side view of the power tool clamp system of the present invention.

15 Fig. 9 is an end view of the power tool clamp system of the present invention.

Fig. 10 is a top view of the power tool clamp system of the present invention.

Fig. 11 is an isometric view of the power tool mounting apparatus with a circular saw in a first orientation with a table fence guide.

20 Fig. 12 is an isometric view of the power tool mounting apparatus with a circular saw mounted with the top in a second orientation.

Fig. 13 is a an isometric view of the power tool mounting apparatus with a router in a first orientation with a table fence guide.

Fig. 14 is an isometric view of the power tool mounting apparatus with a saber saw mounted with the top in a second orientation.

5 Fig. 15 is an isometric view of the power tool mounting apparatus with a compound miter saw mounted with the top vertically adjusted to support the bottom of the miter saw.

Fig. 16 is a schematic view of the slot and projection mounting system of the present invention.

10 Fig. 17 is a schematic view of the inverted top utilizing the same slot to adjust the vertical height of the top.

Fig. 18 is a schematic view of the top utilizing a second slot to further adjust the height of the top.

## 15 DESCRIPTION OF THE PREFERRED EMBODIMENTS

As shown in Fig. 1 of the drawings, a power tool mounting apparatus 10 is constructed from an accessory table top 26 which is supported on a frame 20. The top 26 is adjustable within the frame 20 and may be fixably positioned within the frame 20 to support a power tool. The frame 20 is constructed on a  
20 base 12 with a side support system which extends from the base 12 and includes a first side 14 and a second side 16. The first side 14 and the second side 16 are supported by braces 18 which stabilize the sides 14 and 16 on the

base 12. The first side 14 is connected to a first extension 22 by a brace 18. Likewise, a second extension 24 is supported off of the second side 16 by another brace 18. The first extension 22 and second extension 24 each form a work surface which extends the available work area of the apparatus. The  
5 extensions 22 and 24, sides 14 and 16, base 12 and braces 18 form a frame 20 which supports the accessory tabletop 26. The accessory tabletop 26 is supported by a projection 25 on the top 26. This projection 25 inserts into a projection slot 30 which is formed into the first side 14 and second side 16 of the frame 20.

10 Also shown in Figs. 1 and 2 of the drawings are the main fence 32 attached to the first fence extension 60 and the second fence extension 62. This forms the back and guide fence which is standard in tabletop configurations of power tools. An additional item shown in Fig. 1 is the use of wings shown as the folding first wing 34 and the folding second wing 36 which are attached to  
15 the first extension 22 and second extension 24 to allow for an extended work surface for utilizing long pieces of material. Fig. 2 of the drawings shows how a handle 38 may be attached to the folding second wing 36 so that the folding first wing and folding second wing will come together to allow the handle 38 to attach to the handle latch 40. The handle latch 40 is attached to the folding  
20 first wing 34. This allows for the unit to be compacted and utilize the handle 38 to carry the unit for easy transportation purposes.

Returning to Fig. 1 of the drawings, a power tool 46 is shown clamped to the top 26. The power tool 46 is illustrated as a circular saw which utilizes a saw plate 44 for positioning the blade 48. As shown in this illustration, the clamp 42 is utilized to hold the saw plate 44 in a fixable position by clamping  
5 the saw plate 44 against the top 26. This allows for the blade 48 to extend through the top 26 and be utilized on a work piece. When a smaller tool such as a router is used, the fence clearing aperture 50 allows for the fence 32 to be utilized to control the edge of the material being worked upon.

The accessory table adjustment lock 52 extends through the first side 14  
10 in order to clamp the top 26 in position within the frame 20. As shown in Fig. 1, the accessory table adjustment lock 52 may also be an extended piece which allows for the lock 52 to extend through the first extension 22 for easy access and adjustment by the operator. In contrast in Fig. 3, it is shown that the accessory table adjustment lock 52 may also be utilized with minor saw table  
15 adjustment stops 64 which do not require the lock 52 to extend through the first extension 22. For the position shown as the adjustment stop 64 in Fig. 3, it is only necessary that the lock 52 extend through the first side 14. Thus, a lock 52 is shown which fixably positions the top 26 within the frame 20.

An additional feature shown in Figs. 1 and 3 of the drawings is the  
20 electrical box 54 which is used to supply power to the power tool. The electrical box 54 contains an electrical plug receptacle 56 which is controlled by an electrical switch 58. This allows for the portable power tool to be plugged into

the electrical plug receptacle 56 and operatively controlled by the electrical switch 58. The power for the electrical box 54 is supplied through the electrical plug 59 which is attached to a normal power receptacle.

Also shown in Fig. 3 of the drawings is the attachment method for the fence 32 to the frame 20. Wing nuts 72 are utilized to removable attach the fence so that it may be used for applications requiring a fence 32, but may also be removed from the frame 20 when not required.

Figs. 4 and 5 of the drawings illustrate the reorientation of the top 26 within the frame 20 by rotating and repositioning the top 26 within the frame 20. As shown in these Figs. 4 and 5, the top 26 is formed as a square with a slot projection 25 that extends around the perimeter of the top 26. This slot projection 25 is inserted into the sides 14 and 16 for supporting the top 26 in the orientation that is chosen. Thus, because the top 26 is formed as a square, the top 26 may be removed and rotated in relation to the frame 20 for insertion into the sides 14 and 16. This allows for the power tool that is mounted to be oriented in the manner chosen by the user.

While the preferred embodiment of the present invention utilizes a solid top 26, Fig. 6 shows how the top 26 may be manufactured from a molded or cast piece. In the preferred embodiment 26, the power tool is supported by a T-groove 74 which is molded or cut into the top 26. This groove 74 may also be used as a miter guide groove when the tabletop is inverted. An important consideration for molding or casting the top 26 is to supply a circular saw base

plate mounting area 67 or possibly a saber saw or router mounting area 69. These areas are necessary to allow for the clamping system to properly lock and hold the power tool in the proper position on the top 26. Furthermore, as shown in Fig. 6, the necessary T-grooves and miter grooves 74 and 68 will need  
5 to be formed into the top 26 during the manufacturing process. In order to allow for different configurations of power tools, a circular saw and belt sander insert 66 and a saber saw and router insert 70 are envisioned to be separate pieces which may be attached to the top 26 for mounting of various styles and configurations of power tools. The top 26 as envisioned in the cast or molder  
10 process would also utilize reinforcement ribs 76 to further support the top 26.

Fig. 7 of the drawings shows the top 26 with the projection 25 cut away to allow one to properly see the orientation of the clamp grooves 74 and the miter grooves 68. Note that the clamp and miter grooves 60 and 74 are interchangeable for various uses. Thus, if the top is in one orientation, the  
15 bottom grooves will be utilized as clamp grooves while the upper grooves will be utilized as miter guide grooves. Figs. 8-10 of the drawings show the clamp system utilized by the present invention. As previously noted, the top 26 contains a clamp T-groove 74 which is utilized to position the clamp system 77 in position. The clamp system 77 comprises a clamp base 78 which is inserted  
20 into the T-groove 74 for slidable position to properly orient the clamp system 77. This clamp base 78 supports a clamp swivel 80 which supports the clamp arm 82. The clamp arm 82 extends from the clamp base 78 to the opposite end

which utilizes a hard rubber cushion 84 for connection with the power tool to be stabilized. Pressure is placed against the clamp arm 82 by a pressure bolt 88 which screws into the pressure base 86. The pressure bolt 88 is tightened against the pressure base 86 to allow for the clamp arm 82 to be forcibly  
5 pressed towards the T-groove 74. The pressure bolt 88 utilizes a washer 90 and a lock washer 92 to allow for the rotation and locking of position of the clamp system 77.

Fig. 11 of the drawings shows an isometric view of the power tool mounting apparatus 10 of the present invention. For this drawing, the top 26  
10 has been horizontally positioned by sliding the top 26 within the frame 20 to allow for the power tool to be moved closer to the fence 32. Thus, the slot projection 25 has been adjusted within the side slot 30 to horizontally position the top within the frame 20.

Fig. 12 of the drawings shows the top 26 rotated within the frame 20 to  
15 allow for the power tool to be placed in a different orientation.

Fig. 13 of the drawings shows how a router 96 may be positioned within the top 26 to allow for it to be positioned within the fence clearance aperture 50 of the fence 32. Note also that the top 26 has been horizontally positioned within the frame 20 to allow for the router 96 to be utilized along with the fence  
20 32.

Fig. 14 of the drawings shows how a saber saw 98 may be mounted within the top 26 with the fence 32 removed.

Fig. 15 of the drawings shows how a compound miter saw 94 may be mounted on the top 26 within the frame 20. This allows for the apparatus 10 to be utilized as a work support station for other power mounting tools.

Figs. 16-18 of the drawings shows how the vertical adjustment of the top 26 within the second side 16 may be constructed. Fig. 16 of the drawings shows the top 26 in alignment with the second extension 24 such that a flat planar work surface may be utilized. In this orientation, the projection 25 is sized as a half-thickness projection that is sized to engage the side slot mounting 30. This allows for the projection 25 to engage the slot profile of the side slot 30 to allow for the top 26 to be properly oriented to form a planar work surface. Thus, the first surface 27 of the top 26 is in alignment with the top of the second extension 24. As shown in Fig. 17 of the drawings, the top 26 has been inverted such that the first surface 27 of the top 26 is now in a lower position. Thus, the second surface 29 has become the upper surface of the top 26 for utilization as a work surface. Here, once the top has been inverted, the slot projection 25 is still utilized within the side slot 30 that was utilized for alignment of the top 26 with the second extension 24. However, since the top 26 has been inverted, the actual physical location of the upper surface of the top 26 has been reduced to be equivalent to the upper portion of the side slot 30 that is being utilized. Thus, the same side slot 30 allows for two different height adjustments for the top 26. As shown in Fig. 18 of the drawings, the additional of a plurality of further side slots 30 with the slot profile allows for

the top 26 to be further positioned in another vertical adjustment. Thus, the total number of vertical adjustments for the top 26 will be controlled by the number of side slots 30 multiplied times two for allowing the inversion of the top 26 when mounted within the side slot 30.

5           Thus, although there have been described particular embodiments of the present invention of a new and useful Power Tool Mounting Stand, it is not intended that such references be construed as limitations upon the scope of this invention except as set forth in the following claims.

**CLAIMS**

What is claimed is:

1. A power tool mounting apparatus for operatively positioning a power tool, comprising:
  - 5 a frame;
  - a top for fixably positioning said power tool within said frame, wherein said top is rotatably adjustable within said frame;
  - a slot mounting with a slot profile on said frame; and
  - a slot projection on said top matching said slot profile;
  - 10 wherein said slot projection allows said top to be rotated and mounted to the slot mounting in said frame in a plurality of orientations.
  
2. The apparatus of claim 1, further comprising:
  - a top lock for fixably positioning said top within said frame; and
  - 15 a clamp system to hold said power tool to said top.
  
3. The apparatus of claim 1, wherein said frame includes:
  - a base;
  - a side support system extending from said base; and
  - 20 a work surface supported by said side support system.
  
4. The apparatus of claim 1, further comprising:

a handle mechanically connected to the frame for carrying said apparatus during transportation.

5. The apparatus of claim 1, further comprising:

5 a removable fence fixably mounted to the frame.

6. The apparatus of claim 1, wherein said top is vertically adjustable within said frame.

10 7. A power tool mounting apparatus for operatively positioning a power tool, comprising:

a frame;

a top for fixably positioning said power tool within said frame;

a plurality of slot mountings with a slot profile on said frame in a vertical

15 arrangement; and

a slot projection on said top matching said slot profile;

wherein said slot projection allows said top to be mounted to a slot mounting to vertically position said top within said frame.

20 8. A power tool mounting apparatus for operatively positioning a power tool, comprising:

a frame;

a top for fixably positioning said power tool within said frame, wherein  
said top is adjustably positionable within said frame;

a slot mounting with a slot profile on said frame; and

a slot projection on said top matching said slot profile;

5 wherein said slot projection may be inverted to vertically adjust said top  
positioning within said frame.

9. A power tool mounting apparatus for operatively positioning a power  
tool, comprising:

10 a frame;

a top for fixably positioning said power tool within said frame, wherein  
said top is horizontally adjustable within said frame.

a slot mounting with a slot profile on said frame; and

a slot projection on said top matching said slot profile;

15 wherein said slot projection allows said top to be horizontally positioned  
within the slot mounting in said frame in a plurality of positions.

10. A power tool mounting apparatus for operatively positioning a power  
tool, comprising:

20 a frame;

a top for fixably positioning said power tool within said frame, wherein  
said top is adjustably positionable within said frame;

a slot mounting with a slot profile on said frame; and  
a slot projection on said top matching said slot profile;  
wherein said slot projection slidably engages said slot mounting to  
horizontally position said top within said frame.

5

11. A power tool mounting apparatus for operatively positioning a power  
tool, comprising:

a frame;

a top for fixably positioning said power tool within said frame, wherein  
10 said top is adjustably positionable within said frame, wherein said top is formed  
as a square with a half-thickness projection sized to engage vertically  
positioned slots on said frame to allow for vertical, horizontal, and rotational  
positioning of said top within said frame.

15 12. The apparatus of claim 1, wherein said top includes:

inserts for mounting said power tool.

13. The apparatus of claim 1, wherein said inserts allow for positioning a  
power tool selected from a group including a circular saw, a router, a belt  
20 sander, and a saber saw.

Smart & Biggar  
Ottawa, Canada  
Patent Agents



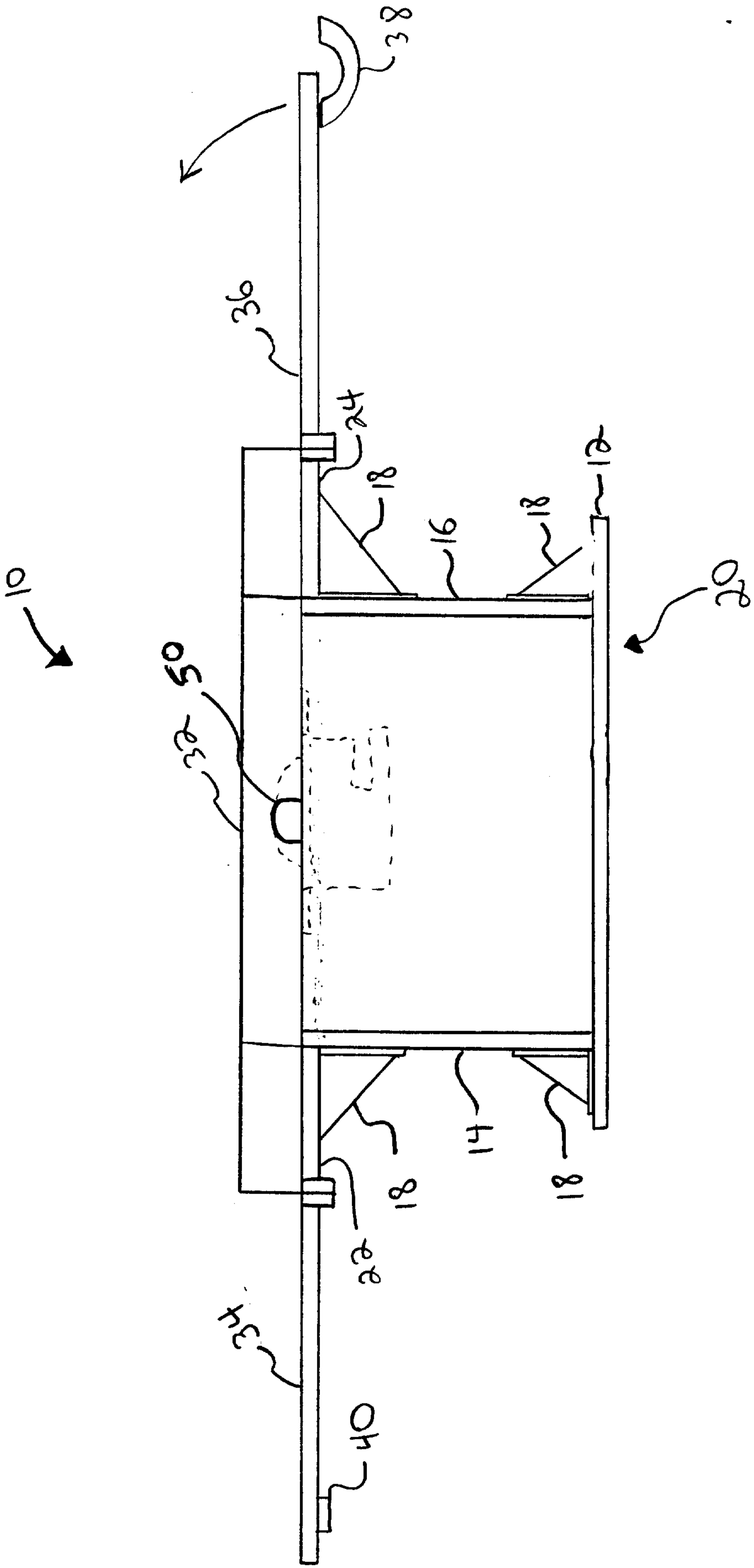


Figure 2

1/1/07

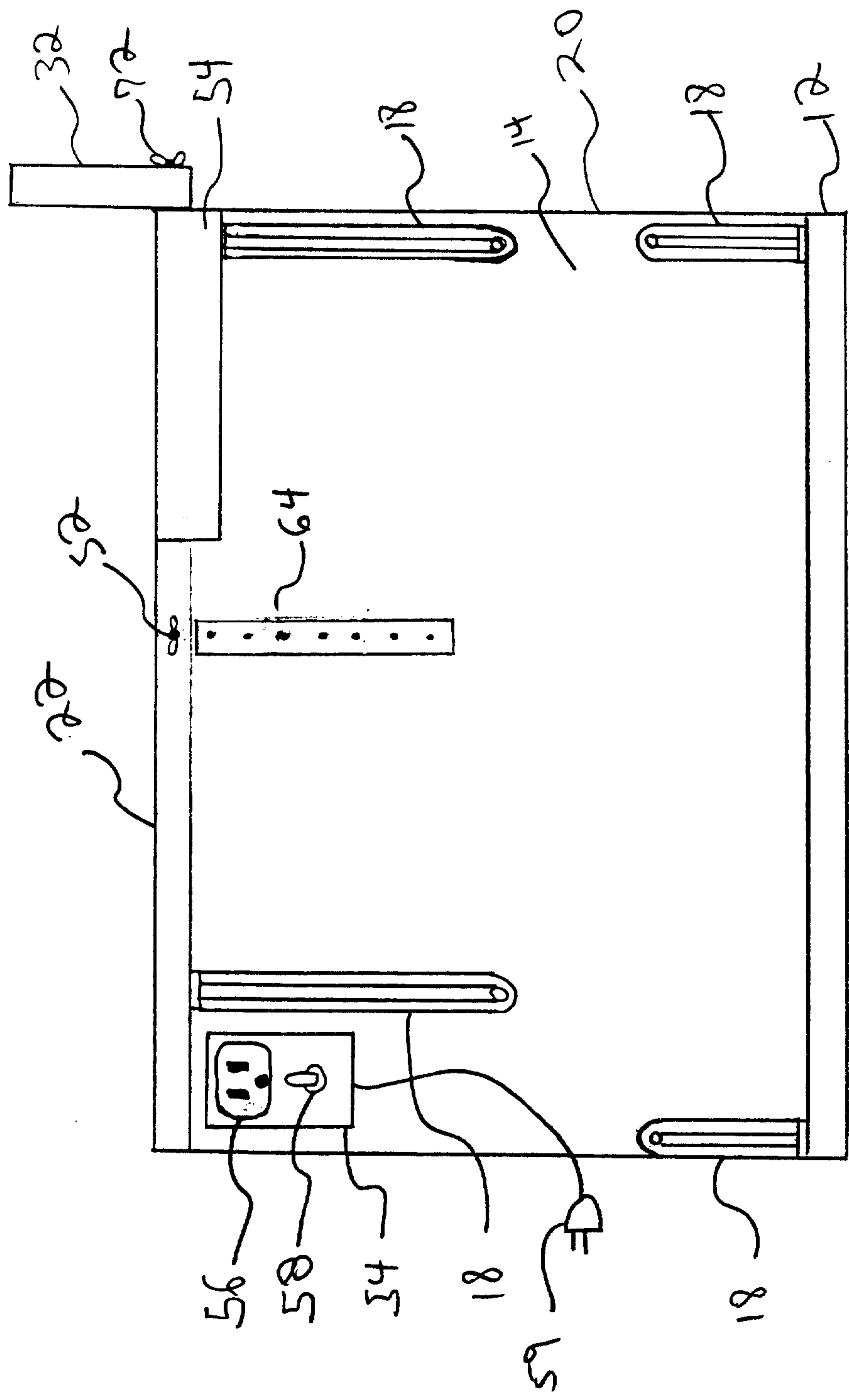
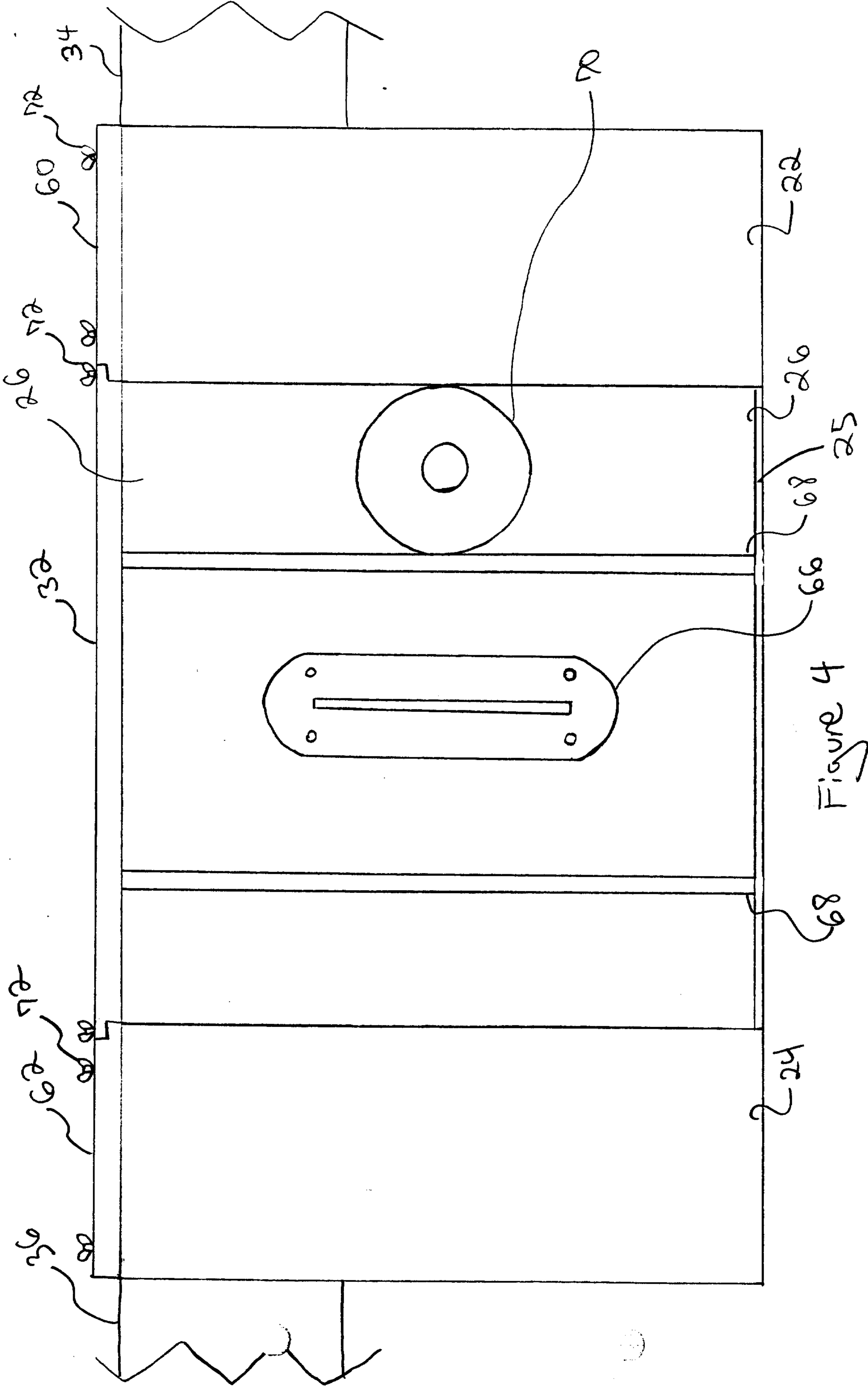


Figure 3



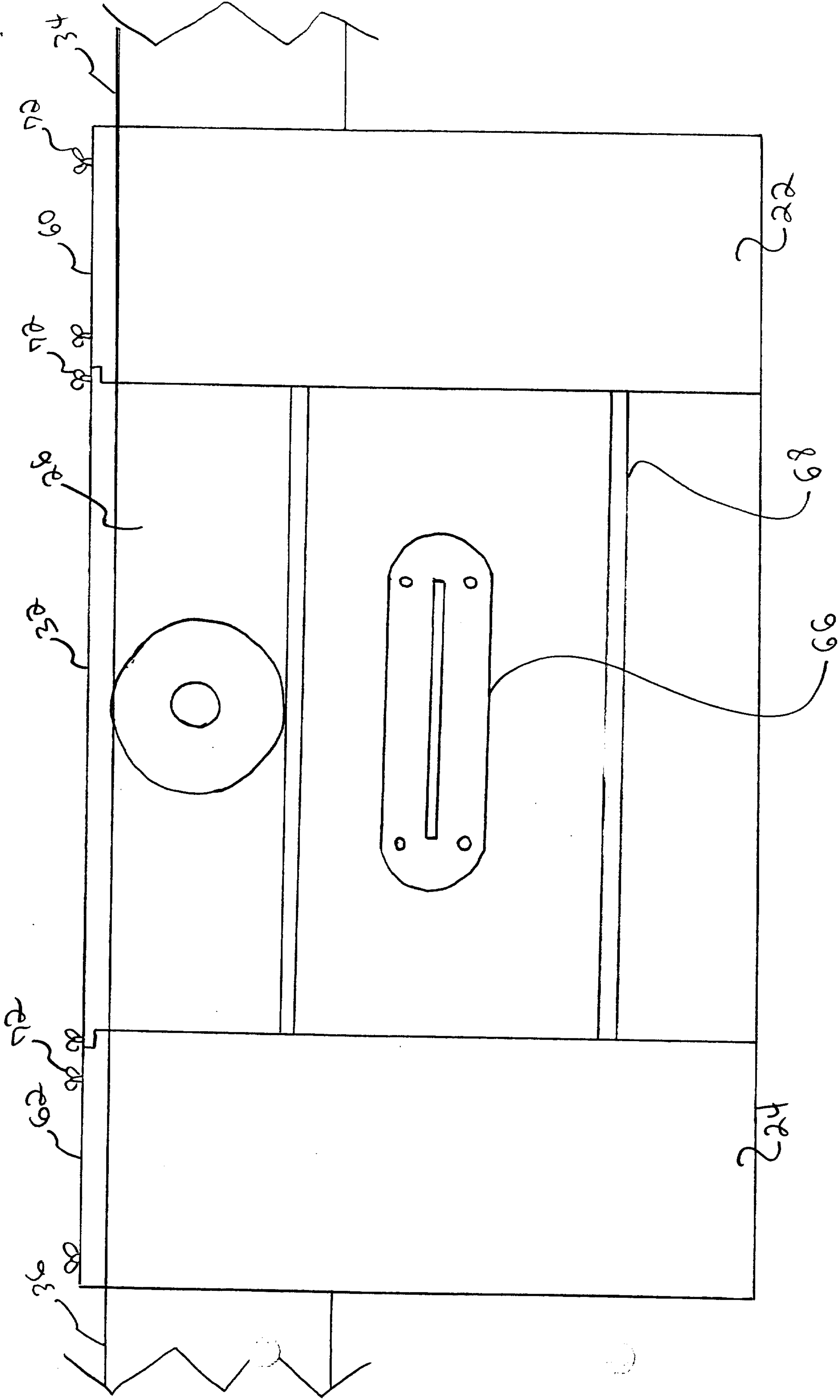
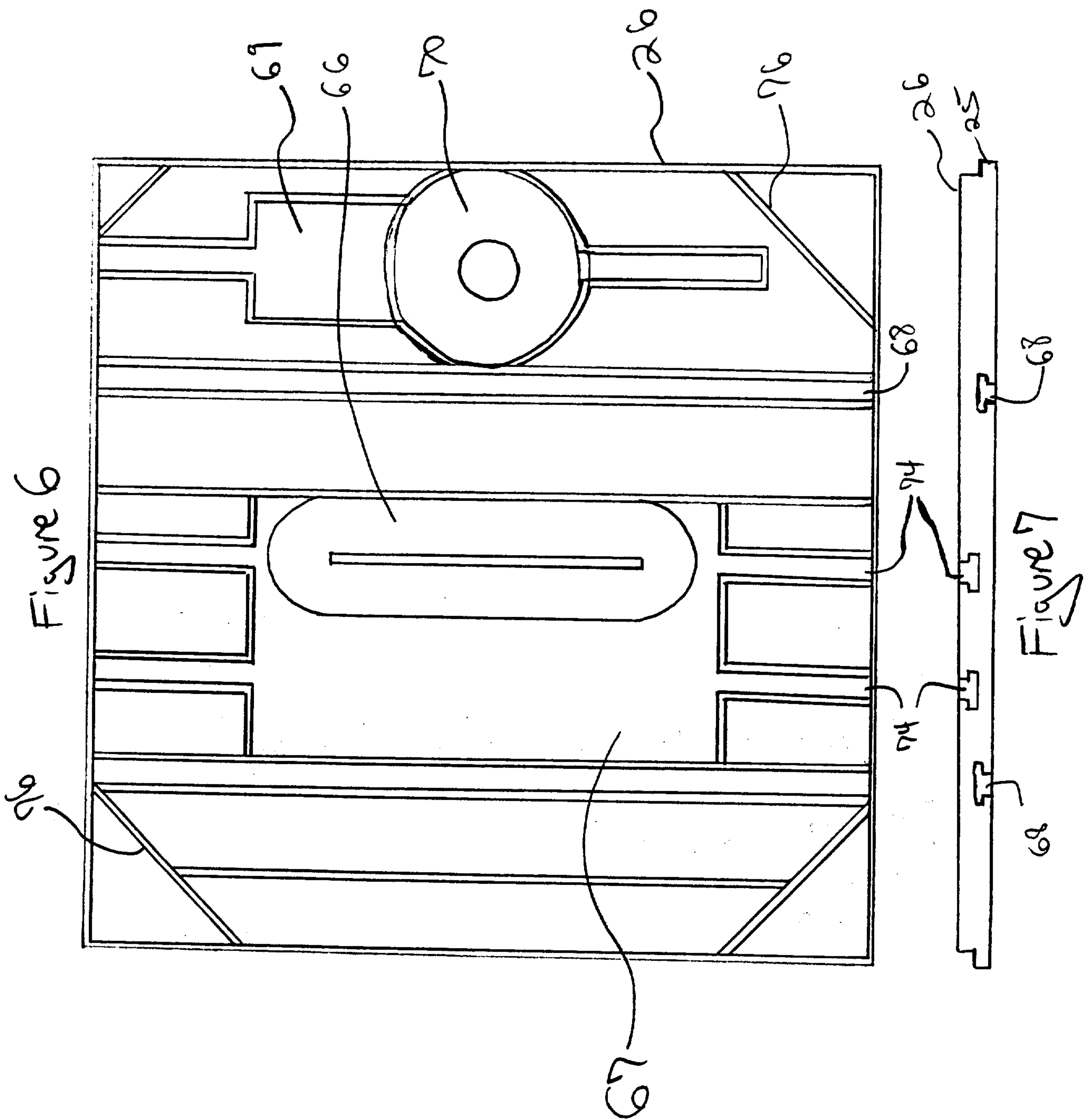


Figure 5



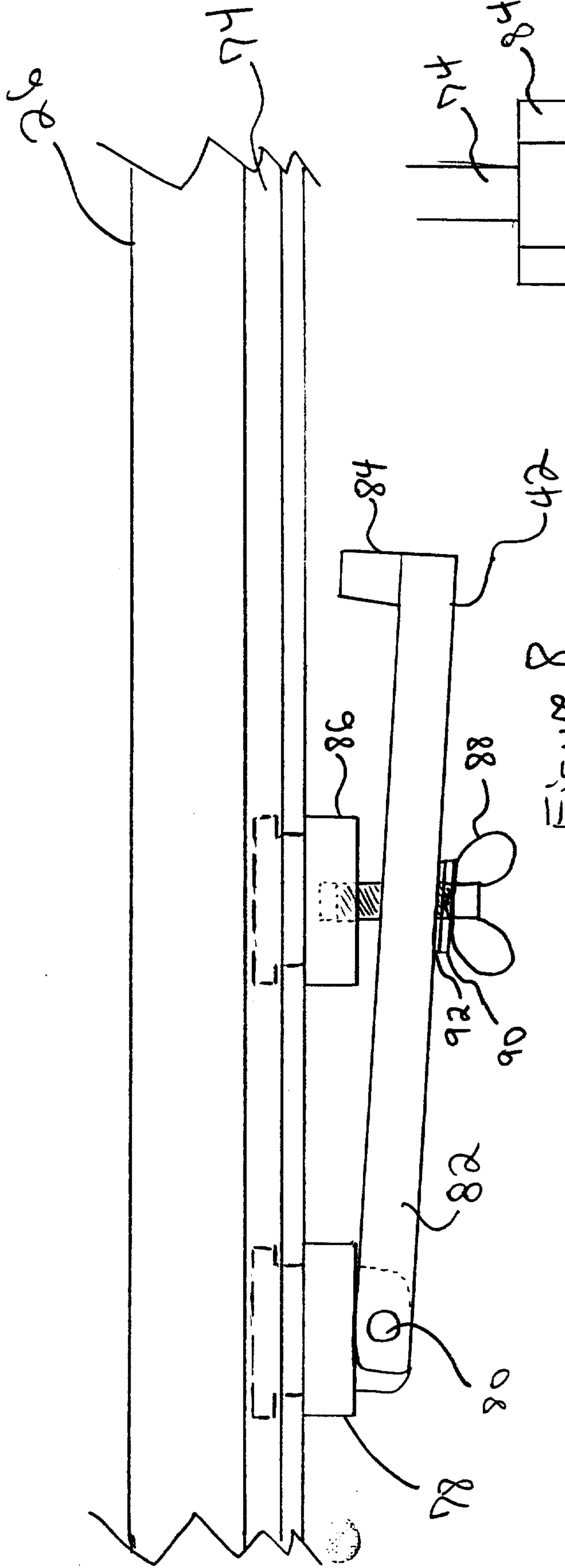


Figure 8

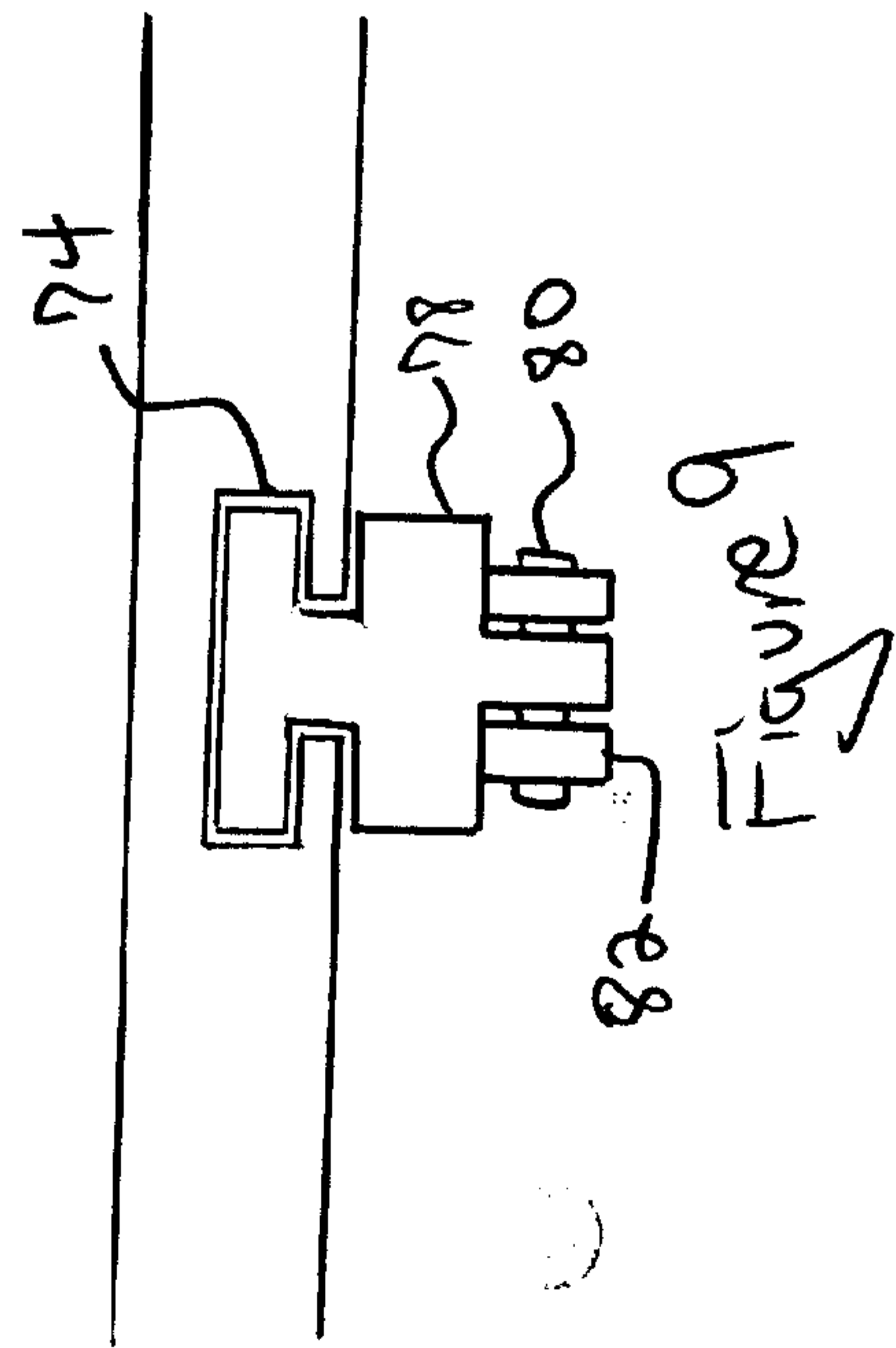


Figure 9

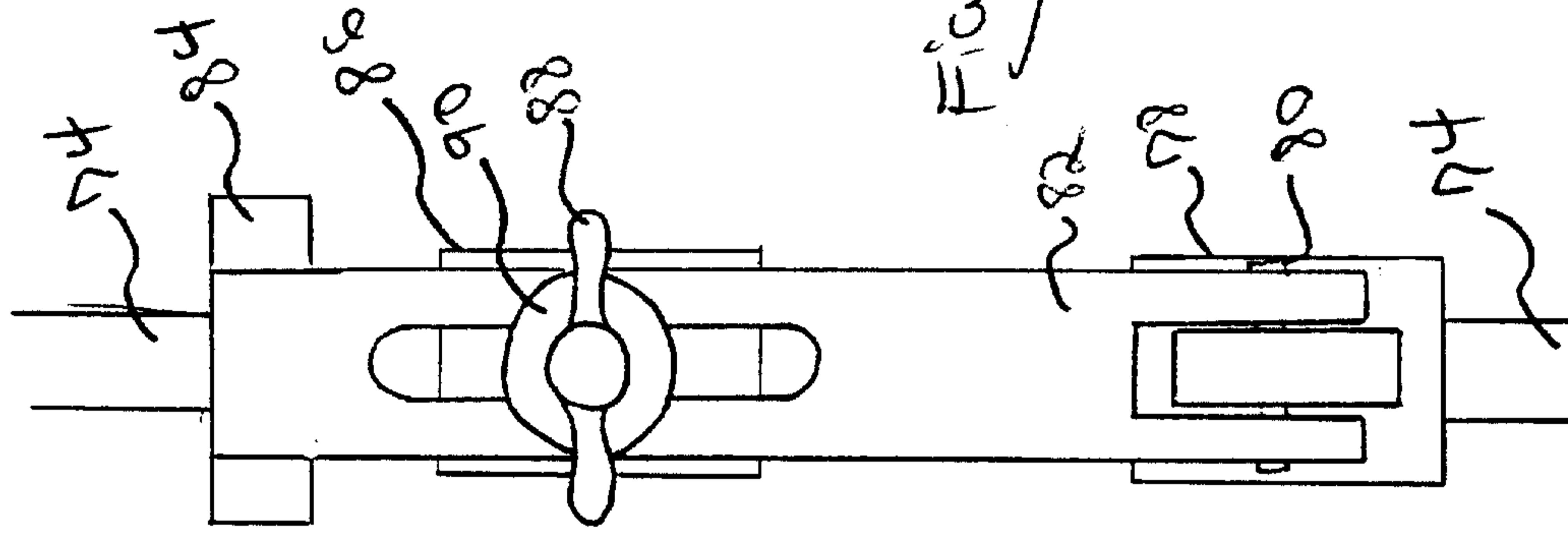


Figure 10

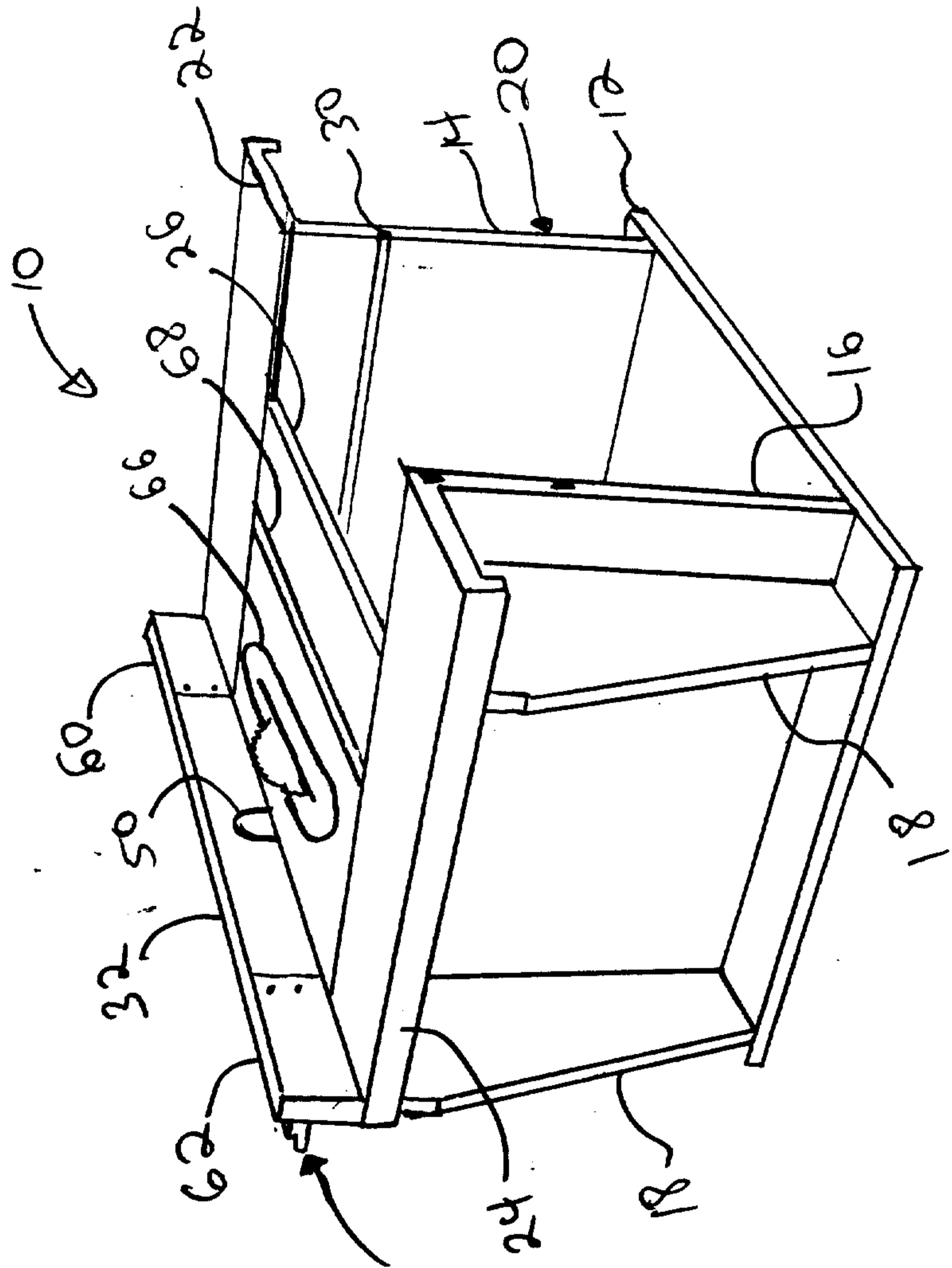


Figure 11

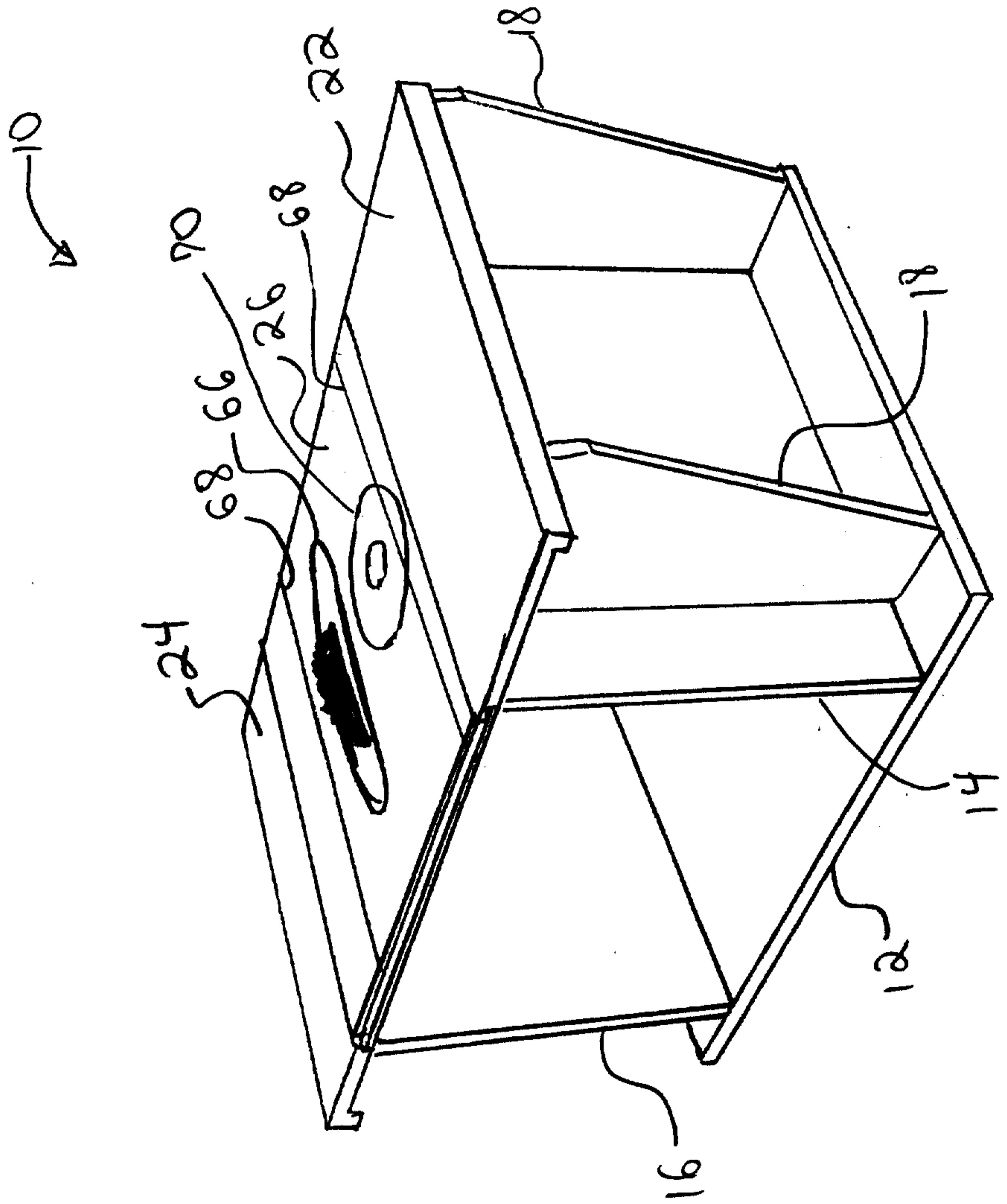


Figure 12

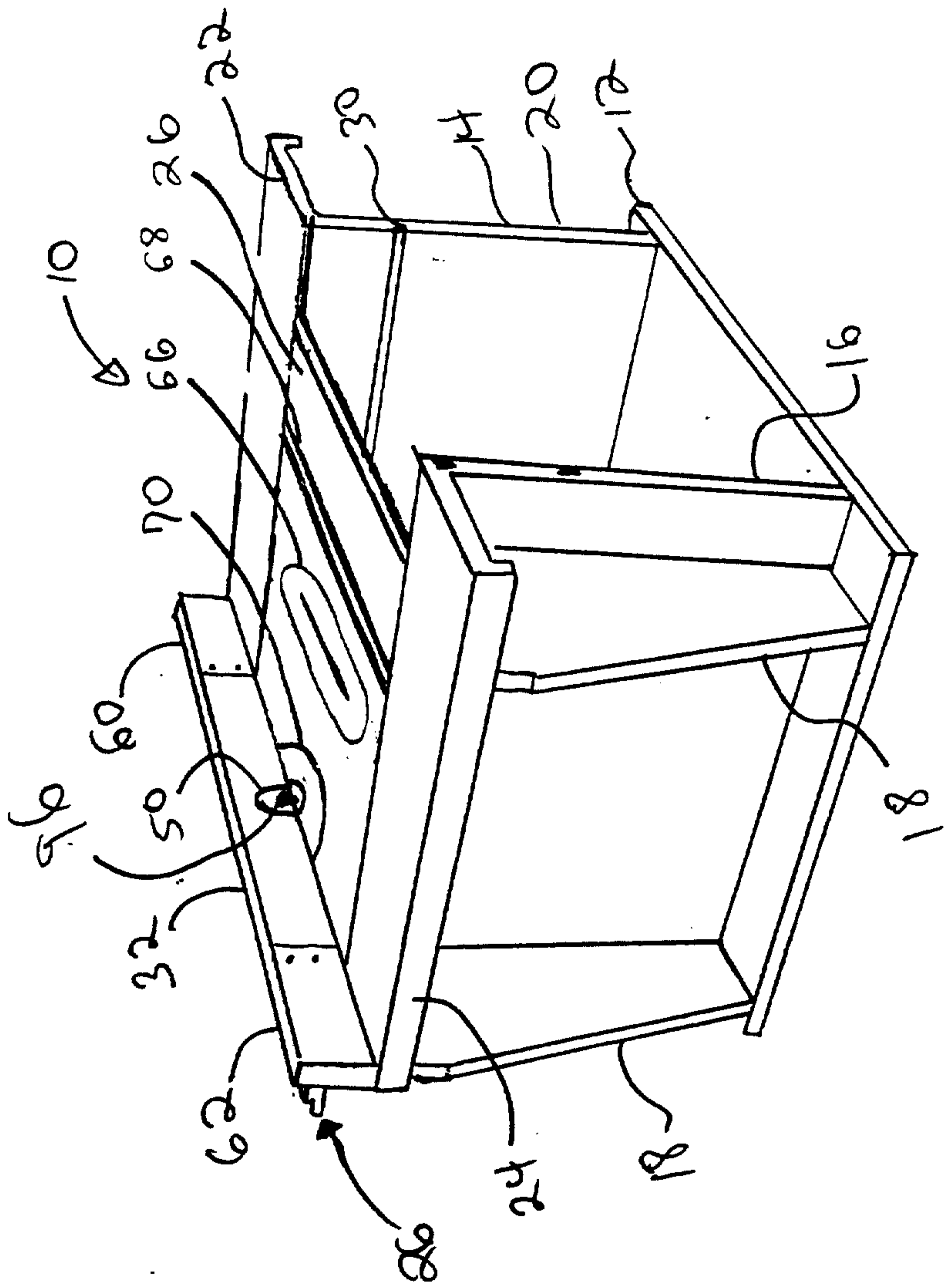


Figure 13

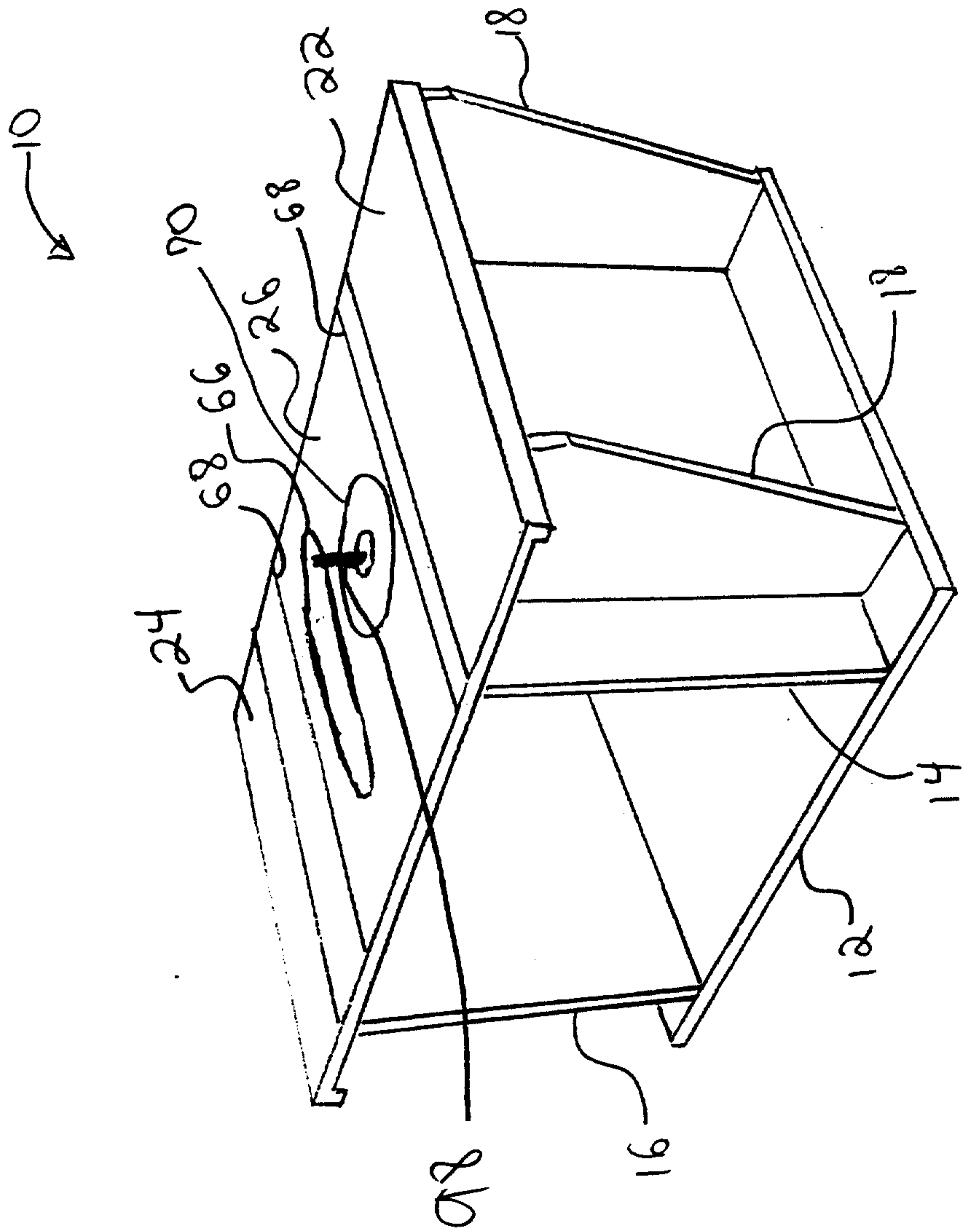


Figure 14

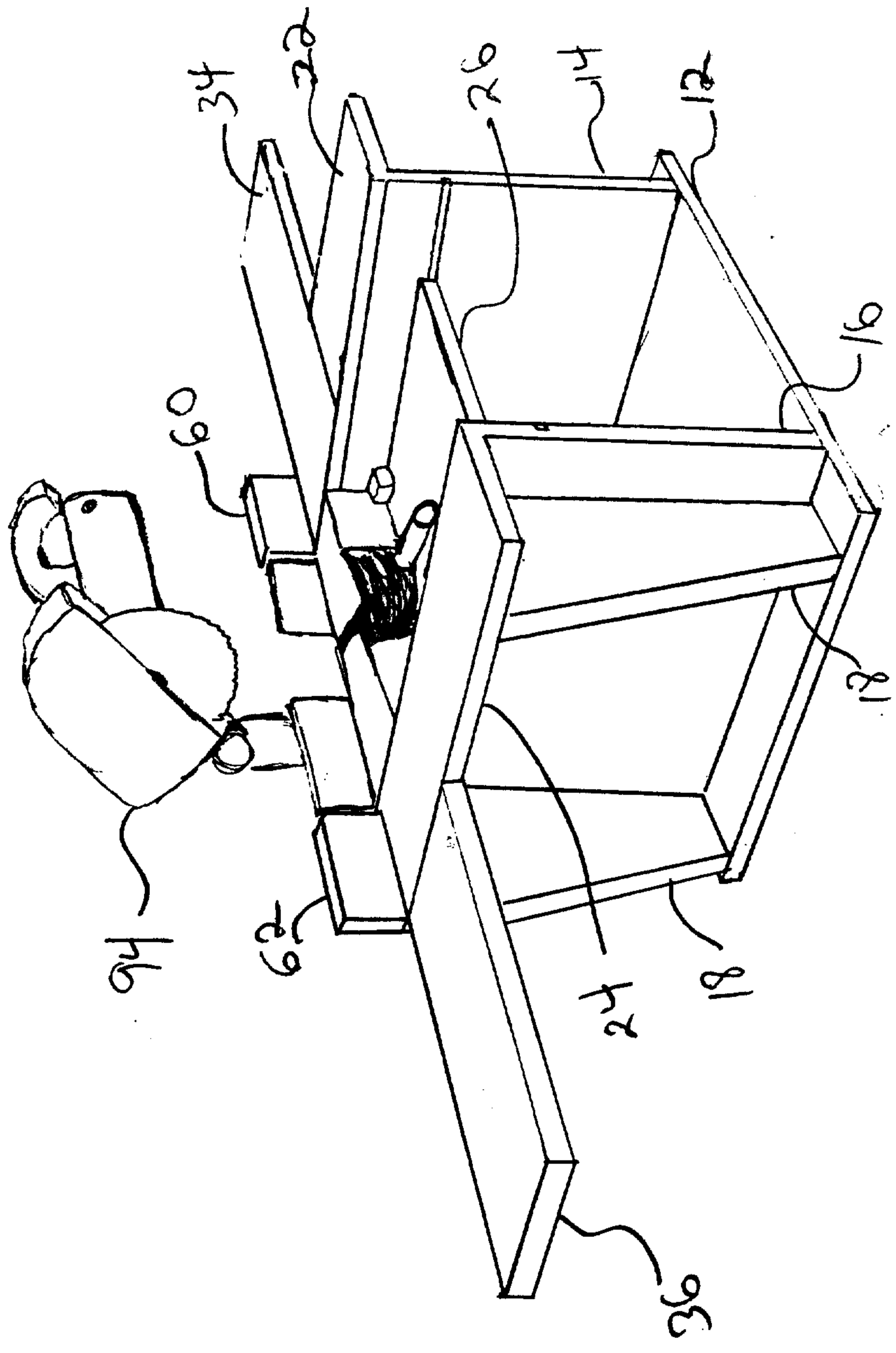


Figure 15

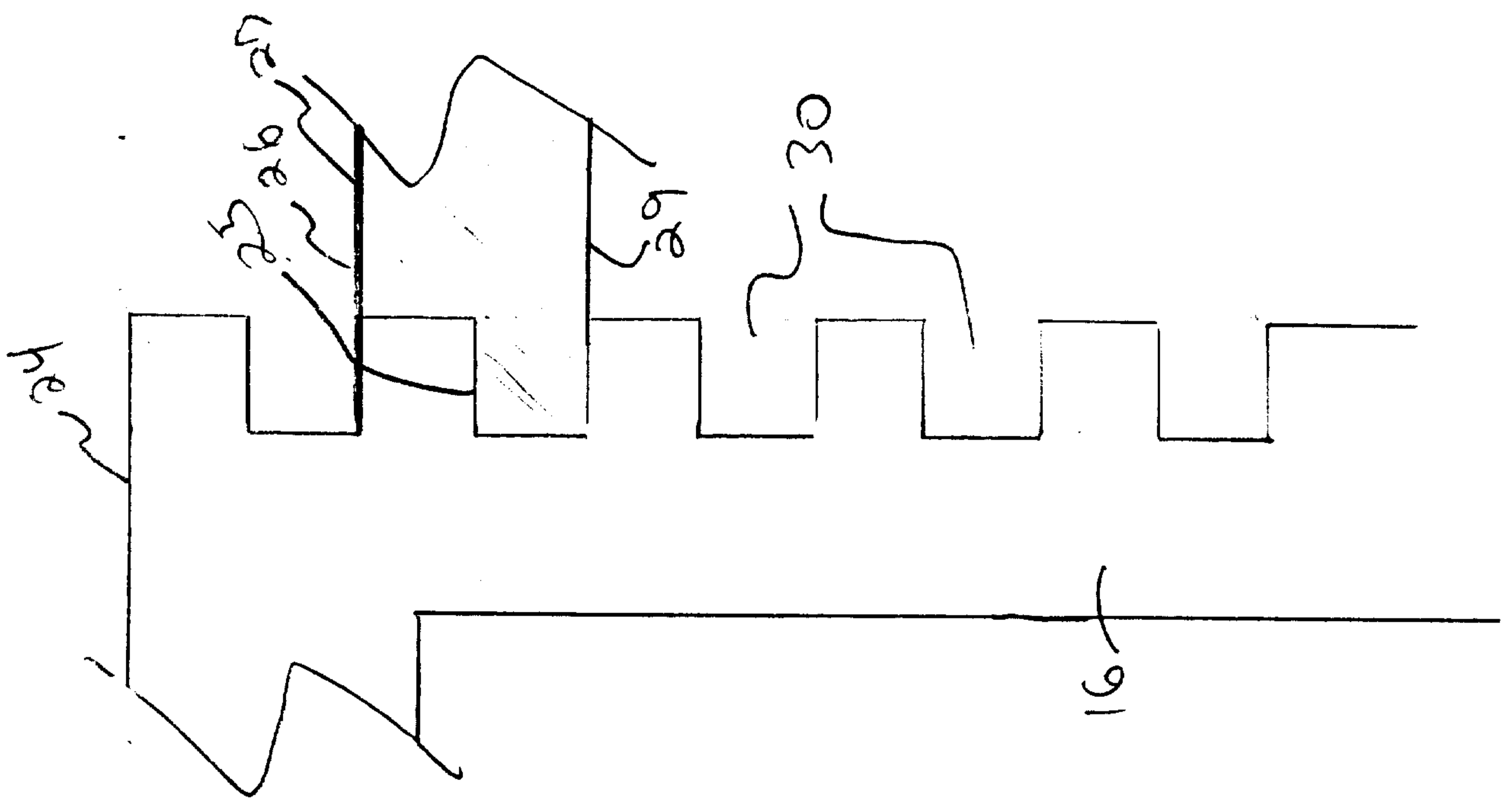


Figure 16

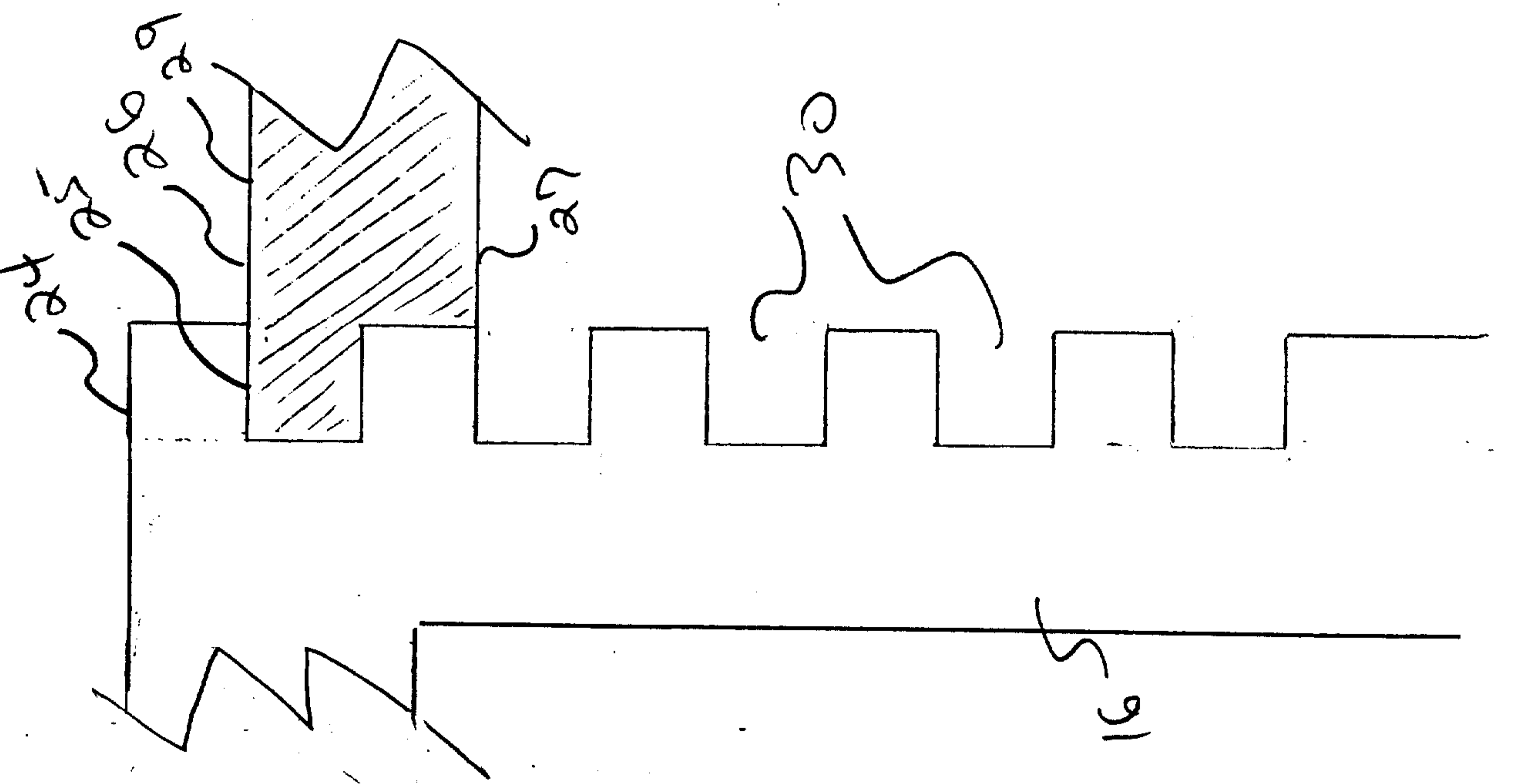


Figure 17

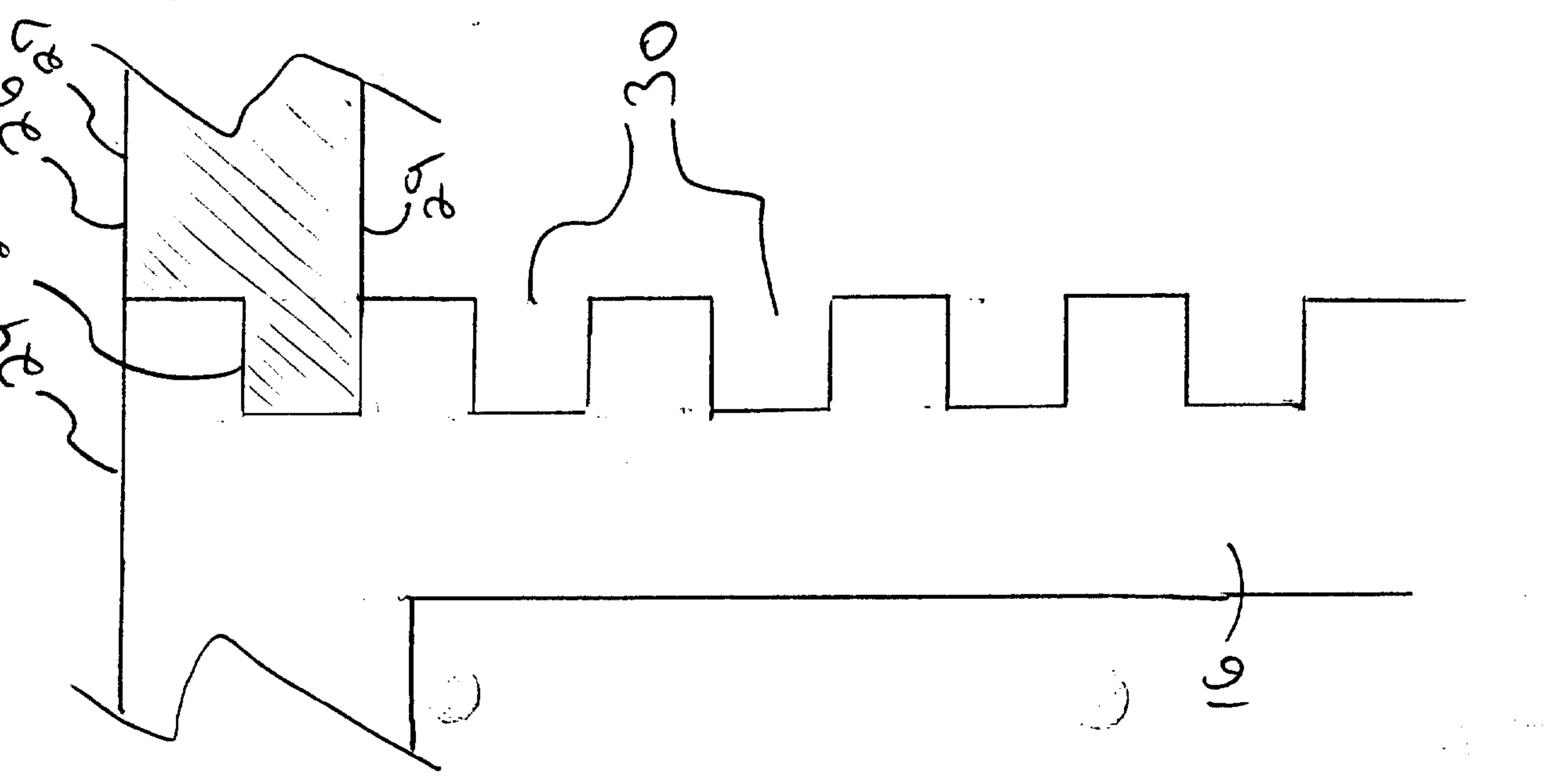


Figure 18

