



US00D409664S

United States Patent [19]

[11] Patent Number: **Des. 409,664**

Perrin et al.

[45] Date of Patent: **** May 11, 1999**

[54] **CARD HOLDER**

[75] Inventors: **Patrick C. Perrin**, Rancho Palos Verdes; **Jimmie L. Whittington**, Diamond Bar, both of Calif.

[73] Assignee: **Perrin Manufacturing Company**, City of Industry, Calif.

[**] Term: **14 Years**

[21] Appl. No.: **29/068,105**

[22] Filed: **Feb. 11, 1997**

[51] **LOC (6) Cl.** **19-02**

[52] **U.S. Cl.** **D19/90; D19/86**

[58] **Field of Search** D19/65, 75, 78, D19/86, 90, 91, 99, 100; 206/387, 425, 39; 211/10, 11, 13.1, 44, 45, 50, 55; D3/294, 201; D20/40; D6/300-310

[56] **References Cited**

U.S. PATENT DOCUMENTS

| | | | | |
|------------|---------|---------------|-------|----------|
| D. 260,054 | 8/1981 | Morgan | | D3/56 |
| D. 268,424 | 3/1983 | Shuman | | D20/40 |
| D. 292,851 | 11/1987 | Krone | | D6/300 |
| D. 354,520 | 1/1995 | Pong | | D19/91 X |
| D. 383,491 | 9/1997 | Chang | | D19/92 X |
| 4,356,918 | 11/1982 | Kahle et al. | | 206/444 |
| 4,538,725 | 9/1985 | Glover et al. | | 206/37 |
| 4,549,669 | 10/1985 | Rozporka | | 220/306 |

| | | | | |
|-----------|---------|-------------------|-------|-----------|
| 5,064,065 | 11/1991 | Takahashi | | 206/387 |
| 5,219,074 | 6/1993 | Mizuno et al. | | 206/387 |
| 5,360,105 | 11/1994 | Morita | | 206/232 |
| 5,452,793 | 9/1995 | DiMeo, Jr. et al. | | 206/39 |
| 5,503,272 | 4/1996 | Morita | | 206/387.1 |

Primary Examiner—Martie K. Holtje
Attorney, Agent, or Firm—Sheldon & Mak

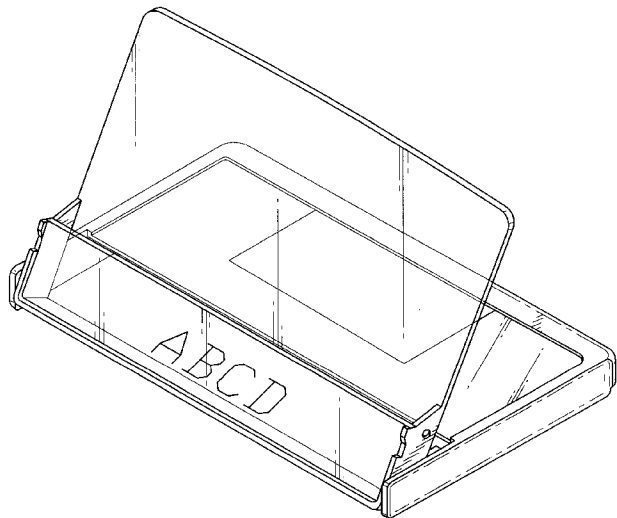
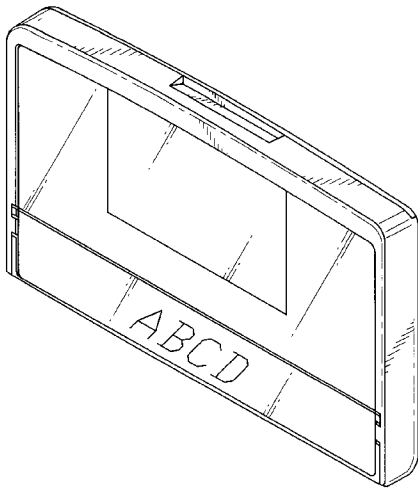
[57] **CLAIM**

The ornamental design for a card holder, as shown and described.

DESCRIPTION

FIG. 1 is a perspective view of a card holder according to the present invention, in a closed position;
 FIG. 2 is a perspective view of the card holder of FIG. 1 in its open position and with a printable surface thereon;
 FIG. 3 is a top plan view of the card holder of FIG. 1;
 FIG. 4 is a bottom plan view of the card holder of FIG. 1;
 FIG. 5 is a front elevation view of the card holder of FIG. 1;
 FIG. 6 is a rear elevation view of the card holder of FIG. 1;
 FIG. 7 is a left side elevation view of the card holder of FIG. 1 with the back flap closed;
 FIG. 8 is a perspective view of the card holder of FIG. 1 in its open position showing the slidably removable lip removed bearing printed indicia thereon; and,
 FIG. 9 is a left side elevation of the card holder of FIG. 1 with the back flap open.

1 Claim, 3 Drawing Sheets



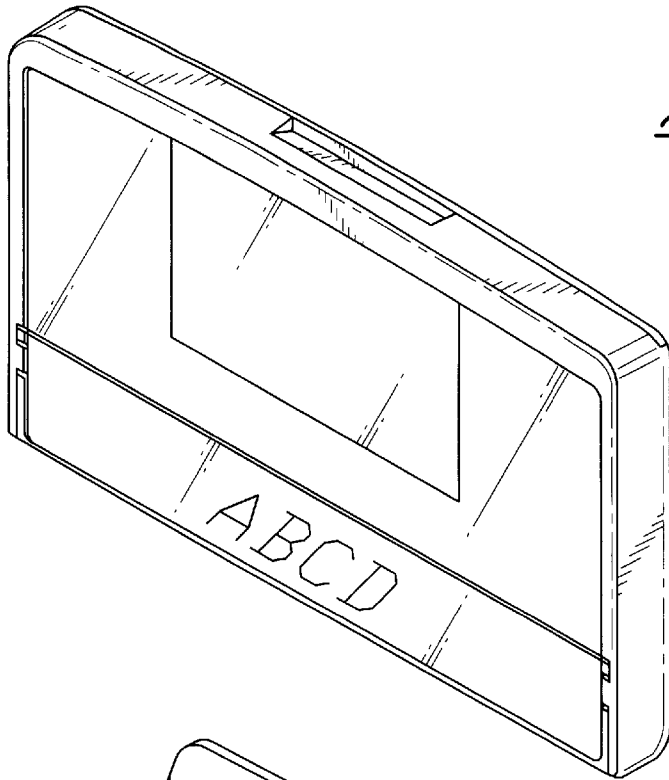


FIG. 1

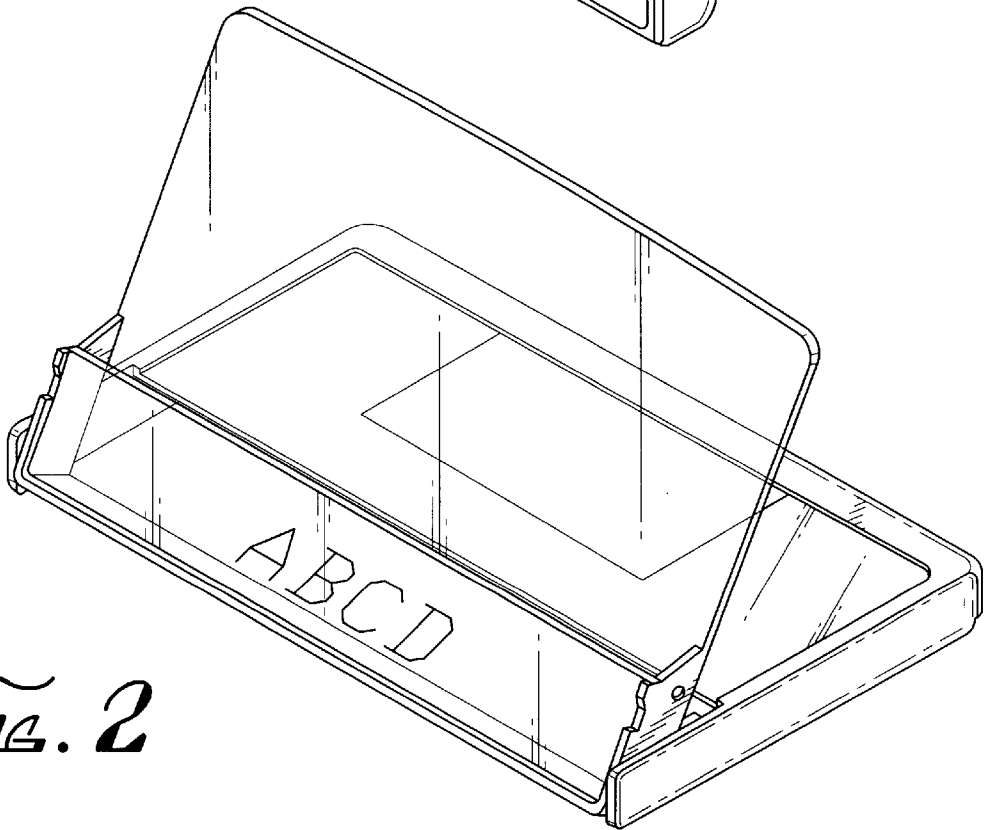


FIG. 2



FIG. 3



FIG. 4

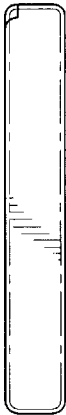


FIG. 7

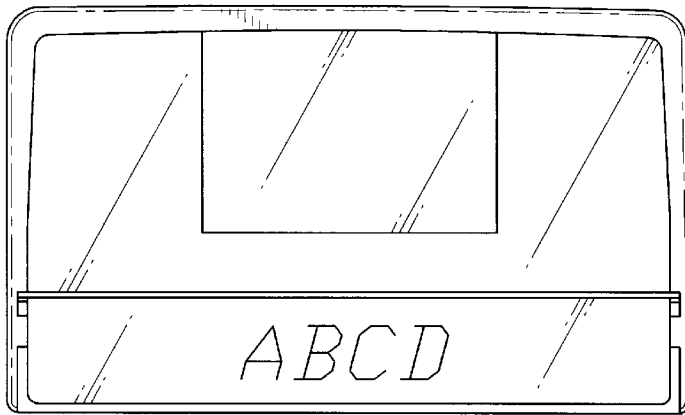
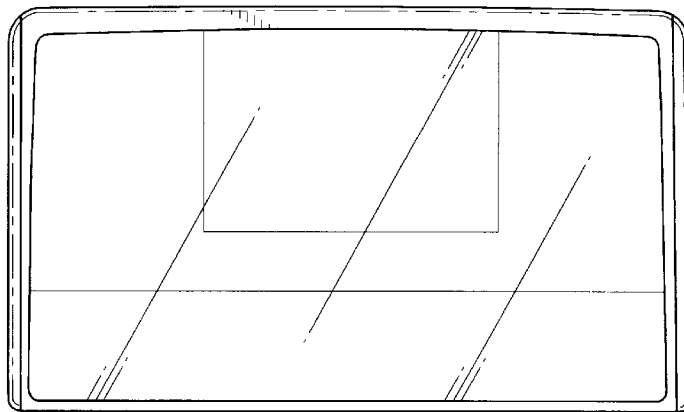


FIG. 5

FIG. 6



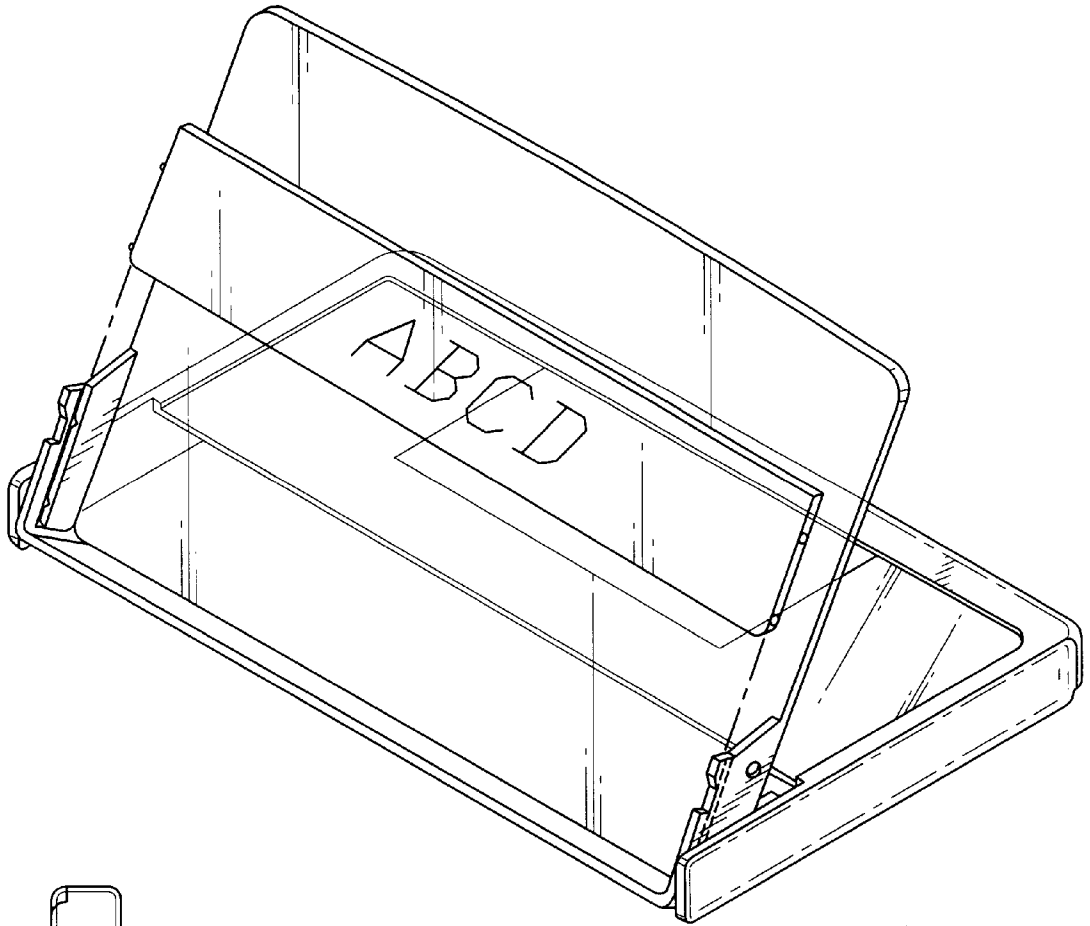


FIG. 8



FIG. 9