



US00D962829S

(12) **United States Design Patent** (10) **Patent No.:** **US D962,829 S**
Hu (45) **Date of Patent:** **** Sep. 6, 2022**

(54) **ELECTRIC BICYCLE**

(71) Applicant: **Shenzhen Coswheel Technology Co., Ltd.**, Guangdong Province (CN)

(72) Inventor: **Ding Hu**, Guangdong Province (CN)

(**) Term: **15 Years**

(21) Appl. No.: **29/753,091**

(22) Filed: **Sep. 30, 2020**

(51) **LOC (13) Cl.** **12-11**

(52) **U.S. Cl.**

USPC **D12/111**

(58) **Field of Classification Search**

USPC D12/111, 117; D21/419, 424
CPC ... B62K 3/00; B62K 3/02; B62K 3/06; B62K 3/08; B62K 9/00; B62K 15/00; B62K 15/006; B62K 15/008; B62K 17/00

See application file for complete search history.

(56) **References Cited**

U.S. PATENT DOCUMENTS

D406,253	S	*	3/1999	Yamashita	D12/110
D727,215	S	*	4/2015	Yang	D12/111
D797,609	S	*	9/2017	Gonzalez-Gancedo Carrillo-Albornoz	D12/111
D807,233	S	*	1/2018	Zhang	D12/111
D811,275	S	*	2/2018	Hendey	D12/111
D814,361	S	*	4/2018	Shi	D12/111
D826,788	S	*	8/2018	Hu	D12/111
D833,916	S	*	11/2018	Yu	D12/111
D864,039	S	*	10/2019	Mathieu	D12/111
D914,548	S	*	3/2021	Chen	D12/111
D925,404	S	*	7/2021	Lin	D12/111

OTHER PUBLICATIONS

“Vanmoof’s Powerbank” Vanmoof., posted date Apr. 20, 2021 [online], [retrieved on Sep. 23, 2021]. Retrieved from the Internet

<URL:https://www.theverge.com/2021/4/20/22392495/vanmoof-powerbank-range-extender-2021-s3-x3-differences> (Year: 2021).*
“Vintage Electric’s Shelby-inspired e-bike looks super cool” Vintage Electric., posted date Mar. 9, 2021 [online], [retrieved on Sep. 23, 2021]. Retrieved from the Internet <URL:https://www.cnet.com/roadshow/pictures/vintage-electric-shelby-e-bike/> (Year: 2021).*
“ANCHEER” Haveago., posted date Jan. 9, 2020 [online], [retrieved on Sep. 23, 2021]. Retrieved from the Internet <URL: https://www.amazon.com/ANCHEER-Electric-Removable-Lithium-Ion-Professional/dp/B0828Z1SQM/ref=sr_1_48?dchild=1&keywords=super+73&qid=1632416520&sr=8-48> (Year: 2020).*

* cited by examiner

Primary Examiner — Darlington Ly

Assistant Examiner — Nasim Abdulaziz Ali

(74) *Attorney, Agent, or Firm* — Prakash Nama; Global IP Services, PLLC

(57) **CLAIM**

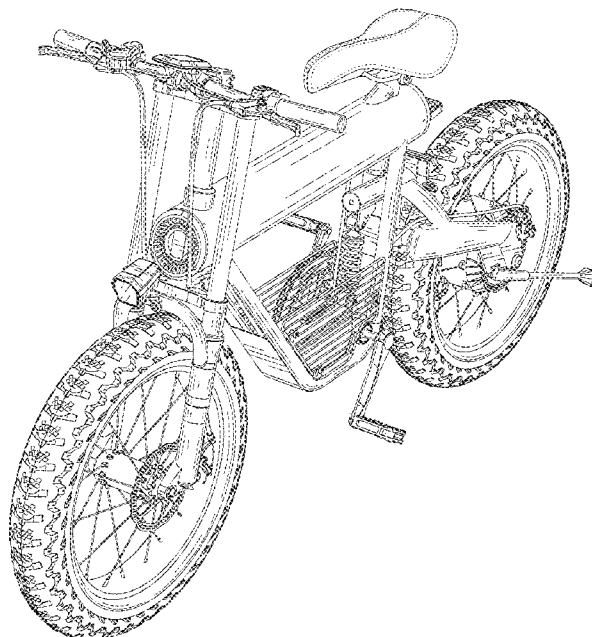
The ornamental design for an electric bicycle, as shown and described.

DESCRIPTION

FIG. 1 is a left side elevation view of an electric bicycle embodying my new design;
FIG. 2 is a right side elevation view thereof;
FIG. 3 is a front elevation view thereof;
FIG. 4 is a rear elevation view thereof;
FIG. 5 is a top plan view thereof;
FIG. 6 is a rear perspective view thereof; and,
FIG. 7 is a front perspective view thereof.

The broken lines in the drawings illustrate portions of the electric bicycle that form no part of the claimed design.

1 Claim, 7 Drawing Sheets



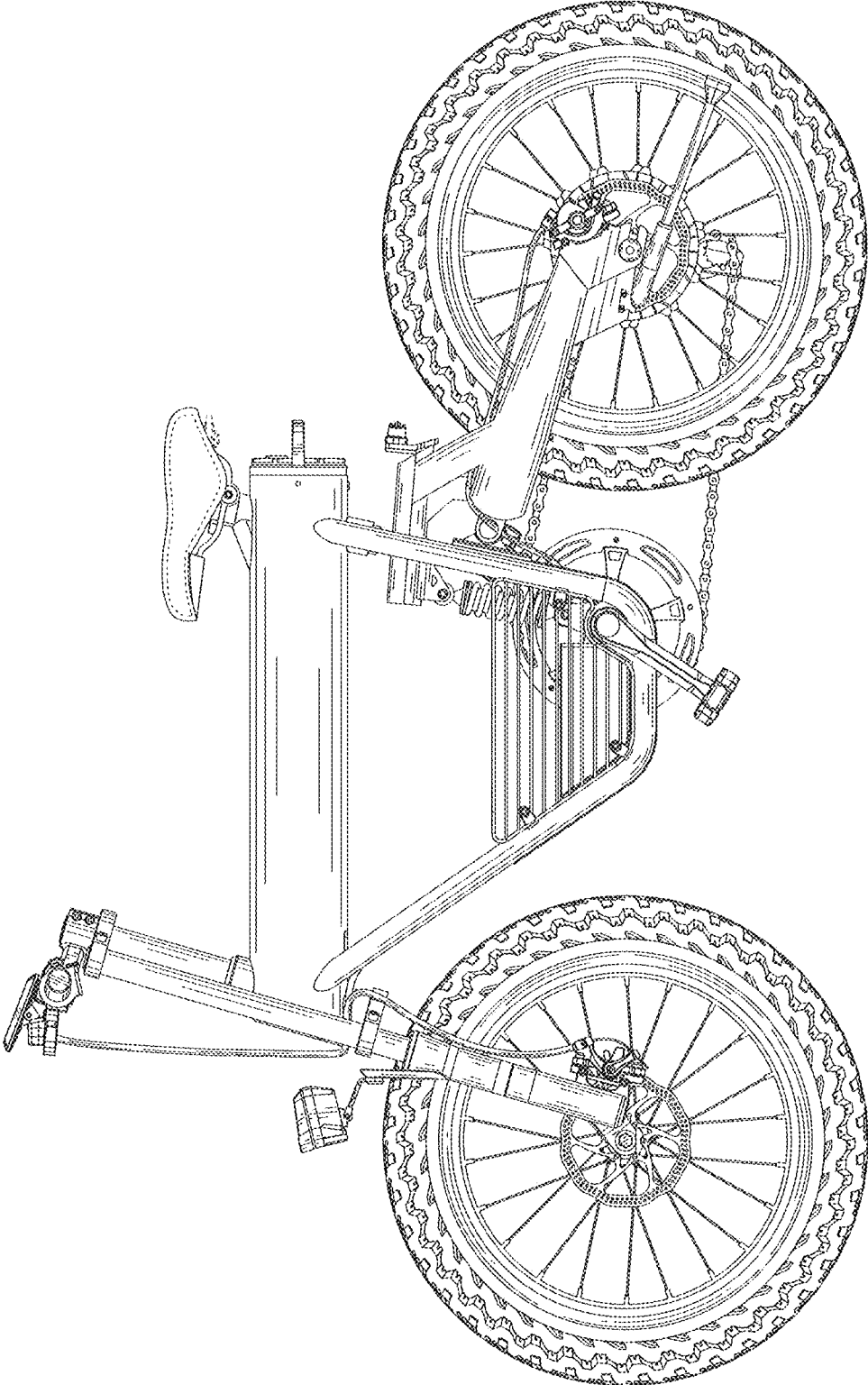


FIG. 1

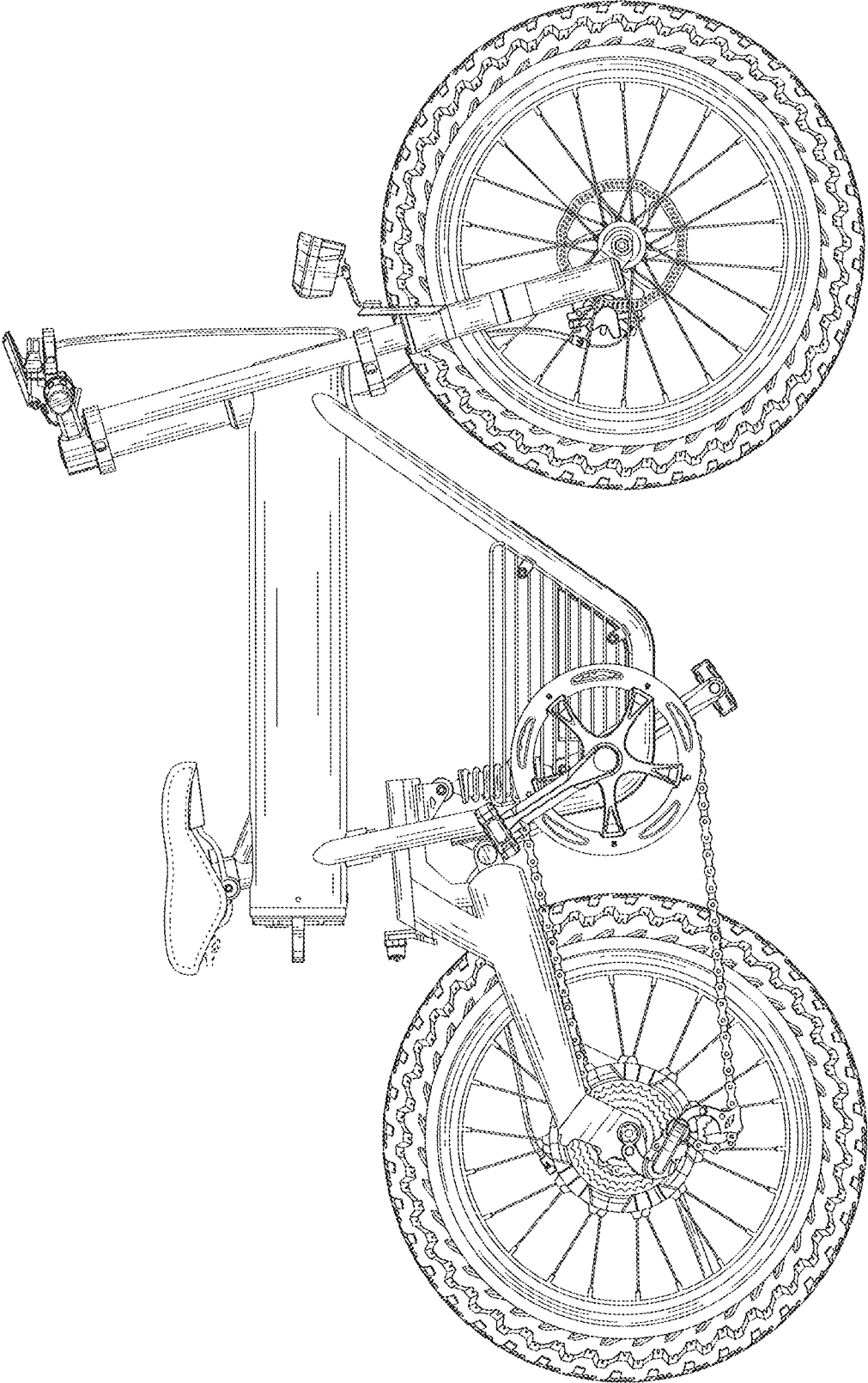


FIG. 2

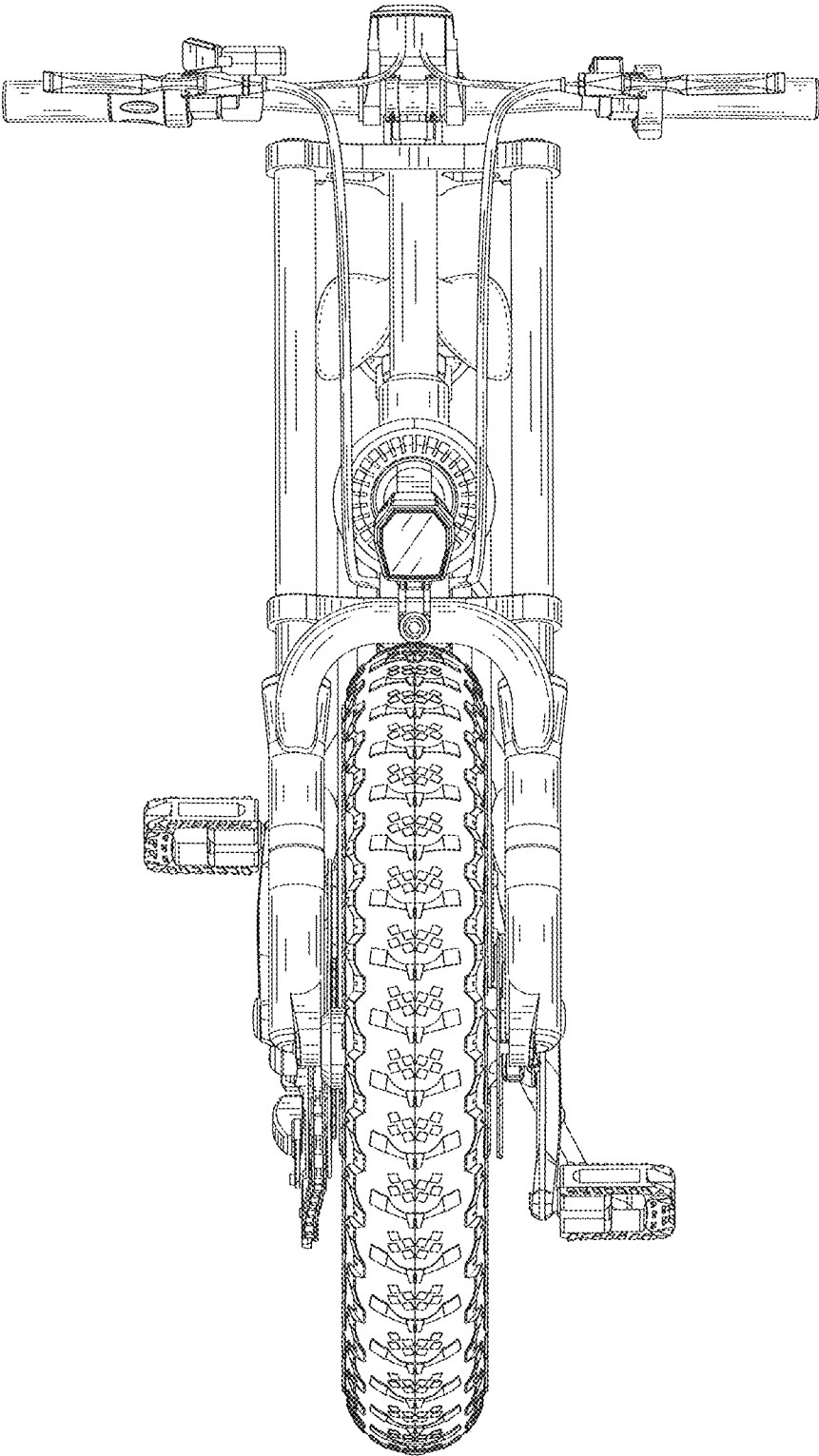


FIG. 3

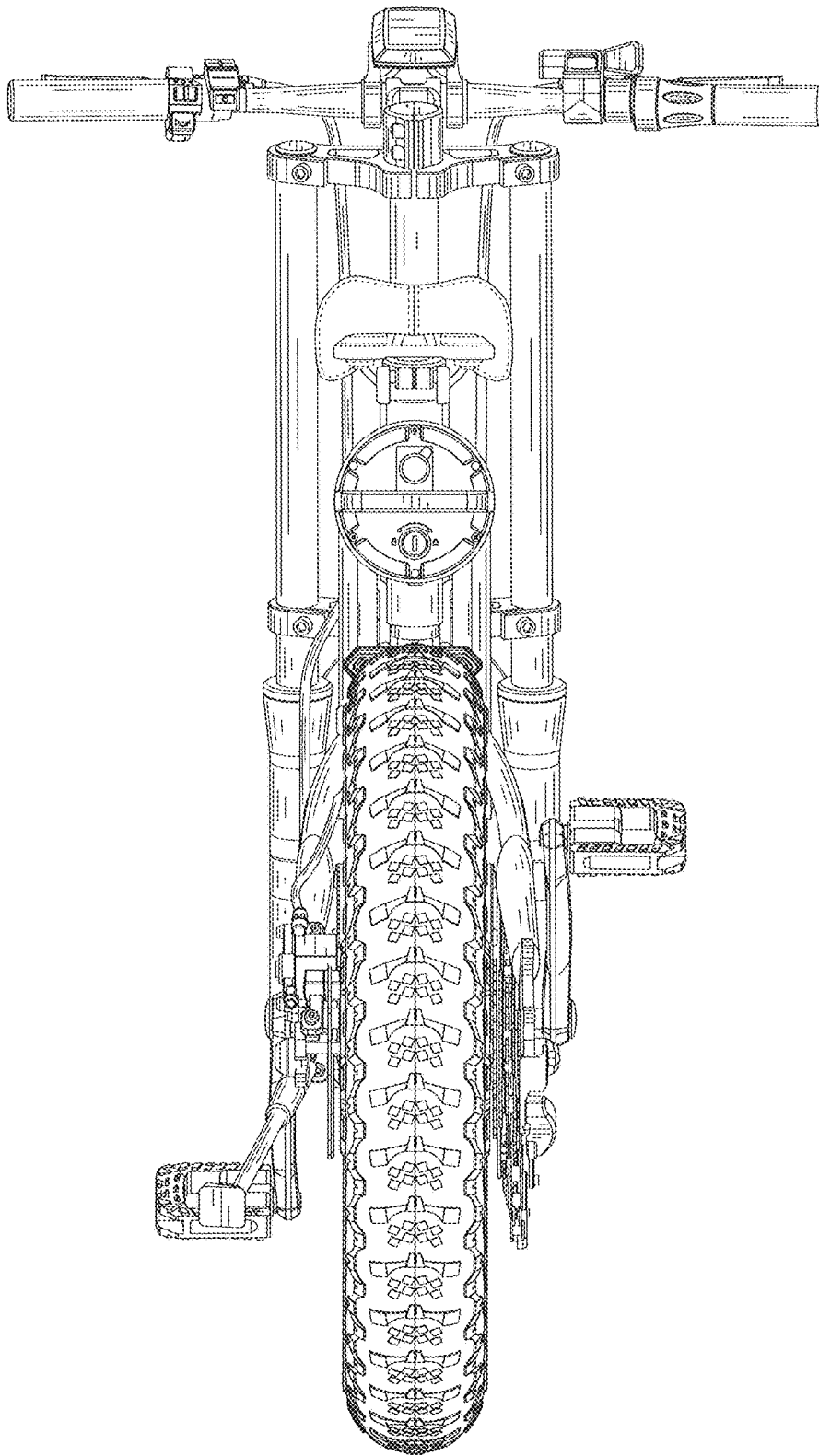


FIG. 4

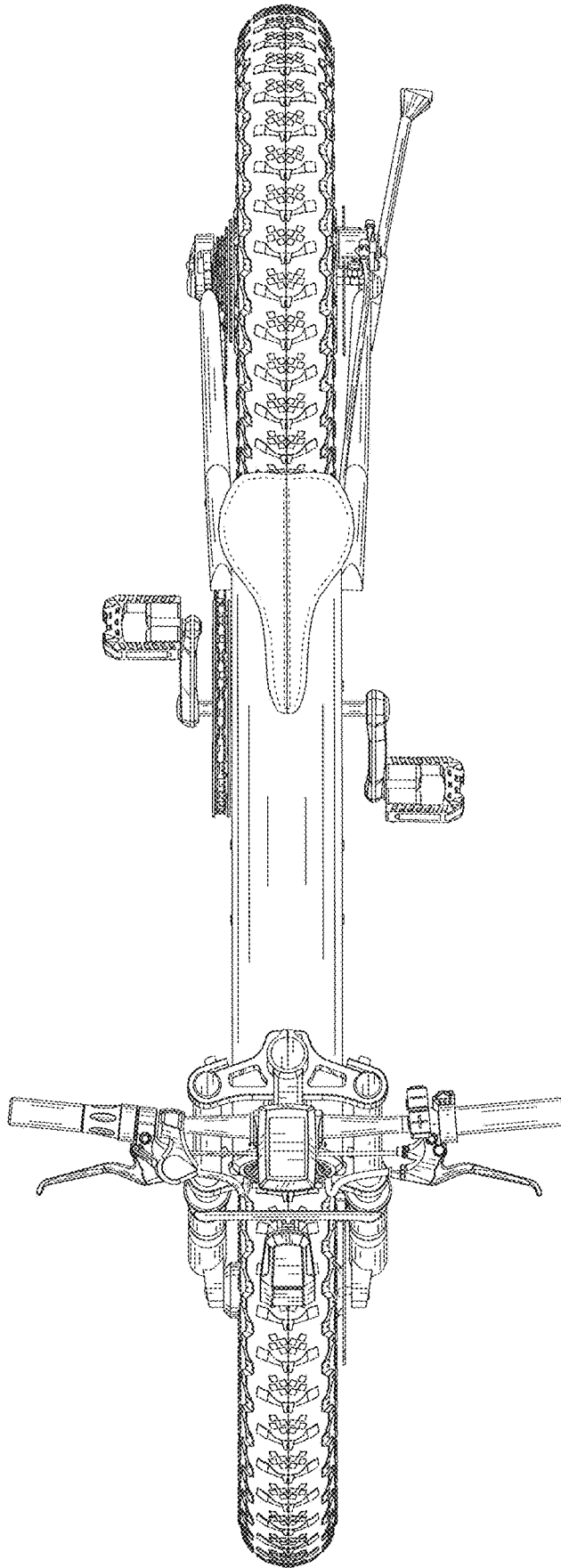


FIG. 5

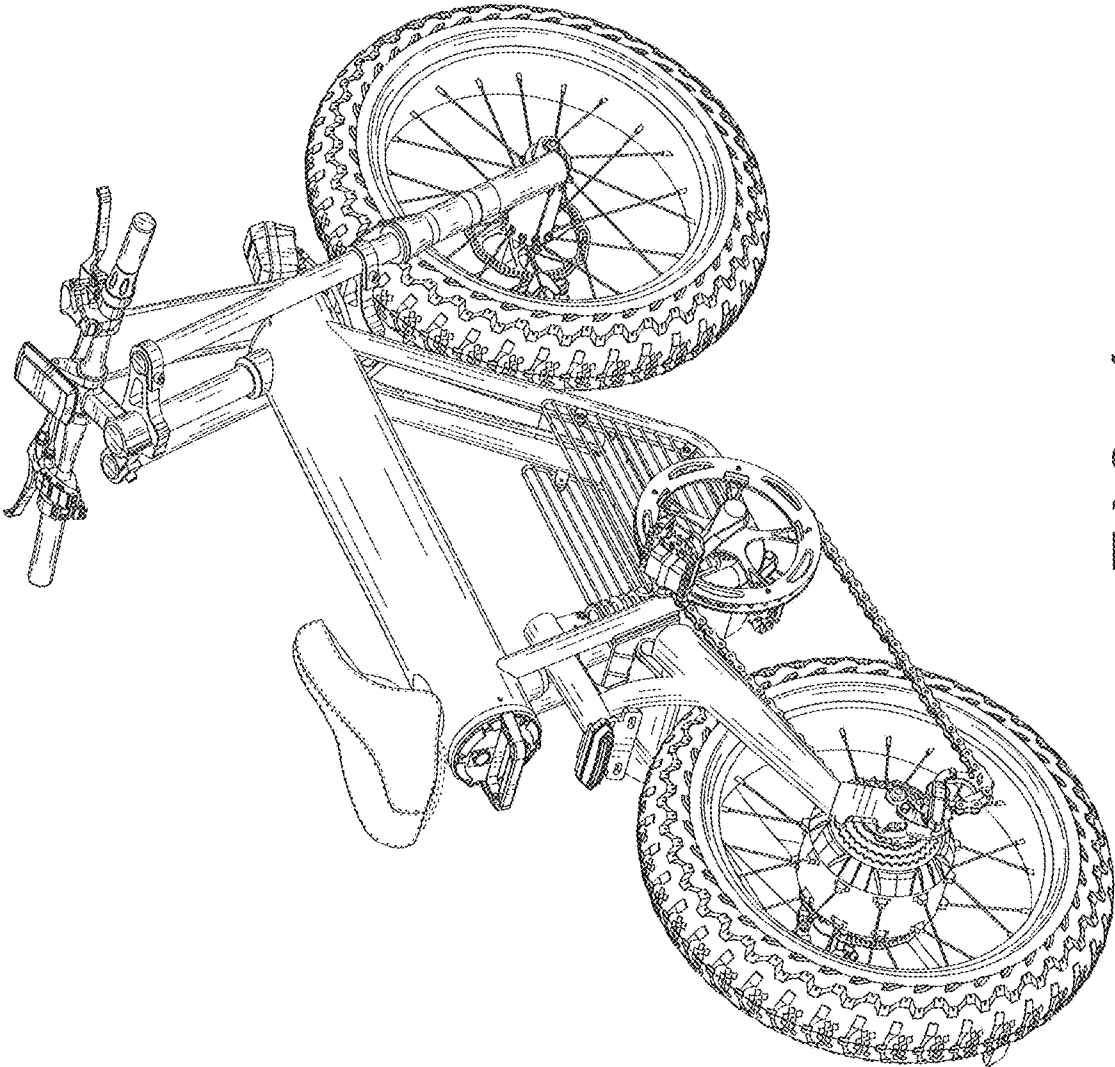


FIG. 6

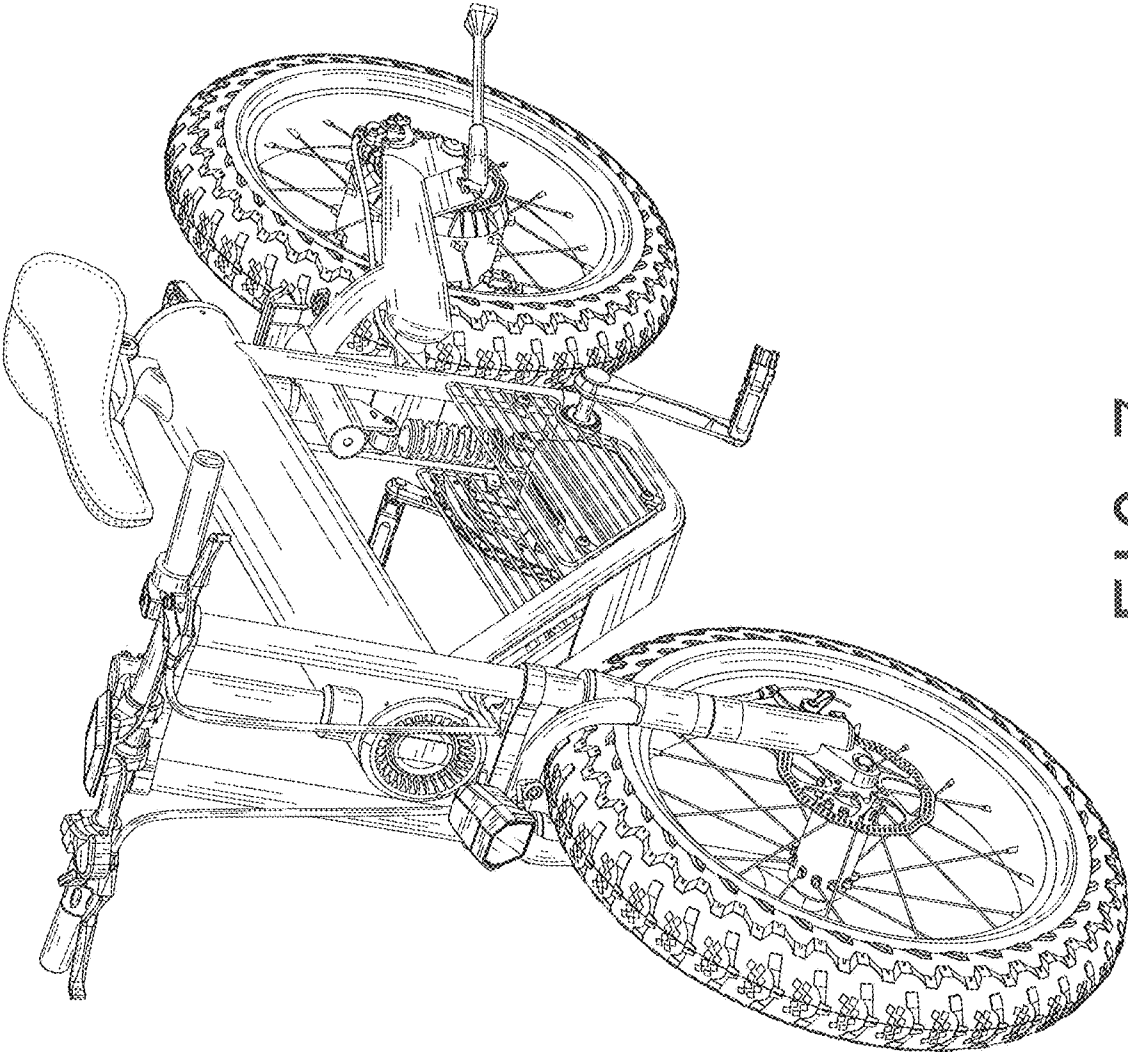


FIG. 7