



US00D334875S

United States Patent [19]

[11] **Patent Number: Des. 334,875**

Behnke

[45] **Date of Patent: ** Apr. 20, 1993**

[54] **GRATER**
 [76] **Inventor: William Behnke, 1288 Elmwood Dr., Ypsilanti, Mich. 48197**
 [**] **Term: 14 Years**
 [21] **Appl. No.: 748,394**
 [22] **Filed: Aug. 22, 1991**
 [52] **U.S. Cl. D7/678**
 [58] **Field of Search D7/678, 673; 241/95, 241/168, 273.1-0.4, 274**

3,133,570 5/1964 Leszczynski D7/678 X
 3,583,454 6/1971 Börner D7/678 X

Primary Examiner—Terry A. Pfeffer
Attorney, Agent, or Firm—Terry M. Gernstein

[57] CLAIM

The ornamental design for a grater, as shown and described.

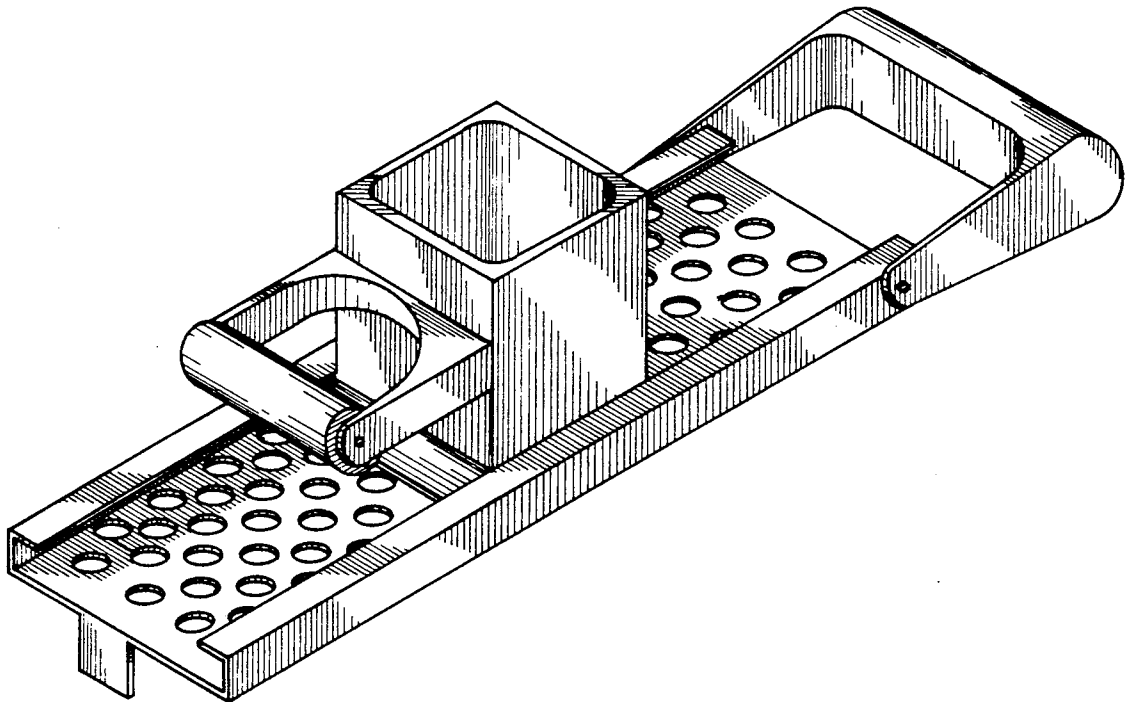
DESCRIPTION

FIG. 1 is a perspective view of the grater showing my new design;
 FIG. 2 is a front end elevational view thereof;
 FIG. 3 is a rear end elevational view thereof;
 FIG. 4 is a side elevational view thereof, the side opposite being a mirror image of the side shown in FIG. 4;
 FIG. 5 is a top plan view thereof; and,
 FIG. 6 is a bottom plan view thereof.

[56] References Cited

U.S. PATENT DOCUMENTS

D. 249,044	8/1978	Popeil	D7/673 X
2,252,859	8/1941	Murdock	7/678
2,405,056	7/1946	Rosenbloom	7/678
2,482,180	9/1949	Heard	7/678



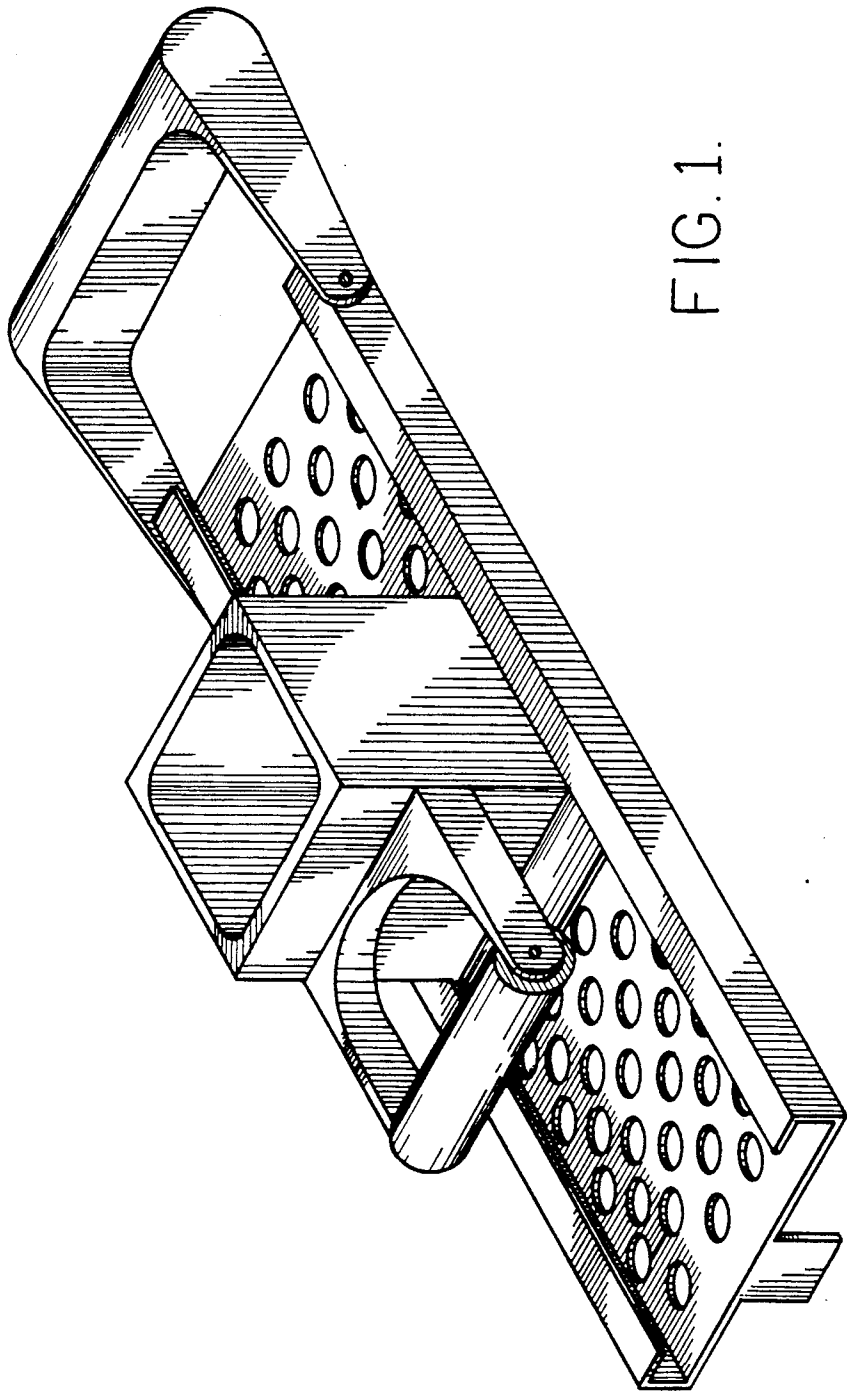
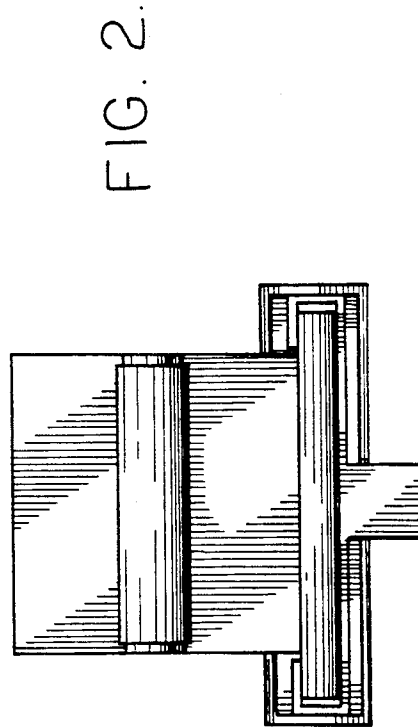
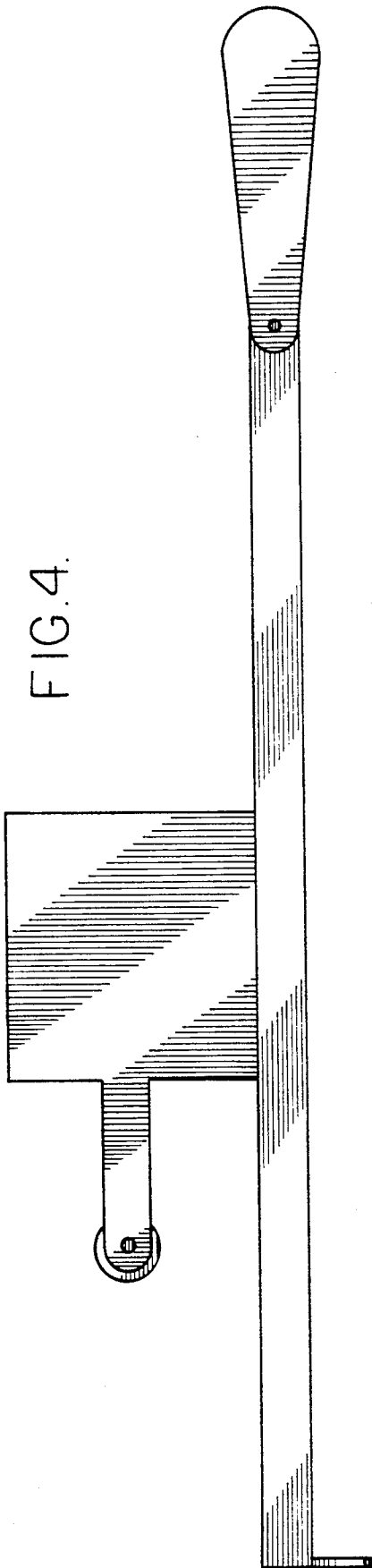


FIG. 1.



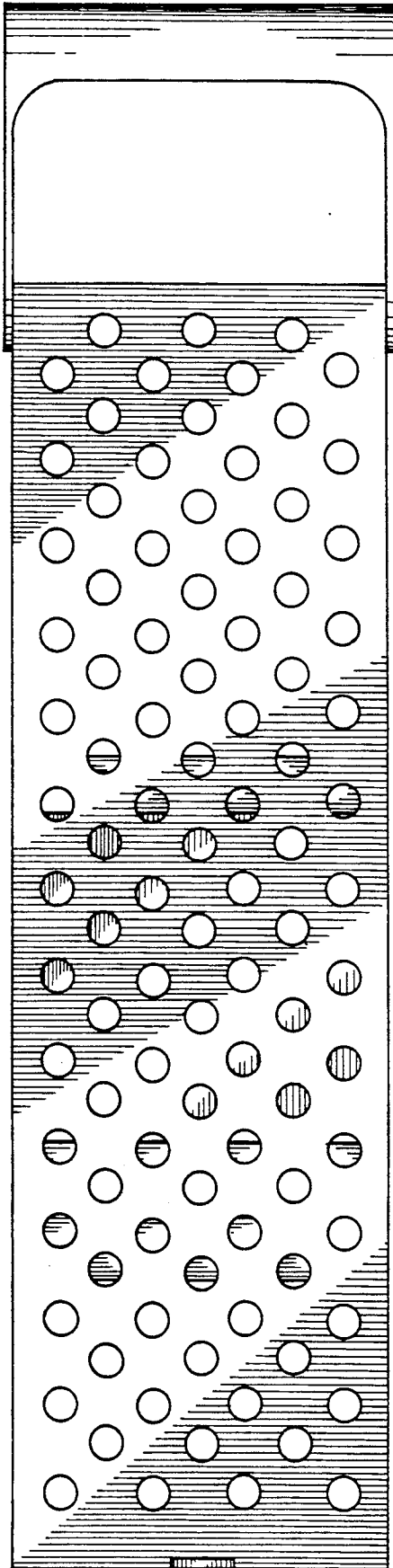


FIG. 6.

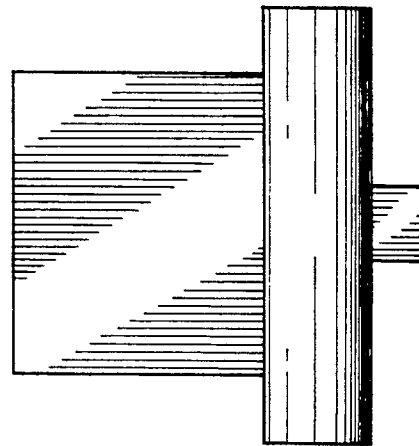


FIG. 3.

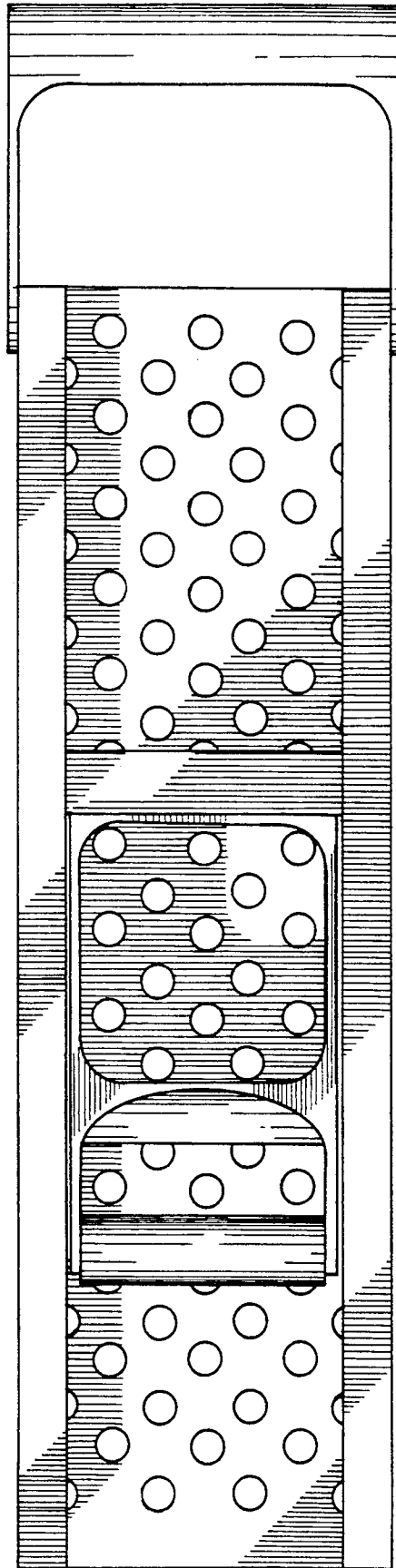


FIG. 5.