

(19) World Intellectual Property Organization
International Bureau



(43) International Publication Date
25 January 2007 (25.01.2007)

PCT

(10) International Publication Number
WO 2007/011576 A3

- (51) International Patent Classification:
G06F 17/30 (2006.01)
- (21) International Application Number:
PCT/US2006/026853
- (22) International Filing Date: 10 July 2006 (10.07.2006)
- (25) Filing Language: English
- (26) Publication Language: English
- (30) Priority Data:
11/181,440 14 July 2005 (14.07.2005) US
- (71) Applicant (for all designated States except US): MICROSOFT CORPORATION [US/US]; One Microsoft Way, Redmond, WA 98052-6399 (US).
- (72) Inventors: BALAKRISHNAN, Shobana; One Microsoft Way, Redmond, WA 98052-6399 (US). HAVEWALA, Sarosh, Cyrus; One Microsoft Way, Redmond, WA 98052-6399 (US). SURIYANARAYANAN, Guhan; One Microsoft Way, Redmond, WA 98052-6399 (US). ROBERT, Christophe, Franck; One Microsoft Way, Redmond, WA 98052-6399 (US). TEODOSIU, Dan; One Microsoft Way, Redmond, WA 98052-6399 (US). BJORNER, Nikolaj, S.; One Microsoft Way, Redmond, WA 98052-6399 (US).
- (81) Designated States (unless otherwise indicated, for every kind of national protection available): AE, AG, AL, AM,

AT, AU, AZ, BA, BB, BG, BR, BW, BY, BZ, CA, CH, CN, CO, CR, CU, CZ, DE, DK, DM, DZ, EC, EE, EG, ES, FI, GB, GD, GE, GH, GM, HN, HR, HU, ID, IL, IN, IS, JP, KE, KG, KM, KN, KP, KR, KZ, LA, LC, LK, LR, LS, LT, LU, LV, LY, MA, MD, MG, MK, MN, MW, MX, MZ, NA, NG, NI, NO, NZ, OM, PG, PH, PL, PT, RO, RS, RU, SC, SD, SE, SG, SK, SL, SM, SY, TJ, TM, TN, TR, TT, TZ, UA, UG, US, UZ, VC, VN, ZA, ZM, ZW.

(84) Designated States (unless otherwise indicated, for every kind of regional protection available): ARIPO (BW, GH, GM, KE, LS, MW, MZ, NA, SD, SL, SZ, TZ, UG, ZM, ZW), Eurasian (AM, AZ, BY, KG, KZ, MD, RU, TJ, TM), European (AT, BE, BG, CH, CY, CZ, DE, DK, EE, ES, FI, FR, GB, GR, HU, IE, IS, IT, LT, LU, LV, MC, NL, PL, PT, RO, SE, SI, SK, TR), OAPI (BF, BJ, CF, CG, CI, CM, GA, GN, GQ, GW, ML, MR, NE, SN, TD, TG).

Declarations under Rule 4.17:

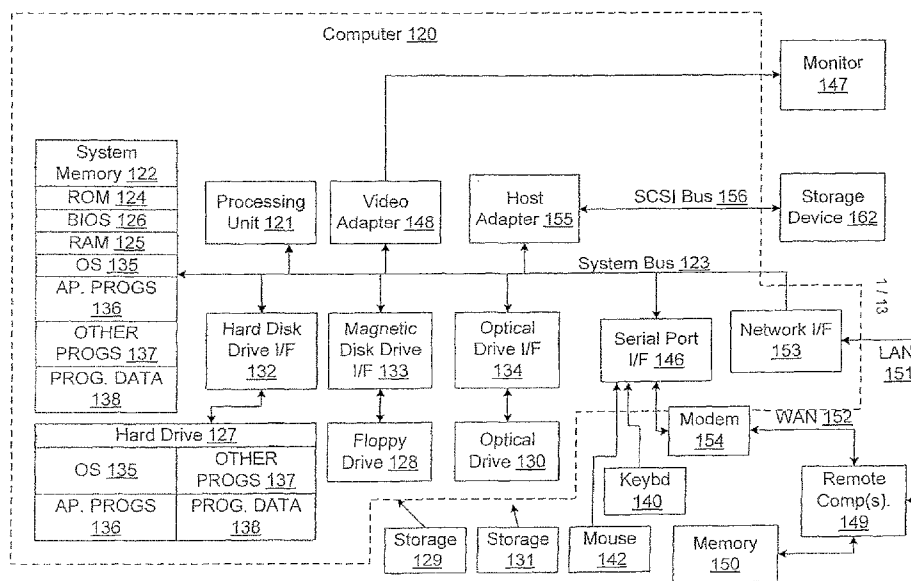
- as to applicant's entitlement to apply for and be granted a patent (Rule 4.17(ii))
- as to the applicant's entitlement to claim the priority of the earlier application (Rule 4.17(iii))

Published:

- with international search report

(88) Date of publication of the international search report:
14 February 2008

(54) Title: MOVING DATA FROM FILE ON STORAGE VOLUME TO ALTERNATE LOCATION TO FREE SPACE



(57) Abstract: A computing device has a file stored on a storage medium (128) by a file system and accessed through such file system (131). The file is defined to include data and meta data relating to the data, and at least portion of the data of the file is removed from the file and stored at an alternative location such that the data does not occupy substantially any space on the volume and the file is in a reduced, ghosted form. The ghosted file is reconstituted for use by retrieving the data from the alternative location and associating such retrieved data with such ghosted file to form the reconstituted file.

WO 2007/011576 A3

INTERNATIONAL SEARCH REPORT

International application No.

PCT/US06/26853

A. CLASSIFICATION OF SUBJECT MATTER
 IPC: **G06F 17/30(2006.01)**

USPC: 707/10;709/200
 According to International Patent Classification (IPC) or to both national classification and IPC

B. FIELDS SEARCHED

Minimum documentation searched (classification system followed by classification symbols)
 U.S. : 707/10; 709/200

Documentation searched other than minimum documentation to the extent that such documents are included in the fields searched
 NPL

Electronic data base consulted during the international search (name of data base and, where practicable, search terms used)
 WEST. DERWENT, IBM. EPO, JPO

C. DOCUMENTS CONSIDERED TO BE RELEVANT

Category *	Citation of document, with indication, where appropriate, of the relevant passages	Relevant to claim No.
A	US 7,225,244 B2((REYNOLDS et al.) 29 May 2007 (29.05.2007), whole document	1-19
A	US 7,222,147 B1 (BLACK, et al.) 05 May 2007 (05.05.2007), whole document	1-19

Further documents are listed in the continuation of Box C. See patent family annex.

* Special categories of cited documents:	Symbol
"A" document defining the general state of the art which is not considered to be of particular relevance	"T" later document published after the international filing date or priority date and not in conflict with the application but cited to understand the principle or theory underlying the invention
"E" earlier application or patent published on or after the international filing date	"X" document of particular relevance; the claimed invention cannot be considered novel or cannot be considered to involve an inventive step when the document is taken alone
"L" document which may throw doubts on priority claim(s) or which is cited to establish the publication date of another citation or other special reason (as specified)	"Y" document of particular relevance; the claimed invention cannot be considered to involve an inventive step when the document is combined with one or more other such documents, such combination being obvious to a person skilled in the art
"O" document referring to an oral disclosure, use, exhibition or other means	"&" document member of the same patent family
"P" document published prior to the international filing date but later than the priority date claimed	

Date of the actual completion of the international search 18 June 2007 (18.06.2007)	Date of mailing of the international search report 07 NOV 2007
--	--

Name and mailing address of the ISA/US Mail Stop PCT, Attn: ISA/US Commissioner for Patents P.O. Box 1450 Alexandria, Virginia 22313-1450 Facsimile No. (571) 273-3201	Authorized officer Diane Mizrahi Jacqueline A. Whitfield Special Project Asst. Telephone No. (703) 305-9001
---	--