



US00D627765S

(12) **United States Design Patent**  
**Zheng**

(10) **Patent No.:** **US D627,765 S**

(45) **Date of Patent:** **\*\* Nov. 23, 2010**

(54) **EARPHONE**

(75) Inventor: **Qi Zheng**, Tokyo (JP)

(73) Assignee: **Sony Corporation**, Tokyo (JO)

(\*\*) Term: **14 Years**

(21) Appl. No.: **29/347,415**

(22) Filed: **Dec. 28, 2009**

(30) **Foreign Application Priority Data**

Aug. 14, 2009 (CN) ..... 2009 3 0190319

(51) **LOC (9) Cl.** ..... **14-01**

(52) **U.S. Cl.** ..... **D14/223**

(58) **Field of Classification Search** ..... D14/205,  
D14/206, 223, 192, 249; 181/129, 130, 135;  
379/430, 433.02, 433.03; 381/380, 381;  
128/864, 865, 866; D24/174; 455/90.1,  
455/90.2, 575.1

See application file for complete search history.

(56) **References Cited**

**U.S. PATENT DOCUMENTS**

- 1,406,510 A \* 2/1922 Weber ..... 381/380
- 4,588,867 A \* 5/1986 Konomi ..... 379/430
- 4,965,838 A \* 10/1990 Kamon et al. .... 381/380
- D337,589 S \* 7/1993 Wada ..... D14/223
- D340,932 S \* 11/1993 Yan ..... D14/249
- D353,379 S 12/1994 Nakamura et al.
- D357,921 S \* 5/1995 Ming-Chin ..... D14/223
- D369,349 S \* 4/1996 Hayashi ..... D14/223
- D371,368 S 7/1996 Hayashi
- D384,958 S 10/1997 Shudo
- D431,553 S 10/2000 Suzuki
- D474,171 S 5/2003 Suzuki
- D485,548 S 1/2004 Obata
- D487,077 S 2/2004 Obata
- D510,085 S 9/2005 Suzuki
- D523,846 S \* 6/2006 Lee ..... D14/205
- D533,868 S 12/2006 Koizumi
- D539,268 S \* 3/2007 Suzuki ..... D14/206
- D554,627 S \* 11/2007 Gondo ..... D14/223

- D555,152 S \* 11/2007 Wang ..... D14/223
- D564,495 S \* 3/2008 Sasaki ..... D14/205
- D566,099 S \* 4/2008 Komiyama ..... D14/206
- D567,217 S \* 4/2008 Kamo et al. .... D14/205
- D572,703 S \* 7/2008 Ledbetter et al. .... D14/205
- D576,154 S \* 9/2008 Ledbetter et al. .... D14/223
- D583,804 S \* 12/2008 Mahler et al. .... D14/223
- D586,332 S \* 2/2009 Ewert et al. .... D14/223
- D587,681 S \* 3/2009 Yanai ..... D14/205
- D587,685 S \* 3/2009 Densho ..... D14/206
- D589,493 S \* 3/2009 Densho ..... D14/206
- D591,721 S 5/2009 Densho
- D591,722 S 5/2009 Densho
- D599,778 S \* 9/2009 Ando ..... D14/205
- D602,905 S \* 10/2009 Morisawa ..... D14/205
- D604,272 S \* 11/2009 Kitayama ..... D14/223
- D604,718 S \* 11/2009 Paterson ..... D14/206

(Continued)

**FOREIGN PATENT DOCUMENTS**

JP D1082764 S 8/2000

(Continued)

*Primary Examiner*—Paula Greene

(74) *Attorney, Agent, or Firm*—Rader, Fishman & Grauer PLLC

**CLAIM**

(57)

The ornamental design for earphone, as shown and described.

**DESCRIPTION**

FIG. 1 is a perspective view of earphone showing my new design;

FIG. 2 is a front elevational view thereof;

FIG. 3 is a rear elevational view thereof;

FIG. 4 is a left side elevational view thereof;

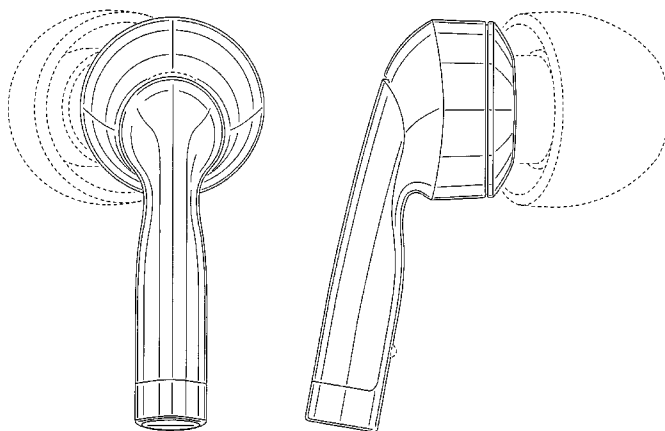
FIG. 5 is a right side elevational view thereof;

FIG. 6 is a top plan view thereof; and,

FIG. 7 is a bottom plan view thereof.

Portions in broken lines are for illustrative purpose only and form no part of the claimed design.

**1 Claim, 7 Drawing Sheets**



# US D627,765 S

Page 2

---

## U.S. PATENT DOCUMENTS

D605,182 S \* 12/2009 Fagnot ..... D14/223  
D605,636 S \* 12/2009 Yang ..... D14/223  
D606,971 S \* 12/2009 Christopher et al. .... D14/205  
D616,874 S \* 6/2010 Matsuoka ..... D14/223

## FOREIGN PATENT DOCUMENTS

JP D1084055 S 9/2000  
JP D1246301 S 8/2005  
JP D1305907 S 7/2007  
\* cited by examiner

FIG. 1

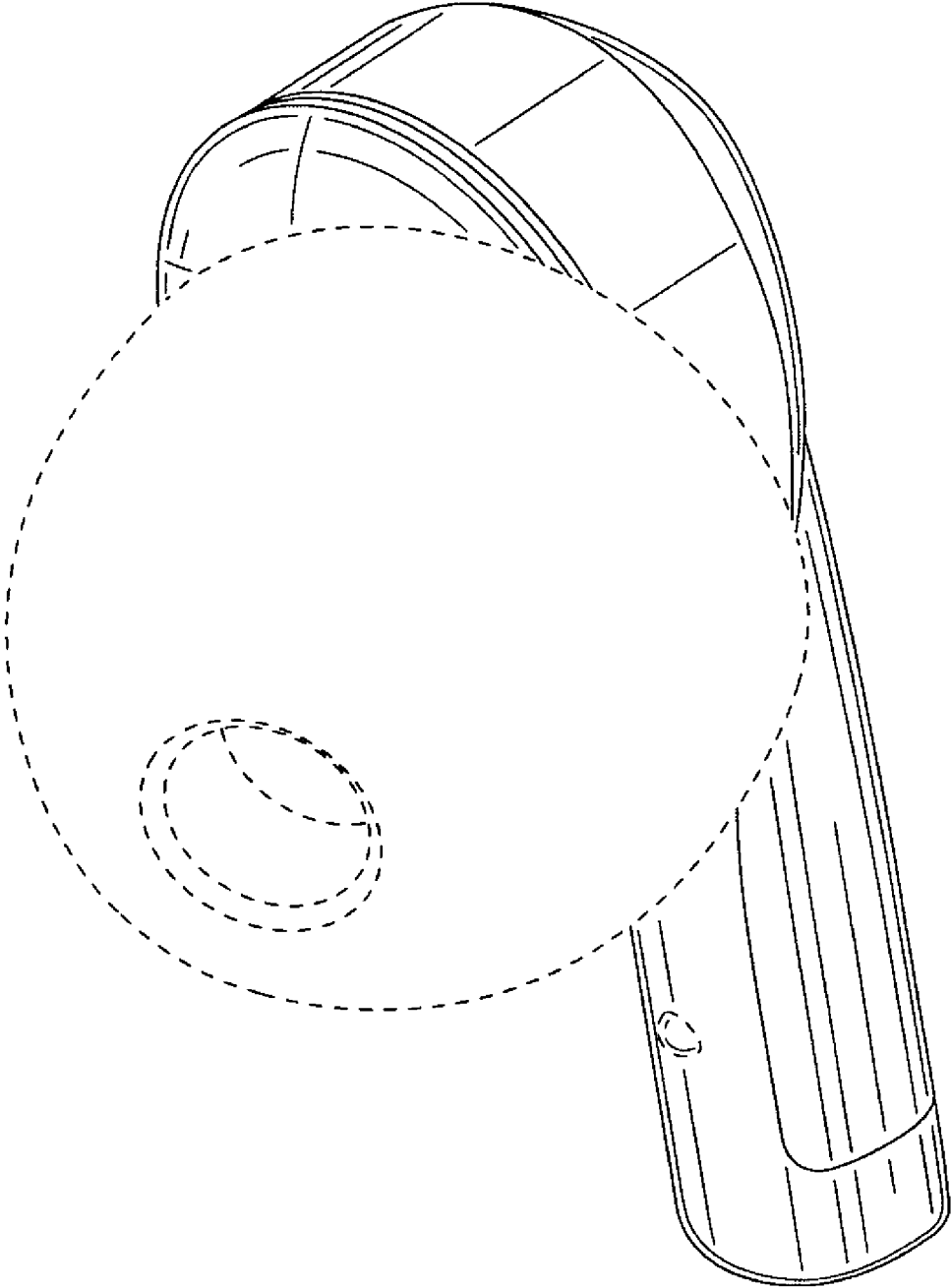


FIG.2

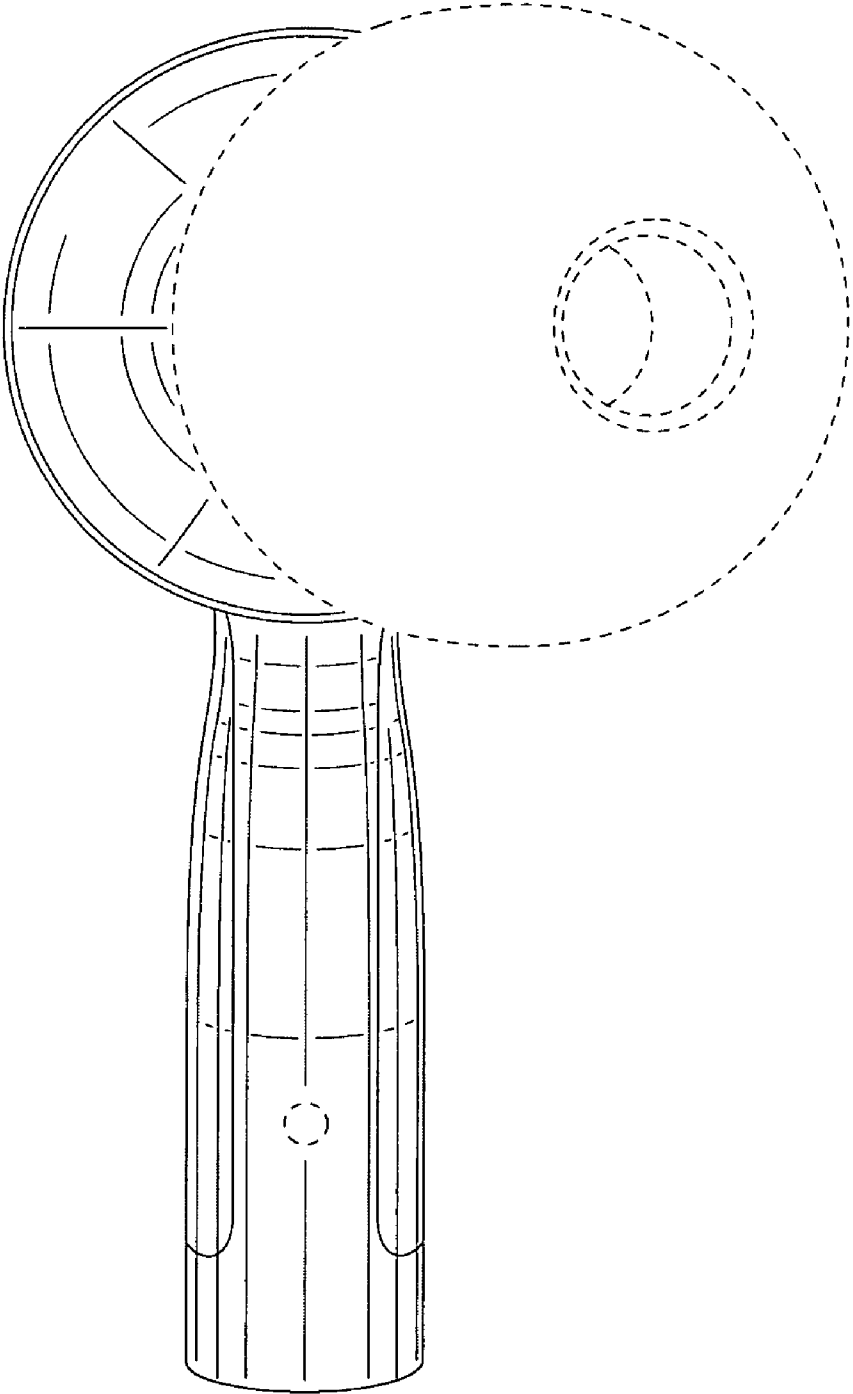


FIG.3

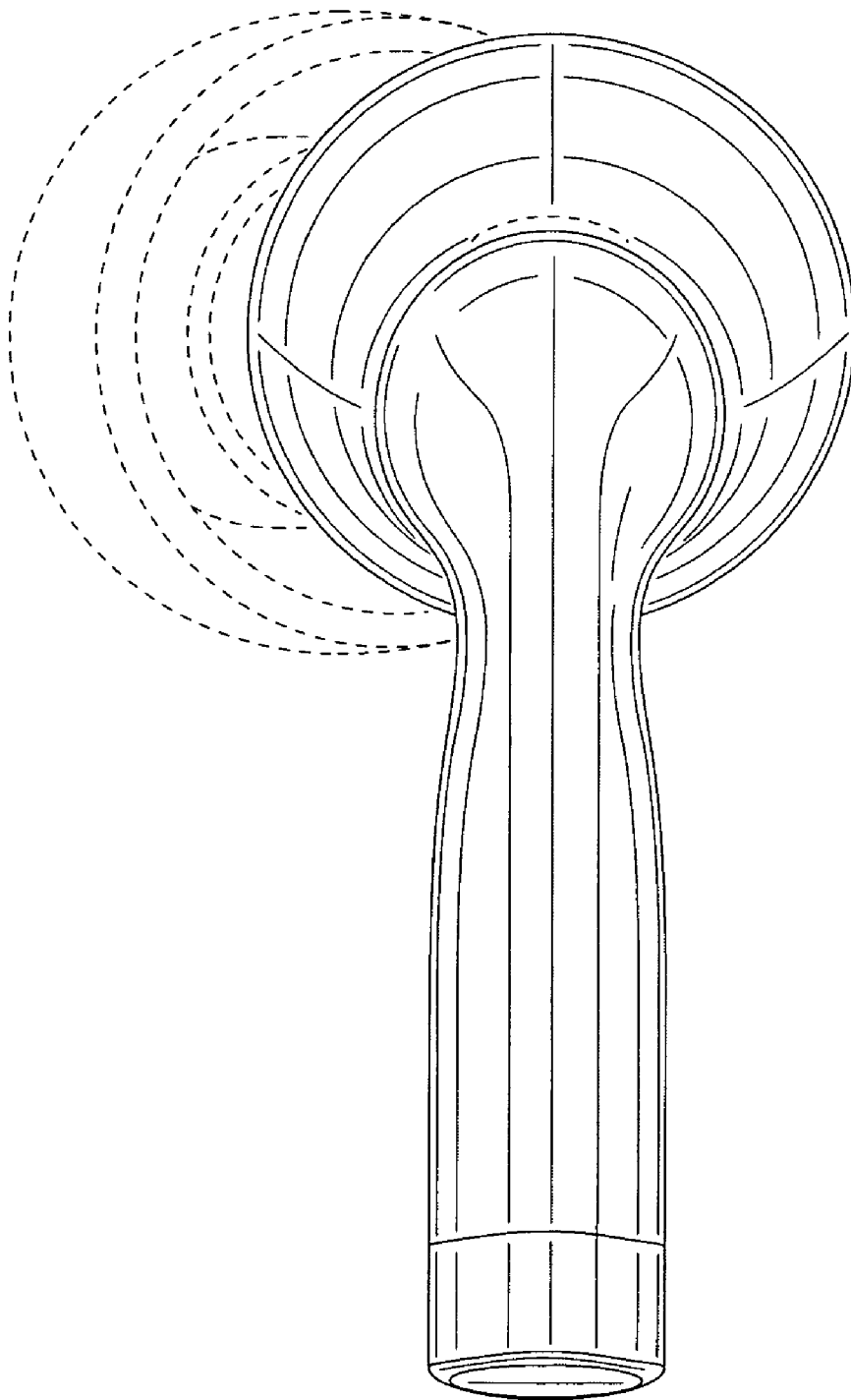


FIG.4

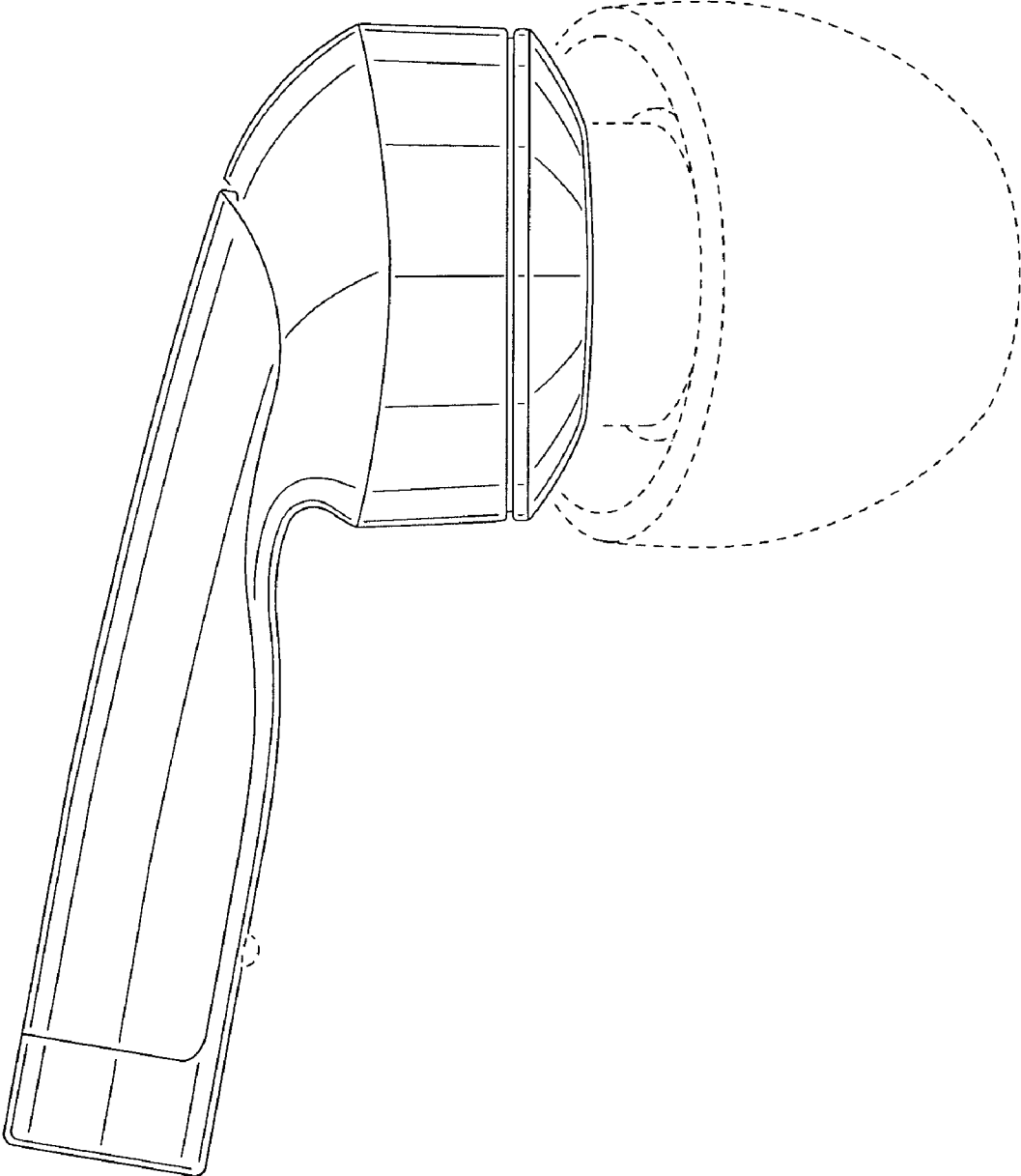


FIG.5

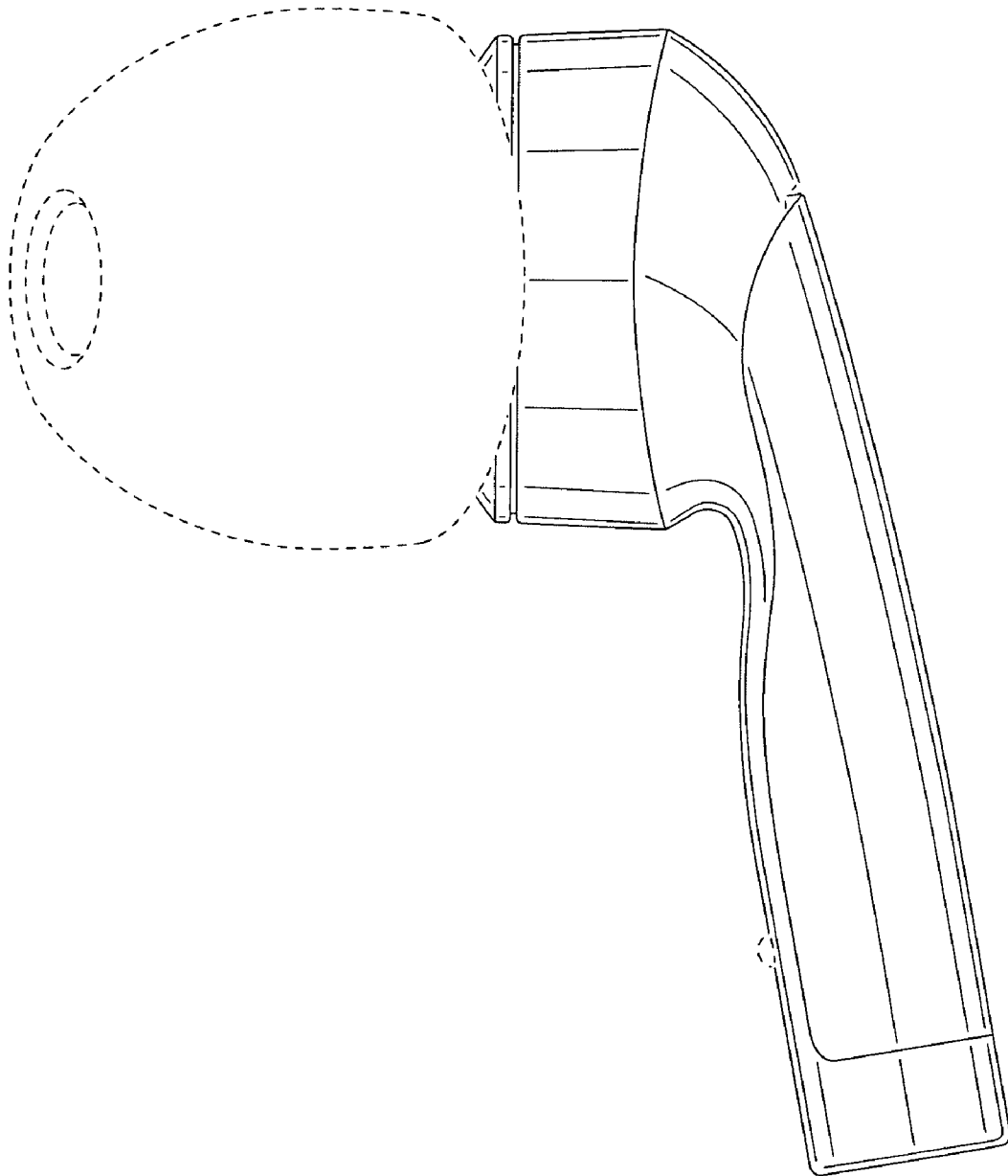


FIG.6

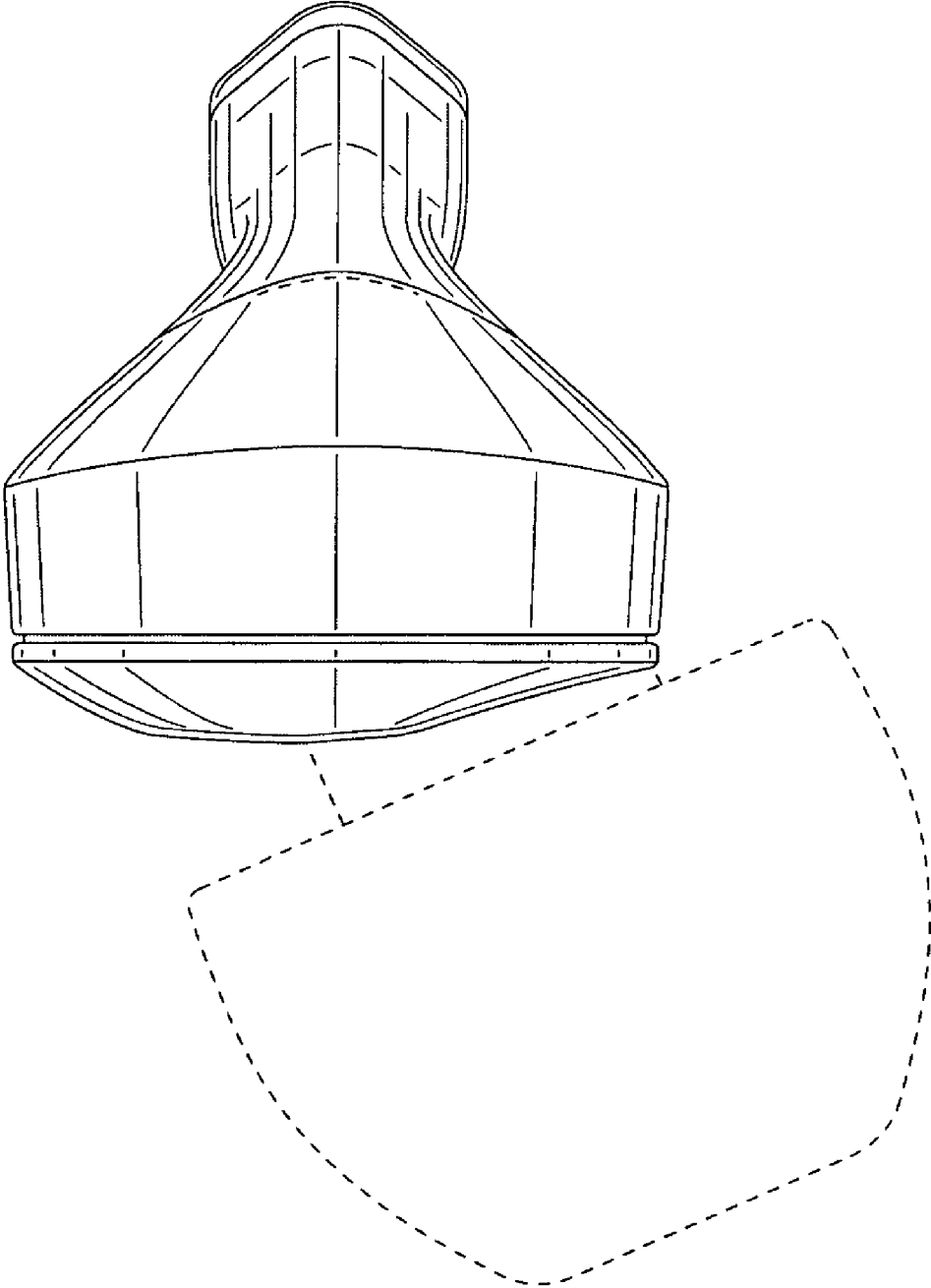




FIG.7

