



US00D788915S

(12) **United States Design Patent** (10) **Patent No.:** **US D788,915 S**
Kheradpir et al. (45) **Date of Patent:** **** Jun. 6, 2017**

(54) **PORT TRACKING TOOL**

8,205,616 B2 * 6/2012 Miyazaki 128/845
D695,897 S * 12/2013 Splieth D24/135
D747,804 S * 1/2016 Rehman D24/140

(71) Applicants: **Leila Kheradpir**, Toronto (CA);
William Wai-Leung Lau, Toronto
(CA); **Gal Sela**, Toronto (CA); **Joshua
Lee Richmond**, Toronto (CA)

FOREIGN PATENT DOCUMENTS

CA 2521796 A1 * 4/2006 A61B 5/06
EP 1518508 A1 * 3/2005 A61B 19/54
FR 2998471 A3 * 5/2014 A61B 19/54
WO WO 2013044043 A1 * 3/2013 A61B 19/5244
WO WO 2014071969 A1 * 5/2014 A61B 19/54
WO WO 2015117665 A1 * 8/2015 A61B 19/54
WO WO 2016029289 A1 * 3/2016 A61B 19/00

(72) Inventors: **Leila Kheradpir**, Toronto (CA);
William Wai-Leung Lau, Toronto
(CA); **Gal Sela**, Toronto (CA); **Joshua
Lee Richmond**, Toronto (CA)

OTHER PUBLICATIONS

(73) Assignee: **SYNAPTIVE MEDICAL
(BARBADOS) INC.**, Bridgetown (BB)

Product Webpage "Stryker Calibration Tool", <http://www.labx.com/item/stryker-calibration-tool/LV32572128>, retrieved on Jan. 15, 2015.

(**) Term: **14 Years**

Brochure, "Stryker Navigation System: the Smarter Version", Stryker Leibinger Inc., <http://www.stryker.com.br/arquivos/navmultimodular.pdf>, retrieved on Jan. 15, 2015.

(21) Appl. No.: **29/506,617**

* cited by examiner

(22) Filed: **Oct. 17, 2014**

(51) **LOC (10) Cl.** **24-02**

(52) **U.S. Cl.**
USPC **D24/140**

(58) **Field of Classification Search**
USPC D24/140, 138, 137, 135
See application file for complete search history.

Primary Examiner — Bridget L Eland

Assistant Examiner — Lauren McVey

(74) *Attorney, Agent, or Firm* — Perry + Currier Inc.

(56) **References Cited**

CLAIM

We claim the ornamental design for a port tracking tool, as shown and described.

U.S. PATENT DOCUMENTS

DESCRIPTION

D331,461 S * 12/1992 Lester D24/140
D372,309 S * 7/1996 Heldreth D24/133
D422,706 S * 4/2000 Bucholz D24/140
6,226,548 B1 * 5/2001 Foley A61B 17/7083
600/426
6,236,875 B1 * 5/2001 Bucholz A61B 5/0064
600/407
D443,359 S * 6/2001 Nathanson D24/135
D535,024 S * 1/2007 Huttner D24/140
D536,094 S * 1/2007 Huttner D24/140
D652,144 S * 1/2012 Stotland D24/140
8,180,429 B2 * 5/2012 Sasso A61B 17/3468
600/424

FIG. 1 is a front perspective view of a port tracking tool, showing our new design;

FIG. 2 is a front elevation view thereof;

FIG. 3 is a rear elevation view thereof;

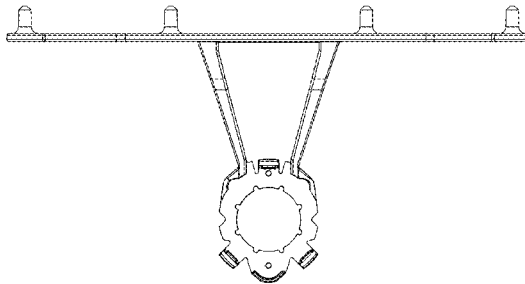
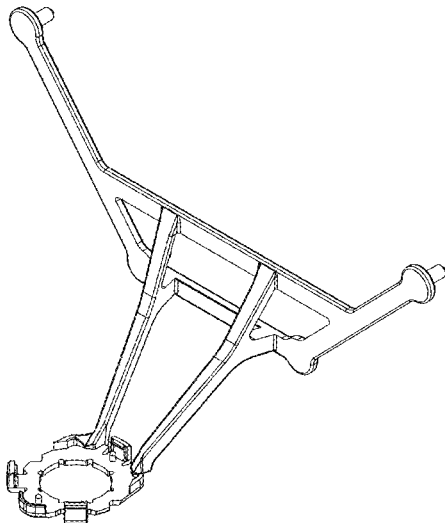
FIG. 4 is a top plan view thereof;

FIG. 5 is a bottom plan view thereof;

FIG. 6 is a left side elevation view thereof; and,

FIG. 7 is a right side elevation view thereof.

1 Claim, 7 Drawing Sheets



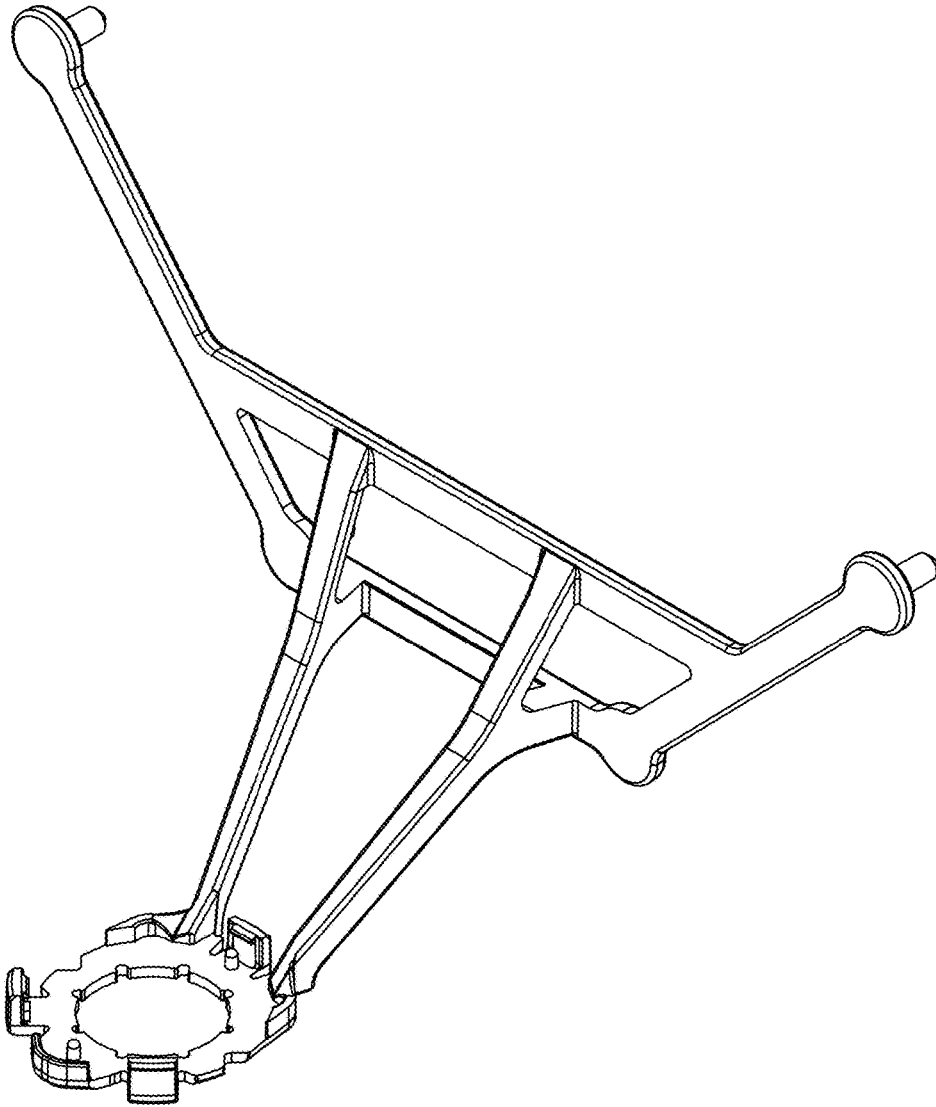


FIG. 1

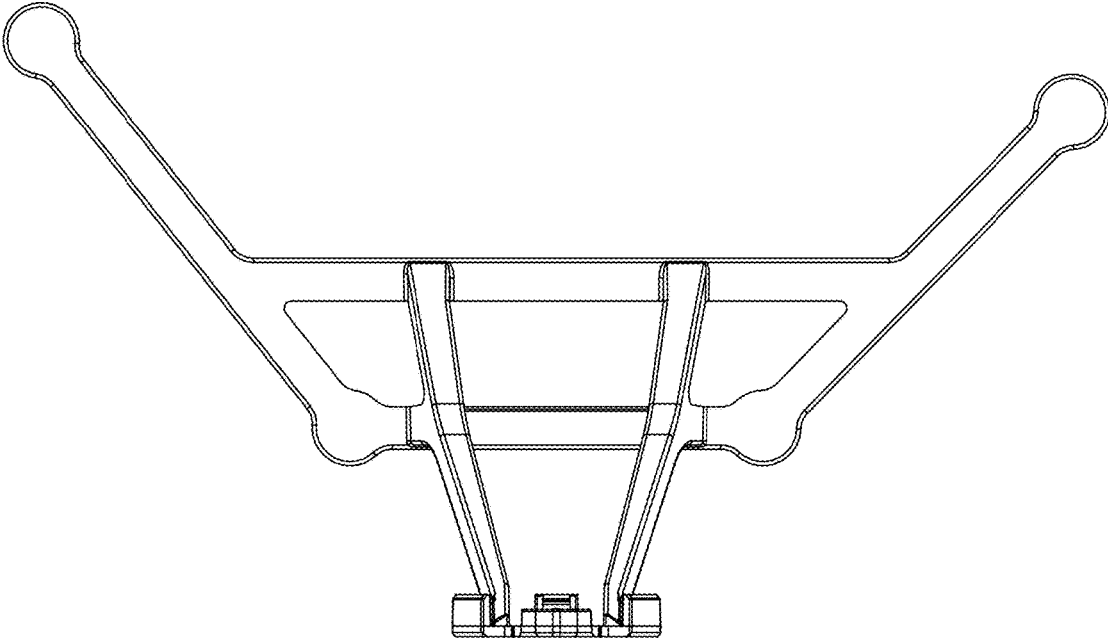


FIG. 2

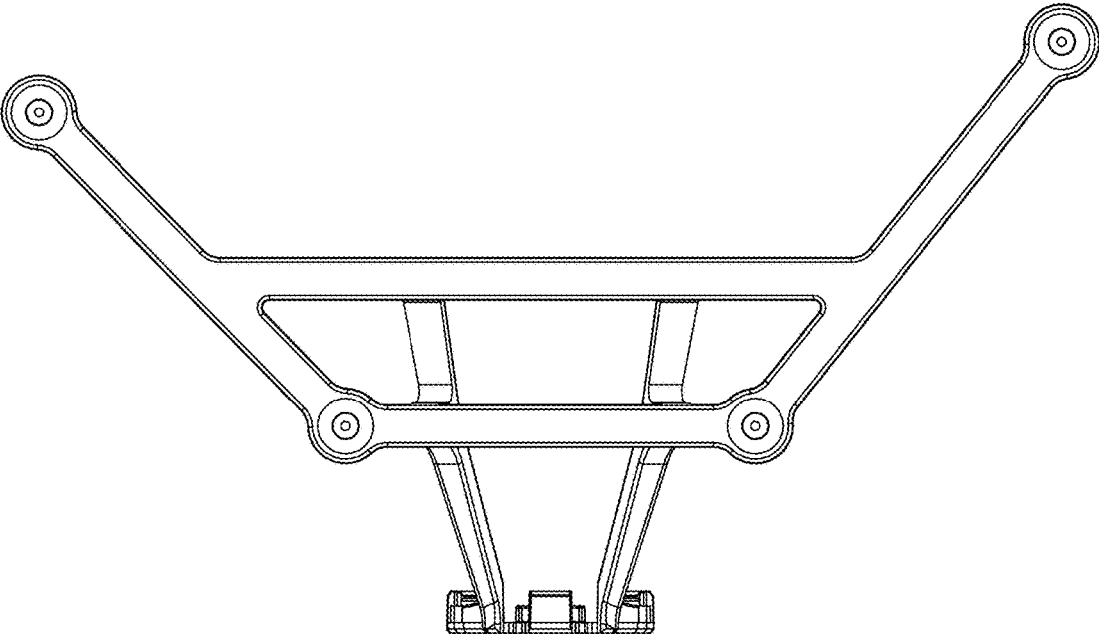


FIG. 3

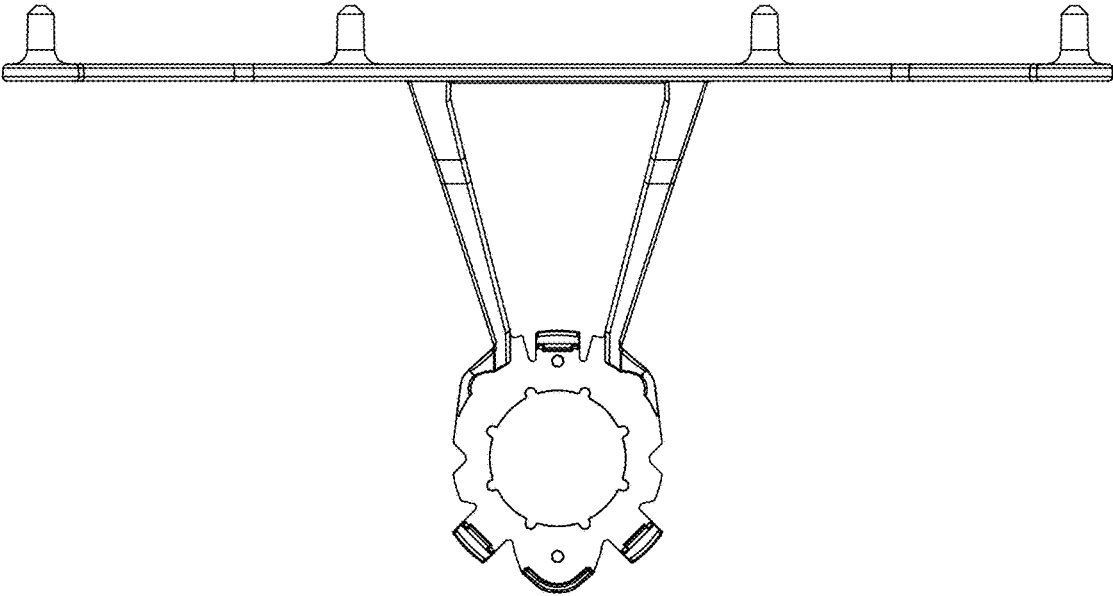


FIG. 4

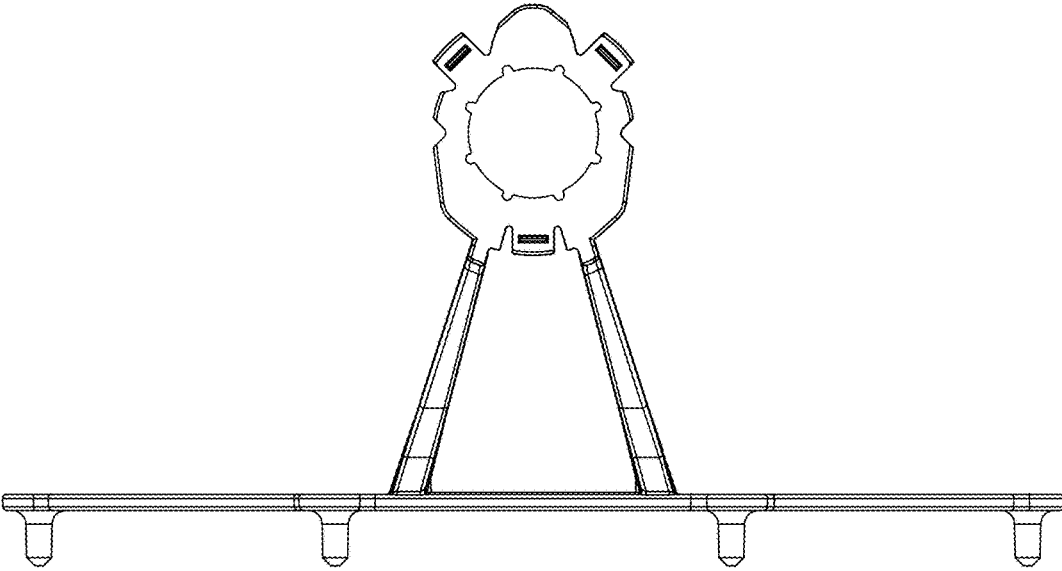


FIG. 5

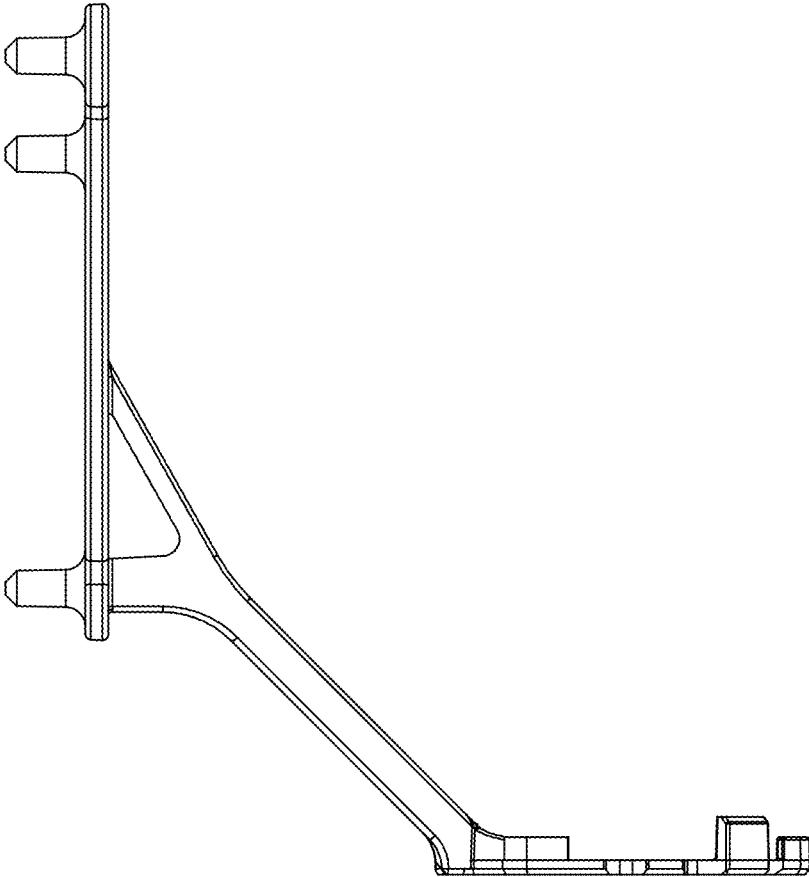


FIG. 6

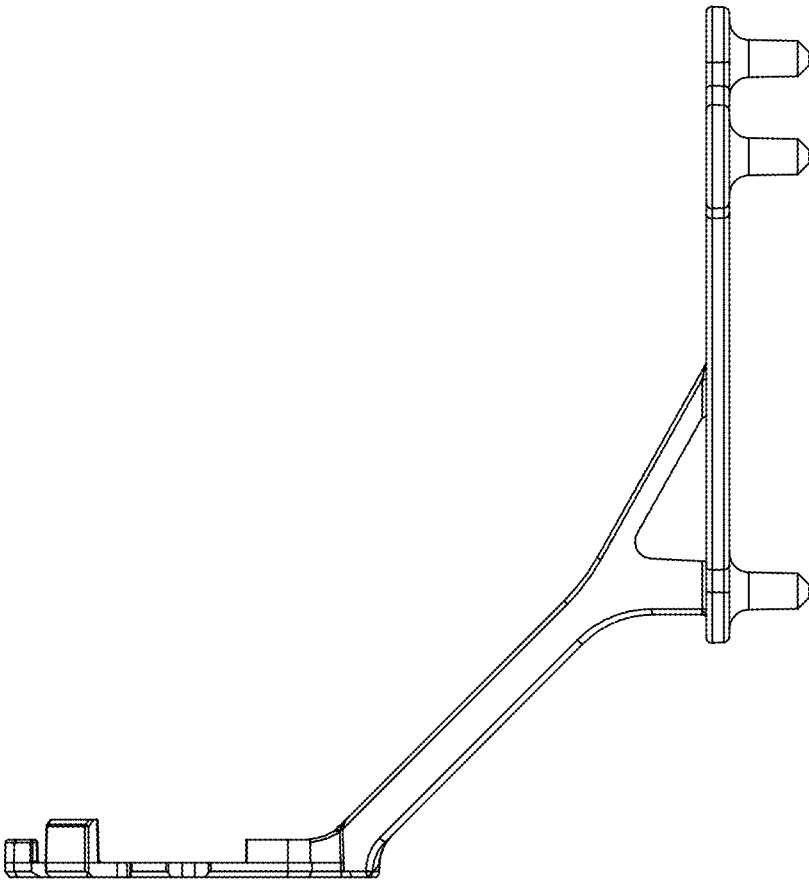


FIG. 7