



US00D930486S

(12) **United States Design Patent**
Lee

(10) **Patent No.:** **US D930,486 S**

(45) **Date of Patent:** **** Sep. 14, 2021**

- (54) **PACKAGING FOR COSMETICS**
- (71) Applicant: **YONWOO CO., LTD.**, Incheon (KR)
- (72) Inventor: **Jae-Ock Lee**, Incheon (KR)
- (73) Assignee: **YONWOO CO., LTD.**, Incheon (KR)
- (**) Term: **15 Years**
- (21) Appl. No.: **29/649,831**
- (22) Filed: **Jun. 1, 2018**

- D462,014 S * 8/2002 Heimbold D9/557
- D524,648 S * 7/2006 Feist D28/7
- D542,659 S * 5/2007 Meether D23/211.1
- D549,582 S * 8/2007 Lloyd D9/452

* cited by examiner

Primary Examiner — Janice Patyk
(74) *Attorney, Agent, or Firm* — Marshall, Gerstein & Borun LLP

(57) **CLAIM**

The ornamental design for a packaging for cosmetics, as shown and described.

(30) **Foreign Application Priority Data**

Dec. 7, 2017 (KR) 30-2017-0057699

(51) **LOC (13) Cl.** **09-01**

(52) **U.S. Cl.** **D9/724**

USPC **D9/724**

(58) **Field of Classification Search**

USPC D9/442, 503, 695–699, 702–714,
D9/723–729; D24/199; D28/7

CPC A45D 34/00; A45D 40/00; B65D 81/3272
See application file for complete search history.

(56) **References Cited**

U.S. PATENT DOCUMENTS

- D249,644 S * 9/1978 Oeckl D7/590
- D251,203 S * 2/1979 Williamson D24/114
- D300,265 S * 3/1989 Brown D28/7

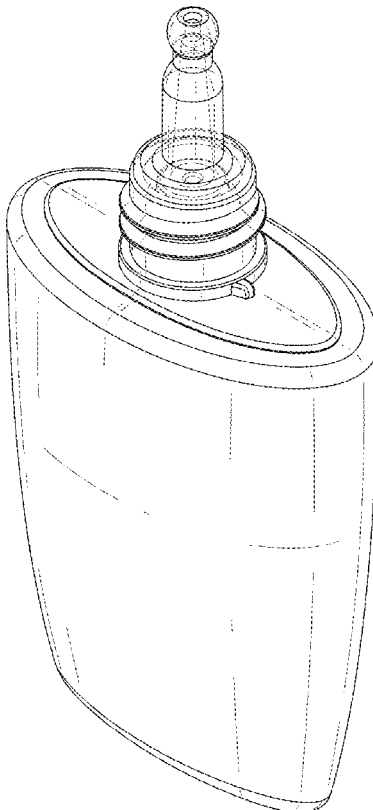
DESCRIPTION

FIG. 1 is a top, front, right side isometric view of a packaging for cosmetics, showing my new design; FIG. 2 is a front elevation view thereof; FIG. 3 is a rear elevation view thereof; FIG. 4 is a right side elevation view thereof; FIG. 5 is a left side elevation view thereof; FIG. 6 is a top plan view thereof; FIG. 7 is a bottom plan view thereof; and, FIG. 8 is an exploded view thereof, shown in reduced scale, shown in environmental use.

The broken lines in the figures illustrate the portions of the design that form no part of the claimed design.

The broken lines over the cap in FIG. 8 illustrate environmental subject matter that form no part of the claimed design.

1 Claim, 8 Drawing Sheets



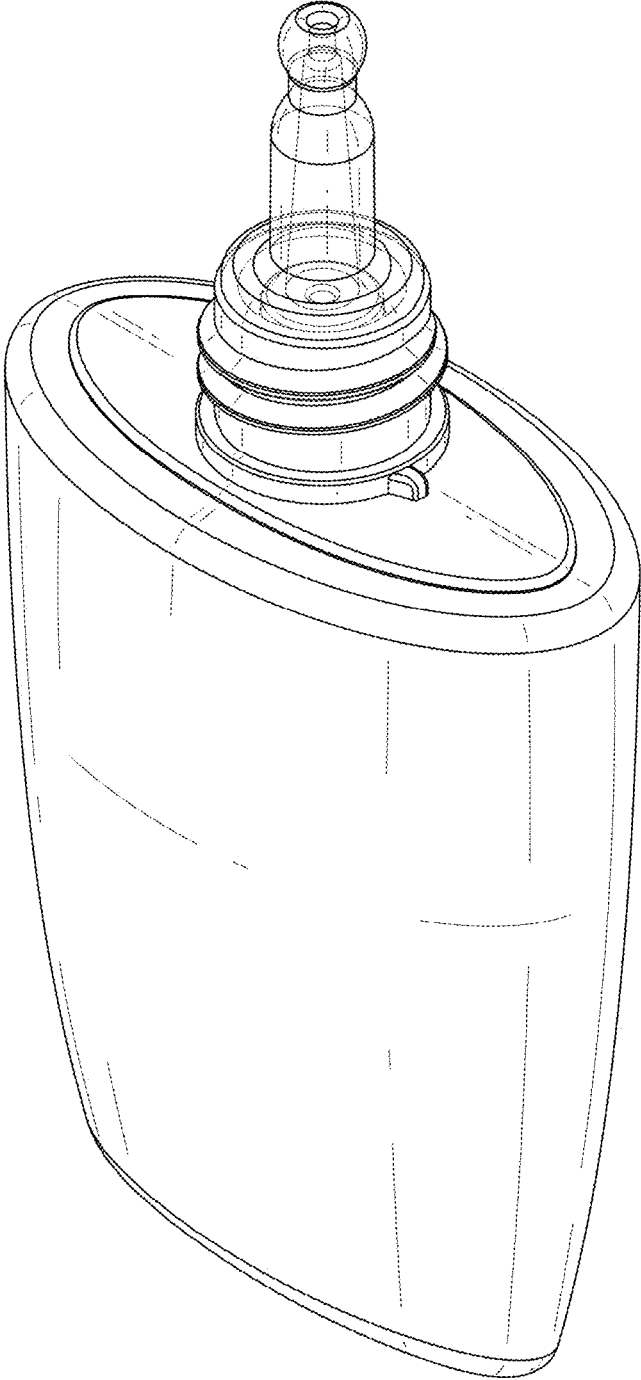


FIG. 1

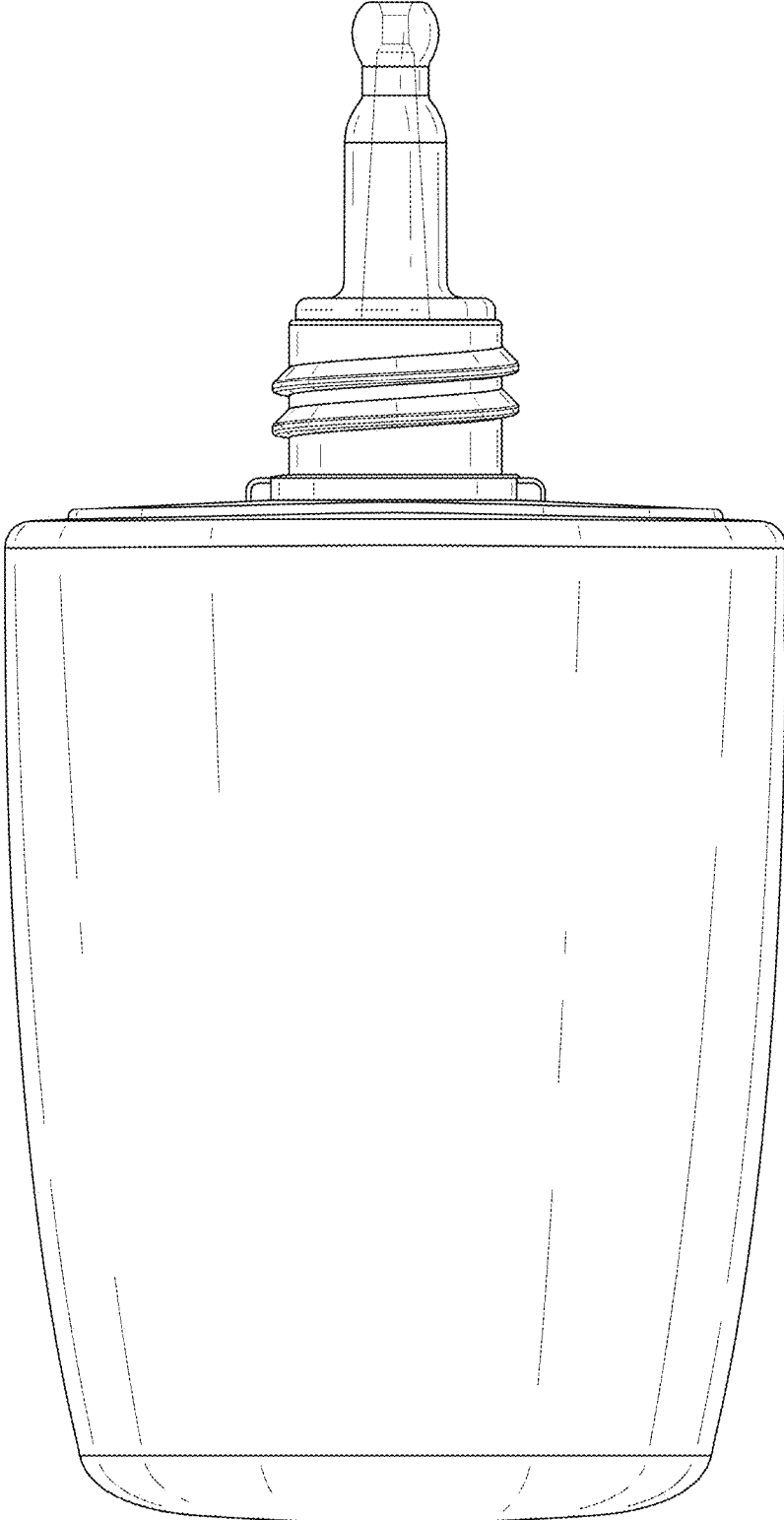


FIG. 2

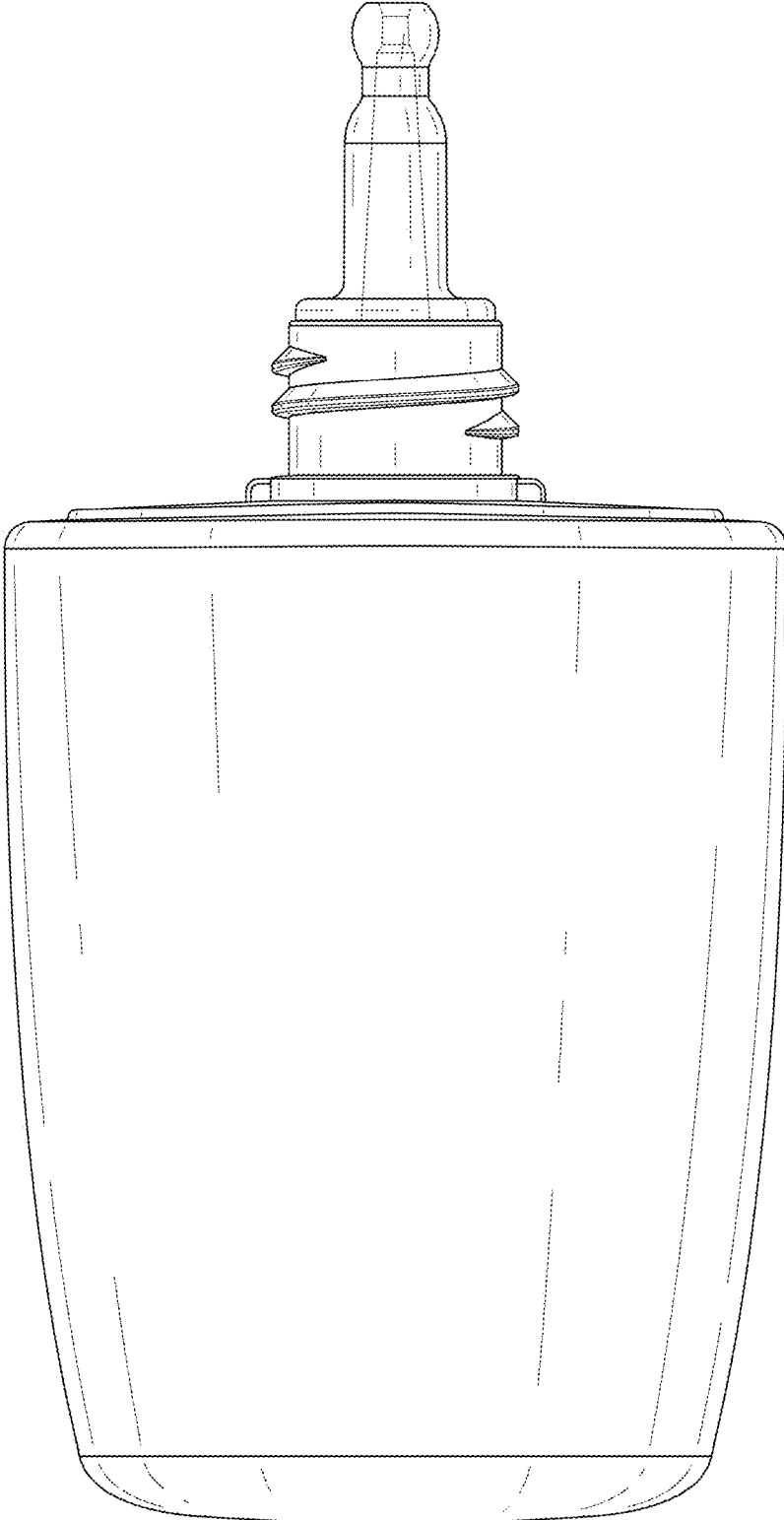


FIG. 3

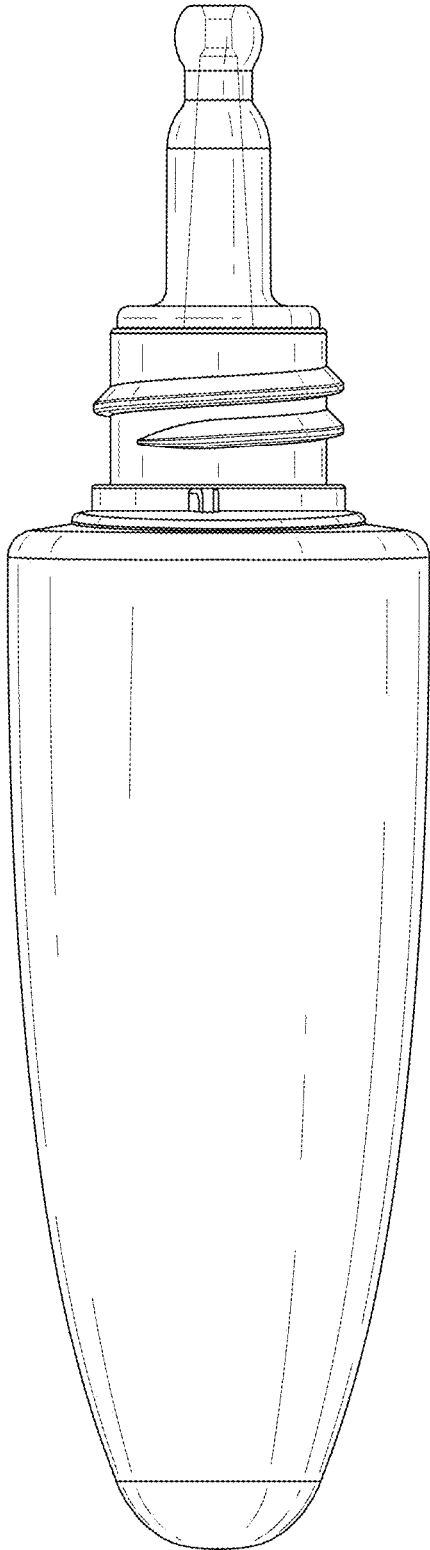


FIG. 4

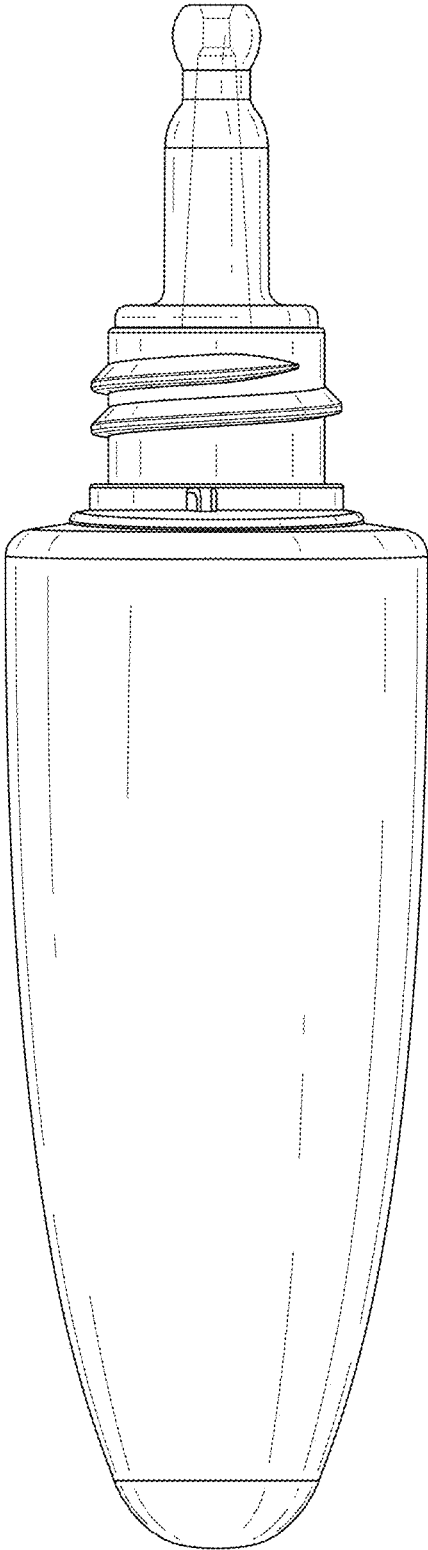


FIG. 5

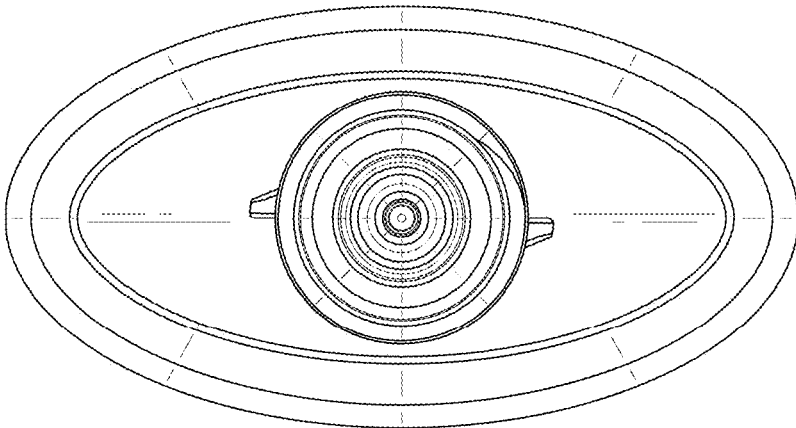


FIG. 6

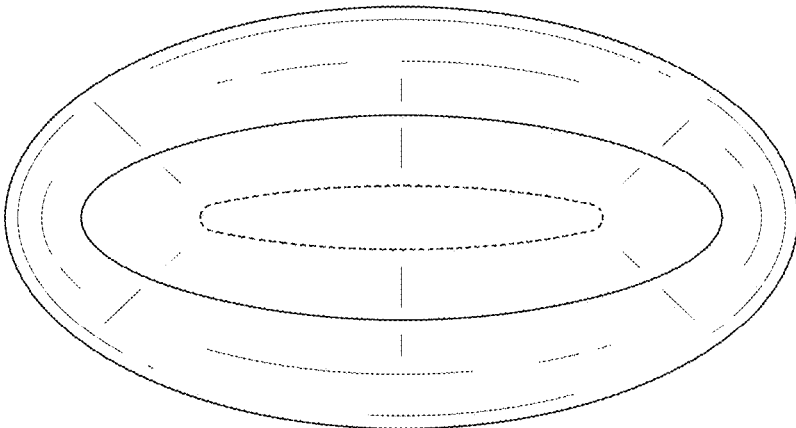


FIG. 7

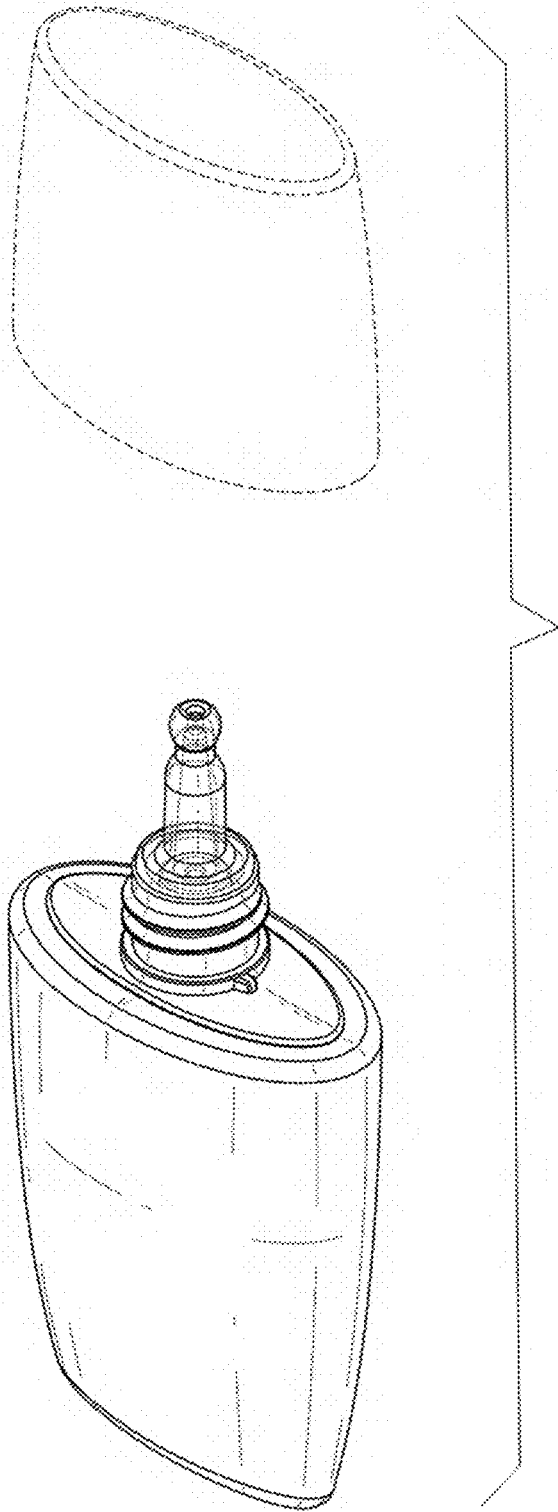


FIG. 8