



US0D1069896S

(12) **United States Design Patent**
Matsumoto et al.

(10) **Patent No.:** **US D1,069,896 S**

(45) **Date of Patent:** **** Apr. 8, 2025**

(54) **TONER CONTAINER**

FOREIGN PATENT DOCUMENTS

(71) Applicants: **Kazuki Matsumoto**, Tokyo (JP);
Hiroshi Hosokawa, Tokyo (JP)

IN 282729 * 8/2019
JP D1633451 * 6/2019

(72) Inventors: **Kazuki Matsumoto**, Tokyo (JP);
Hiroshi Hosokawa, Tokyo (JP)

OTHER PUBLICATIONS

(73) Assignee: **RICOH COMPANY, LTD.**, Tokyo (JP)

TN328 Toner Cartridge, Amazon.com, published Mar. 14, 2020, retrieved Aug. 6, 2024, U.S. Appl. No. 29/898,127—<https://shorturl.at/RaXgD> (Year: 2020).*

(**) Term: **15 Years**

(Continued)

(21) Appl. No.: **29/898,127**

Primary Examiner — L. A. Grabenstetter

Assistant Examiner — Danielle Nichole Bowly

(22) Filed: **Jul. 24, 2023**

(74) *Attorney, Agent, or Firm* — XSENSUS LLP

(30) **Foreign Application Priority Data**

(57) **CLAIM**

Mar. 14, 2023 (JP) 2023-005056D

The ornamental design for a toner container, as shown and described.

(51) **LOC (15) Cl.** **18-02**

DESCRIPTION

(52) **U.S. Cl.**

USPC **D18/43**

(58) **Field of Classification Search**

USPC D18/12, 18, 43, 55, 56; D15/122,
D15/135–138, 141, 66, 73, 76–78, 89;
D14/420–425, 435–438, 462; D26/52,
D26/60, 113

CPC B41J 2/14; H04N 1/00

See application file for complete search history.

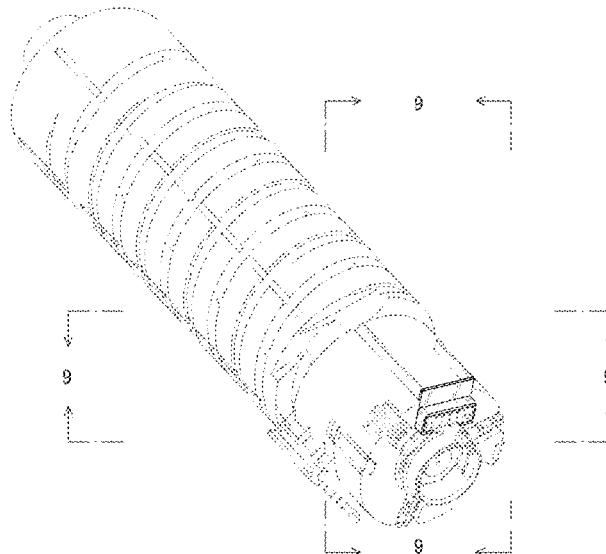
(56) **References Cited**

U.S. PATENT DOCUMENTS

D356,815 S *	3/1995	Nakajima	D18/43
D379,634 S *	6/1997	Ootani	D18/43
D404,758 S *	1/1999	Koide	D18/43
D414,507 S *	9/1999	Nozawa	D18/43
D422,303 S *	4/2000	Takeuchi	D18/43
D442,623 S *	5/2001	Yoshizawa	D18/43
D532,037 S *	11/2006	Tsuda	D18/43
D614,232 S *	4/2010	Yamada	D18/43

(Continued)

1 Claim, 10 Drawing Sheets



(56)

References Cited

U.S. PATENT DOCUMENTS

D622,759	S	*	8/2010	Yoshida	D18/43
D656,181	S	*	3/2012	Kikuchi	D18/43
D667,047	S	*	9/2012	Oshikawa	D18/43
D683,391	S	*	5/2013	Takahashi	D18/43
D734,386	S	*	7/2015	Kikuchi	D18/43
D760,315	S	*	6/2016	Wang	D18/43
D785,701	S		5/2017	Kuboki et al.		
D795,339	S		8/2017	Kuboki et al.		
D798,380	S	*	9/2017	Murata	D18/43
D816,153	S	*	4/2018	Oizumi	D18/43
D828,868	S	*	9/2018	Kubo	D18/43
D864,288	S	*	10/2019	Oizumi	D18/43
D894,267	S	*	8/2020	Ikeda	D18/43
D899,513	S	*	10/2020	Ohashi	D18/43

OTHER PUBLICATIONS

ORWETO Toner Cartridge, Amazon.com,published Dec. 24, 2021,retrieved Aug. 6, 2024, U.S. Appl. No. 29/898,127—<https://shorturl.at/6Zxa2> (Year: 2021).*

* cited by examiner

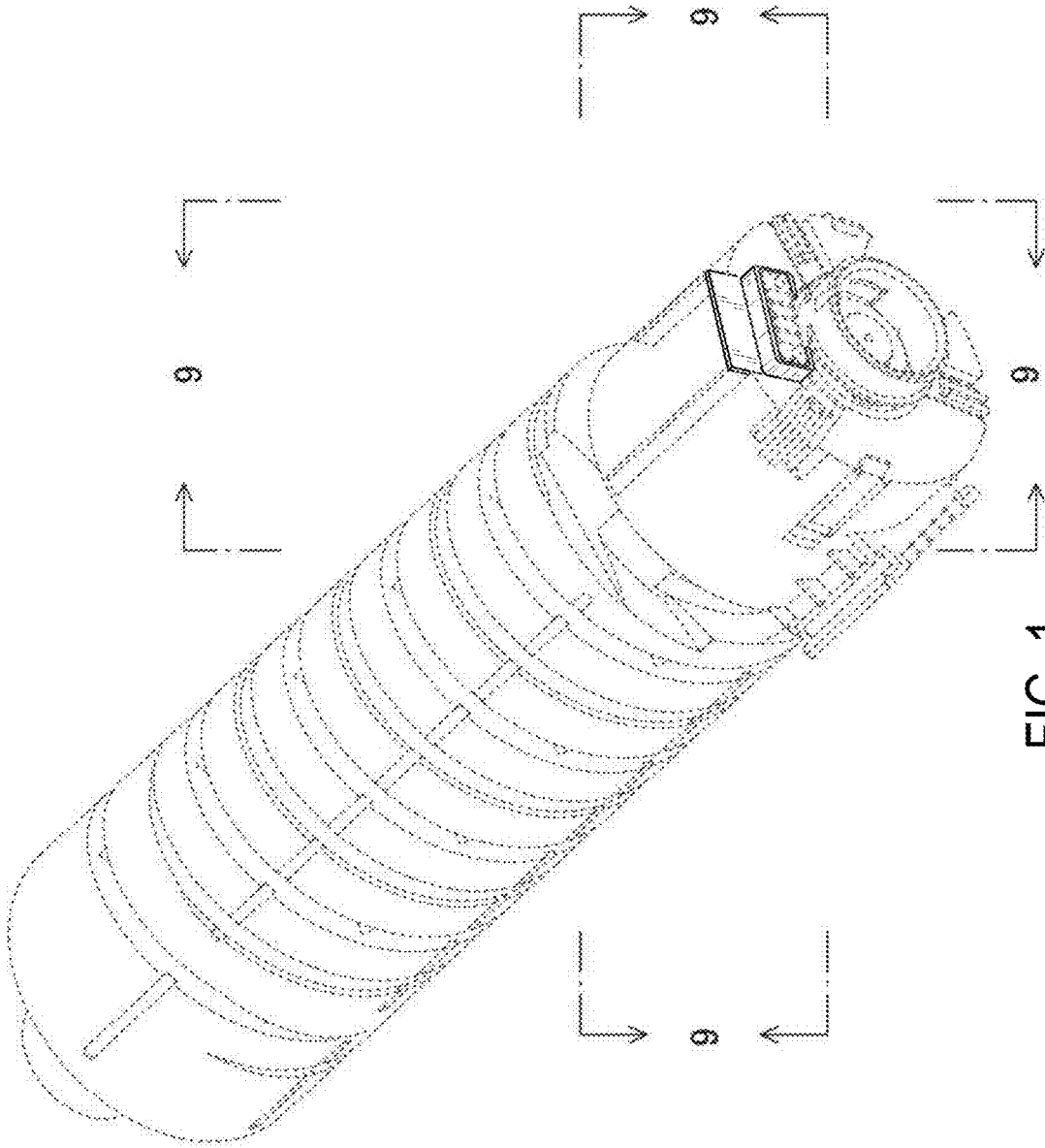


FIG. 1

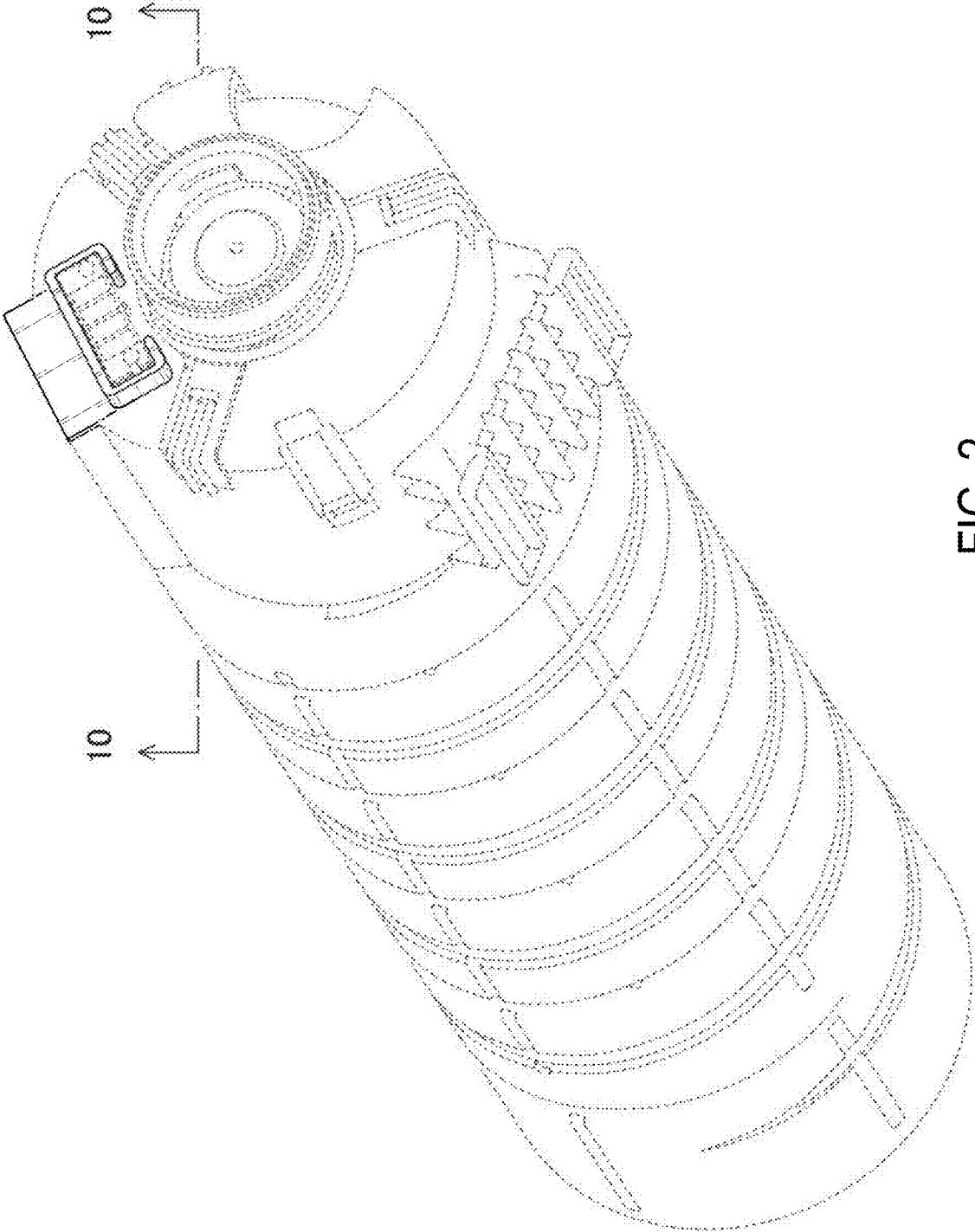


FIG. 2

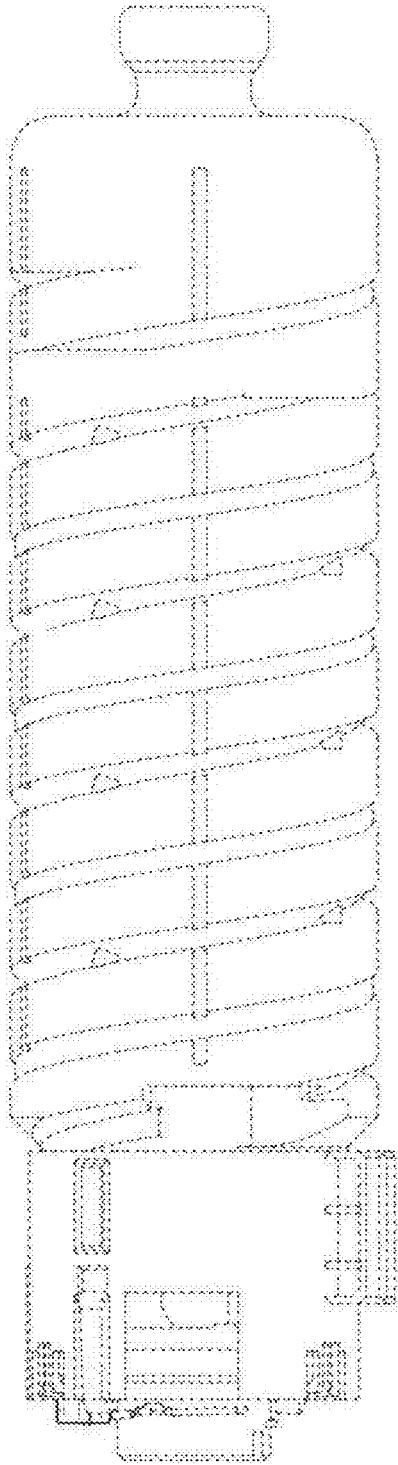


FIG. 3

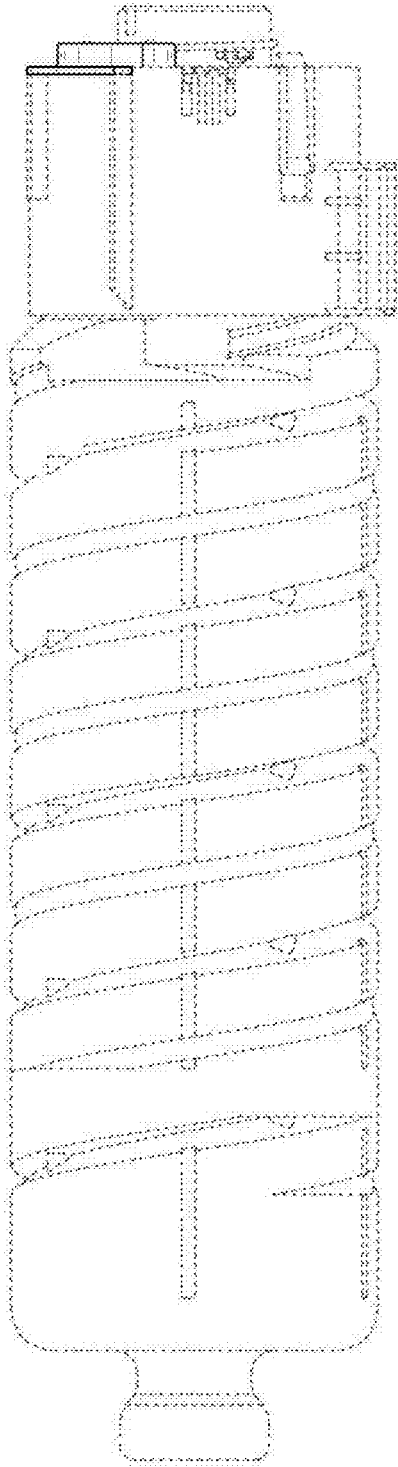


FIG. 4

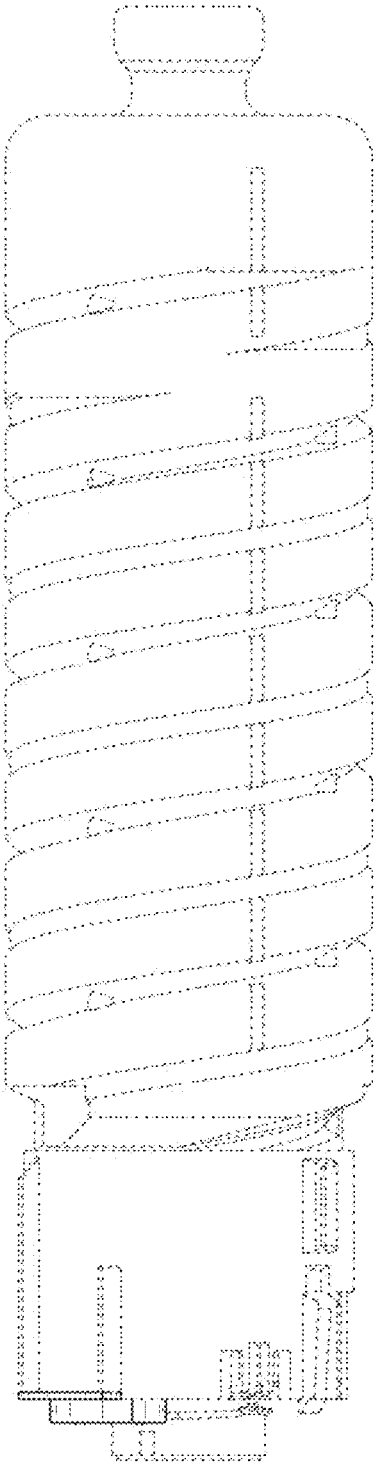


FIG. 5

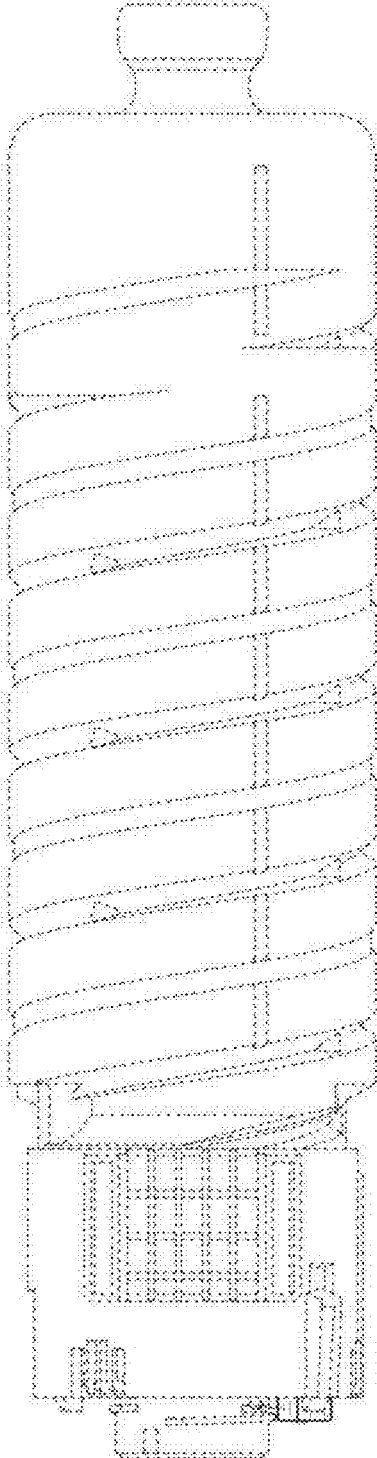


FIG. 6

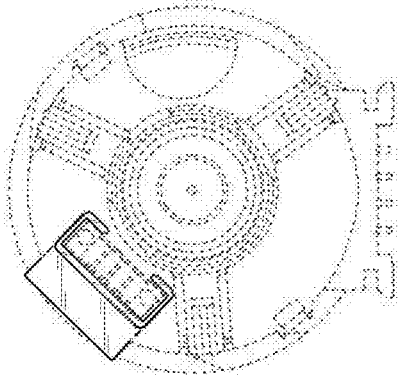


FIG. 7

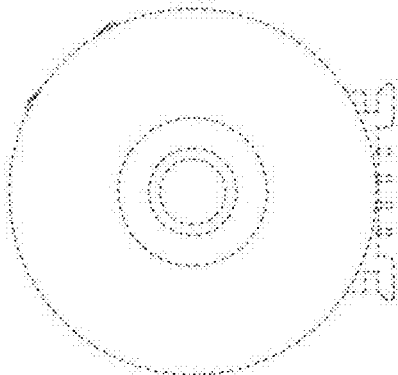


FIG. 8

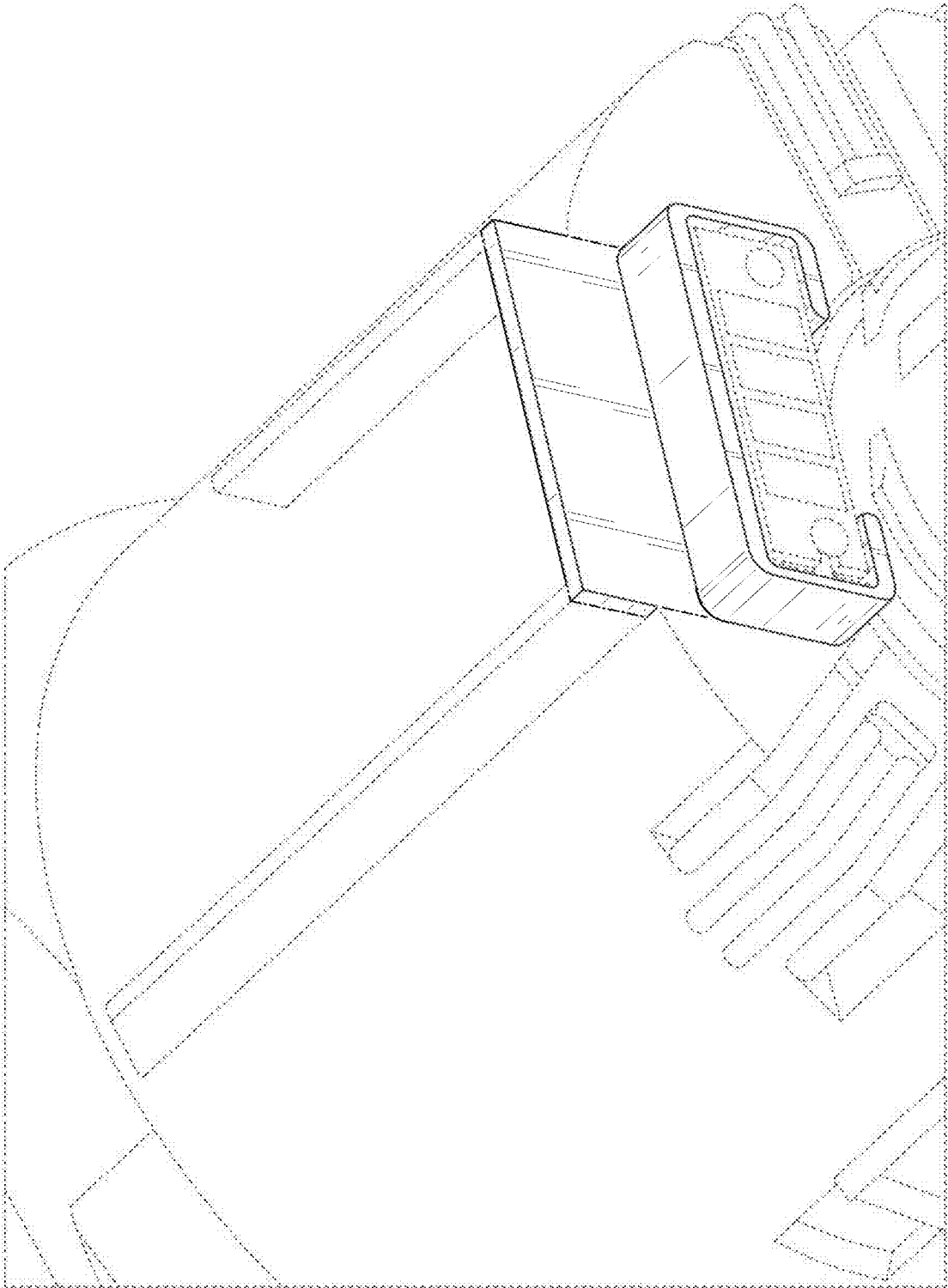


FIG. 9

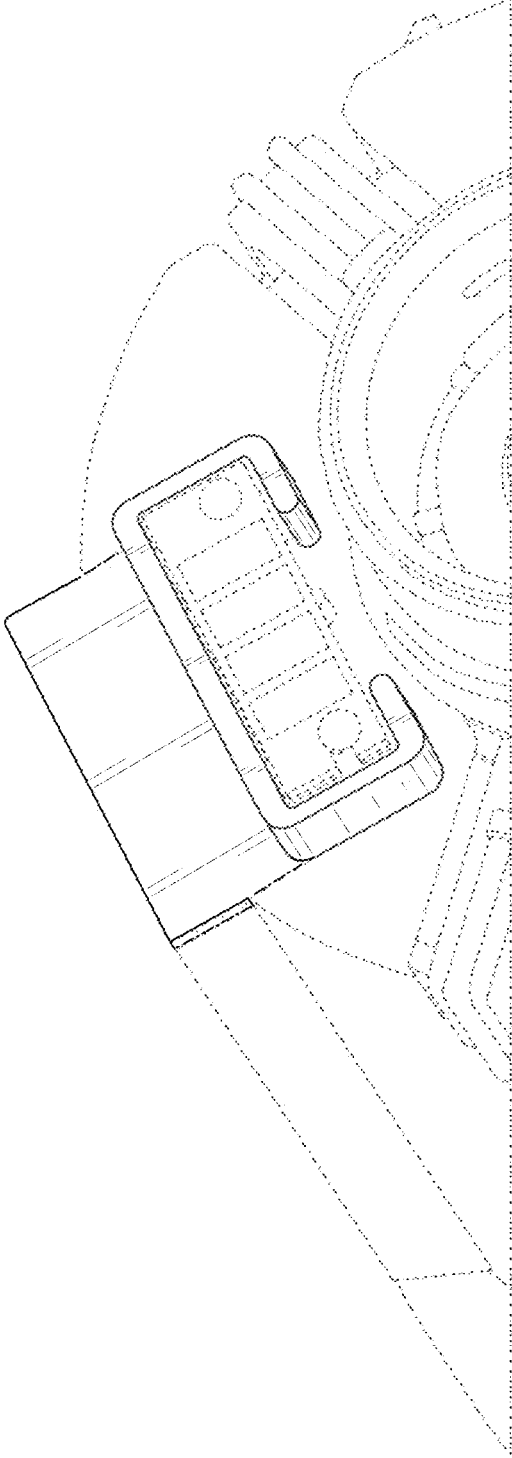


FIG. 10