



US00D844472S

(12) **United States Design Patent**
Van Wijngaarden et al.

(10) **Patent No.:** **US D844,472 S**

(45) **Date of Patent:** **** Apr. 2, 2019**

(54) **FILLING MACHINE FOR CANISTER**

(71) Applicant: **CANISTER SOLUTIONS B.V.**,
Driebergen-Rijsenburg (NL)

(72) Inventors: **Caroline Van Wijngaarden**,
Driebergen-Rijsenburg (NL); **Arie Van**
Wijngaarden, Driebergen-Rijsenburg
(NL)

(73) Assignee: **CANISTER SOLUTIONS B.V.**,
Driebergen-Rijsenburg (NL)

(**) Term: **15 Years**

(21) Appl. No.: **29/614,019**

(22) Filed: **Aug. 15, 2017**

(30) **Foreign Application Priority Data**

Feb. 16, 2017 (EP) 003755263-0003

(51) **LOC (11) Cl.** **10-04**

(52) **U.S. Cl.**
USPC **D10/97**

(58) **Field of Classification Search**

USPC D7/300, 306, 311, 312; D14/301, 303,
D14/420-425, 462-470; D15/122, 135,
D15/138; D18/6, 7, 35, 46-50, 54, 54.1,
D18/55, 56, 57, 59; D24/100, 232;
D34/1, 6, 7, 8, 11; D10/46, 96, 97
CPC B28B 1/001; B29C 64/00; B29C 64/20;
B29C 64/124; B29C 64/153; B29C
67/0051; B33Y 30/00; B65B 5/103
See application file for complete search history.

(56) **References Cited**

U.S. PATENT DOCUMENTS

D287,089 S * 12/1986 Cesaroni D7/308
D304,407 S * 11/1989 Fossella D7/308
D424,850 S * 5/2000 Handfield D6/515

D428,891 S * 8/2000 Harada D14/425
D435,991 S * 1/2001 Handfield D6/515
D453,663 S * 2/2002 Mori D7/589
D454,023 S * 3/2002 Wang D7/309
D533,555 S * 12/2006 Odhe D14/420
D558,504 S * 1/2008 Ben-Shlomo D7/306
D597,366 S * 8/2009 Drake D7/306
D600,492 S * 9/2009 Hammad D7/306
D617,799 S * 6/2010 Odhe D14/420
D646,105 S * 10/2011 Deo D7/306
D669,154 S * 10/2012 Choi D23/207

(Continued)

OTHER PUBLICATIONS

Feeder Nominated for High Tech Platform IIA, posted on vanbero.nl, posted Feb. 3, 2017, no production date given, [online], [site visited May 10, 2018], Available from Internet, URL: https://vanbero.nl/en/news/70/uniqster-feeder-nominated-for-high-tech-platform-ii-a (Year: 2017).*

Primary Examiner — Melanie H Tung
Assistant Examiner — Fitzgerald L Butac
(74) *Attorney, Agent, or Firm* — Peretz Chesal & Hermann, P.L.

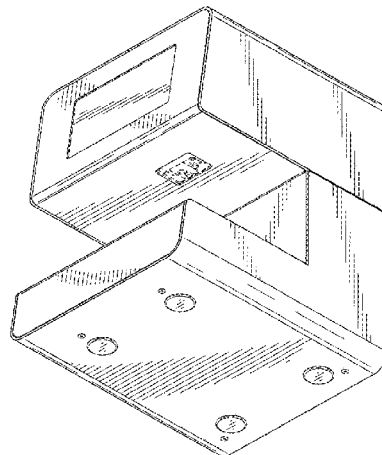
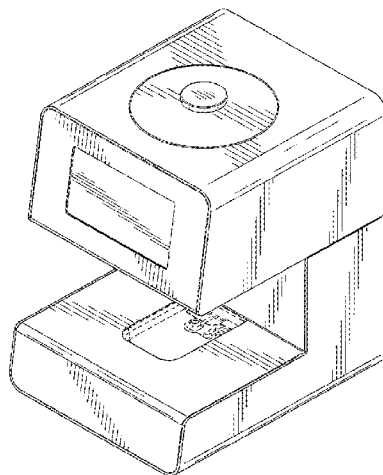
(57) **CLAIM**

The ornamental design for a “filling machine for canister,” as shown and described.

DESCRIPTION

FIG. 1 is a top perspective view of a filling machine for canister;
FIG. 2 is a bottom perspective view thereof;
FIG. 3 is a top view thereof;
FIG. 4 is a bottom view thereof;
FIG. 5 is a side plan view thereof;
FIG. 6 is a front plan view thereof; and,
FIG. 7 is a back plan view thereof.
The broken lines show portions of a filling machine for canister that form no part of the claimed design.

1 Claim, 7 Drawing Sheets



(56)

References Cited

U.S. PATENT DOCUMENTS

D684,013	S	*	6/2013	Vance	D7/589
D700,607	S	*	3/2014	Cederstrom	D14/420
D702,237	S	*	4/2014	Oberpriller	D14/420
D737,452	S	*	8/2015	Park	D24/185
D738,663	S	*	9/2015	De'Longhi	D7/306
D742,878	S	*	11/2015	Sedlmeir	D14/385
D745,576	S	*	12/2015	Sherman	D15/80
D755,556	S	*	5/2016	Bandixen	D7/306
D757,479	S	*	5/2016	Steiner	D7/309
D760,529	S	*	7/2016	Hakansson	D7/306
D763,330	S	*	8/2016	Olive	D15/122
D775,887	S	*	1/2017	Atkin	D7/306
D777,809	S	*	1/2017	Wu	D15/122
D789,142	S	*	6/2017	Broen	D7/307
D791,203	S	*	7/2017	Zhang	D15/122
D791,414	S	*	7/2017	Wilgus	D30/124
D792,164	S	*	7/2017	Mitchell	D7/589
D792,731	S	*	7/2017	Palermo	D7/306
D792,739	S	*	7/2017	Palermo	D7/306
D796,242	S	*	9/2017	Palermo	D7/307
D798,642	S	*	10/2017	Behar	D7/306
D799,879	S	*	10/2017	Shmueli	D7/306
D807,691	S	*	1/2018	Connell	D7/378
D811,794	S	*	3/2018	Palermo	D7/309

* cited by examiner

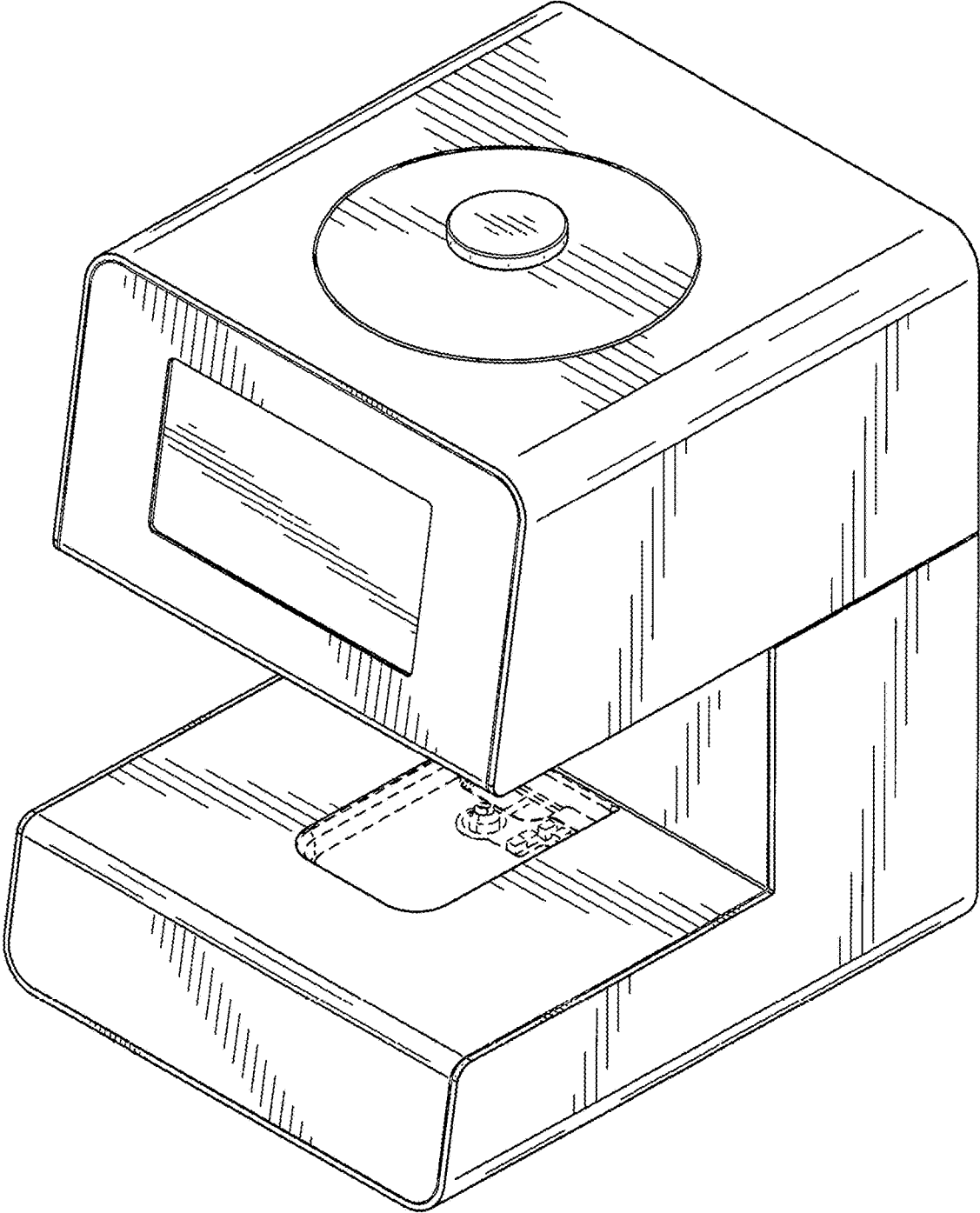


FIG. 1

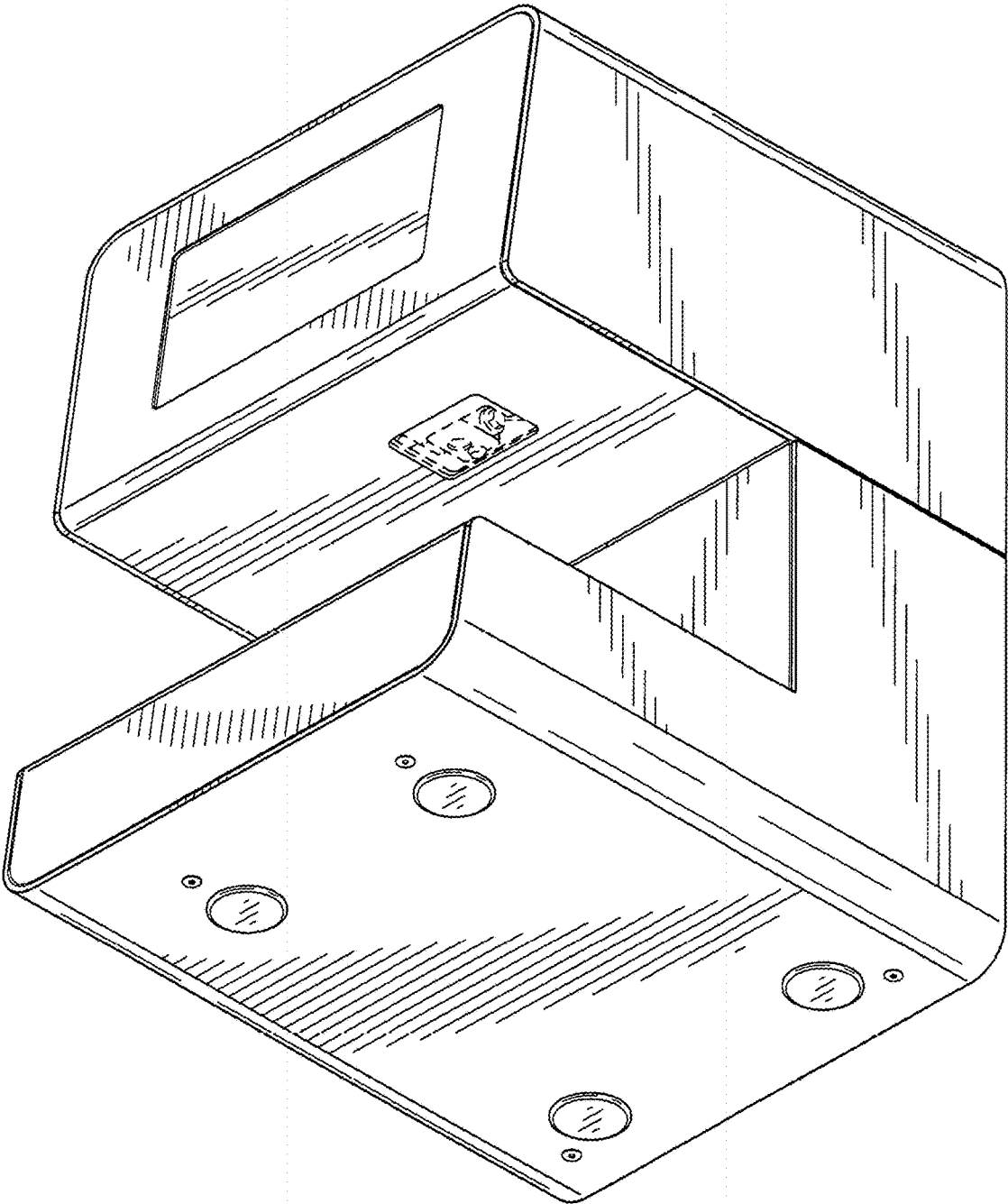


FIG. 2

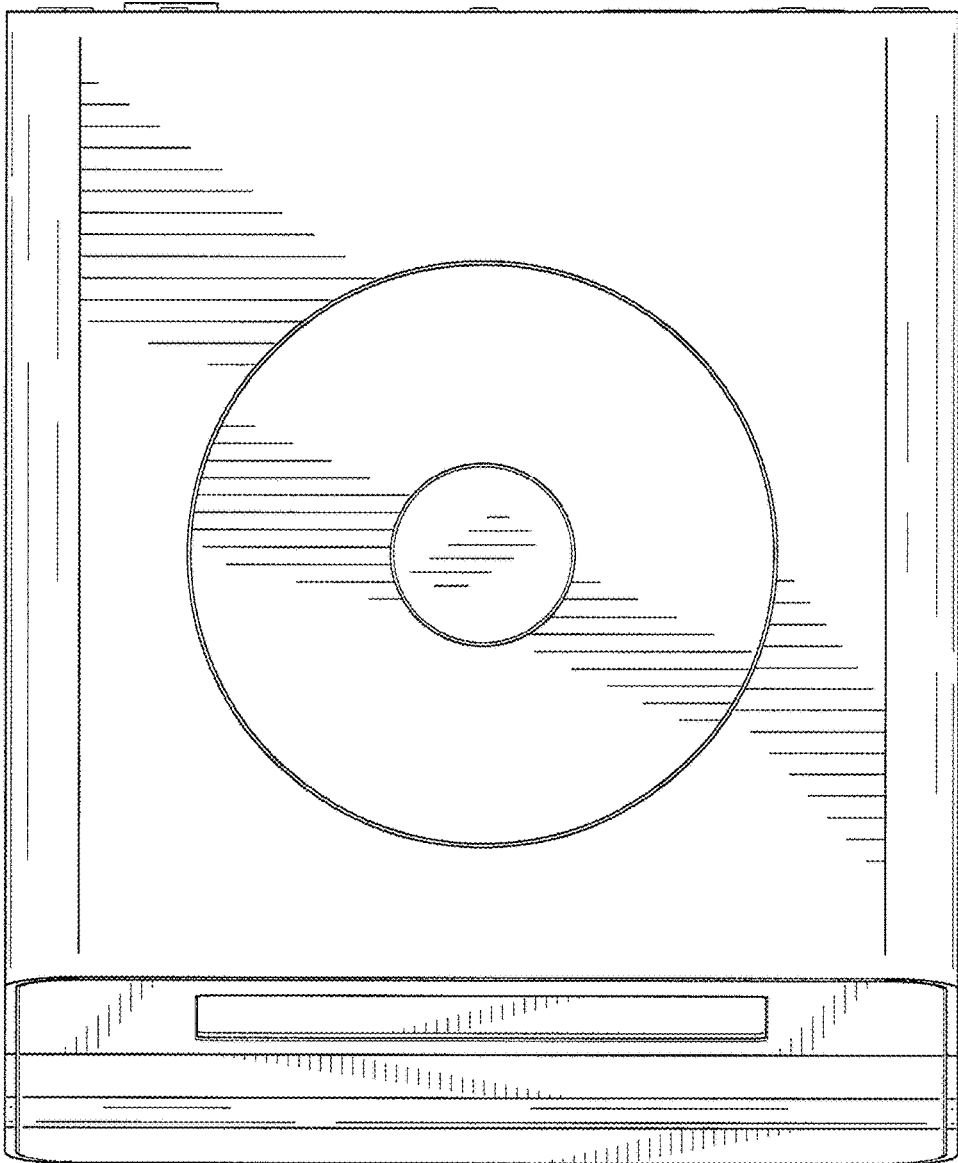


FIG. 3

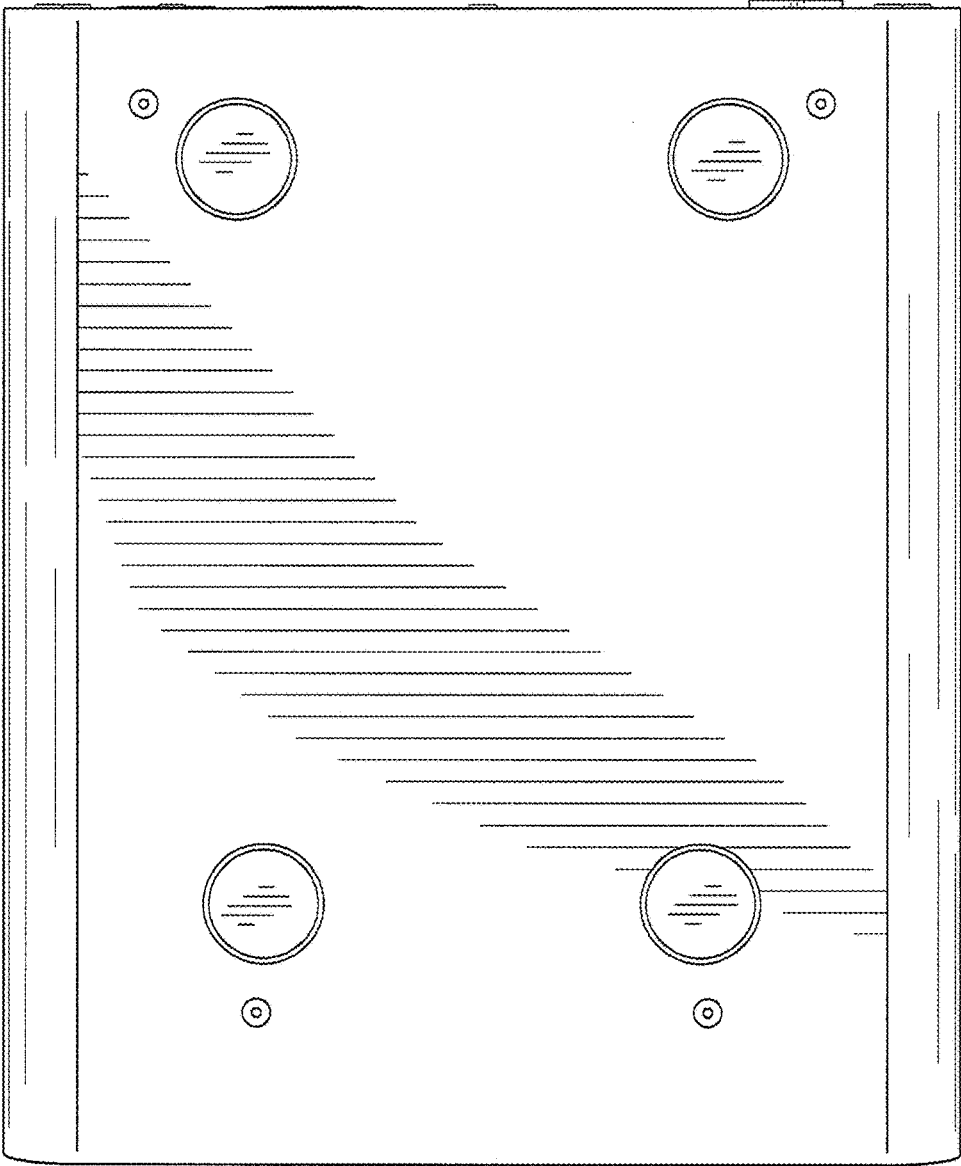


FIG. 4

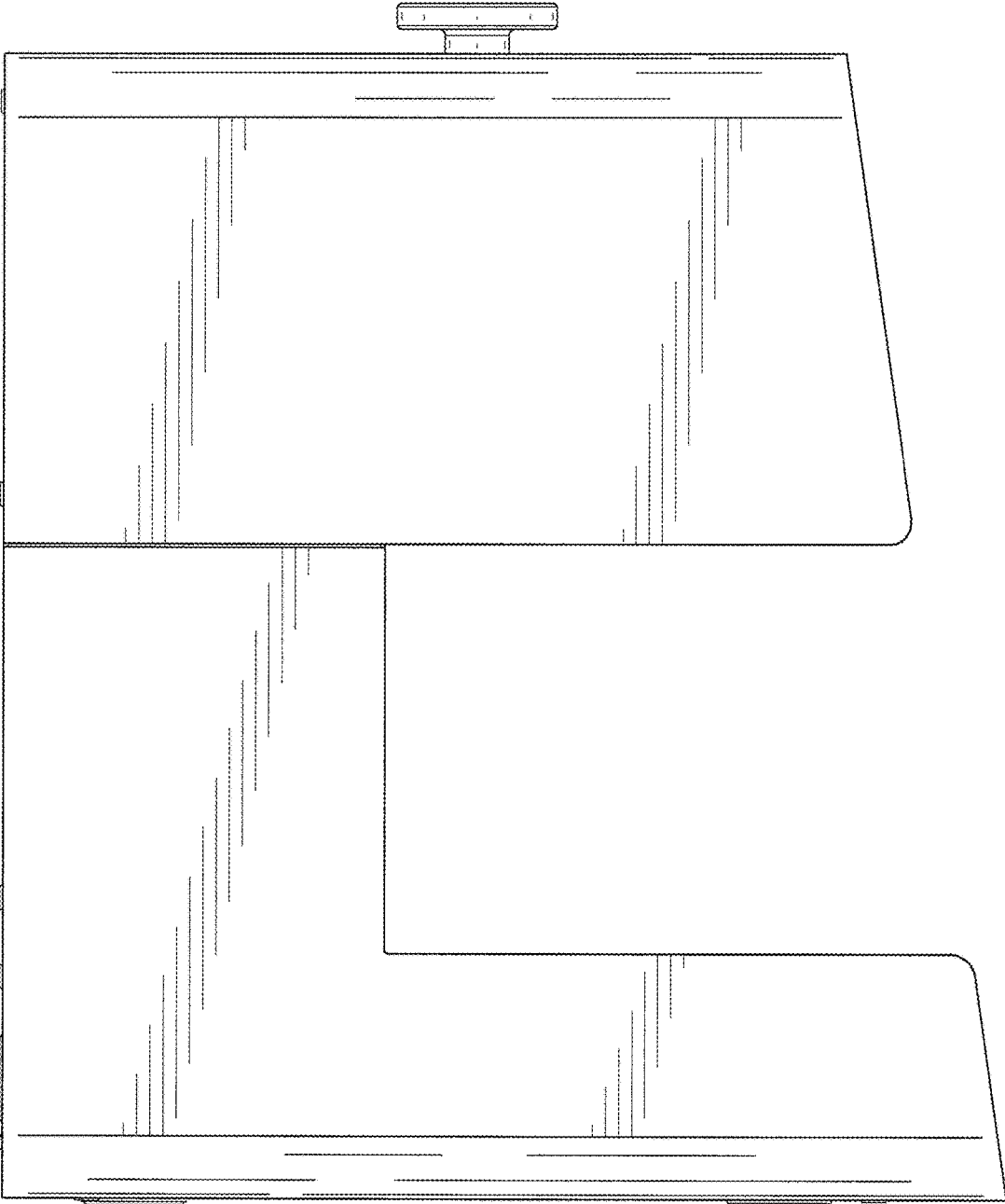


FIG. 5

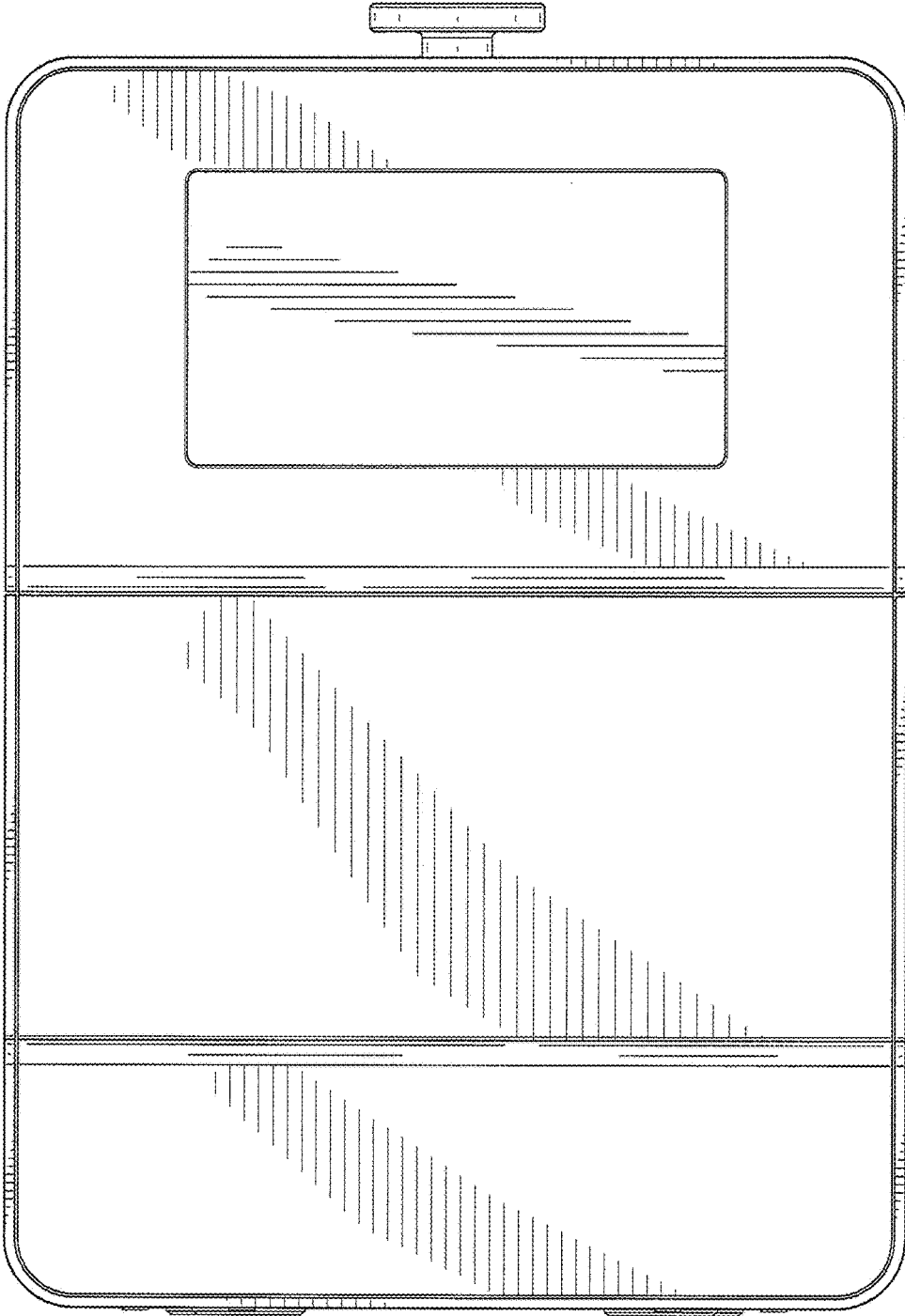


FIG. 6

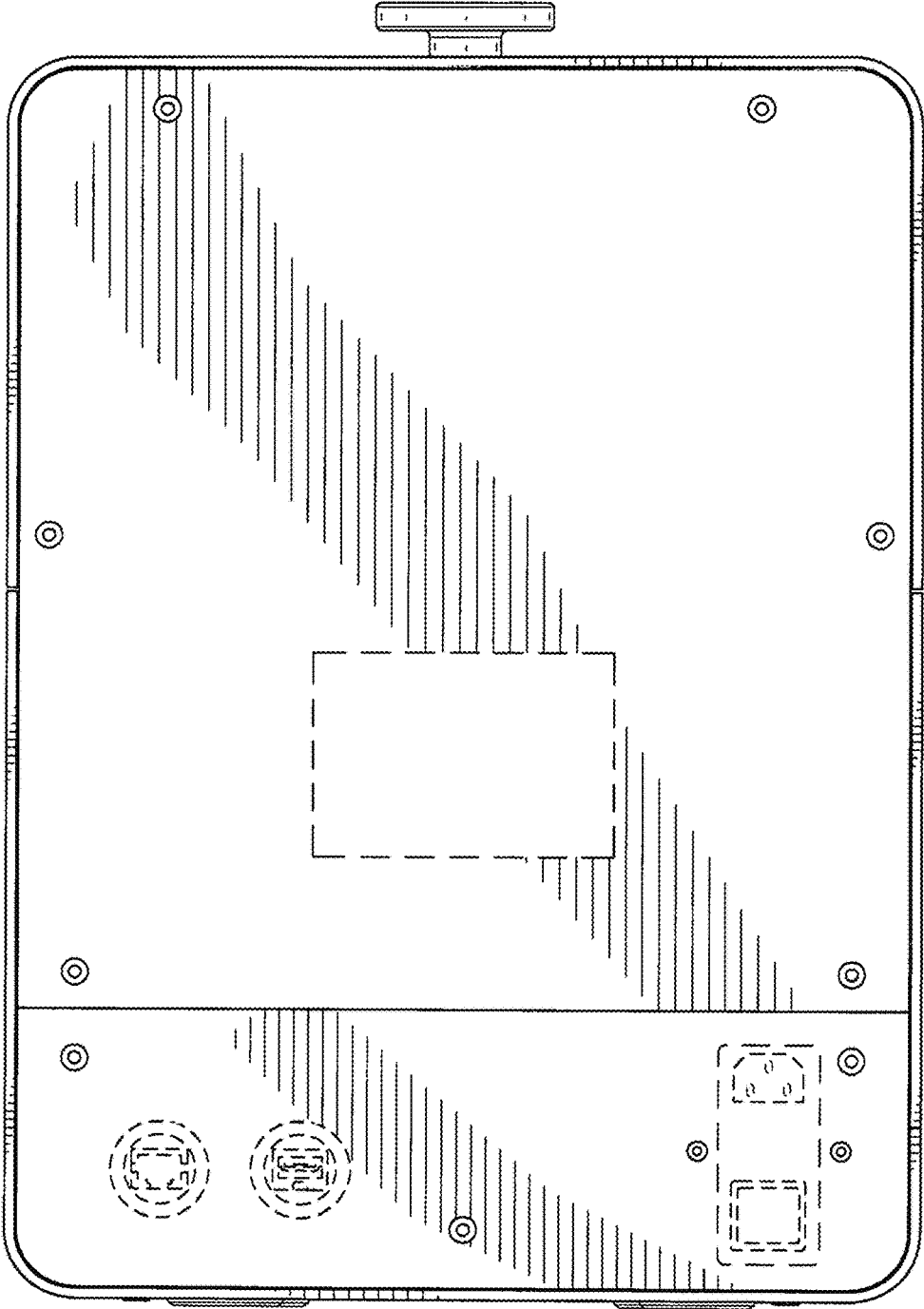


FIG. 7