



US00D467742S

(12) **United States Design Patent** (10) **Patent No.:** **US D467,742 S**  
**de Blois** (45) **Date of Patent:** **\*\* Dec. 31, 2002**

(54) **STOOL**  
(75) Inventor: **Martin de Blois**, Chicago, IL (US)  
(73) Assignee: **Baronet, Inc.** (CA)  
(\*\*) Term: **14 Years**

*Primary Examiner*—Janice E. Seeger  
(74) *Attorney, Agent, or Firm*—SAIDMAN DesignLaw Group

(21) Appl. No.: **29/159,132**  
(22) Filed: **Apr. 15, 2002**

(57) **CLAIM**  
The ornamental design for a stool, as shown and described.

(51) **LOC (7) Cl.** ..... **06-01**  
(52) **U.S. Cl.** ..... **D6/349**  
(58) **Field of Search** ..... D6/349–353, 495;  
297/461, 462, 423.1, 423.14, 423.15, 423.6,  
423.39, 423.4, 423.41

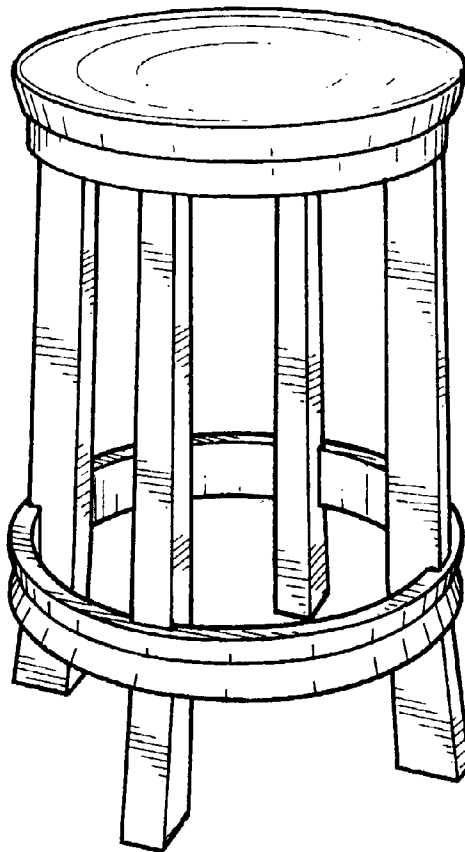
**DESCRIPTION**

FIG. 1 is a side perspective view of a stool showing my new design;  
FIG. 2 is a top perspective view thereof;  
FIG. 3 is a side view thereof;  
FIG. 4 is a top view thereof;  
FIG. 5 is a side perspective view of a second embodiment showing my new design;  
FIG. 6 is a top perspective view thereof;  
FIG. 7 is a side view thereof; and,  
FIG. 8 is a top view thereof.

(56) **References Cited**  
**U.S. PATENT DOCUMENTS**  
D49,385 S \* 7/1916 Feldman ..... D6/352  
D132,105 S \* 4/1942 Peterson ..... D6/352  
D269,828 S \* 7/1983 Greene ..... D6/349

\* cited by examiner

**1 Claim, 4 Drawing Sheets**



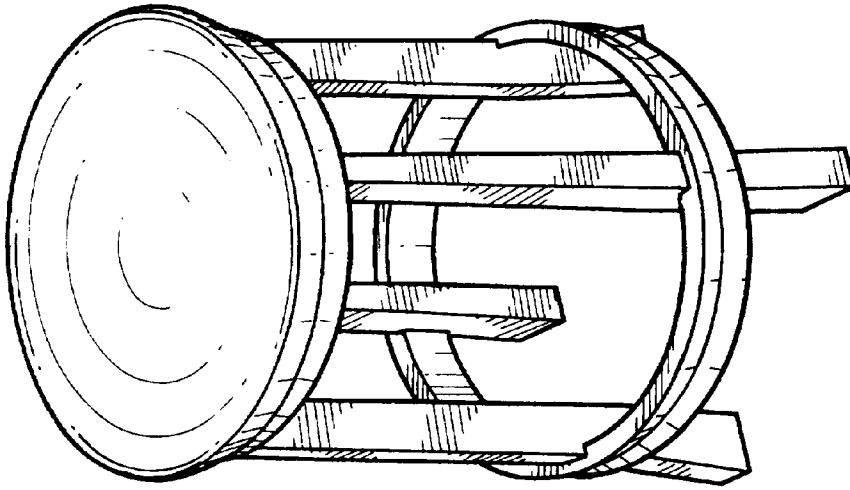


FIG. 2

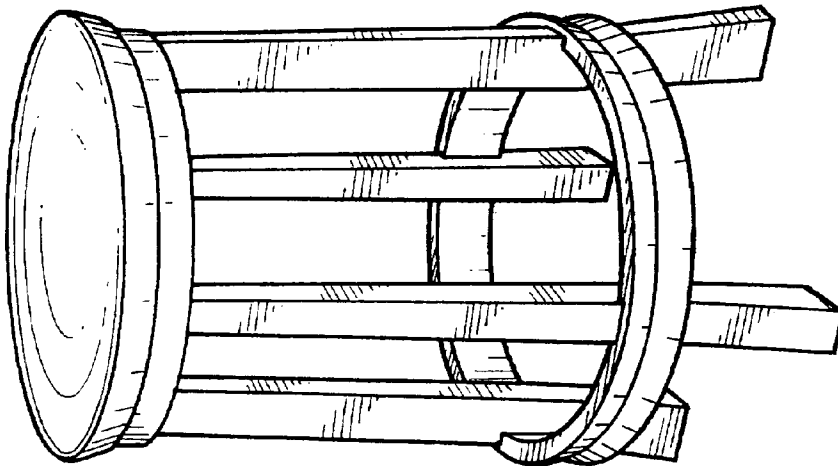


FIG. 1

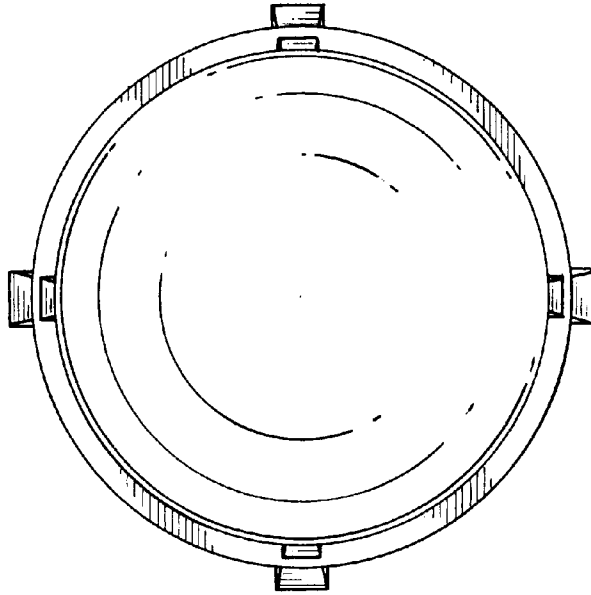


FIG. 4

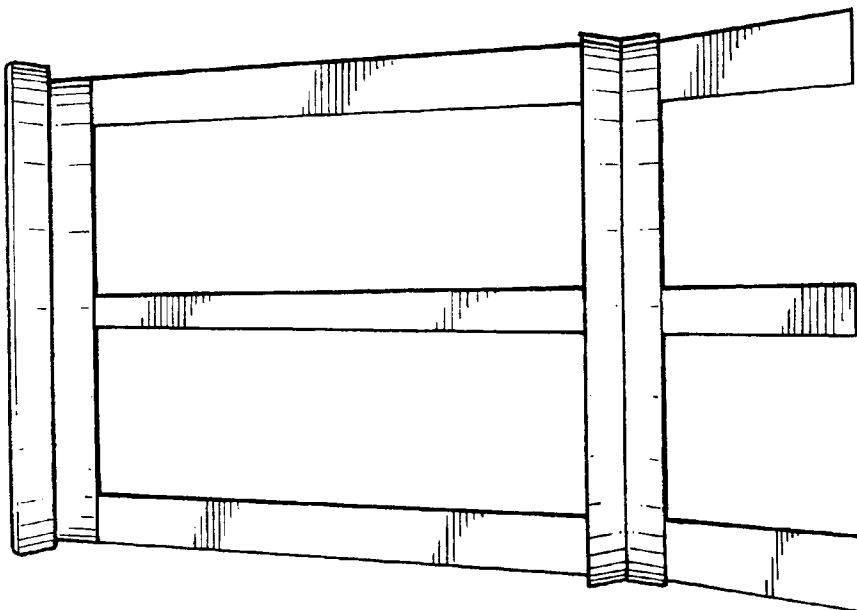


FIG. 3

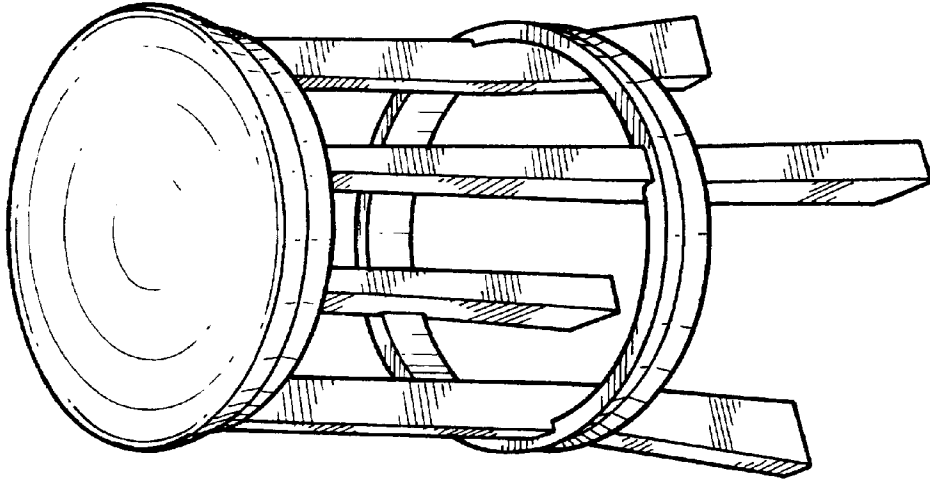


FIG. 6

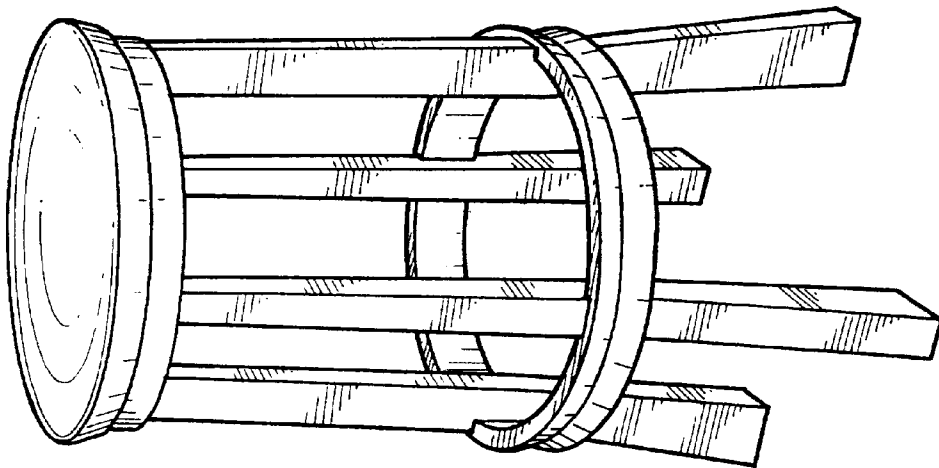


FIG. 5

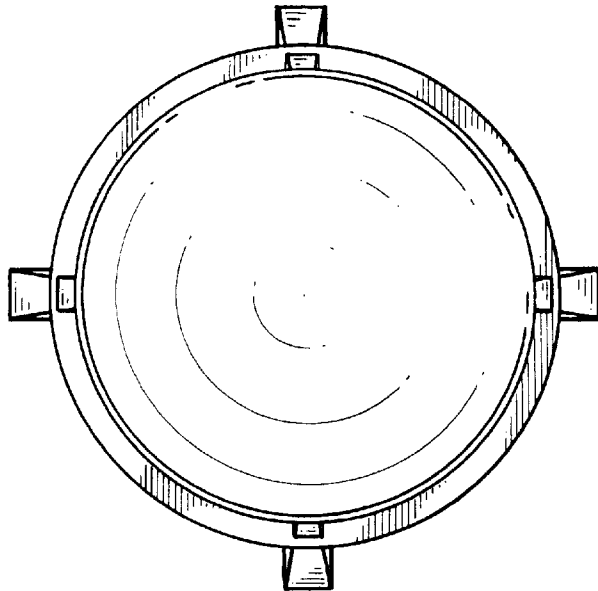


FIG. 8

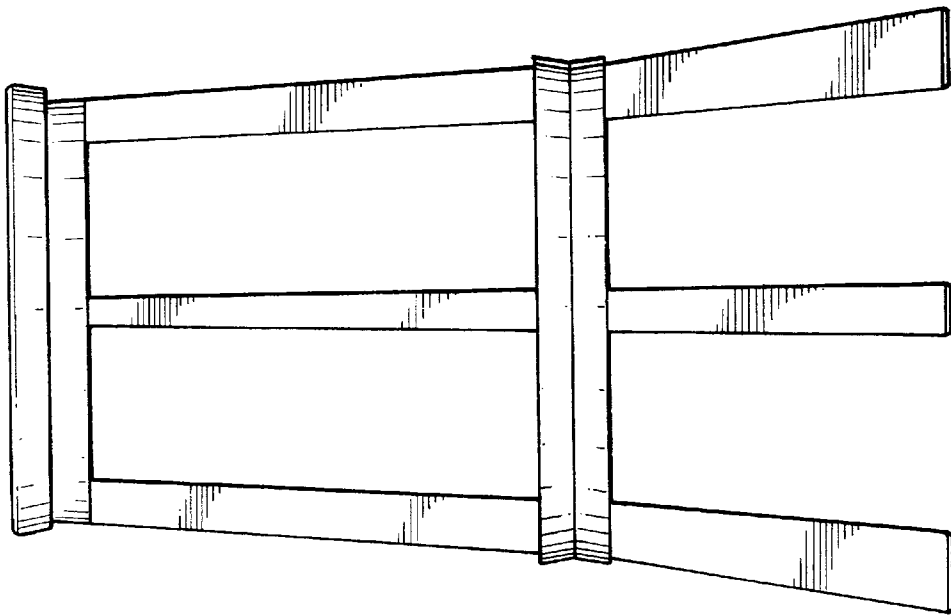


FIG. 7