



US00D710494S

(12) **United States Design Patent**  
**Wu**

(10) **Patent No.:** **US D710,494 S**

(45) **Date of Patent:** **\*\* Aug. 5, 2014**

(54) **RESPIRATOR**

(71) Applicant: **Tecmen Electronics Co., Ltd.**, Nanjing (CN)

(72) Inventor: **Ziqian Wu**, Nanjing (CN)

(73) Assignee: **Tecmen Electronics Co., Ltd.**, Nanjing (CN)

(\*\*) Term: **14 Years**

(21) Appl. No.: **29/476,725**

(22) Filed: **Dec. 16, 2013**

(51) **LOC (10) Cl.** ..... **29-02**

(52) **U.S. Cl.**  
USPC ..... **D24/110**

(58) **Field of Classification Search**  
USPC ..... D29/100, 108, 122; D24/110, 107, 108, D24/121; 128/200.11, 200.12, 200.13, 128/200.24, 200.25, 200.26, 203.12, 128/203.13, 203.15, 203.16, 203.17, 128/203.18, 203.19, 203.22, 205.13, 128/207.14, 207.18

See application file for complete search history.

(56) **References Cited**

**U.S. PATENT DOCUMENTS**

D467,335 S *	12/2002	Lithgow et al.	.....	D24/110
D468,011 S *	12/2002	Lithgow et al.	.....	D24/110
D477,868 S *	7/2003	Lithgow et al.	.....	D24/110
D483,859 S *	12/2003	Omholt	.....	D24/110
D487,311 S *	3/2004	Lithgow et al.	.....	D24/110
D497,203 S *	10/2004	Lithgow et al.	.....	D24/110
D544,598 S *	6/2007	Lithgow et al.	.....	D24/110
D549,321 S *	8/2007	Snow et al.	.....	D24/110
D560,795 S *	1/2008	Lithgow et al.	.....	D24/110
D561,330 S *	2/2008	Richards et al.	.....	D24/110
D585,540 S *	1/2009	Lithgow et al.	.....	D24/110
D604,830 S *	11/2009	Lithgow et al.	.....	D24/110
D620,102 S *	7/2010	Klien et al.	.....	D24/110

D626,642 S *	11/2010	Virr et al.	.....	D23/356
D627,044 S *	11/2010	Virr et al.	.....	D23/356
D637,710 S *	5/2011	Huh	.....	D24/110
D658,283 S *	4/2012	Burz et al.	.....	D24/110
D659,235 S *	5/2012	Bertinetti et al.	.....	D24/110
D671,206 S *	11/2012	McGarrity et al.	.....	D24/110
D675,730 S *	2/2013	Lithgow et al.	.....	D24/110
D679,801 S *	4/2013	Abel et al.	.....	D24/110
RE44,453 E *	8/2013	Virr et al.	.....	128/203.27
2007/0193582 A1 *	8/2007	Kwok et al.	.....	128/204.18
2008/0072900 A1 *	3/2008	Kenyon et al.	.....	128/204.18
2009/0224514 A1 *	9/2009	Musi	.....	280/727
2009/0314295 A1 *	12/2009	Hatmaker	.....	128/205.12
2010/0147301 A1 *	6/2010	Kwok	.....	128/204.21
2011/0023877 A1 *	2/2011	Kenyon et al.	.....	128/203.26
2011/0180068 A1 *	7/2011	Kenyon et al.	.....	128/203.26

\* cited by examiner

Primary Examiner — Elizabeth J Oswecki

(74) *Attorney, Agent, or Firm* — Leydig, Voit & Mayer, Ltd.

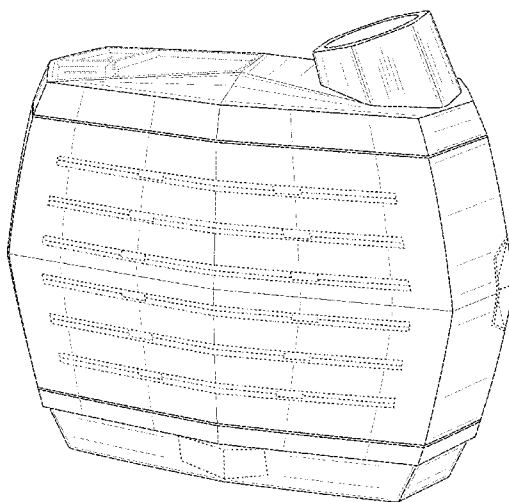
(57) **CLAIM**

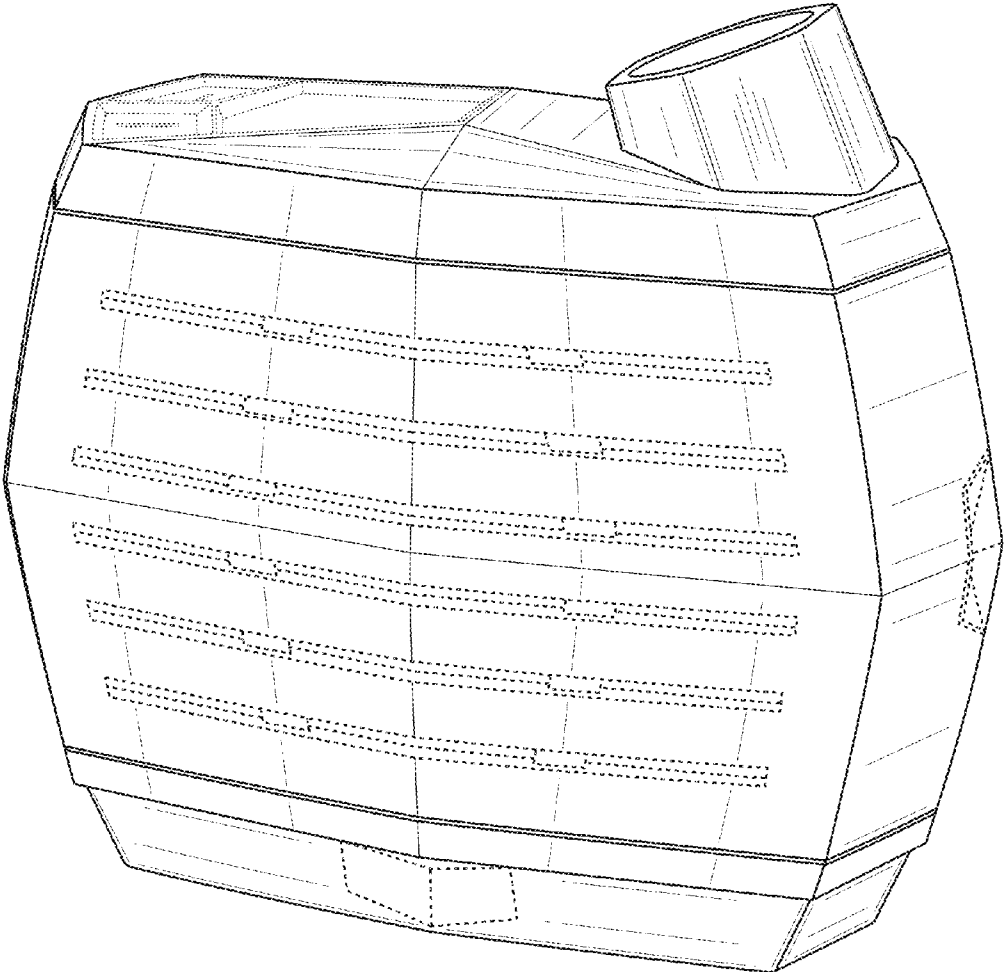
The ornamental design for a respirator, as shown and described.

**DESCRIPTION**

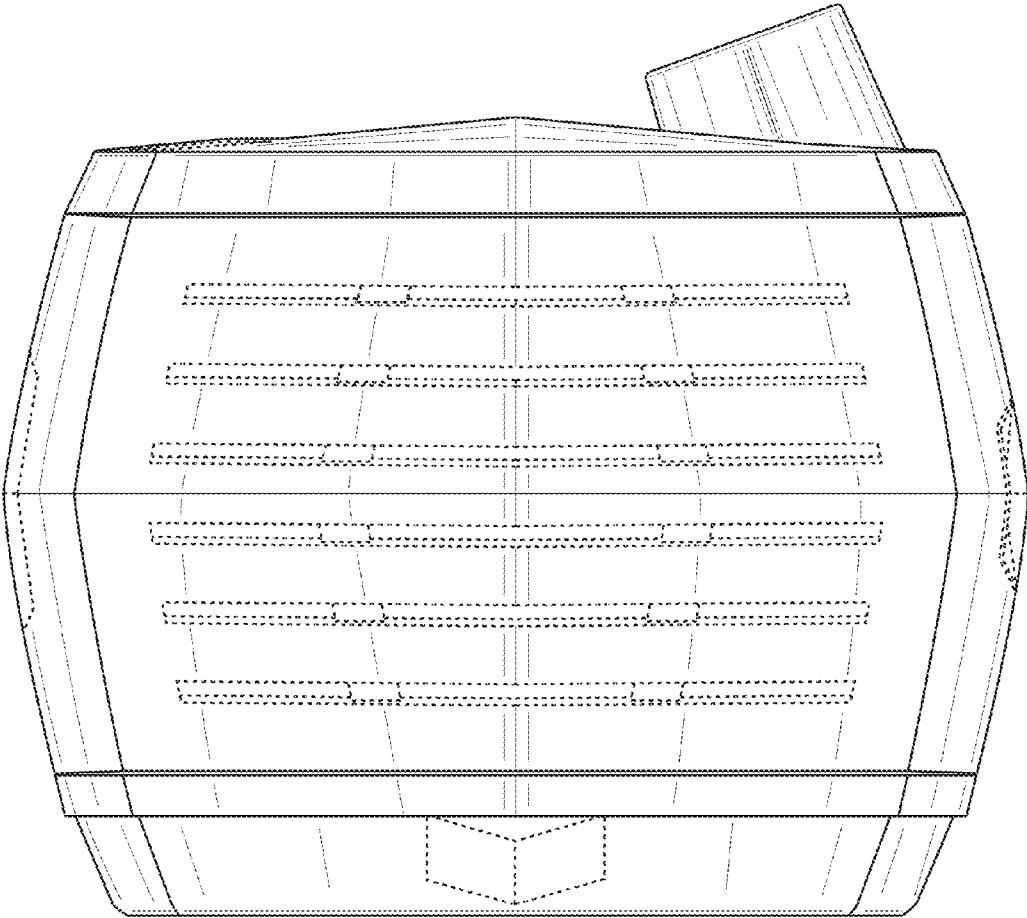
FIG. 1 is a top, front, right side perspective view of a respirator showing my new design;  
 FIG. 2 is a front elevational view of the respirator shown in FIG. 1;  
 FIG. 3 is a rear elevational view of the respirator shown in FIG. 1;  
 FIG. 4 is a left side elevational view of the respirator shown in FIG. 1;  
 FIG. 5 is a right side elevational view of the respirator shown in FIG. 1;  
 FIG. 6 is a bottom plan view of the respirator shown in FIG. 1; and,  
 FIG. 7 is a top plan view of the respirator shown in FIG. 1.  
 The broken lines shown in the drawings represent portions of the respirator that form no part of the claimed design.

**1 Claim, 7 Drawing Sheets**

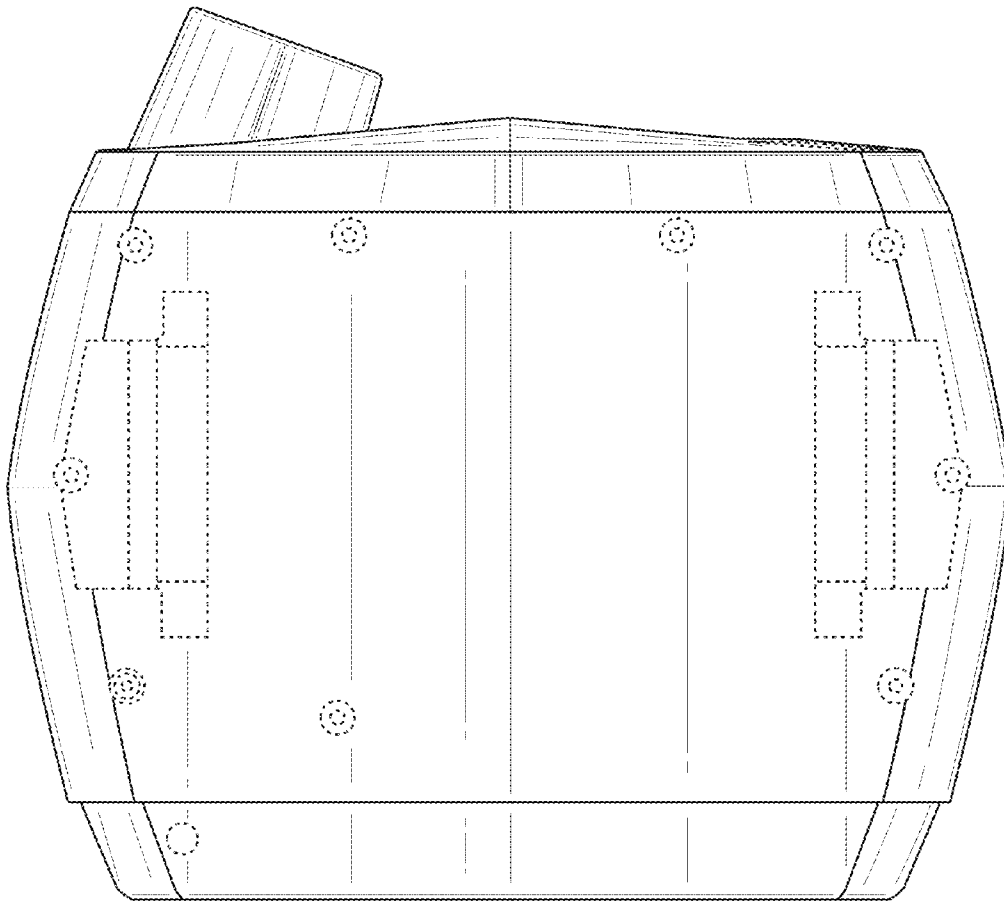




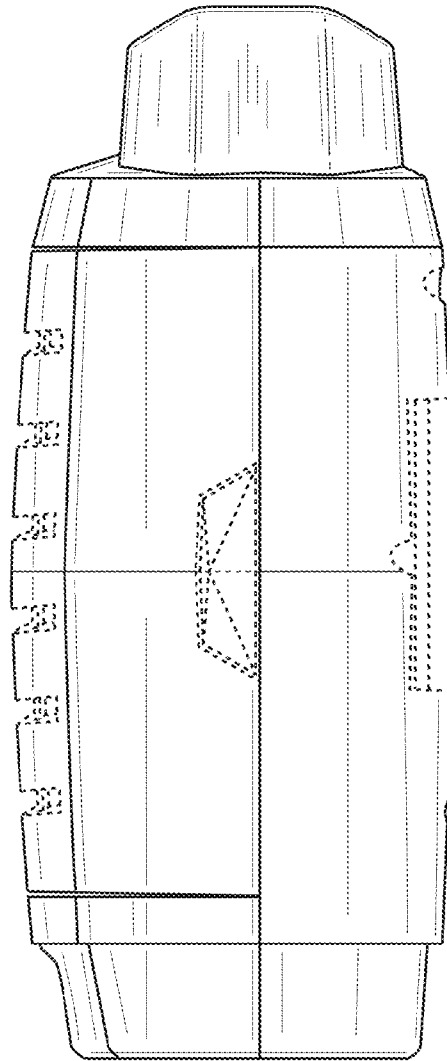
**FIG. 1**



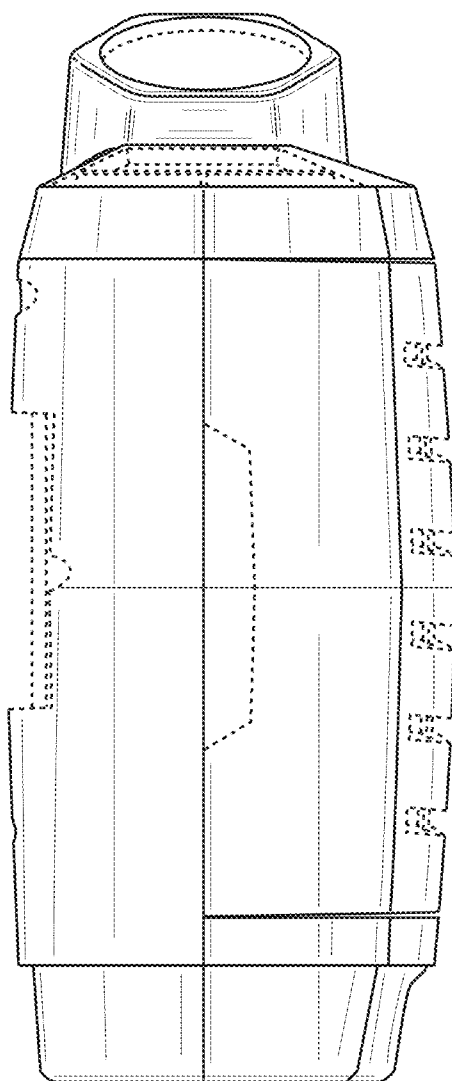
**FIG. 2**



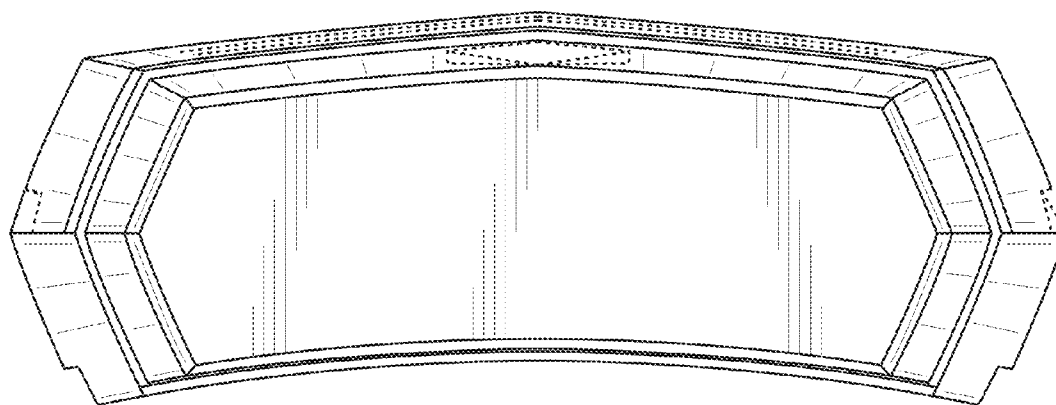
**FIG. 3**



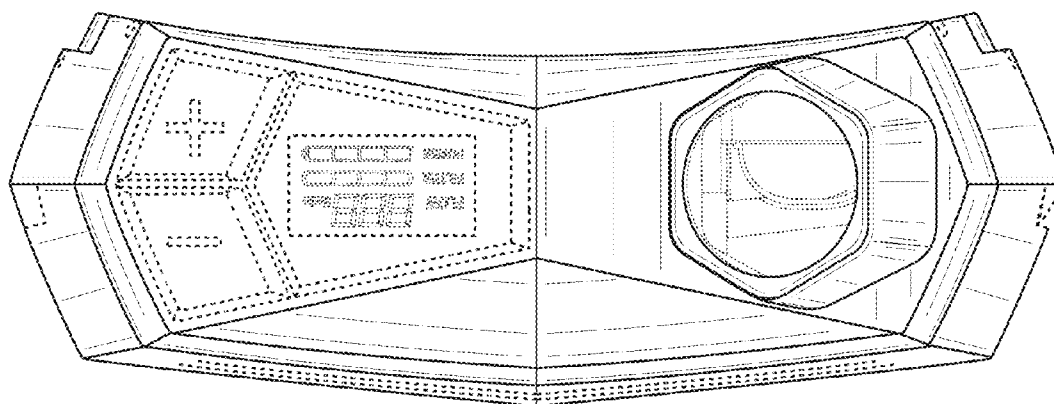
**FIG. 4**



**FIG. 5**



**FIG. 6**



**FIG. 7**