



US00D469846S

(12) **United States Design Patent**  
**Spickelmire**

(10) **Patent No.:** **US D469,846 S**

(45) **Date of Patent:** **\*\* Feb. 4, 2003**

(54) **LIQUID STABILIZING BAFFLE**

6,375,030 B1 \* 4/2001 Spickelmire ..... 220/563  
6,308,856 B1 10/2001 Spickelmire ..... 220/563

(76) Inventor: **W. James Spickelmire**, P.O. Box 66,  
Grangeville, ID (US) 83530

\* cited by examiner

(\*\*) Term: **14 Years**

*Primary Examiner*—Robin V. Taylor  
(74) *Attorney, Agent, or Firm*—Wells St. John P.S.

(21) Appl. No.: **29/162,799**

(57) **CLAIM**

(22) Filed: **Jun. 21, 2002**

I claim the ornamental design for a liquid stabilizing baffle,  
as shown and described.

**Related U.S. Application Data**

**DESCRIPTION**

(63) Continuation of application No. 10/050,335, filed on Jan. 15,  
2002, now Pat. No. 6,431,388, which is a continuation-in-  
part of application No. 09/813,046, filed on Mar. 19, 2001,  
which is a continuation-in-part of application No. 09/533,  
065, filed on Mar. 22, 2000, now Pat. No. 6,375,030, which  
is a continuation-in-part of application No. 09/224,170, filed  
on Dec. 31, 1998, now Pat. No. 6,308,856, which is a  
continuation-in-part of application No. 09/073,891, filed on  
May 6, 1998, now Pat. No. 5,890,618.

FIG. 1 is a perspective view of a liquid stabilizing baffle  
showing my new design;

FIG. 2 is a top plan view thereof;

FIG. 3 is a bottom plan view thereof;

FIG. 4 is a right side elevation view thereof;

FIG. 5 is a left side elevation view thereof;

FIG. 6 is a front side elevation view thereof;

FIG. 7 is a rear side elevation view thereof;

FIG. 8 is a perspective view of a liquid stabilizing baffle  
showing my new design in a context of its usage with an  
additional ring around it;

FIG. 9 is a top plan view of the liquid stabilizing baffle  
illustrated in FIG. 8;

FIG. 10 is a bottom plan view of the liquid stabilizing baffle  
showing my new invention in its context as shown in FIG.  
8;

FIG. 11 is a right side elevation view of the liquid stabilizing  
baffle shown in FIG. 8;

FIG. 12 is a left side elevation view of the liquid stabilizing  
baffle shown in FIG. 8;

FIG. 13 is a front side elevation view of the liquid stabilizing  
baffle shown in FIG. 8; and,

FIG. 14 is a rear side elevation view of the liquid stabilizing  
baffle illustrated in FIG. 8.

Dashed lines show environment and form no part of the  
claimed design.

(51) **LOC (7) Cl.** ..... **23-01**

(52) **U.S. Cl.** ..... **D23/206**

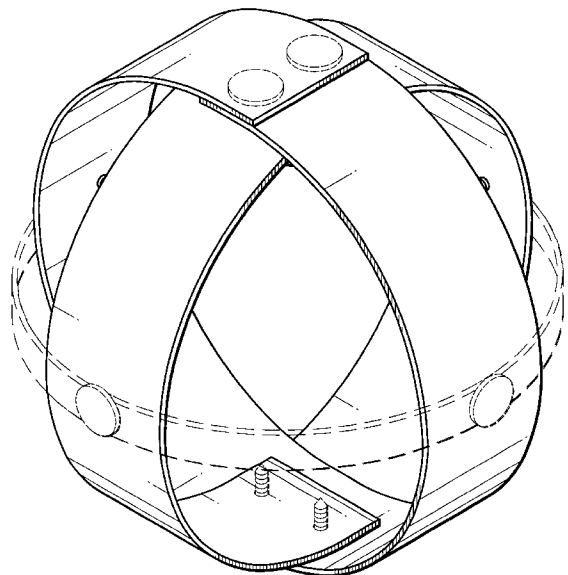
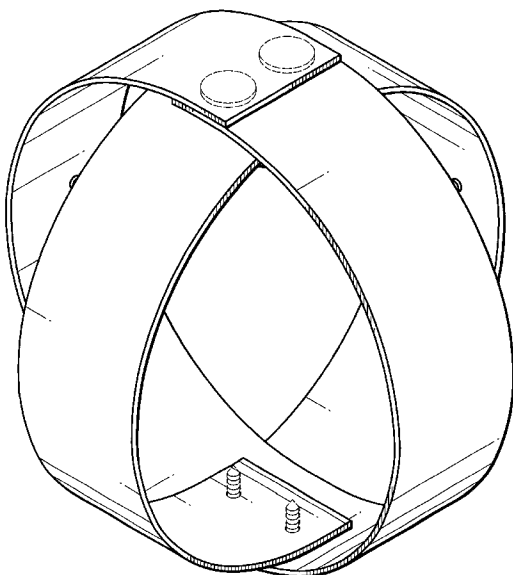
(58) **Field of Search** ..... D23/206, 207;  
220/563

(56) **References Cited**

**U.S. PATENT DOCUMENTS**

2,379,126 A	6/1945	Welden	220/63
2,860,809 A	11/1958	Perry	220/22
3,288,186 A	11/1966	Headrick	150/0.5
3,349,953 A	10/1967	Conaway et al.	220/85
3,804,292 A	4/1974	Chiti	220/88
3,979,005 A	9/1976	Robinson et al.	220/9
4,013,190 A	3/1977	Wiggins et al.	220/22
4,550,848 A	11/1985	Sucato	220/22
4,796,773 A	1/1989	Gerhard	220/22
4,858,778 A	8/1989	Patrick	220/5 A
4,927,045 A	5/1990	Lichka	220/88
5,890,618 A *	4/1999	Spickelmire	220/563
6,062,417 A	5/2000	Evans	220/563

**1 Claim, 14 Drawing Sheets**



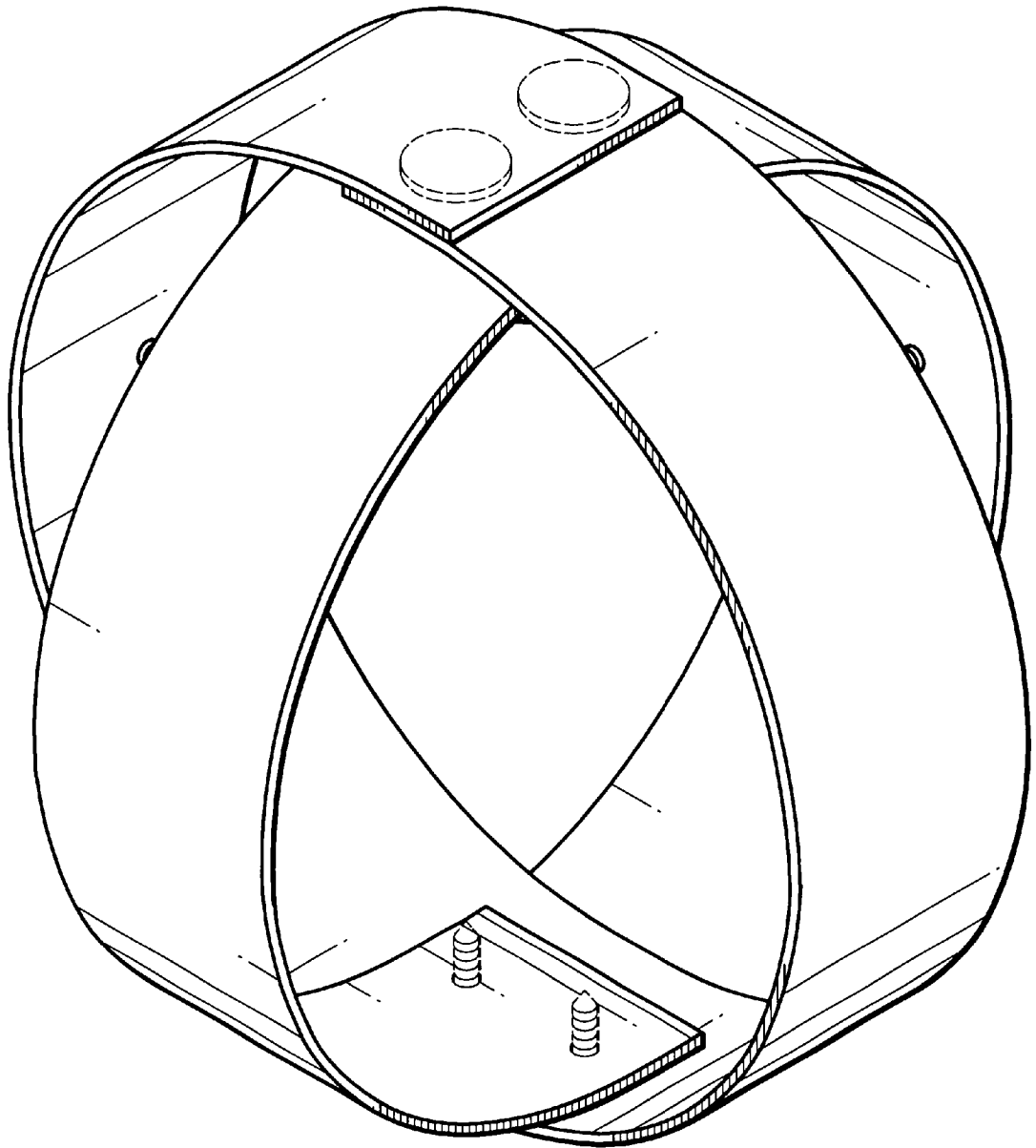
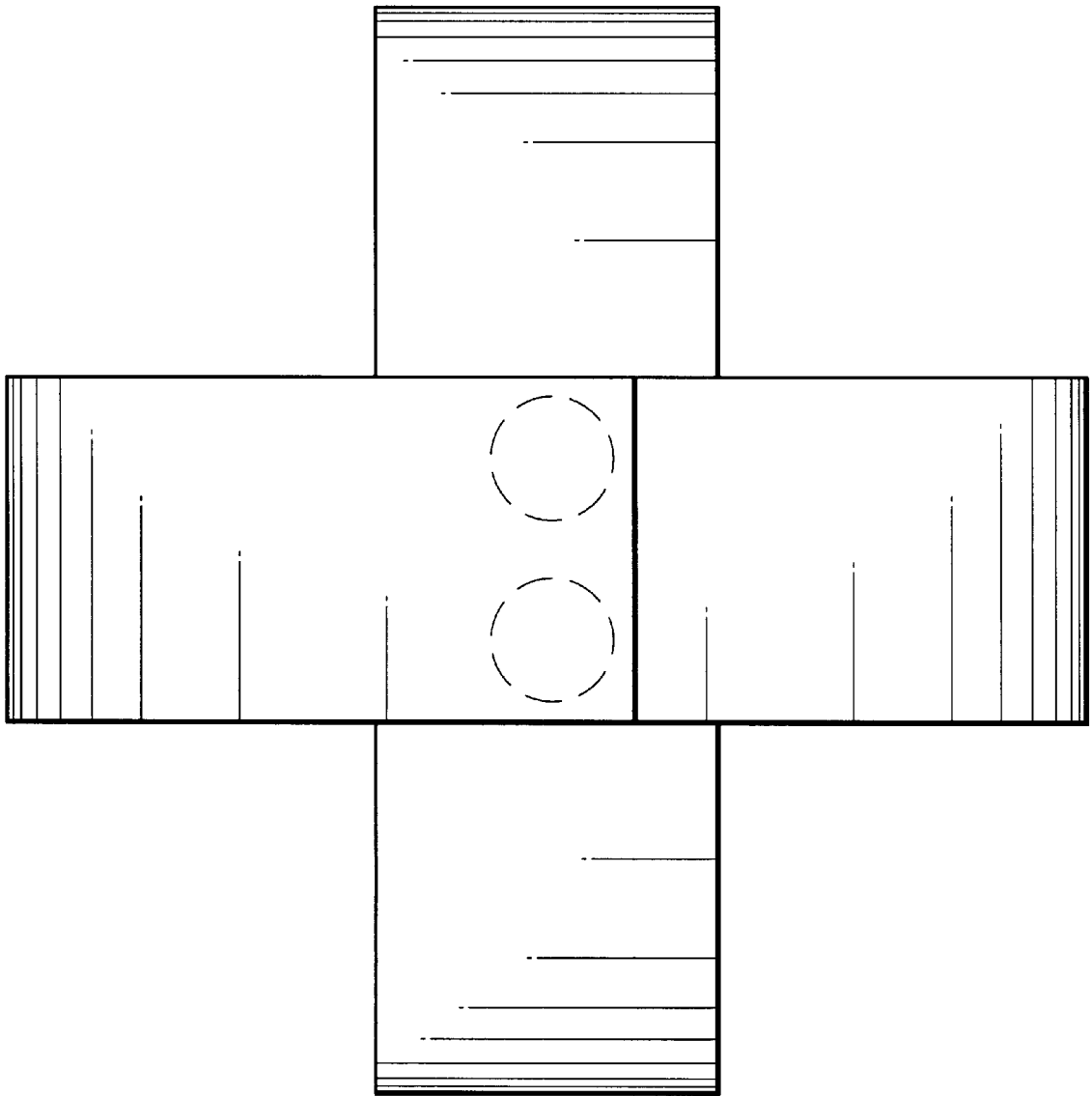
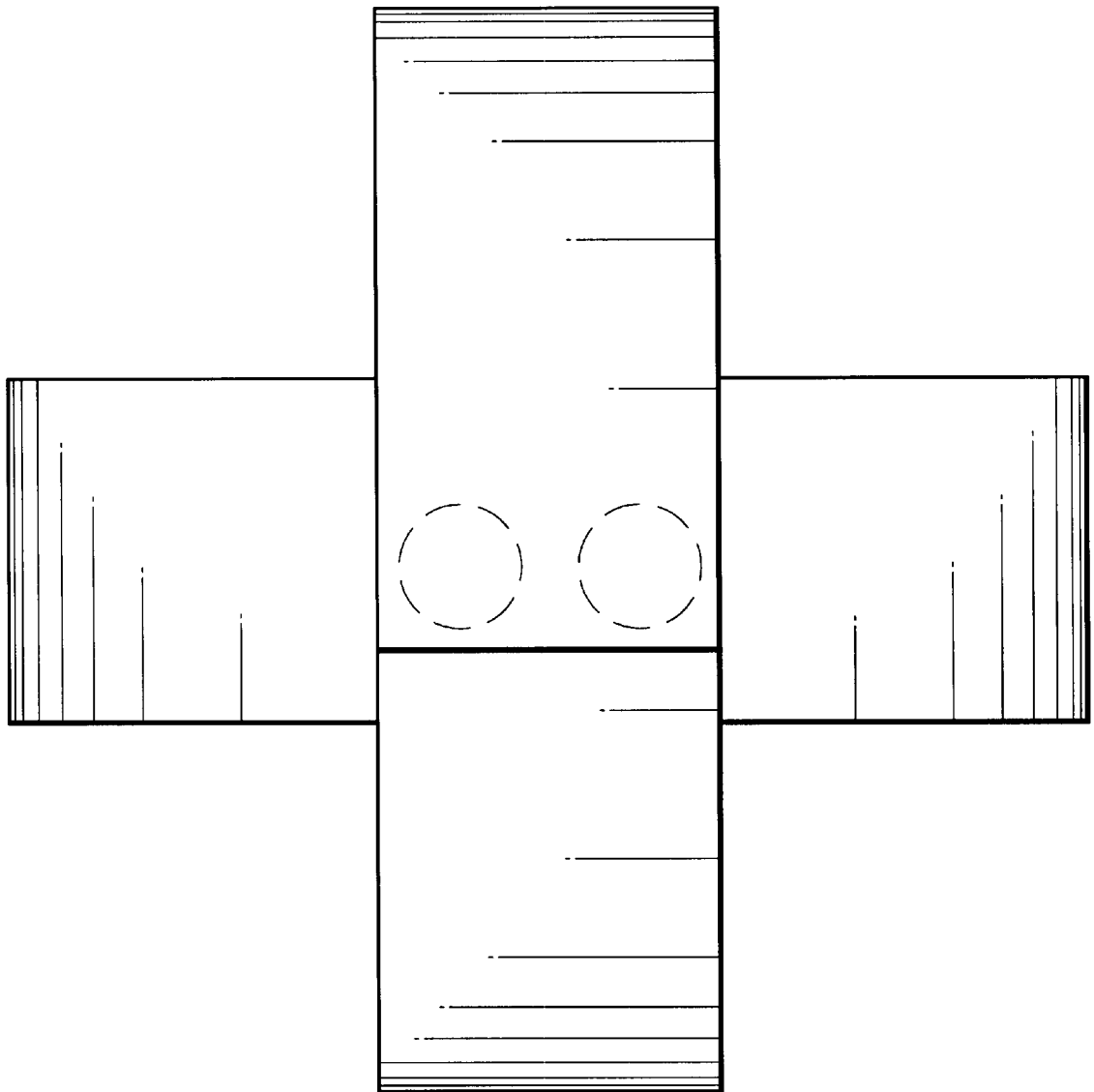


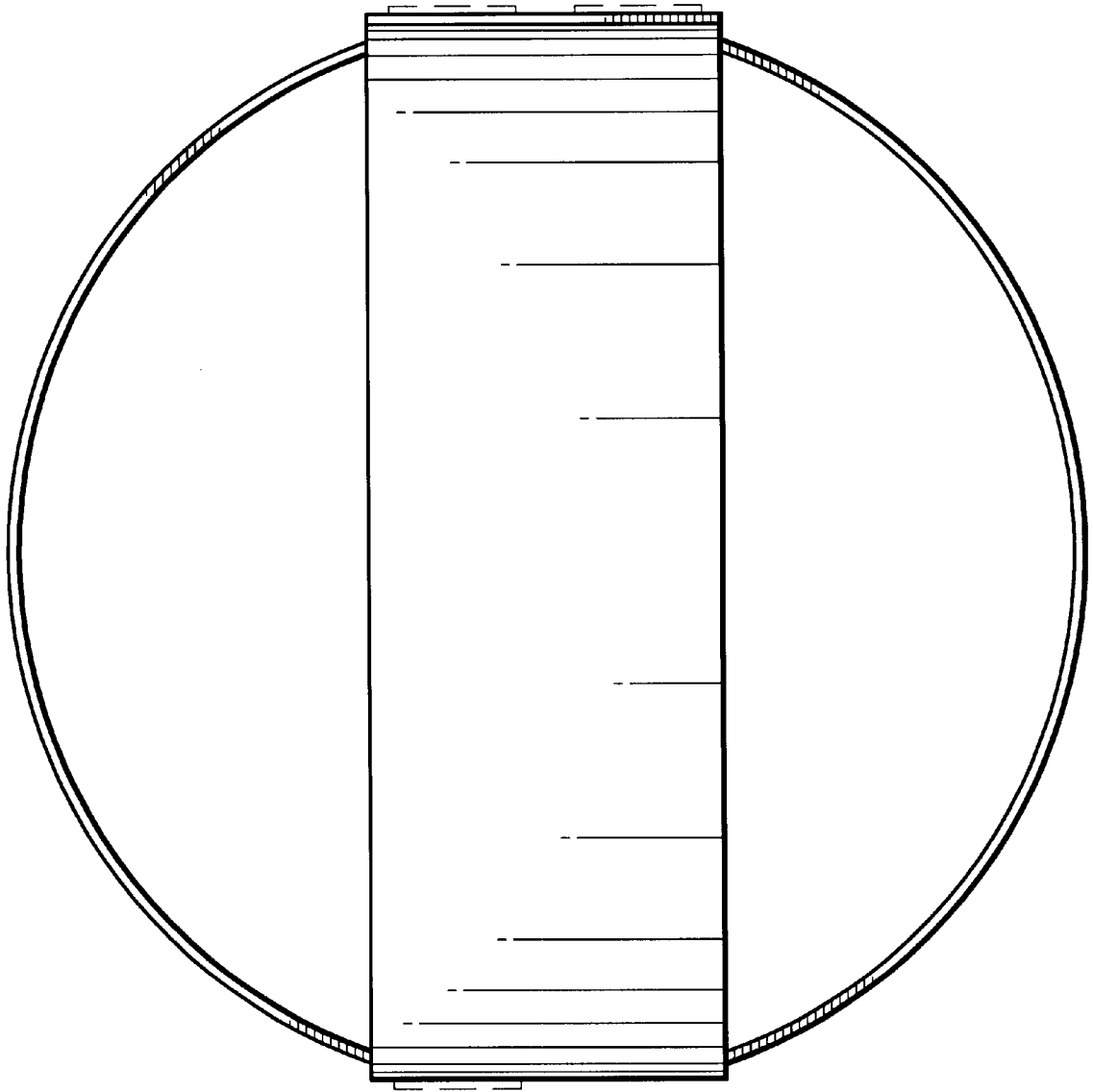
FIG. 1



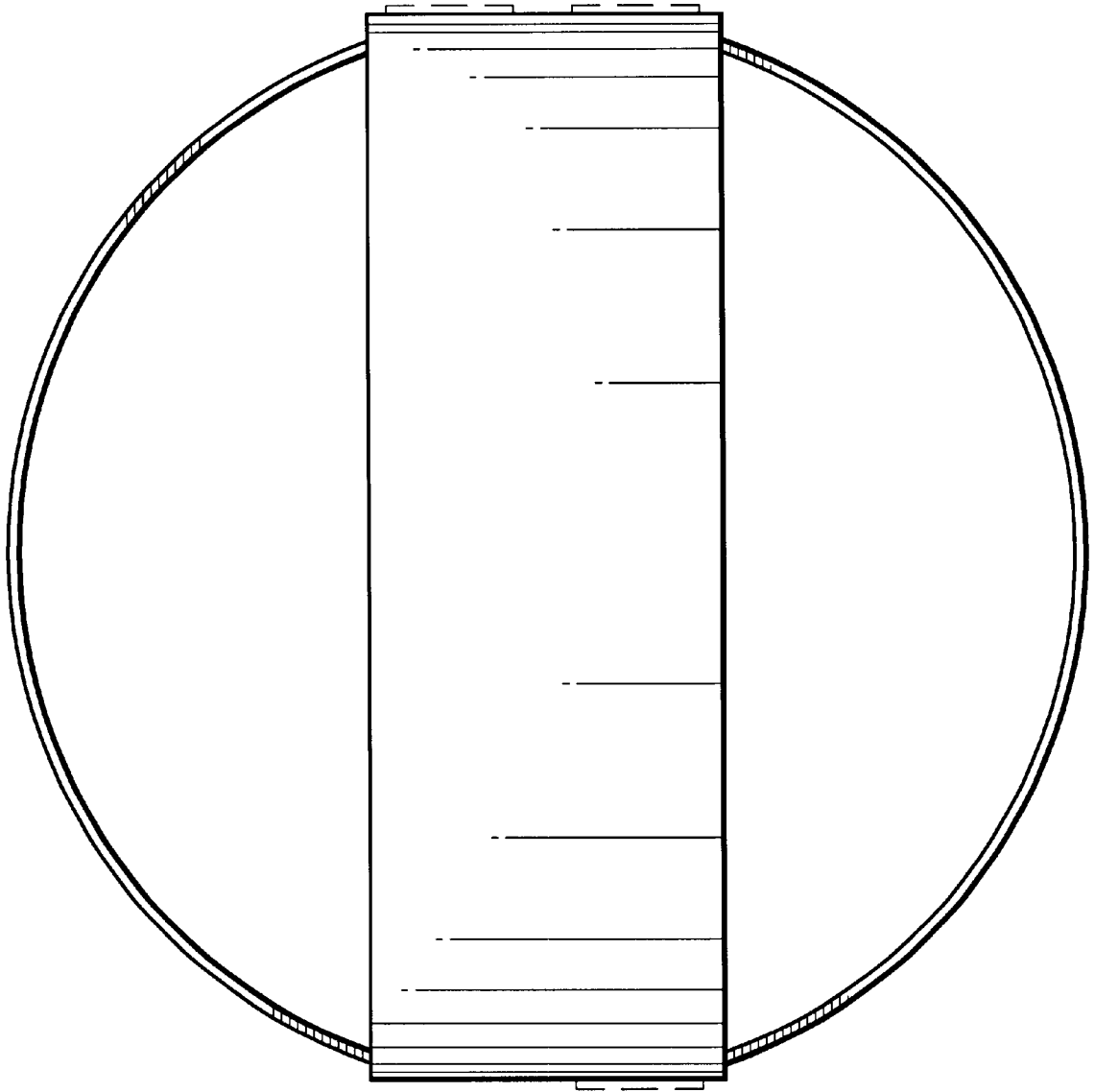
*Fig. 2*



*FIG. 3*



*Fig. 4*



*FIG. 5*

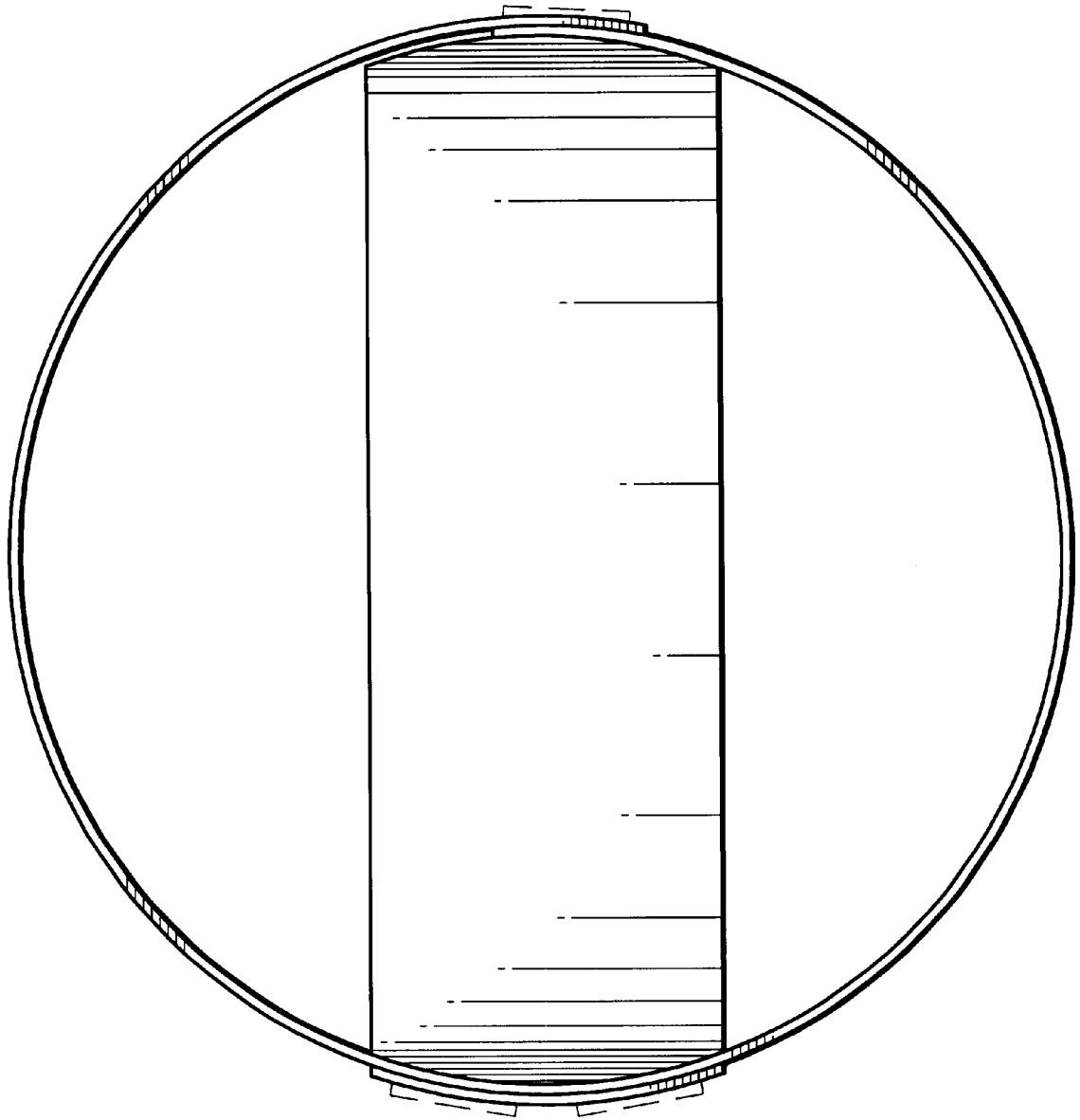
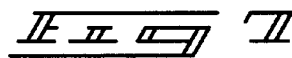
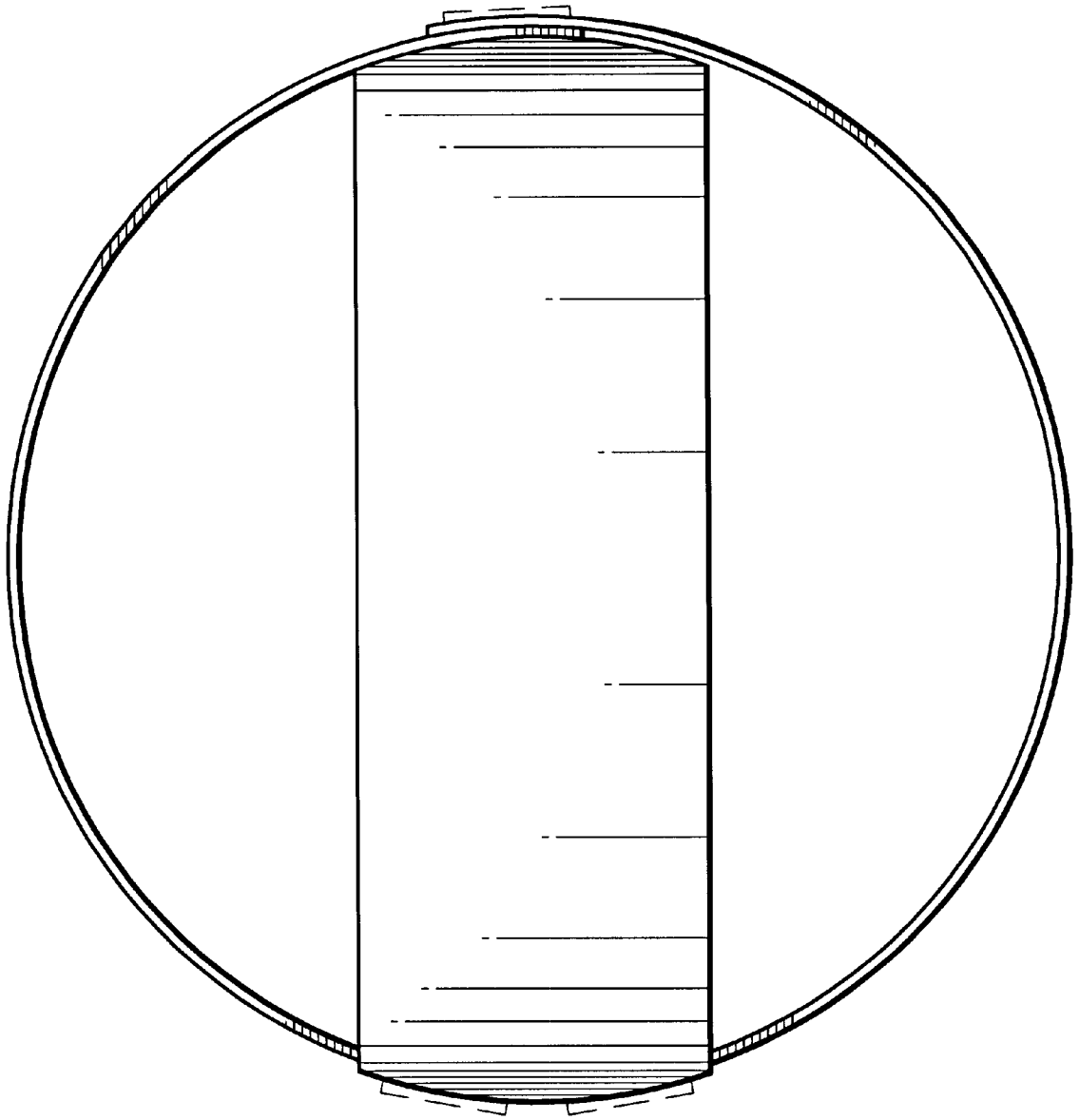
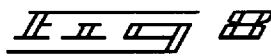
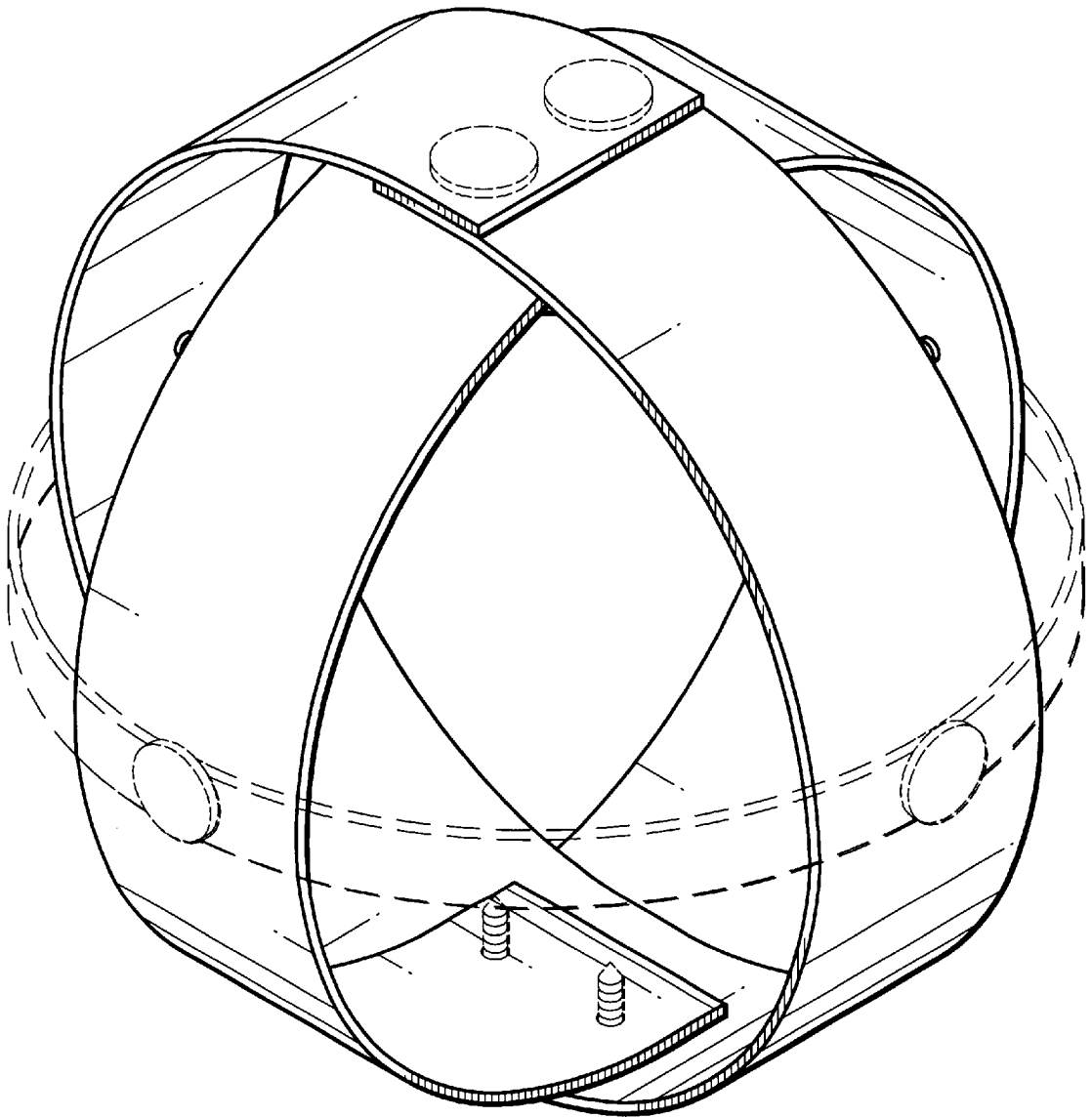


FIG. 6





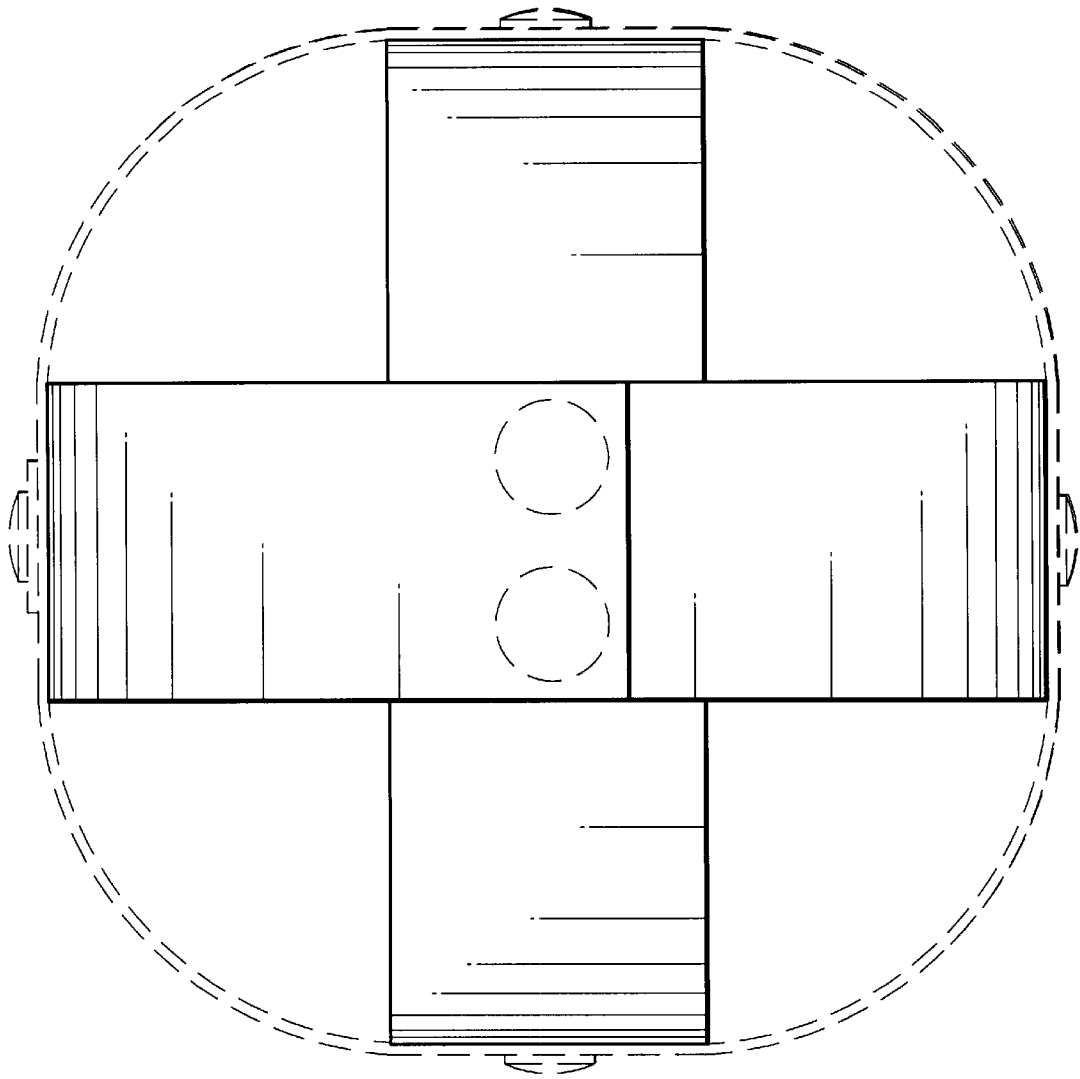
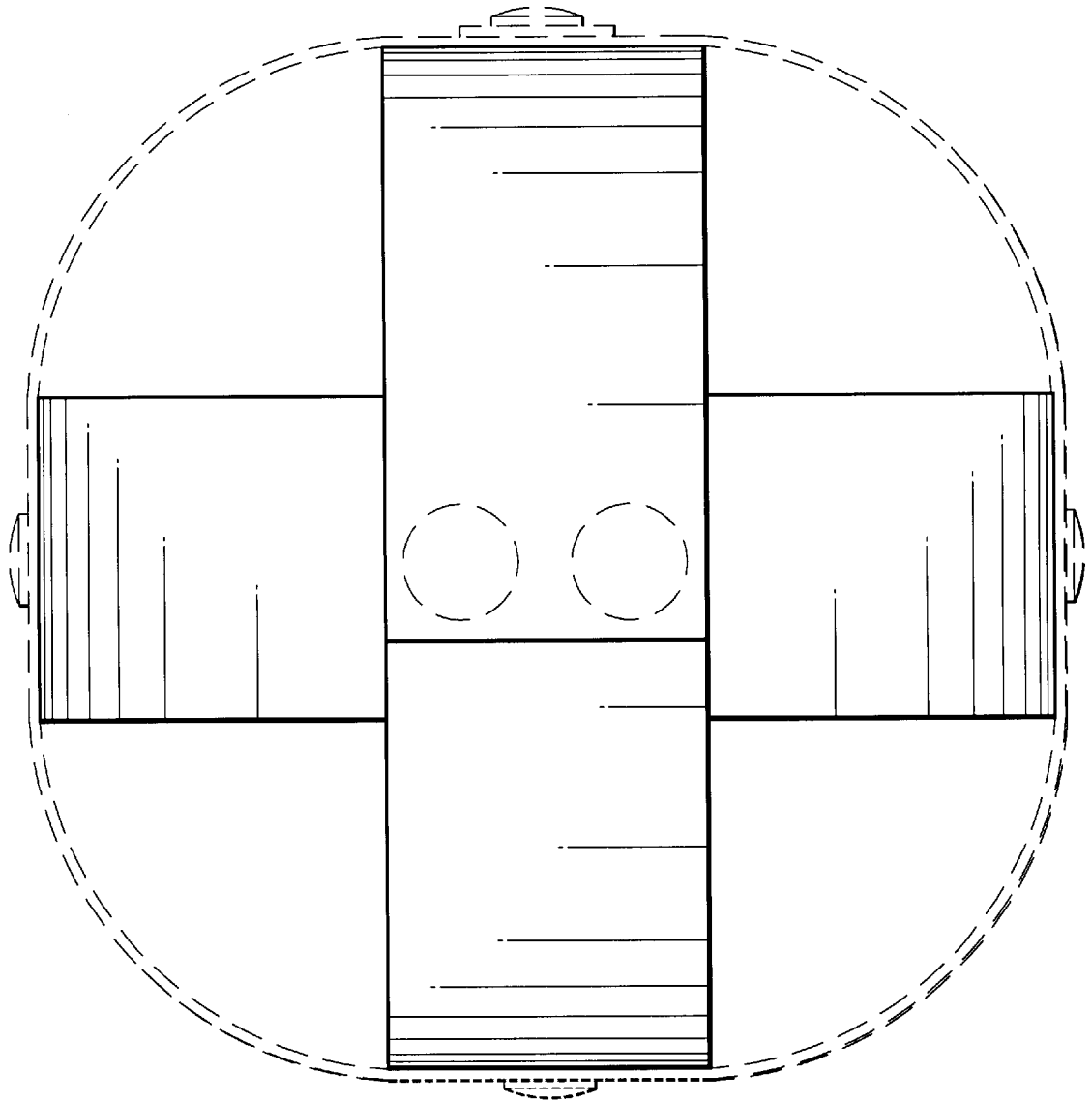


FIG. 9



*FIG. 10*

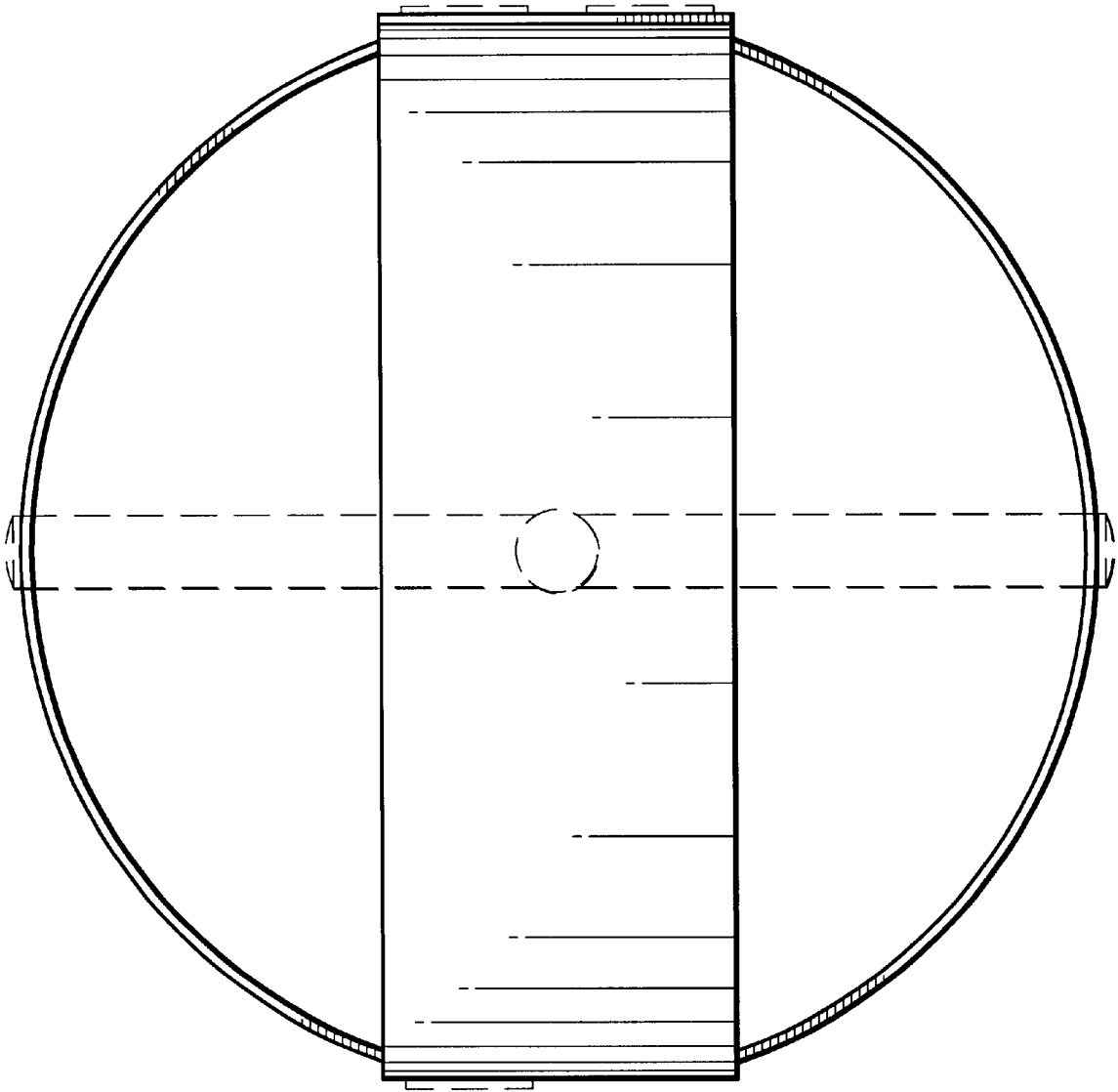
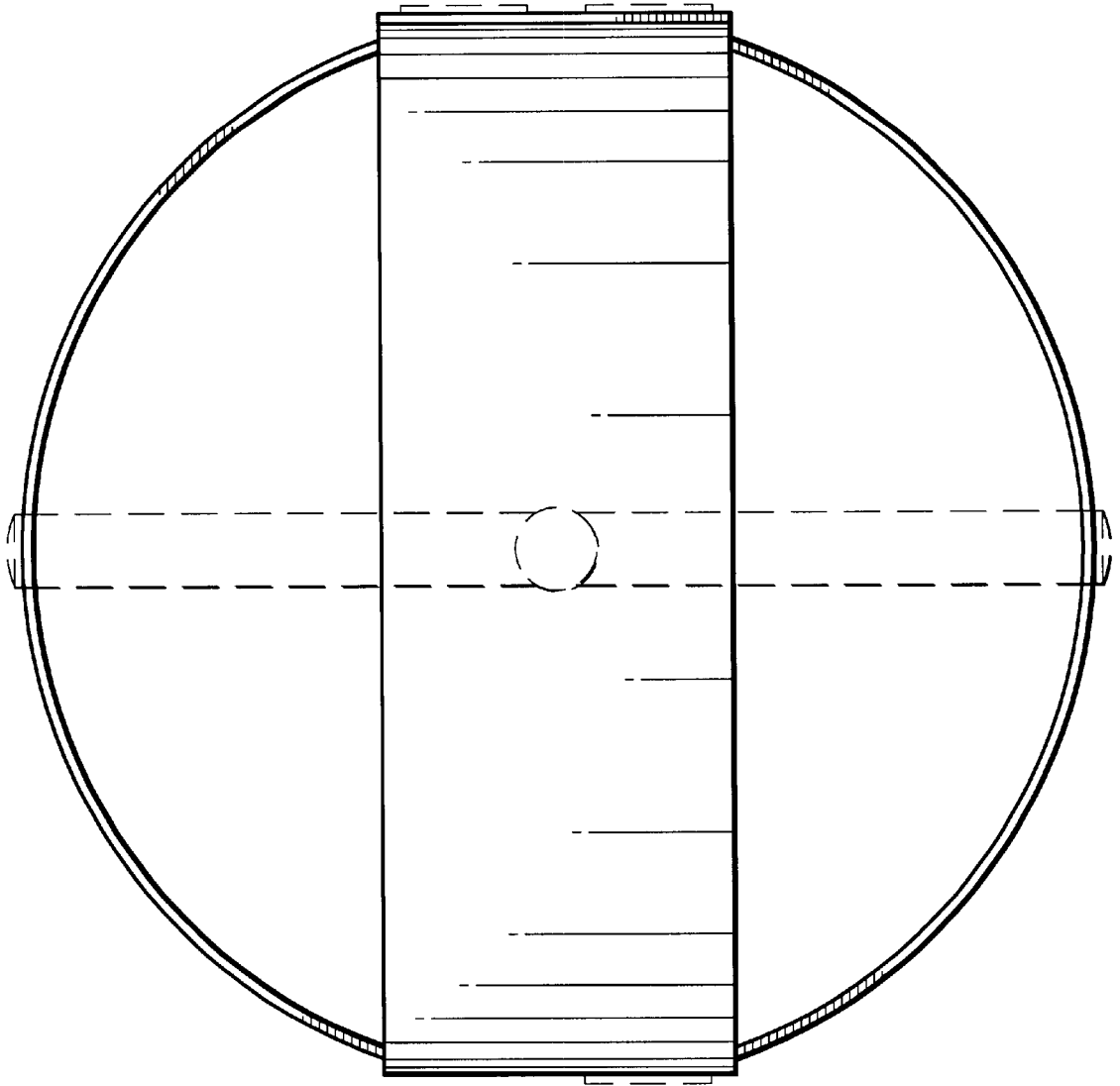
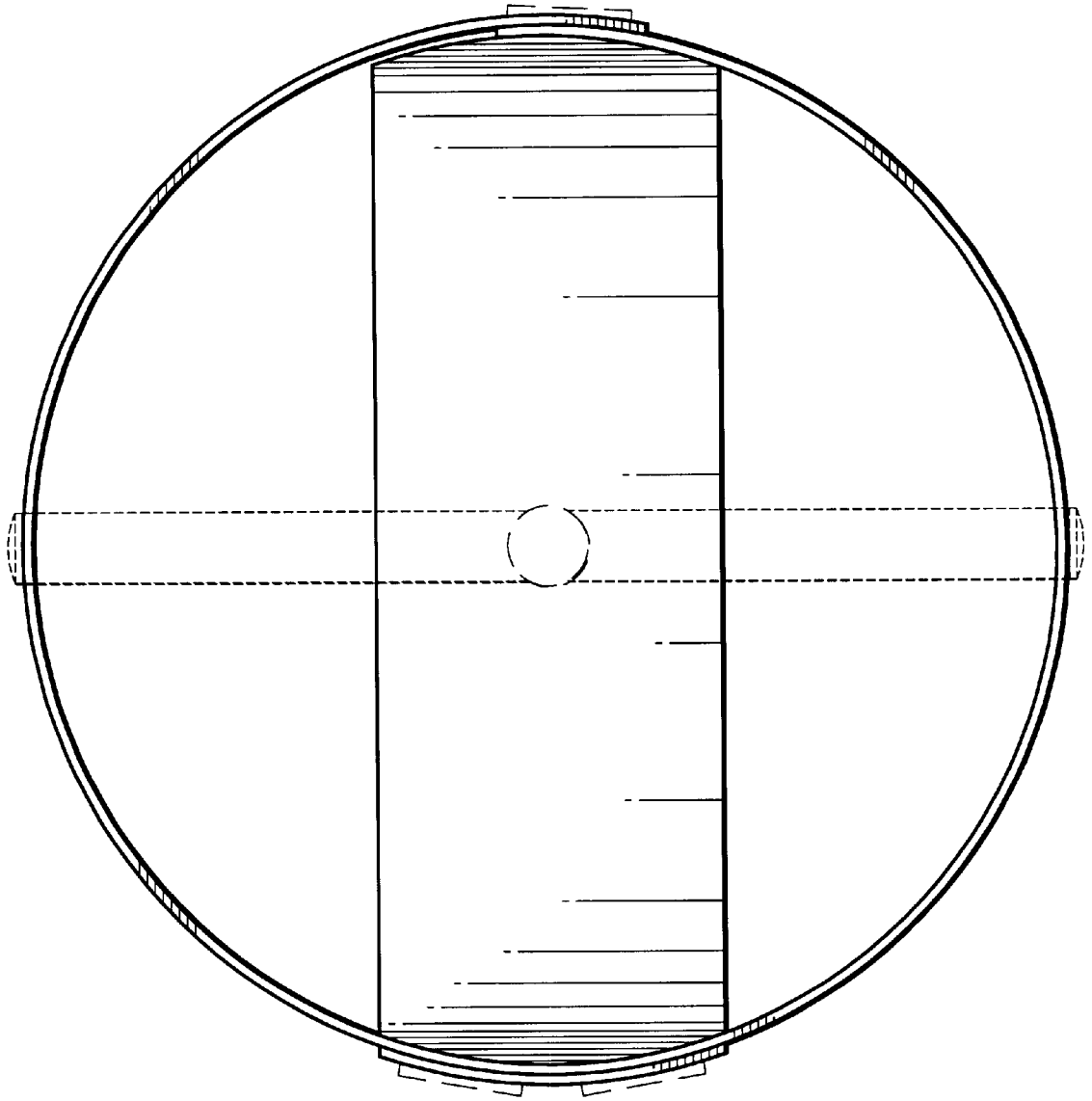


FIG. 11



*FIG. 12*



*FIG. 13*

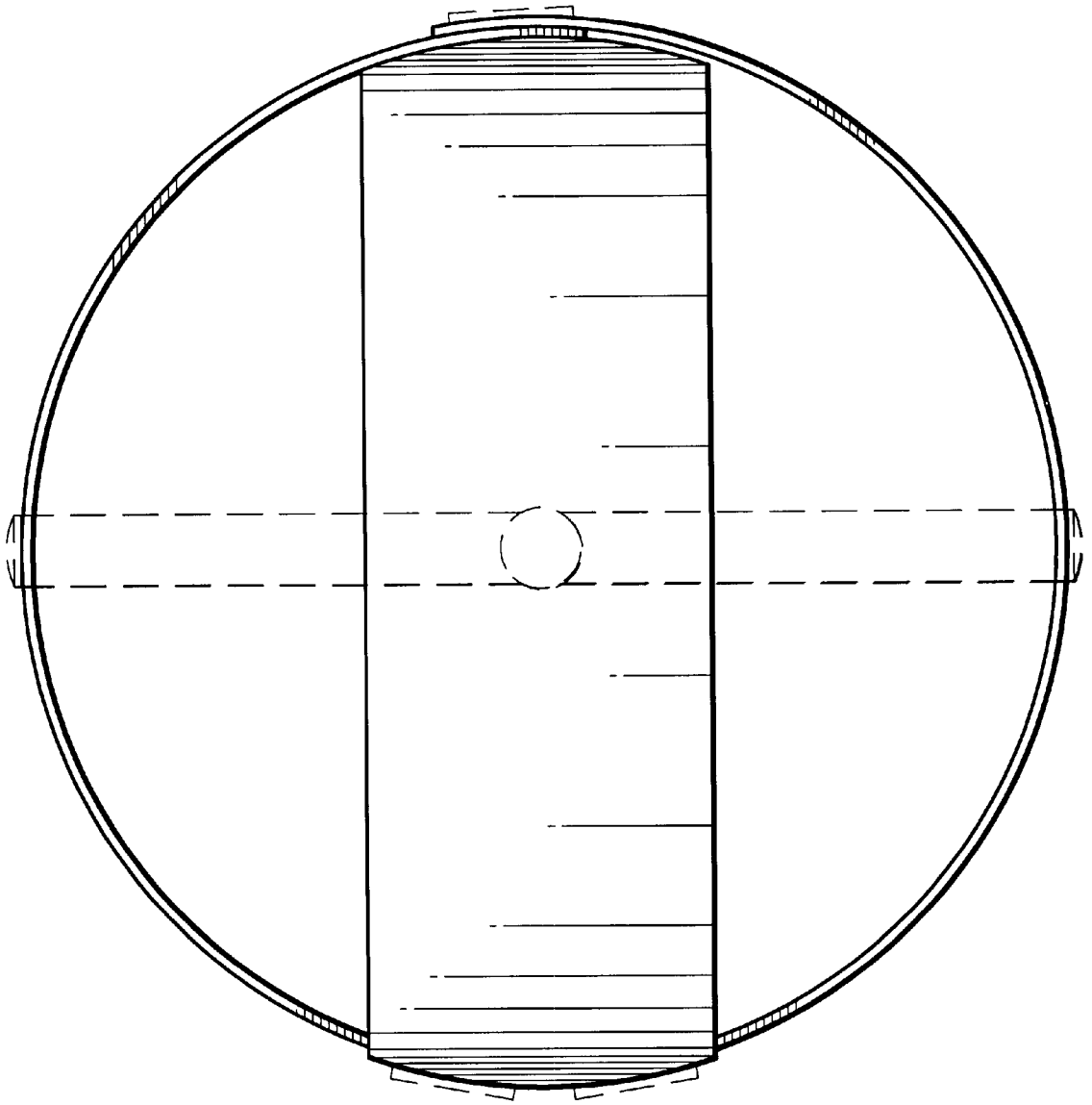


FIG. 14