



US00D713870S

(12) **United States Design Patent**
Li

(10) **Patent No.:** **US D713,870 S**

(45) **Date of Patent:** **** Sep. 23, 2014**

(54) **LENS**

(71) Applicants: **Sintai Optical (Shenzhen) Co., Ltd.**,
Shenzhen (CN); **Asia Optical**
International Ltd., Tortola (GB)

(72) Inventor: **Gui-Feng Li**, Shenzhen (CN)

(73) Assignees: **Sintai Optical (Shenzhen) Co., Ltd.**,
Shenzhen, Guangdong Province (CN);
Asia Optical International Ltd., Tortola
(VG)

(**) Term: **14 Years**

(21) Appl. No.: **29/477,689**

(22) Filed: **Dec. 26, 2013**

(51) **LOC (10) Cl.** **16-05**

(52) **U.S. Cl.**
USPC **D16/219**

(58) **Field of Classification Search**
USPC D16/134, 136, 200, 218, 219; 359/819,
359/827, 828; 396/529–532
See application file for complete search history.

(56) **References Cited**

U.S. PATENT DOCUMENTS

D302,984 S * 8/1989 Kimura et al. D16/134

D566,158 S * 4/2008 Yasutomi D16/219
D664,583 S * 7/2012 Asano et al. D16/219
8,308,380 B2 * 11/2012 Youn 396/531
D682,341 S * 5/2013 Ono et al. D16/219
D683,381 S * 5/2013 Asano
D696,709 S * 12/2013 Sato D16/219

* cited by examiner

Primary Examiner — Adir Aronovich

(74) *Attorney, Agent, or Firm* — McClure, Qualey &
Rodack, LLP

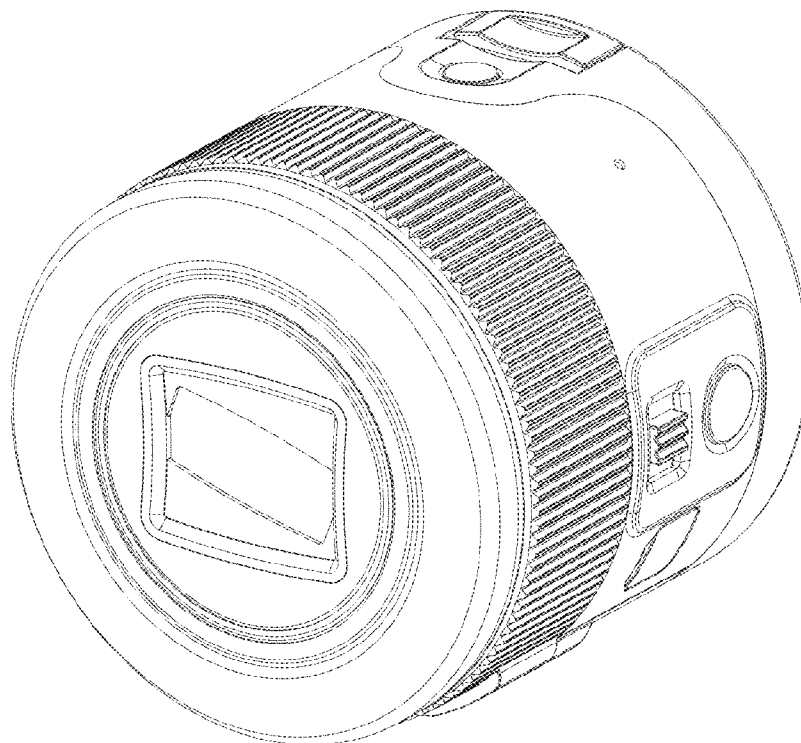
(57) **CLAIM**

The ornamental design for a lens, as shown and described.

DESCRIPTION

FIG. 1 is a front elevational view of a lens showing my new design;
FIG. 2 is a rear elevational view thereof;
FIG. 3 is a left side elevational view thereof;
FIG. 4 is a right side elevational view thereof;
FIG. 5 is a top plan view thereof;
FIG. 6 is a bottom plan view thereof; and,
FIG. 7 is a perspective view thereof.

1 Claim, 4 Drawing Sheets



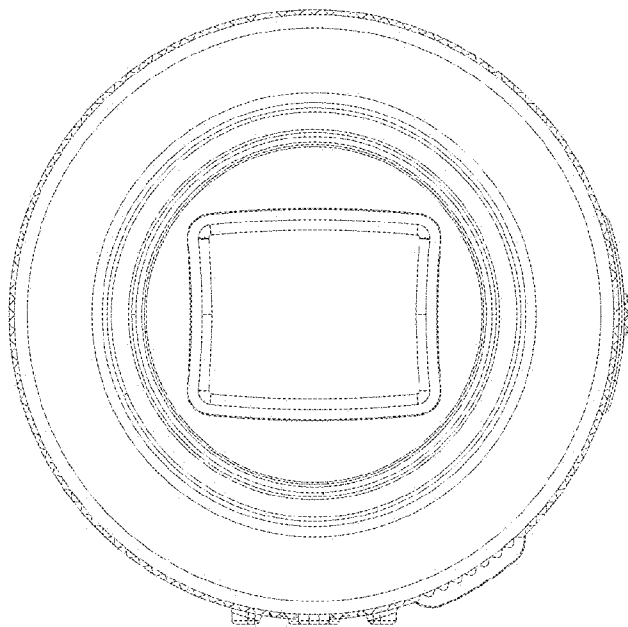


Fig. 1

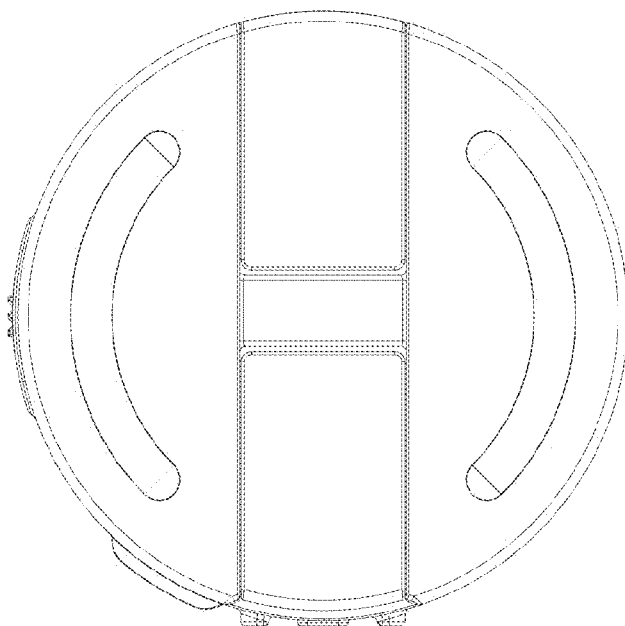


Fig. 2

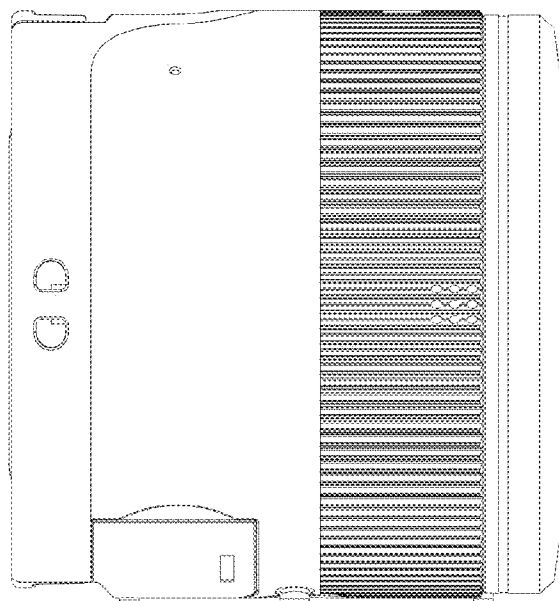


Fig. 3

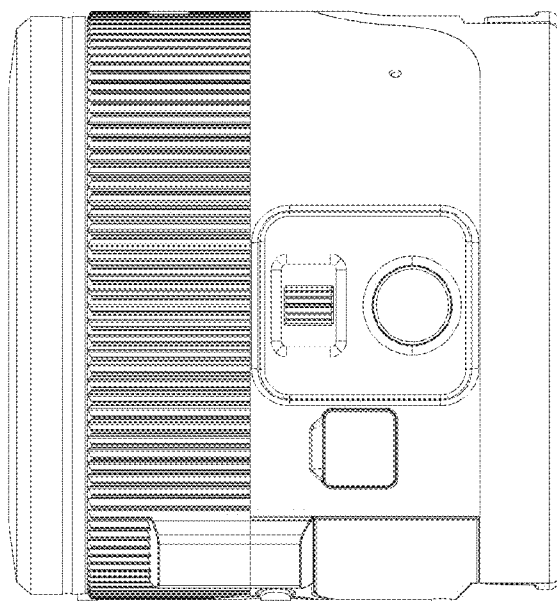


Fig. 4

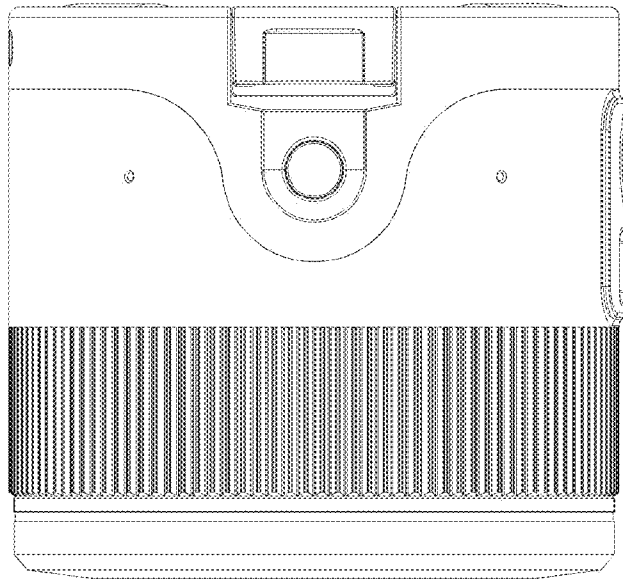


Fig. 5

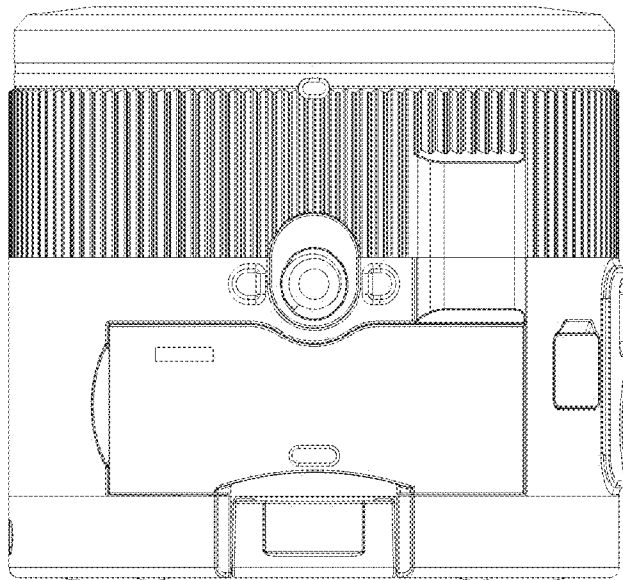


Fig. 6

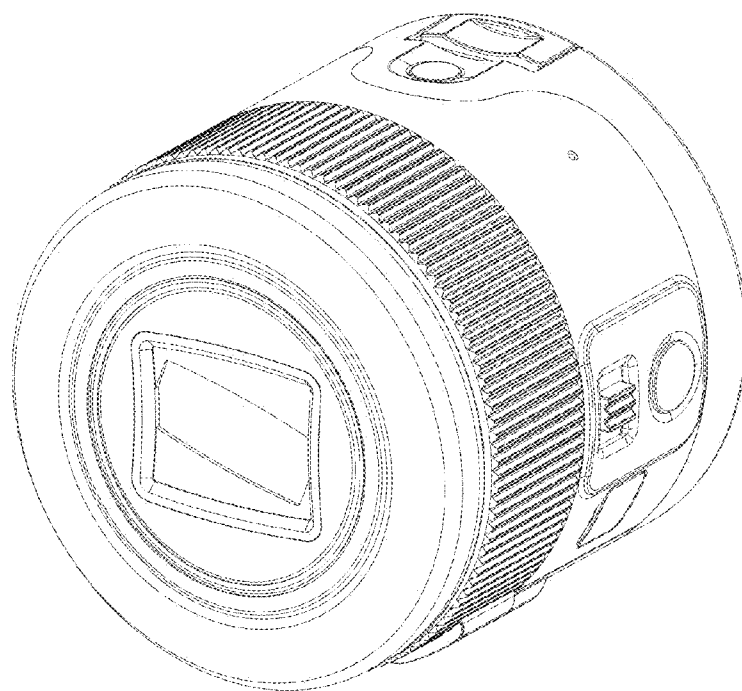


Fig. 7