

(19) World Intellectual Property Organization
International Bureau



(43) International Publication Date
12 February 2004 (12.02.2004)

PCT

(10) International Publication Number
WO 2004/013492 A3

(51) International Patent Classification⁷: B01F 5/12, 7/00

(21) International Application Number:

PCT/US2003/024182

(22) International Filing Date: 1 August 2003 (01.08.2003)

(25) Filing Language:

English

(26) Publication Language:

English

(30) Priority Data:

10/211,941

2 August 2002 (02.08.2002)

US

(71) Applicant (for all designated States except US): FIVE STAR TECHNOLOGIES, INC. [US/US]; 21200 Aerospace Parkway, Cleveland, OH 44142 (US).

(72) Inventor; and

(75) Inventor/Applicant (for US only): KOZYUK, Oleg, V. [UA/US]; 27688 Westchester Pkwy., Apt. A, Westlake, OH 44145 (US).

(74) Agent: KOLOCOURIS, Gregory, S.; Benesch, Friedlander, Coplan & Aronoff LLP, 2300 BP Tower, 200 Public Square, Cleveland, OH 44114 (US).

(81) Designated States (national): AE, AG, AL, AM, AT, AU, AZ, BA, BB, BG, BR, BY, BZ, CA, CH, CN, CO, CR, CU, CZ, DE, DK, DM, DZ, EC, EE, ES, FI, GB, GD, GE, GH, GM, HR, HU, ID, IL, IN, IS, JP, KE, KG, KP, KR, KZ, LC, LK, LR, LS, LT, LU, LV, MA, MD, MG, MK, MN, MW, MX, MZ, NO, NZ, PL, PT, RO, RU, SD, SE, SG, SK, SL, TJ, TM, TR, TT, TZ, UA, UG, US, UZ, VN, YU, ZA, ZW.

(84) Designated States (regional): ARIPO patent (GH, GM, KE, LS, MW, MZ, SD, SL, SZ, TZ, UG, ZM, ZW), Eurasian patent (AM, AZ, BY, KG, KZ, MD, RU, TJ, TM), European patent (AT, BE, BG, CH, CY, CZ, DE, DK, EE, ES, FI, FR, GB, GR, HU, IE, IT, LU, MC, NL, PT, RO, SE, SI, SK, TR), OAPI patent (BF, BJ, CF, CG, CI, CM, GA, GN, GQ, GW, ML, MR, NE, SN, TD, TG).

Published:

— with international search report

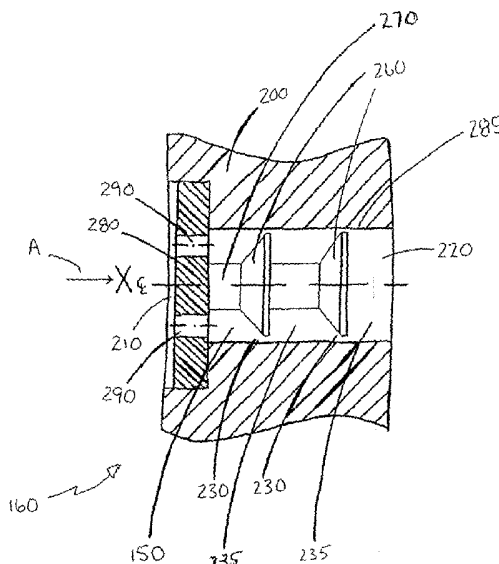
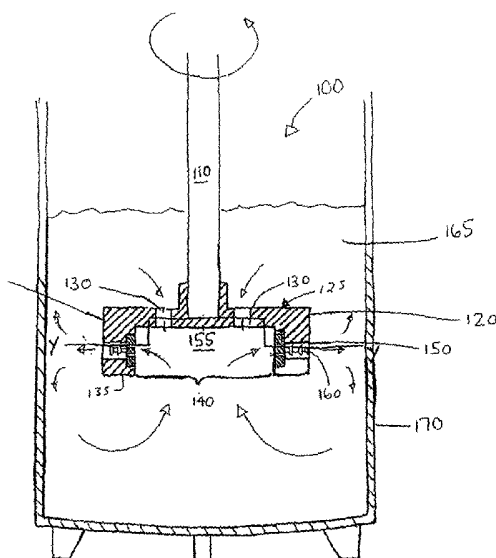
— before the expiration of the time limit for amending the claims and to be republished in the event of receipt of amendments

(88) Date of publication of the international search report:

27 May 2004

For two-letter codes and other abbreviations, refer to the "Guidance Notes on Codes and Abbreviations" appearing at the beginning of each regular issue of the PCT Gazette.

(54) Title: DEVICES FOR CAVITATIONAL MIXING AND PUMPING AND METHODS OF USING SAME



(57) Abstract: The present invention provides for a cavitation mixing and/or pumping device and method including a body having a base portion (125) and a peripheral wall (145) extending from the base portion and defining an inlet space (155) therebetween. Additionally, the base portion includes at least one inlet port (130) disposed therein that is in fluid communication with the inlet space. The peripheral wall includes an outlet channel disposed therein that is in fluid communication with the inlet space. A cavitation assembly is disposed within the outlet channel (150). Alternatively, a plurality of cavitation assemblies may be disposed within the outlet channel.

WO 2004/013492 A3

INTERNATIONAL SEARCH REPORT

International application No.

PCT/US03/24182

A. CLASSIFICATION OF SUBJECT MATTER
 IPC(7) : B01F 5/12, 7/00
 US CL : 366/262, 265
 According to International Patent Classification (IPC) or to both national classification and IPC

B. FIELDS SEARCHED
 Minimum documentation searched (classification system followed by classification symbols)
 U.S. : 366/262, 265, 263, 336

Documentation searched other than minimum documentation to the extent that such documents are included in the fields searched

Electronic data base consulted during the international search (name of data base and, where practicable, search terms used)

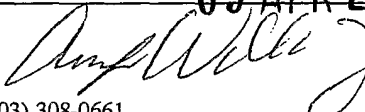
C. DOCUMENTS CONSIDERED TO BE RELEVANT

Category *	Citation of document, with indication, where appropriate, of the relevant passages	Relevant to claim No.
X	GB 2308076 A (TECEXEC LIMITED) 18 June 1997 (18.06.1997), see entire document.	1-18

Further documents are listed in the continuation of Box C. See patent family annex.

* Special categories of cited documents:	
"A" document defining the general state of the art which is not considered to be of particular relevance	"T" later document published after the international filing date or priority date and not in conflict with the application but cited to understand the principle or theory underlying the invention
"E" earlier application or patent published on or after the international filing date	"X" document of particular relevance; the claimed invention cannot be considered novel or cannot be considered to involve an inventive step when the document is taken alone
"L" document which may throw doubts on priority claim(s) or which is cited to establish the publication date of another citation or other special reason (as specified)	"Y" document of particular relevance; the claimed invention cannot be considered to involve an inventive step when the document is combined with one or more other such documents, such combination being obvious to a person skilled in the art
"O" document referring to an oral disclosure, use, exhibition or other means	"&" document member of the same patent family
"P" document published prior to the international filing date but later than the priority date claimed	

Date of the actual completion of the international search 03 March 2004 (03.03.2004)	Date of mailing of the international search report 09 APR 2004
---	--

Name and mailing address of the ISA/US Mail Stop PCT, Attn: ISA/US Commissioner for Patents P.O. Box 1450 Alexandria, Virginia 22313-1450 Facsimile No. (703) 305-3230	Authorized officer Tony G Soohoo  Telephone No. (703) 308-0661
---	--