

(19) World Intellectual Property
Organization
International Bureau



(43) International Publication Date
10 February 2005 (10.02.2005)

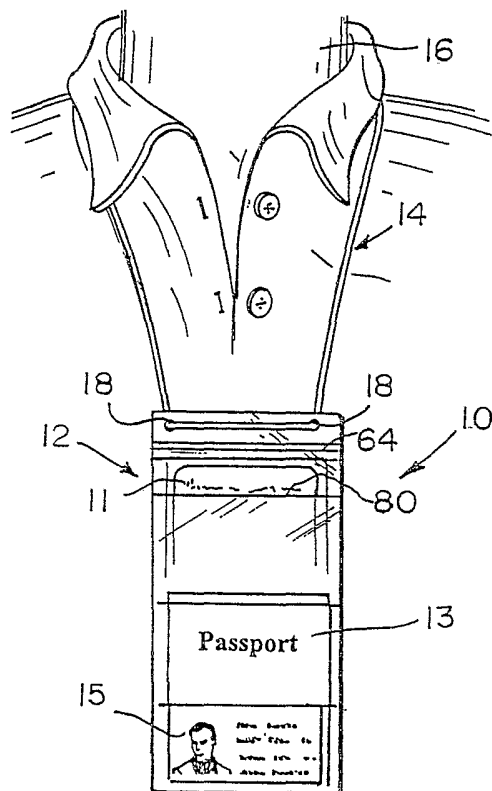
PCT

(10) International Publication Number
WO 2005/012000 A2

- (51) International Patent Classification⁷: **B42F**
- (21) International Application Number:
PCT/US2004/024618
- (22) International Filing Date: 30 July 2004 (30.07.2004)
- (25) Filing Language: English
- (26) Publication Language: English
- (30) Priority Data:
60/491,372 31 July 2003 (31.07.2003) US
10/902,313 29 July 2004 (29.07.2004) US
- (71) Applicant and
- (72) Inventor: **ANDERSON, Carl, B.** [US/US]; 10693 Brixton Lane, Fishers, IN 46038 (US).
- (74) Agent: **STEWART, Carli, E.**; Barnes & Thornburg LLP, 11 South Meridian Street, Indianapolis, IN 46204 (US).
- (81) Designated States (unless otherwise indicated, for every kind of national protection available): AE, AG, AL, AM, AT, AU, AZ, BA, BB, BG, BR, BW, BY, BZ, CA, CH, CN, CO, CR, CU, CZ, DE, DK, DM, DZ, EC, EE, EG, ES, FI, GB, GD, GE, GH, GM, HR, HU, ID, IL, IN, IS, JP, KE, KG, KP, KR, KZ, LC, LK, LR, LS, LT, LU, LV, MA, MD, MG, MK, MN, MW, MX, MZ, NA, NI, NO, NZ, OM, PG, PH, PL, PT, RO, RU, SC, SD, SE, SG, SK, SL, SY, TJ, TM, TN, TR, TT, TZ, UA, UG, US, UZ, VC, VN, YU, ZA, ZM, ZW.
- (84) Designated States (unless otherwise indicated, for every kind of regional protection available): ARIPO (BW, GH, GM, KE, LS, MW, MZ, NA, SD, SL, SZ, TZ, UG, ZM, ZW), Eurasian (AM, AZ, BY, KG, KZ, MD, RU, TJ, TM), European (AT, BE, BG, CH, CY, CZ, DE, DK, EE, ES, FI, FR, GB, GR, HU, IE, IT, LU, MC, NL, PL, PT, RO, SE, SI, SK, TR), OAPI (BF, BJ, CF, CG, CI, CM, GA, GN, GQ, GW, ML, MR, NE, SN, TD, TG).

[Continued on next page]

(54) Title: DOCUMENT HOLDER FOR IDENTIFICATION



(57) Abstract: A document holder (10) carried by a person to display various identification documents (11, 13, 15) includes a compartment portion (12) and a coupling portion (14) coupled to the compartment portion (12) and adapted to be coupled to the person. The compartment portion (12) includes a plurality of sheets (20, 22, 24, 26) defining a plurality of compartments (60, 94, 114) of different sizes.

WO 2005/012000 A2



Published:

— without international search report and to be republished upon receipt of that report

For two-letter codes and other abbreviations, refer to the "Guidance Notes on Codes and Abbreviations" appearing at the beginning of each regular issue of the PCT Gazette.

DOCUMENT HOLDER FOR IDENTIFICATION

This application claims priority under 35 U.S.C. § 119(e) to U.S. Provisional Application Serial No. 60/491,372, filed on July 31, 2003 and U.S. Utility Patent Application Serial No. XX/XXX,XXX entitled "Document Holder for
5 Identification" which was filed on July 29, 2004, the entireties of which are expressly incorporated by reference herein.

FIELD OF THE DISCLOSURE

The present disclosure relates to carriers, pouches, packs, and/or
10 holders worn or carried by a user or traveler for carrying identification-type documents as well as other documents or articles therein.

BACKGROUND

Various types of carriers or pouches worn or carried by a traveler for
15 holding documents or articles therein are known. Such carriers or pouches often include one or more compartments or pockets for carrying and organizing these articles or documents. Some carriers or pouches may also include a fastener such as a strap, belt, cord, or clip, for example, to permit the pouch to be secured to the user or traveler. Such carriers are disclosed in the following U.S. patents: 4,815,510;
20 4,998,653; 5,337,936; 5,678,620; and 6,209,769, the disclosure of each of which is expressly incorporated by reference herein.

SUMMARY

The present invention comprises one or more of the features recited in
25 the appended claims or one or more of the following features or combinations thereof.

A document holder carried by a person to display various identification documents includes a compartment portion having a plurality of compartments and a coupling portion coupled to the compartment portion and adapted to be coupled to the person. The document holder may include, for example, a first compartment, a
30 second compartment, and a third compartment aligned with each other and stacked on

-2-

top of each other. Each compartment may be a different size in order to carry documents or other articles of different sizes therein.

The compartment portion may include first, second, third, and fourth sheets such that the first and second sheets are coupled to each other to define the first
5 compartment, the second and third sheets are coupled to each other to define the second compartment, and the third and fourth sheets are coupled to each other to define the third compartment. Illustratively, each sheet may have a width of approximately 4.6 inches (11.68 cm). The first sheet may have a length of approximately 10.25 inches (26.04 cm), the second sheet may have a length of
10 approximately 7.5 inches (19.05 cm), the third sheet may have a length of approximately 5.1 inches (12.95 cm), and the fourth sheet may have a length of approximately 2.0 inches (5.08 cm).

Each sheet includes opposite side edges and top and bottom edges such that the sheets are secured to one another along the respective opposite and bottom
15 edges.

One or more of the compartments may be resealably closed. One or more sheets defining each compartment may be made of a flexible material. Illustratively, the flexible material may be a plastic material and may be transparent to allow the user and others to be able to view identification documents within the
20 compartments without forcing the user to remove the documents from within the compartment.

The coupling portion of the document holder may include a string or cord adapted to be draped around a neck of the person. The coupling portion may also include a buckle, strap, alligator clip, or other fastener. The compartment portion
25 of the document holder may include one or more apertures such that the coupling portion is threaded through the one or more apertures.

The compartment portion of the document holder may also include a slot adapted to receive a button of a shirt of the person therethrough to secure the compartment portion to the shirt.

30

Features of the disclosure will become apparent to those skilled in the art upon consideration of the following detailed description of preferred embodiments exemplifying the best mode of carrying out the disclosure as presently perceived.

5 BRIEF DESCRIPTION OF THE DRAWINGS

The detailed description particularly refers to the accompany figures in which:

Fig. 1 is a front view of a document holder showing the document holder draped around the neck of a wearer and including multiple compartments for
10 holding such identification documents as a birth certificate, an airline ticket, a passport, and/or a driver's license, for example;

Fig. 2 is an exploded perspective view of a compartment portion of the document holder showing four layers or sheets of the compartment holder which, when coupled to each other, form the various compartments or pouches provided for
15 holding various identification documents;

Fig. 3 is a front view of the compartment portion of the document holder; and

Fig. 4 is a sectional view taken along line 4-4 of Fig. 3.

20 DETAILED DESCRIPTION OF THE DRAWINGS

A document holder 10 is provided for conveniently stowing and carrying various identification documents such as, for example, a birth certificate, an airline ticket and/or boarding pass 11, passport 13, and/or driver's license 15, as shown in Fig. 1. Other documents or articles may be stored within the document
25 holder 10 as well such as money, credit cards, receipts and the like. The document holder 10 further provides a means of organizing such identification documents by providing multiple compartments 60, 94, 114 of varying sizes, as shown in Fig. 4. The document holder 10 may illustratively be draped around a wearer's neck, as shown in Fig. 1, to provide a hands-free system of carrying such items that may be
30 useful to a traveler, for example. Various aspects of the document holder 10 discussed below provide the wearer with easy access to each of the particular documents stowed with the holder 10.

-4-

As shown in Fig. 1, document holder 10 includes a compartment portion 12 and a coupling portion 14 coupled to compartment portion 12. Coupling portion 14 is provided to couple the document holder 10 to the wearer. Illustrative coupling portion 14 is a string or cord for draping around the wearer's neck 16. It is also within the scope of this disclosure for the coupling portion 14 to be tied or draped around the wearer's waist, for example. Further, it is within the scope of this disclosure for the coupling portion 14 to include other such attachment devices for attaching the compartment portion 12 to the wearer including, but not limited to, an alligator clip, a strap, a buckle, or other such suitable fasteners. Coupling portion 14 is threaded through first and second apertures 18 of compartment portion 12, as further shown in Fig. 1. Coupling portion 14 may also be threaded through a slot 40 (shown in Fig. 3) of compartment portion 12. A snap (not shown) may be provided and coupled to the coupling portion 14 to allow the coupling portion 14 to be threaded through the slot 40 and/or apertures 18 and coupled or snapped to itself to attach the coupling portion 14 to the compartment portion 18. A length of coupling portion 14 may be adjustable to adjust the vertical placement of the compartment portion 12 hanging adjacent of the wearer's chest. Looking now to Figs. 2-4, the illustrative compartment portion 12 includes multiple compartment layers or sheets including a first or back layer 20, a second layer 22 adjacent and coupled to back layer 20, a third layer 24 adjacent and coupled to second layer 22, and a fourth layer 26 adjacent and coupled to third layer 22. Illustratively, first layer 20 has a length 30 of approximately 10.25 inches (26.04 cm) and a width 31 of approximately 4.6 inches (11.68 cm). Illustratively, therefore, first layer 20 is rectangular-shaped. It is within the scope of this disclosure, however, to include a first layer 20 having other suitable dimensions.

First layer or sheet 20 includes first and second opposite sides or edges 32, 34, a top side or edge 36, and a bottom side or edge 38. First layer 20 further includes two apertures 18 formed therethrough. Each aperture 18 is positioned near an upper end of first layer 20 near top side 36. Specifically, one of the apertures 18 is positioned near an upper left corner of first layer 20 near first side 32 and the other aperture 18 is positioned near an upper right corner of first layer 20 near second side 34.

A horizontal slot 40 running generally parallel to top and bottom sides 36, 38 is formed through first layer 20 and is positioned between the two apertures 18, as shown in Fig. 2, near top side 36. As will be discussed in more detail below, slot 40 is provided to receive a button therethrough such as, for example, a shirt button of the wearer. By threading a button through slot 40, compartment portion 12 of document holder 10 is able to be attached more securely to the wearer. For example, the compartment portion 12 may be prevented from being blown around the back of the wearer's neck by a gust of wind. Further, the slot 40 for receiving a button therethrough prevents compartment portion 12 from swaying back and forth as the wearer walks.

Slot 40, while provided to further stabilize compartment portion 12 and minimize or prevent compartment 12 from moving significantly while the wearer is traveling, is also provided as an optional feature for the wearer to make use of as desired. Although slot 40 is shown as a horizontally oriented slot, it is within the scope of this disclosure to provide a vertically oriented slot or an angled slot for receiving a button therethrough as well. Further, slot 40 may receive other articles in addition to a button. For example, slot 40 may receive a keychain of the wearer to be hung on compartment portion 12.

Illustrative first layer 20 provides the backing of compartment portion 12 and is made of a flexible, plastic material. It is within the scope of this disclosure, however, for first layer 20 to be made of other materials such as cloth, canvas, paper, metal, or wood, for example. Further, first layer 20 may be rigid as well.

Second layer 22 or sheet is rectangular in shape as well and includes opposite sides or edges 42, 44, a top side or edge 46, and a bottom side or edge 48. Illustrative second layer 22 has a length 50 of approximately 7.5 inches (19.05 cm) and a width 52 of approximately 4.6 inches (11.68 cm). Second layer 22 is coupled to first layer 20 such that bottom side 38 of first layer 20 and bottom side 48 of second layer 22 are aligned. Second layer 22 is coupled to first layer 20 along opposite sides 42, 44 and bottom side 48 of second layer 22 and along portions of opposite sides 32, 34 and bottom side 38 of first layer 20. Illustratively, the sides 42, 44 and bottom side 48 of second layer 22 are heat sealed to the corresponding opposite sides 32, 34 and bottom side 38 of first layer 20 to provide a first pouch or compartment 60 of

compartment portion 12, as shown in Fig. 3 between first and second layers 20, 22. Illustrative pouch 60 is sized to be able to carry generally larger objects such an airline ticket or boarding pass 11 (shown in Fig. 1), for example.

A resealable closure 64 having a first closure portion 66 and a second
5 closure portion 68 is provided. Illustratively, closure 64 is a bead and channel reclosable type closure, however, other resealable closures are within the scope of this disclosure such as a zipper, hook and eye tabs, buttons, snaps or other fasteners, for example. First closure portion 66 is coupled to a flap 70 having apertures 18
10 corresponding to and aligned with apertures 18 of first layer 20. Flap 70 also includes a horizontal slot 40 aligned with horizontal slot 40 of first layer 20. Flap 70 is coupled to first layer 20 such that apertures 18 and slot 40 of flap 70 are aligned with apertures 18 and slot 40 of first layer 20. Flap 70 is heat-sealed to first layer 20.

Second closure portion 68 is coupled to another flap 72. Flap 72 with
15 second closure portion 68 is coupled along outer sides 74, 76 of flap 72 to first layer 20 such that a bottom side 78 of flap 72 is adjacent to but spaced-apart from top side 46 of second layer 22. A slit or access opening 80, therefore, is formed between flap 72 and second layer 22 to provide access to compartment 60. Second closure member 68 is aligned with first closure member 66 to also provided resealable access to compartment 60 as well.

20 Third layer or sheet 24 includes opposite sides or edges 82, 84 as well as top and bottom sides or edges 86, 88, as shown in Fig. 2. Illustrative third layer 24 has a length 90 of approximately 5.1 inches (12.95 cm) and a width 92 of approximately 4.6 inches (11.68 cm). Third layer 24 is positioned to lie adjacent second layer 22 and is coupled to first and second layers 20, 22 along opposite and
25 bottom sides 82, 84, 88 such that bottom side 88 of third layer 24 is aligned with bottom side 48 and bottom side 38 of respective second and first layers 22, 20. Top side 36 is not coupled to second layer 22 to provide a second accessible compartment 94 between second layer 22 and third layer 24, as shown in Fig. 4. Second compartment 94 is open at the top and is formed to receive various documents
30 important to the wearer such as a passport and/or bus or train tickets, for example. Although second compartment 94 is open, it is within the scope of this disclosure to

provide a closure for compartment 94 such as closure member 64 or other suitable closures described above, for example.

Fourth layer or sheet 26 includes opposite sides or edges 102, 104 as well as top and bottom sides or edges 106, 108, as shown in Fig. 2. Illustratively
5 fourth layer 26 has a vertical length 110 of approximately 2 inches (5.08 cm) and a horizontal width 112 of approximately 4.6 inches (11.68 cm). Fourth layer 26 is positioned to lie adjacent third layer 24 and is coupled to first, second, and third layers 20, 22, 24 along opposite and bottom sides 102, 102, 108 such that bottom side 108 of fourth layer 26 is aligned with bottom sides 38, 48, 88 of respective first, second, and
10 third layers 20, 22, 24. Top side 106 is not coupled to third layer 24. A third compartment 114 is thus formed between third layer 24 and fourth layer 26, as shown in Fig. 4. Third compartment 114 is open at the top and is sized to receive various other documents important to the wearer such as a driver's license, for example. Although third compartment 114 is open, it is within the scope of this disclosure to
15 provide a closure for compartment 114 such as closure member 64 or other suitable disclosure described above, for example.

Illustrative second, third, and fourth layers 22, 24, 26 are made of a flexible plastic material and are transparent to allow the wearer to be able to see what items or documents are within each compartment 60, 94, 114. Also, the transparency
20 of the second, third, and fourth layers 22, 24, 26 allow the wearer to display his or her identification information for such purposes as security checkpoints in an airport, for example. The wearer's identification items are readily accessible by the wearer if a security personnel or other personnel ask to more closely view one or more of the documents within the holder 10. As mentioned above, holder 10 is provided to store
25 and display identification documents such as a passport, driver's license, birth certificate, boarding pass, airline ticket, bus ticket, train ticket, etc. while the wearer is traveling, and particularly, while the wearer is traveling through such areas where such identification documents are necessary. It is also within the scope of this disclosure to store other materials within the holder 10 unrelated to identification
30 documents. Holder 10 provides convenient and readily accessible compartments for storing any item the wearer desires which will fit within the compartments. Further, it is also within the scope of this disclosure to provide a holder 10 having other suitable

dimensions as well as more or fewer compartments of other varying sizes than the three compartments 60, 94, 114 disclosed herein.

CLAIMS

1. A document holder carried by a person to display various identification documents, the document holder comprising:
 - a first sheet having opposite long edges and opposite short edges,
 - 5 a second sheet coupled to the first sheet, having opposite long edges and opposite short edges, and being smaller than the first sheet,
 - a third sheet coupled to the second sheet, having opposite long edges and opposite short edges, and being smaller than the second sheet, and
 - a coupling portion coupled to the first sheet and adapted to be coupled
 - 10 to the person, wherein the first sheet includes a first aperture, a second aperture spaced-apart from the first aperture, and a slot positioned between the first and second apertures and the coupling portion is received through the first and second apertures.
2. The document holder of claim 1, wherein the second sheet and
- 15 the third sheet are made of a flexible, transparent plastic material.
3. The document holder of claim 1, further comprising a fourth sheet coupled to the third sheet, having opposite long edges and opposite short edges, and being smaller than the third sheet.
- 20
4. The document holder of claim 1, wherein the opposite long edges of the first, second, and third sheets are aligned with each other and coupled to each other and wherein a bottom one of the short edges of the first, second, and third sheets are aligned with each other and coupled to each other.
- 25
5. The document holder of claim 1, further comprising a resealable closure including a first closure portion coupled to the first sheet and a second closure portion coupled to the first sheet.

6. The document holder of claim 1, wherein the first sheet has a length of approximately 10.25 inches (26.04 cm) and a width of approximately 4.6 inches (11.68 cm), the second sheet has a length of approximately 7.5 inches (19.05 cm) and a width of approximately 4.6 inches (11.68 cm), the third sheet has a length
5 of approximately 5.1 inches (12.95 cm) and width of approximately 4.6 inches (11.68 cm), and the fourth sheet has a length of approximately 2.0 inches (5.08 cm) and a width of approximately 4.6 inches (11.68 cm).

7. The document holder of claim 1, wherein the coupling portion
10 is a string adapted to be draped around a neck of the person.

8. The document holder of any of the claims above, wherein the first, second, and third sheets are made of a flexible material.

9. The document holder of any of the claims above, wherein at
15 least one of the first, second, and third sheets is transparent.

10. A document holder carried by a person to display various identification documents, the document holder comprising:
20 a compartment portion having a first compartment, a second compartment having a second size different from the first size, a third compartment having a third size different from the first size and the second size, and a slot adapted to receive a button of a shirt of the person therethrough to secure the compartment portion to the shirt, and
25 a coupling portion coupled to the compartment portion and adapted to be coupled to the person.

11. The document holder of claim 10, wherein the first compartment is defined by a first sheet and a second sheet coupled to the first sheet,
30 the second compartment is defined by a portion of the second sheet and a third sheet coupled to the second sheet, and the third compartment is defined by a portion of the third sheet and a fourth sheet coupled to the third sheet.

12. The document holder of claim 11, wherein the second sheet is secured to the first sheet along three edges, the third sheet is secured to the second
5 sheet along three edges, and the fourth sheet is secured to the third sheet along three edges.

13. The document holder of claim 10, wherein the at least one compartment is resealably closed.
10

14. The document holder of claim 10, wherein the compartment portion includes an aperture and wherein the coupling portion is received through the aperture.

15. The document holder of claim 14, wherein the aperture is a first aperture and the compartment portion includes a second aperture spaced-apart from the first aperture and formed to receive the coupling portion.

16. A document holder carried by a person to display various
20 identification documents, the document holder comprising:
a compartment portion having a plurality of sheets defining a plurality of compartments, and

a coupling portion coupled to the compartment portion and adapted to be coupled to the person,

25 wherein each sheet includes top and bottom edges and opposite side edges and the plurality of sheets are stacked on top of one another and aligned with each other along the opposite side and bottom edges.

17. The document holder of claim 16, wherein the plurality of
30 sheets includes a first sheet, a second sheet, a third sheet, and a fourth sheet.

-12-

18. The document holder of claim 17, wherein the second, third, and fourth sheets are transparent.

19. The document holder of claim 17, wherein the first sheet
5 includes a first aperture and a second aperture spaced-apart from the second aperture and the coupling portion is received through the first and second apertures.

20. The document holder of claim 19, wherein the first sheet
10 includes a slot positioned between the first and second apertures and configured to receive a button of a shirt of the person therethrough to secure the compartment portion to the shirt.

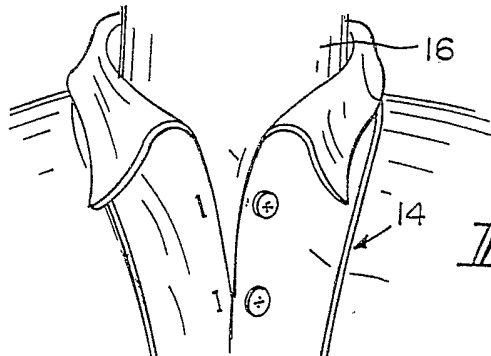


FIG. 1

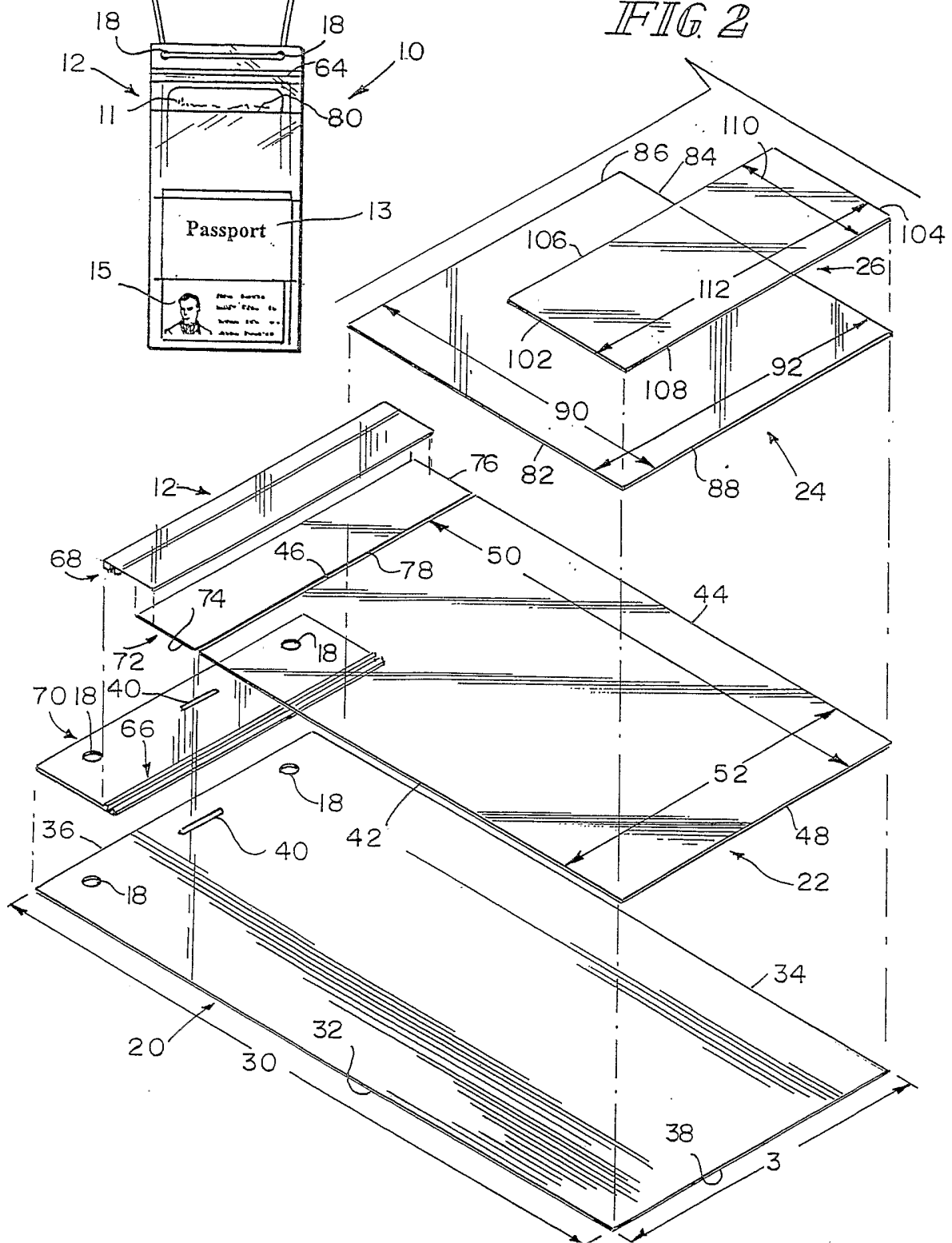


FIG. 2

