



US00D739145S

(12) **United States Design Patent**
von Berg

(10) **Patent No.:** **US D739,145 S**

(45) **Date of Patent:** **** Sep. 22, 2015**

- (54) **FACE BRUSH**
- (71) Applicant: **Peter von Berg**, Ft. Myers, FL (US)
- (72) Inventor: **Peter von Berg**, Ft. Myers, FL (US)
- (**) Term: **14 Years**
- (21) Appl. No.: **29/476,139**
- (22) Filed: **Dec. 11, 2013**
- (51) **LOC (10) Cl.** **04-02**
- (52) **U.S. Cl.**
USPC **D4/102; D4/127**
- (58) **Field of Classification Search**
USPC D4/100, 102, 127; D24/146, 211, 214,
D24/215; D28/7, 57, 58, 63; 15/22.1, 28,
15/29, 176.1, 176.4, 176.5, 180, 197, 198,
15/200, 207.2; 601/114
CPC A46B 3/00; A46B 3/02; A46B 5/0095;
A46B 7/00; A46B 7/04; A46B 7/042; A46B
7/06; A46B 7/08; A46B 9/00; A46B 9/02;
A46B 13/00; A46B 13/008; A46B 13/02;
A46B 13/023; A46B 13/04; A46B 13/08;
A46B 2200/10; A46B 2200/102; A47K 7/04;
A47L 23/06; A61H 7/003; A61H 7/004;
A61H 7/005
See application file for complete search history.

D549,964 S *	9/2007	Roth et al.	D4/102
7,320,691 B2 *	1/2008	Pilcher et al.	606/131
D601,803 S *	10/2009	Reishus et al.	D4/102
D646,487 S *	10/2011	Leppla et al.	D4/102

FOREIGN PATENT DOCUMENTS

KR	30-0309639 S *	11/2002
KR	30-0390251 S *	8/2005
KR	30-0678343 S *	1/2013

* cited by examiner

Primary Examiner — Melanie H Tung
Assistant Examiner — Lavone D Tabor
 (74) *Attorney, Agent, or Firm* — Larry D. Johnson

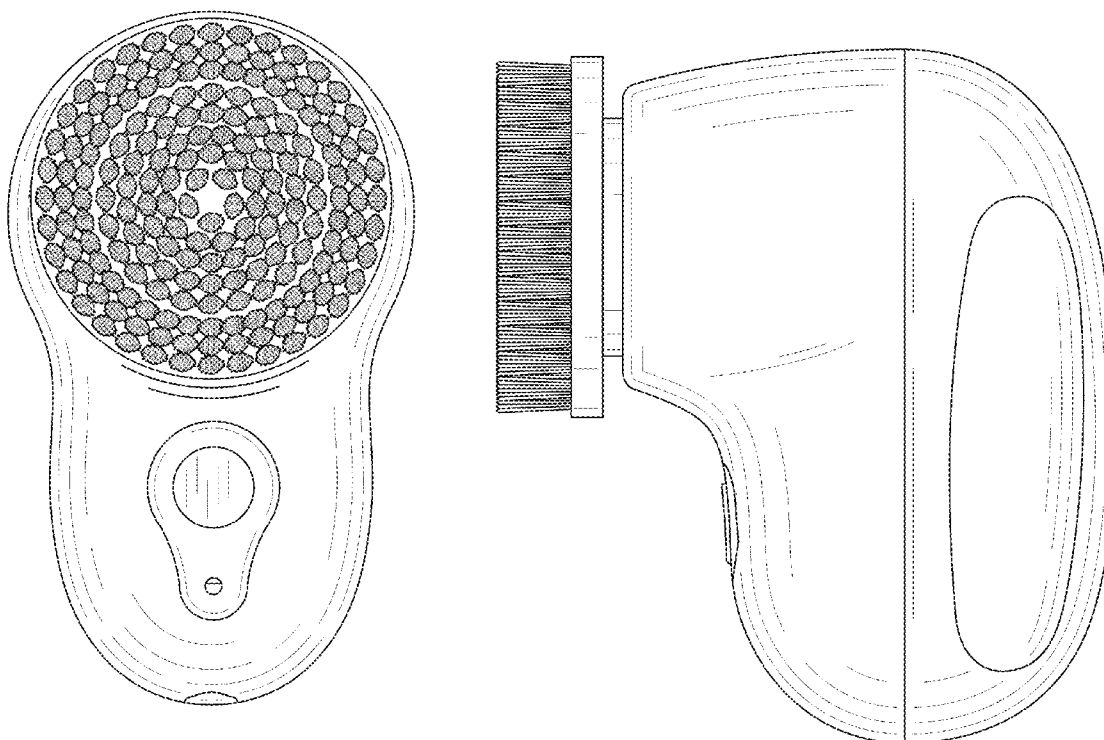
(57) **CLAIM**
 The ornamental design for a face brush, as shown and described.

DESCRIPTION

FIG. 1 is a front perspective view;
 FIG. 2 is a front view thereof;
 FIG. 3 is a rear view thereof;
 FIG. 4 is a right side view thereof, the left side being a mirror image;
 FIG. 5 is a top view thereof; and,
 FIG. 6 is a bottom view thereof.

- (56) **References Cited**
 U.S. PATENT DOCUMENTS
 D245,948 S * 10/1977 Wolff D4/102

1 Claim, 4 Drawing Sheets



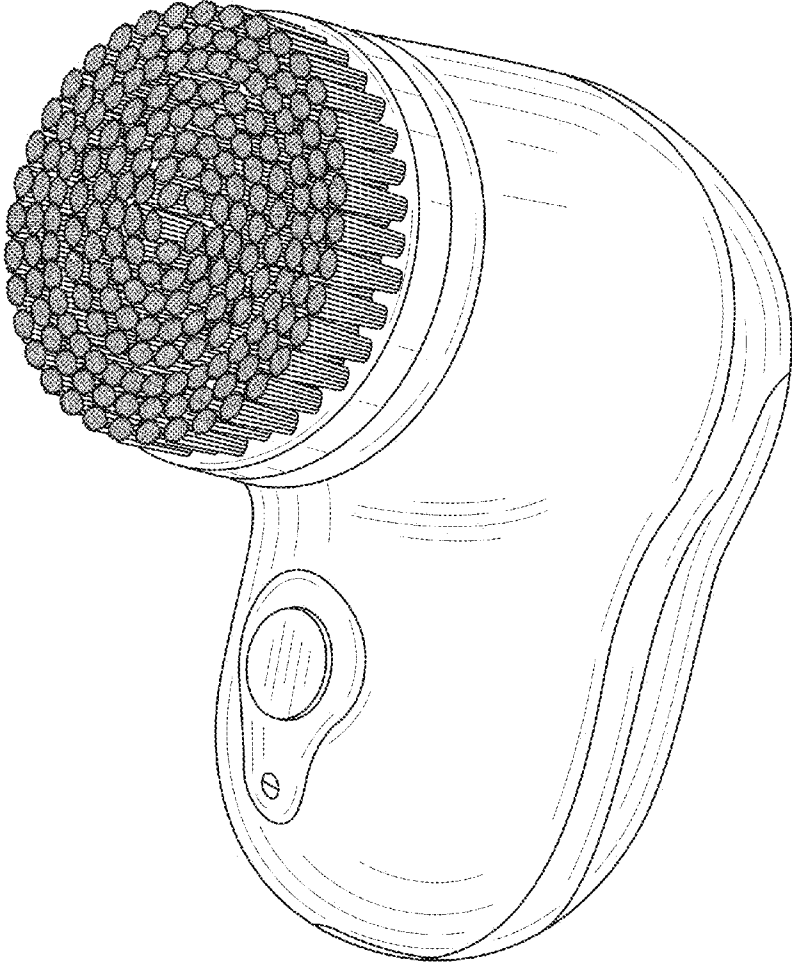


FIG. 1

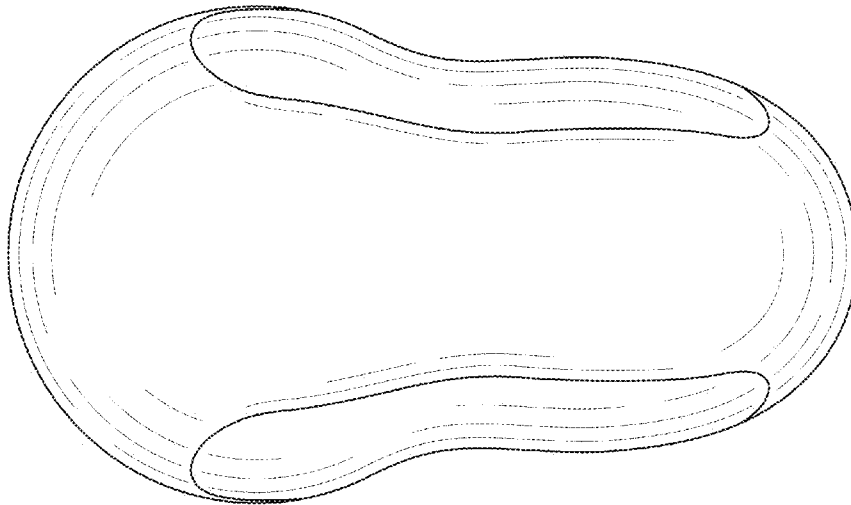


FIG. 3

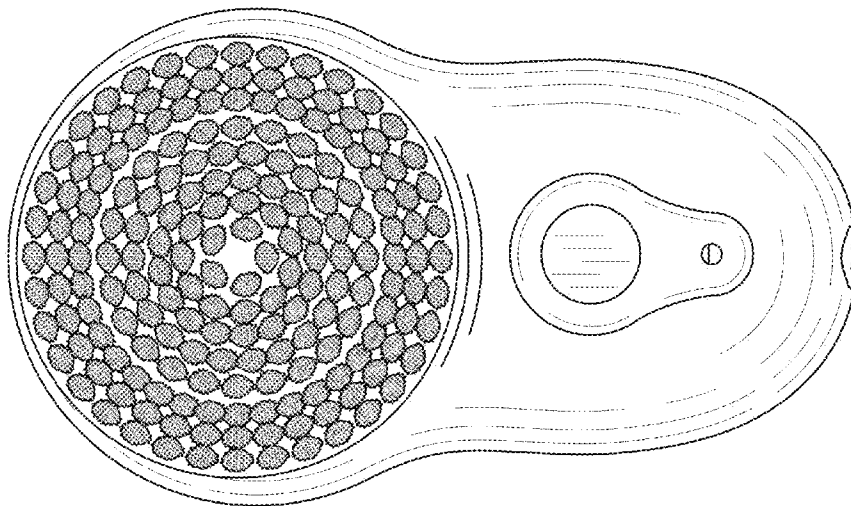


FIG. 2

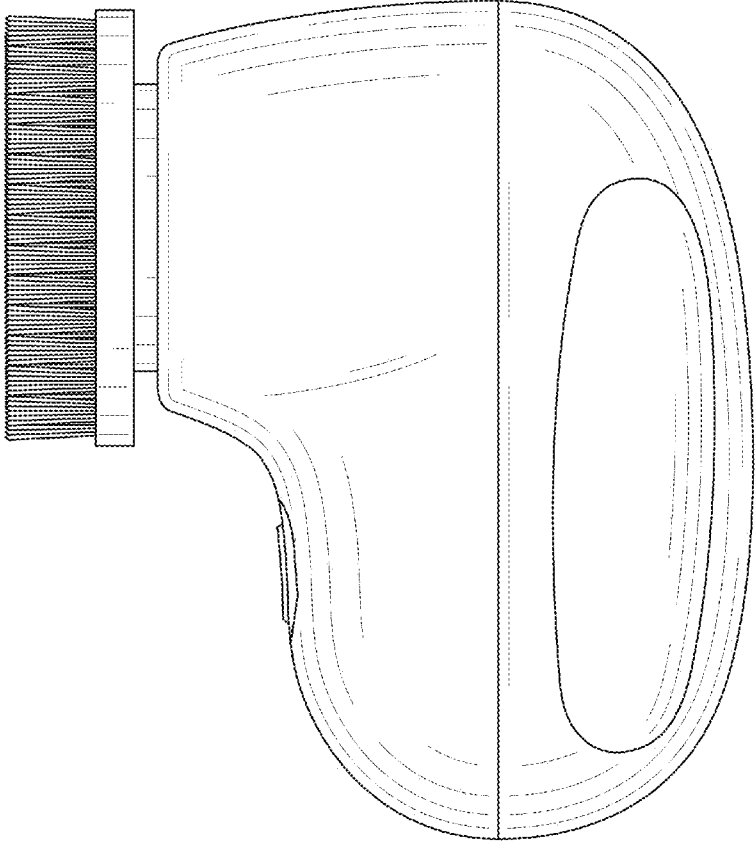


FIG. 4

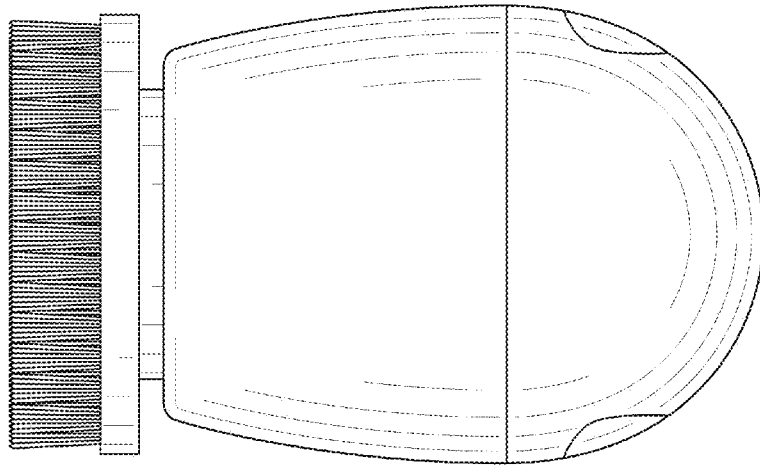


FIG. 5

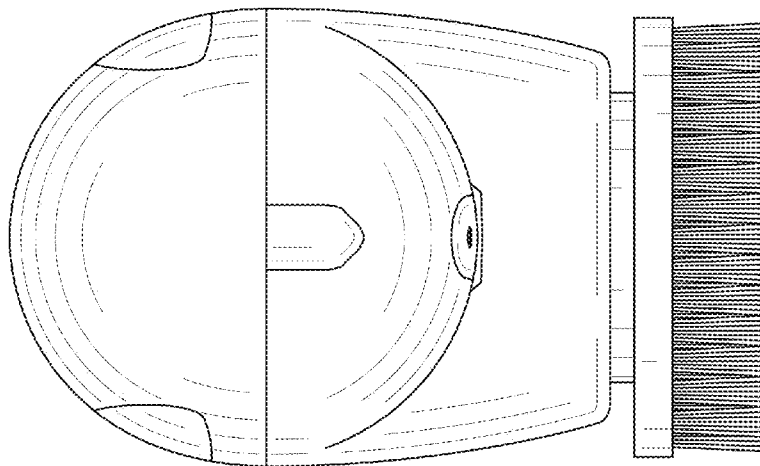


FIG. 6