



US00D894367S

(12) **United States Design Patent**
Gebert et al.

(10) **Patent No.:** **US D894,367 S**

(45) **Date of Patent:** **** Aug. 25, 2020**

(54) **VENT FRAME**

(71) Applicant: **ebm-papst Mulfingen GmbH & Co. KG**, Mulfingen (DE)

(72) Inventors: **Daniel Gebert**, Öhringen (DE);
Werner Haas, Dunningen (DE);
Wolfgang Laufer, Aichalden (DE);
Eugen Usselmann, Bad Dürkheim (DE);
Tobias Sieger, Geisingen (DE)

(73) Assignee: **ebm-papst Mulfingen GmbH & Co. KG**, Mulfingen (DE)

(**) Term: **15 Years**

(21) Appl. No.: **29/653,052**

(22) Filed: **Jun. 12, 2018**

(30) **Foreign Application Priority Data**

Dec. 13, 2017 (EM) 004546729-0006

(51) **LOC (12) Cl.** **23-03**

(52) **U.S. Cl.**
USPC **D23/411**

(58) **Field of Classification Search**
USPC D23/370–386, 393, 411–414, 351–354,
D23/332–336, 355, 366–369; D13/179
CPC F04D 29/545; F04D 29/661; F04D 5/00;
F04D 27/00; F04D 29/329
See application file for complete search history.

(56) **References Cited**

U.S. PATENT DOCUMENTS

4,568,243 A * 2/1986 Schubert F04D 29/023
248/570
D297,761 S * 9/1988 Shiraki D23/370

D513,530 S * 1/2006 Chen D23/379
D531,716 S * 11/2006 Watanabe D23/370
D560,622 S * 1/2008 Ishihara D13/179
7,414,842 B2 * 8/2008 Hao H01L 23/467
165/121
D637,276 S * 5/2011 Miyabara D23/370
D637,706 S * 5/2011 Kawai D23/370
D732,655 S * 6/2015 Ueno D13/179
D773,031 S * 11/2016 Chan D23/383
D818,103 S * 5/2018 Hoss D23/370
2005/0233688 A1 * 10/2005 Franz F04D 25/082
454/157
2010/0033041 A1 * 2/2010 Watanabe F04D 19/007
310/63
2010/0329857 A1 * 12/2010 Heli F04D 25/0613
415/182.1
2019/0101122 A1 * 4/2019 Gebert F04D 17/16

* cited by examiner

Primary Examiner — Cathron C Brooks

Assistant Examiner — Sharon S Oum

(74) *Attorney, Agent, or Firm* — Harness, Dickey & Pierce, P.L.C.

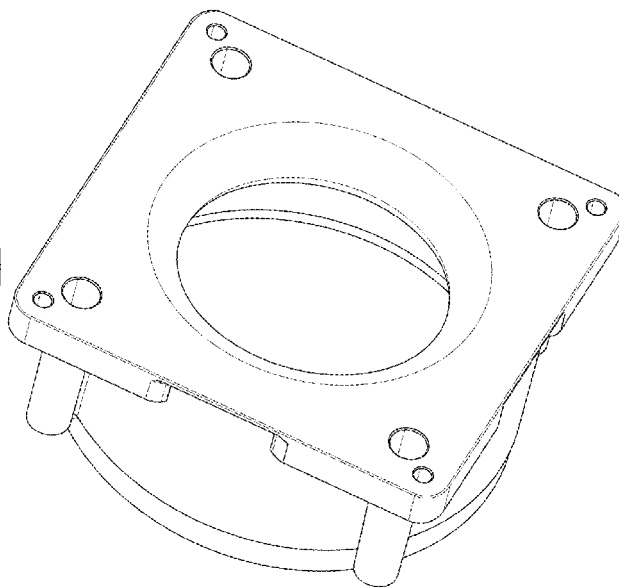
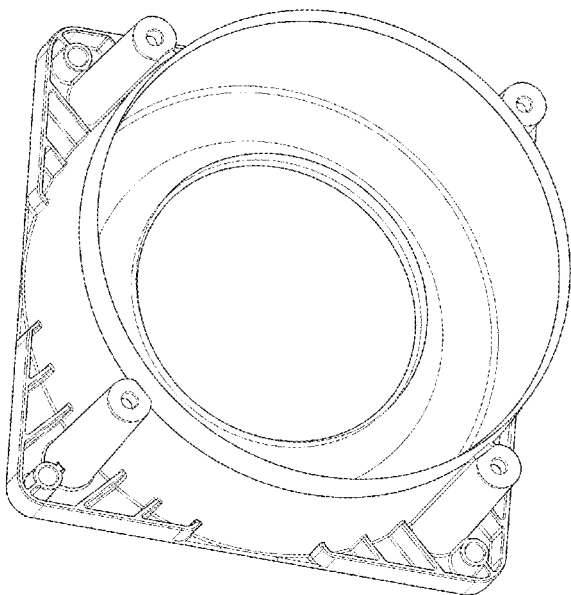
(57) **CLAIM**

The ornamental design for a vent frame, as shown and described.

DESCRIPTION

FIG. 1 is a rear plan view thereof;
FIG. 2 is a side perspective view thereof;
FIG. 3 is a side perspective view thereof;
FIG. 4 is a rear perspective view thereof;
FIG. 5 is a front plan view thereof;
FIG. 6 is a side elevation view thereof; and,
FIG. 7 is a front perspective view thereof.

1 Claim, 7 Drawing Sheets



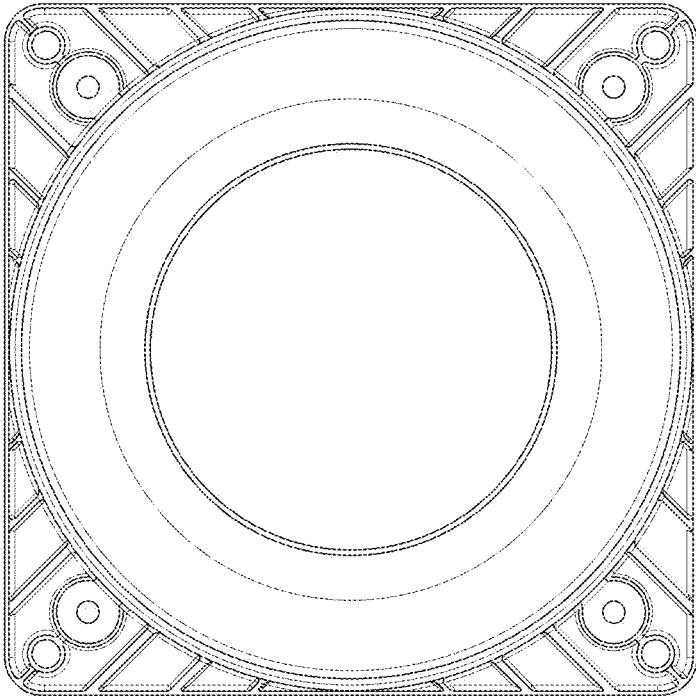


FIG. 1

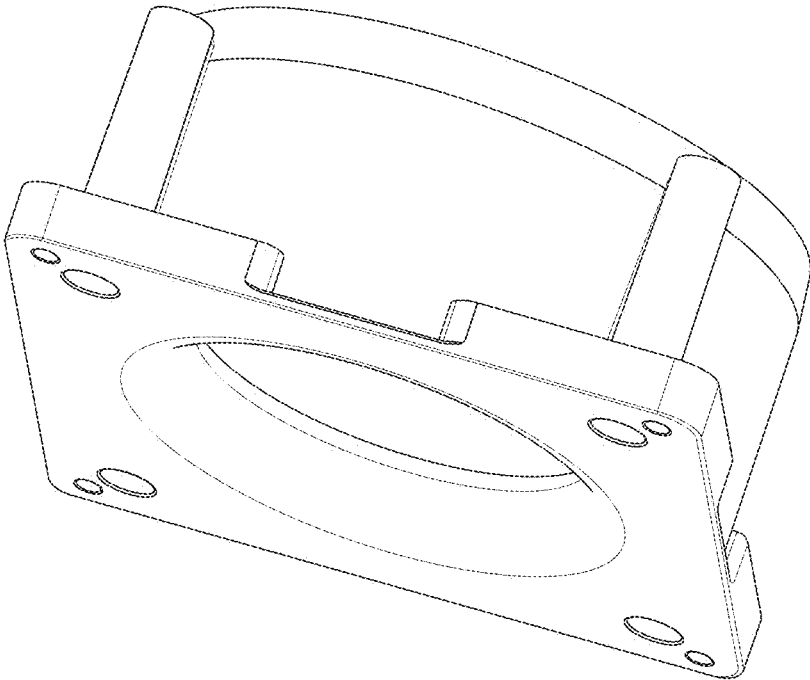


FIG. 2

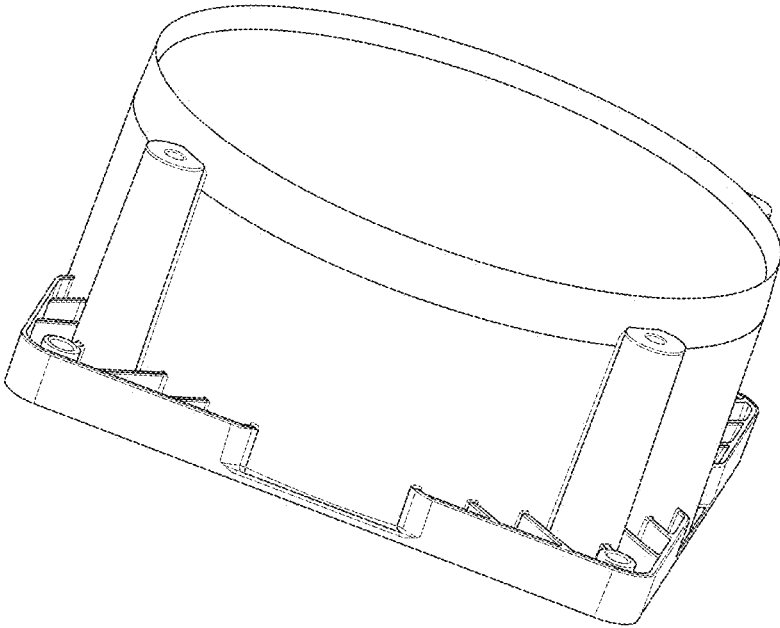


FIG. 3

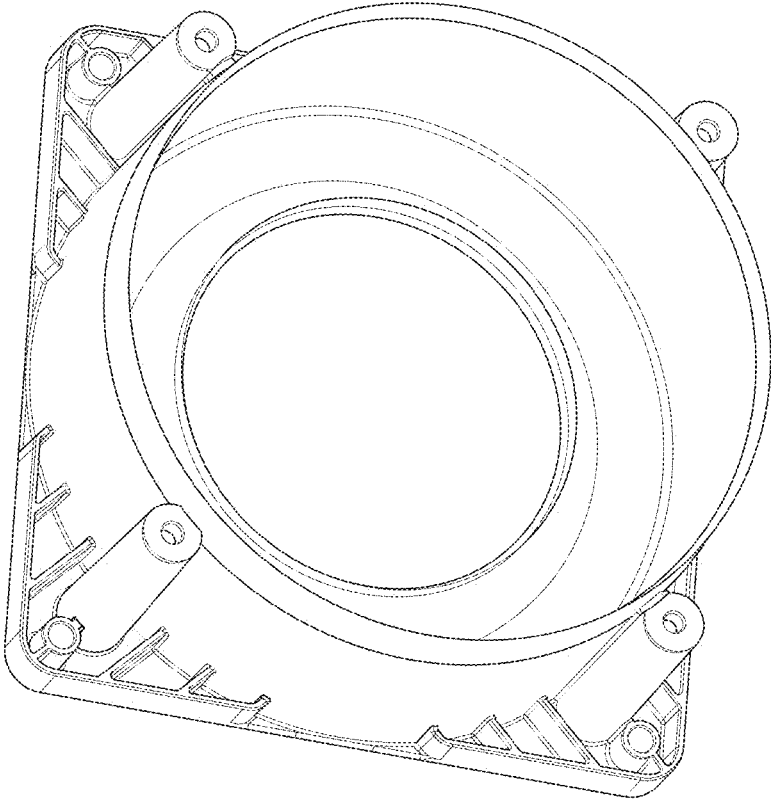


FIG. 4

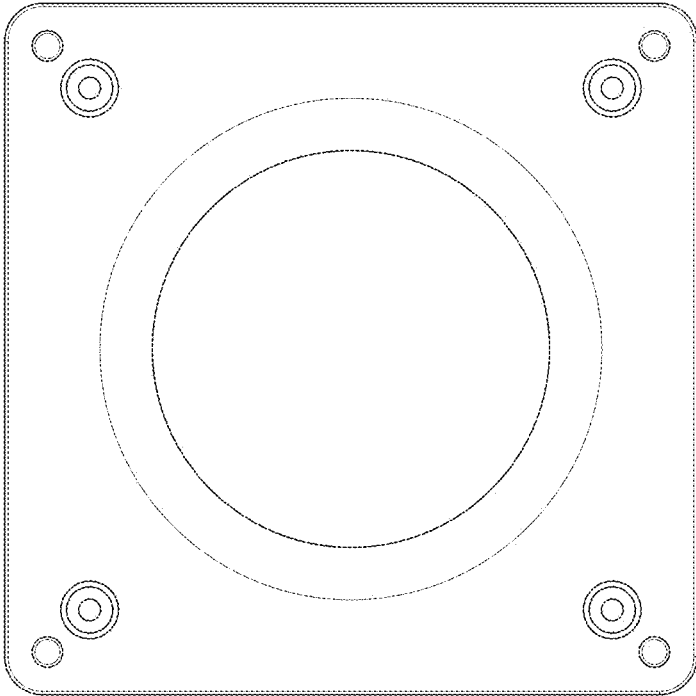


FIG. 5

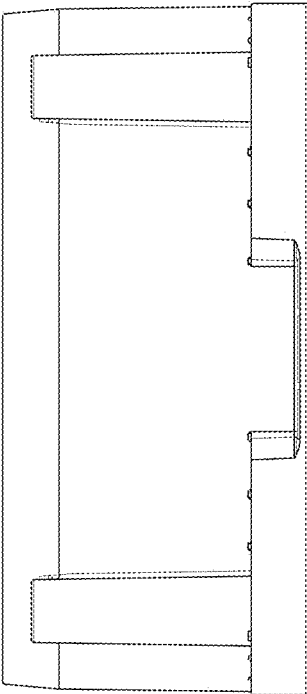


FIG. 6

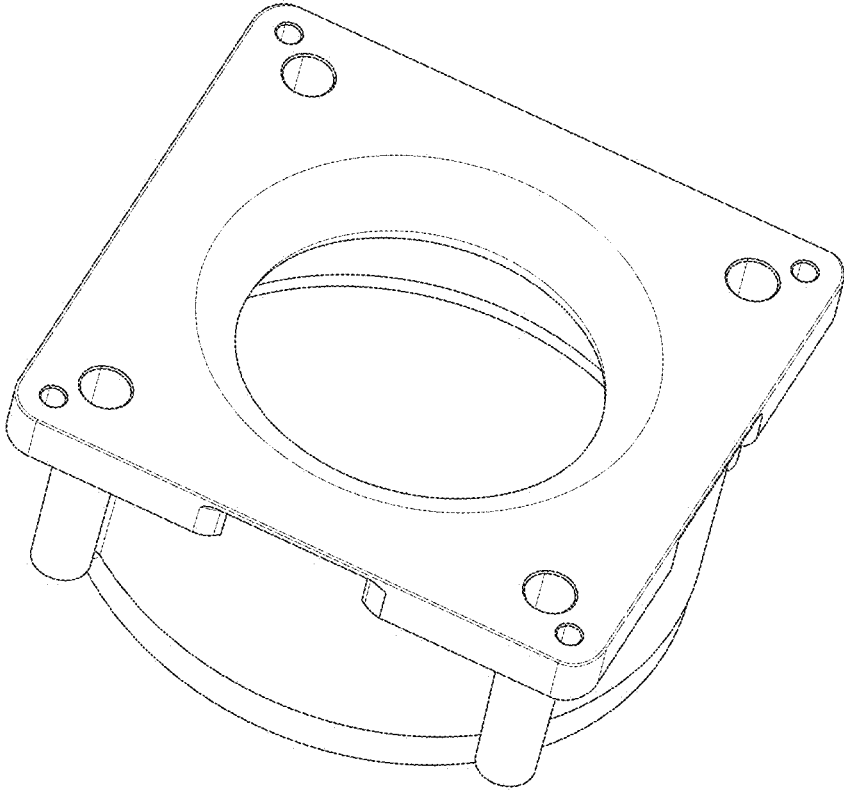


FIG. 7