

(19) World Intellectual Property Organization  
International Bureau



(43) International Publication Date  
4 October 2007 (04.10.2007)

PCT

(10) International Publication Number  
**WO 2007/112278 A3**

(51) International Patent Classification:  
A61M 39/10 (2006.01)

(21) International Application Number:  
PCT/US2007/064695

(22) International Filing Date: 22 March 2007 (22.03.2007)

(25) Filing Language: English

(26) Publication Language: English

(30) Priority Data:  
11/277,471 24 March 2006 (24.03.2006) US

(71) Applicant (for all designated States except US): NEXUS MEDICAL, LLC. [US/US]; 11315 Strang Line Road, Lenexa, KS 66215 (US).

(72) Inventors; and

(75) Inventors/Applicants (for US only): WINSOR, Chris [US/US]; 14549 West 152nd Place, Olathe, KS 66062 (US). SMITH, Larry, C. [US/US]; 6612 Cottonwood, Shawnee, KS 66216 (US). DIKEMAN, W., Cary [US/US]; 11315 Strang Line Road, Lenexa, KS 66215 (US).

(74) Agent: COLOMBO, Andrew, G.; Hovey Williams LLP, 2405 Grand Boulevard Suite 400, Kansas City, MO 64108 (US).

(81) Designated States (unless otherwise indicated, for every kind of national protection available): AE, AG, AL, AM, AT, AU, AZ, BA, BB, BG, BH, BR, BW, BY, BZ, CA, CH, CN, CO, CR, CU, CZ, DE, DK, DM, DZ, EC, EE, EG, ES, FI, GB, GD, GE, GH, GM, GT, HN, HR, HU, ID, IL, IN, IS, JP, KE, KG, KM, KN, KP, KR, KZ, LA, LC, LK, LR, LS, LT, LU, LY, MA, MD, MG, MK, MN, MW, MX, MY, MZ, NA, NG, NI, NO, NZ, OM, PG, PH, PL, PT, RO, RS, RU, SC, SD, SE, SG, SK, SL, SM, SV, SY, TJ, TM, TN, TR, TT, TZ, UA, UG, US, UZ, VC, VN, ZA, ZM, ZW.

(84) Designated States (unless otherwise indicated, for every kind of regional protection available): ARIPO (BW, GH, GM, KE, LS, MW, MZ, NA, SD, SL, SZ, TZ, UG, ZM, ZW), Eurasian (AM, AZ, BY, KG, KZ, MD, RU, TJ, TM), European (AT, BE, BG, CH, CY, CZ, DE, DK, EE, ES, FI, FR, GB, GR, HU, IE, IS, IT, LT, LU, LV, MC, MT, NL, PL, PT, RO, SE, SI, SK, TR), OAPI (BF, BJ, CF, CG, CI, CM, GA, GN, GQ, GW, ML, MR, NE, SN, TD, TG).

**Declarations under Rule 4.17:**

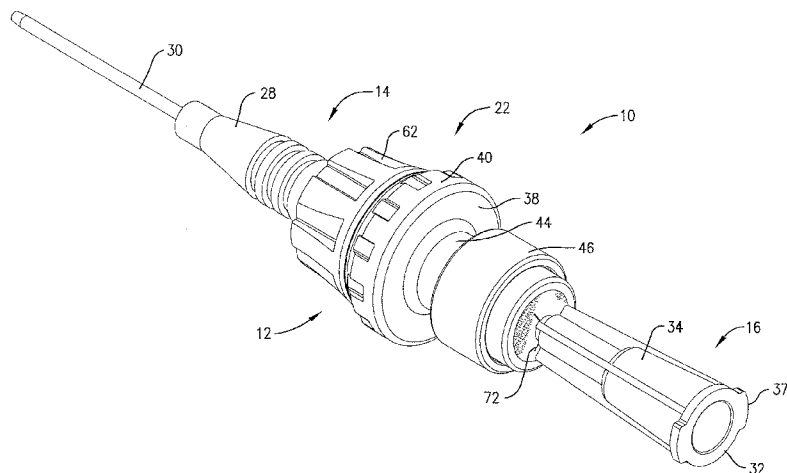
- as to applicant's entitlement to apply for and be granted a patent (Rule 4.17(ii))
- as to the applicant's entitlement to claim the priority of the earlier application (Rule 4.17(iii))

**Published:**

- with international search report

(88) Date of publication of the international search report:  
6 March 2008

(54) Title: INTRAVENOUS INJECTION SITE SPLIT SEPTUM AND PRESSURE ACTIVATED FLOW CONTROL VALVE



(57) Abstract: An improved injection site (12) for infusion of parenteral fluids and the like is provided, having a pressure-actuated valve (20) and a novel split septum unit (24), which effectively prevent reflux of blood into the assembly (10). The septum unit (24) includes a resilient split septum body (64) which is precompressed so that the septum body (64) is caused to protrude proximally (78) upon insertion of a cannula (16). Consequently, upon removal of the cannula (16), there is essentially no "drumming" or creation of friction-induced negative pressures sufficient to generate blood reflux. The preloaded septum body (64) also has its proximal surface (74) essentially flush and coplanar with the adjacent proximal end (66b) of the tubular septum holder (66) to enhance the cleanliness of the unit (24). The specialized well (46) and septum unit (24) afford a resilient seal between the periphery of the septum body (64) and the surface (50), and a separate hard-surface seal between the outer margin of the surface (50) and the septum holder (66).



WO 2007/112278 A3

**INTERNATIONAL SEARCH REPORT**

International application No.  
PCT/US07/64695

**A. CLASSIFICATION OF SUBJECT MATTER**  
 IPC(8) - A61M 39/10 (2007.10)  
 USPC - 604/256  
 According to International Patent Classification (IPC) or to both national classification and IPC

---

**B. FIELDS SEARCHED**

Minimum documentation searched (classification system followed by classification symbols)  
 IPC(8) - A61M 39/10 (2007.01)  
 USPC - 604/256

---

Documentation searched other than minimum documentation to the extent that such documents are included in the fields searched

---

Electronic data base consulted during the international search (name of data base and, where practicable, search terms used)  
 USPTO EAST System (US, USPG-PUB, EPO, DERWENT), MicroPatent.

**C. DOCUMENTS CONSIDERED TO BE RELEVANT**

Category*	Citation of document, with indication, where appropriate, of the relevant passages	Relevant to claim No.
X -- Y	US 5,820,601 A (MAYER) 13 October 1998 (13.10.1998) entire document	1-2, 12, 14, 22, 25-26, 28, 36
Y	US 6,261,266 B1 (JEPSON et al) 17 July 2001 (17.07.2001) entire document	3-11, 13, 15-21, 23-24, 27, 29-35, 37-57
Y	US 6,669,681 B1 (JEPSON et al) 30 December 2003 (30.12.2003) entire document	3-9, 13, 15-21, 27, 29-35, 39-47, 49-54, 56-57
Y	US 6,669,681 B1 (JEPSON et al) 30 December 2003 (30.12.2003) entire document	5-6, 17-18, 31-32, 48
Y	US 2005/0010176 A1 (DIKEMAN et al) 13 January 2005 (13.01.2005) entire document	10-11, 23-24, 37-38, 55

Further documents are listed in the continuation of Box C.

- \* Special categories of cited documents:
- |   |  |
|---|--|
| "A" document defining the general state of the art which is not considered to be of particular relevance  | "T" later document published after the international filing date or priority date and not in conflict with the application but cited to understand the principle or theory underlying the invention  |
| "E" earlier application or patent but published on or after the international filing date   | "X" document of particular relevance; the claimed invention cannot be considered novel or cannot be considered to involve an inventive step when the document is taken alone   |
| "L" document which may throw doubts on priority claim(s) or which is cited to establish the publication date of another citation or other special reason (as specified) | "Y" document of particular relevance; the claimed invention cannot be considered to involve an inventive step when the document is combined with one or more other such documents, such combination being obvious to a person skilled in the art |
| "O" document referring to an oral disclosure, use, exhibition or other means  | "&" document member of the same patent family  |
| "P" document published prior to the international filing date but later than the priority date claimed  |  |

Date of the actual completion of the international search 27 November 2007	Date of mailing of the international search report <b>20 DEC 2007</b>
---	--

Name and mailing address of the ISA/US Mail Stop PCT, Attn: ISA/US, Commissioner for Patents P.O. Box 1450, Alexandria, Virginia 22313-1450 Facsimile No. 571-273-3201	Authorized officer: Blaine R. Copenheaver  PCT Helpdesk: 571-272-4300 PCT OSP: 571-272-7774
---	---