



US00D720948S

(12) **United States Design Patent**  
**Gonzalez et al.**

(10) **Patent No.:** **US D720,948 S**

(45) **Date of Patent:** **\*\* Jan. 13, 2015**

(54) **WORK TABLE**

(71) Applicants: **Mario M. Gonzalez**, Kenosha, WI (US);  
**Noah Wangerin**, Glenview, IL (US)

(72) Inventors: **Mario M. Gonzalez**, Kenosha, WI (US);  
**Noah Wangerin**, Glenview, IL (US)

(73) Assignee: **Weber-Stephen Products LLC**,  
Palatine, IL (US)

(\*\*) Term: **14 Years**

(21) Appl. No.: **29/454,236**

(22) Filed: **May 8, 2013**

(51) **LOC (10) Cl.** ..... **06-03**

(52) **U.S. Cl.**  
USPC ..... **D6/656.13**; D6/656.15; D6/696.1;  
D6/696.3

(58) **Field of Classification Search**  
CPC ..... A47B 97/14; A47B 9/00; A47B 13/06;  
A47B 17/02  
USPC ..... D6/696, 696.3, 656.13, 656.15, 656.12,  
D6/692.4, 691.6, 708.16; 108/150, 153.1,  
108/156, 157.1, 161, 144.11, 145, 147.21,  
108/147.19; 248/423, 188, 188.1

See application file for complete search history.

(56) **References Cited**

U.S. PATENT DOCUMENTS

D122,925 S \* 10/1940 Holden et al. .... D6/406.2  
D235,823 S \* 7/1975 Hodge ..... D6/483  
3,934,806 A \* 1/1976 Rady ..... 248/441.1  
D548,496 S \* 8/2007 Samtani et al. .... D6/486  
D694,044 S \* 11/2013 Copeland ..... D6/656.15

\* cited by examiner

*Primary Examiner* — Janice Seeger

(74) *Attorney, Agent, or Firm* — Niro, Haller & Niro

(57) **CLAIM**

The ornamental design for a work table, as shown and described.

**DESCRIPTION**

FIG. 1 is a perspective view of the work table design;  
FIG. 2 is a top view of the work table design;  
FIG. 3 is rear view of the work table design;  
FIG. 4 is a right side view of the work table design, the left  
side view being a mirror image thereof;  
FIG. 5 is a bottom view of the work table design; and,  
FIG. 6 is a front view of the work table design.  
The broken lines in FIG. 5 are for environmental purposes  
only and form no part of the claimed design.

**1 Claim, 4 Drawing Sheets**

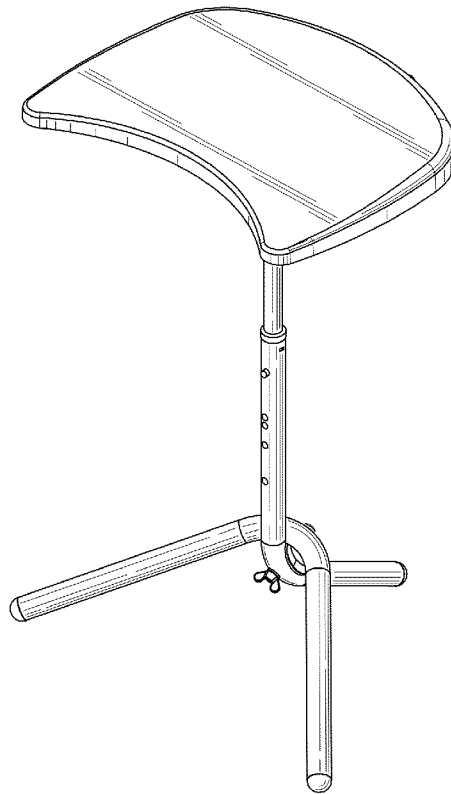


Fig. 1

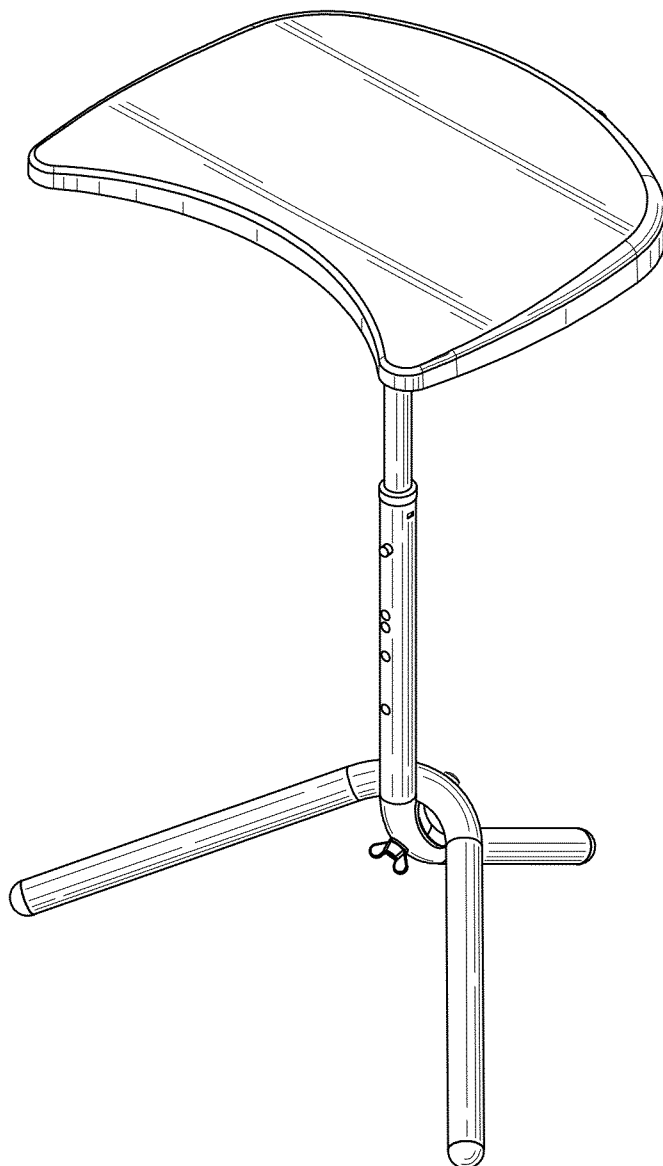


Fig. 2

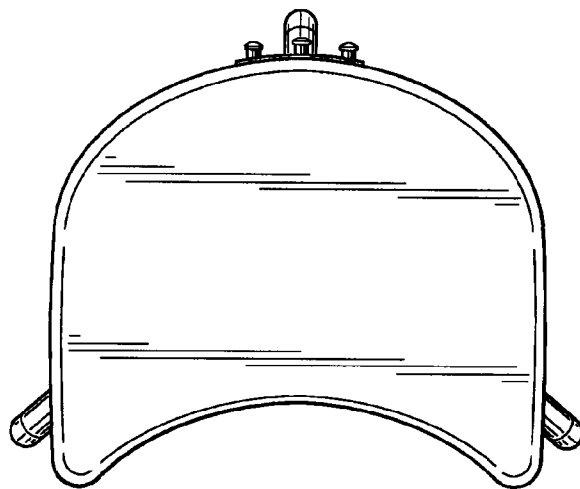


Fig. 3

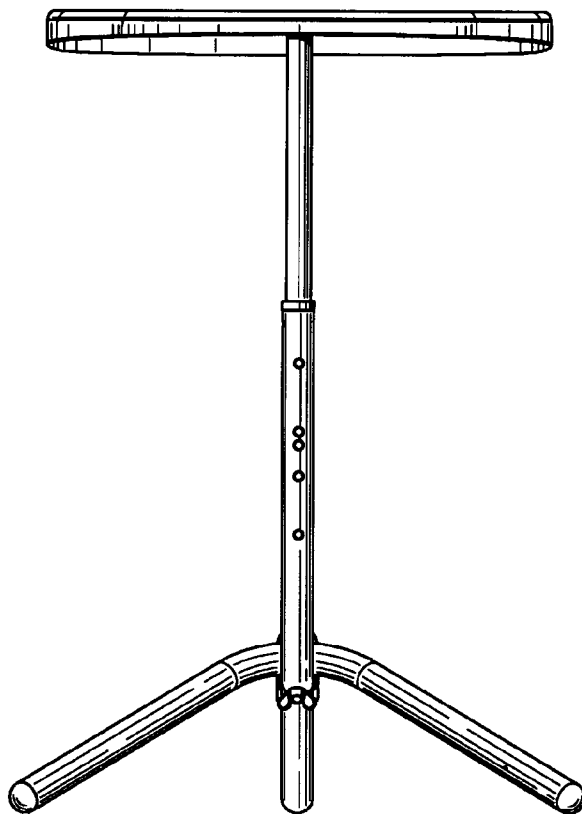


Fig. 4

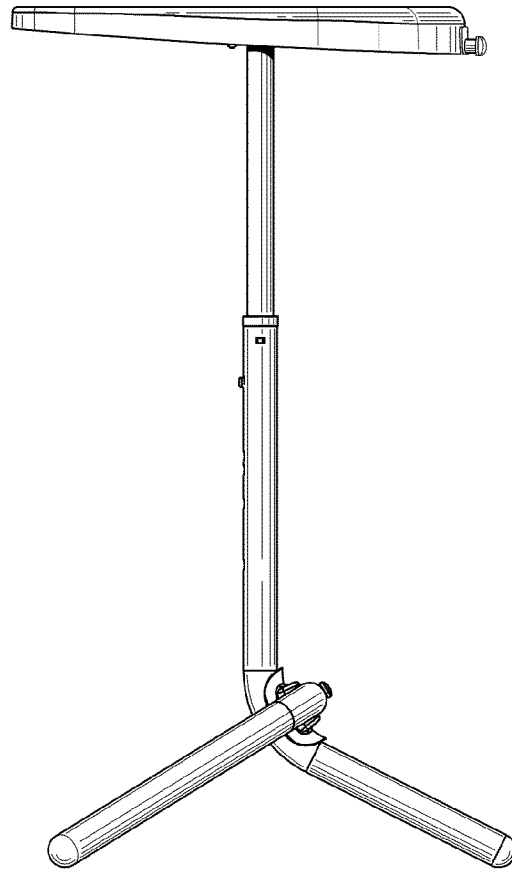


Fig. 5

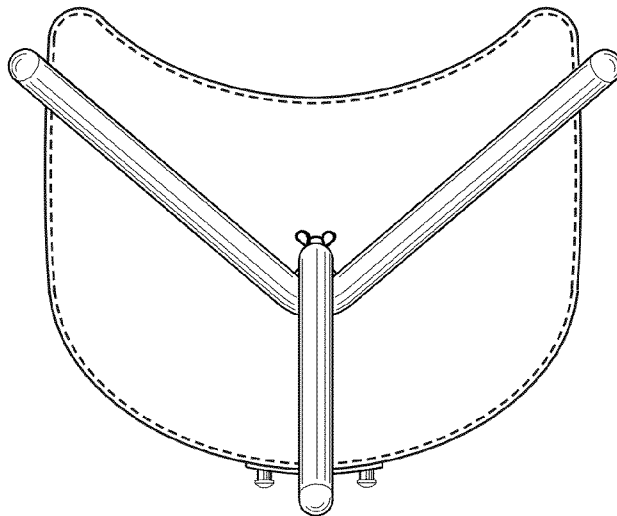


Fig. 6

