



US00D844962S

(12) **United States Design Patent**
Russ

(10) **Patent No.:** **US D844,962 S**

(45) **Date of Patent:** **** Apr. 9, 2019**

- (54) **BICYCLE SHOE CLEAT**
- (71) Applicant: **TREK BICYCLE CORPORATION**,
Waterloo, WI (US)
- (72) Inventor: **Kyle Russ**, Madison, WI (US)
- (73) Assignee: **Trek Bicycle Corporation**, Waterloo,
WI (US)
- (**) Term: **15 Years**
- (21) Appl. No.: **29/571,456**
- (22) Filed: **Jul. 18, 2016**
- (51) **LOC (11) Cl.** **02-04**
- (52) **U.S. Cl.**
USPC **D2/962**
- (58) **Field of Classification Search**
USPC D2/962, 946, 906, 954, 947, 951, 960,
D2/959; 36/7.6, 64, 124, 132, 59 R, 62,
36/66, 113; D21/768, 771; D15/24;
D12/608
CPC A43C 15/068; A43C 15/09; A43C 15/06;
A43C 15/066; A43C 15/061; A43C
15/10; A43C 11/00; A43C 13/04; A43C
15/02; A43C 15/065; A43C 15/161; A43C
19/00; A43C 7/00; A43C 15/063; A63C
13/003; A43B 5/02; A43B 13/26; A43B
5/0423
See application file for complete search history.

- D792,076 S * 7/2017 Terrell A43C 15/161
D2/962
- 2005/0097783 A1* 5/2005 Mills A43B 3/0068
36/126
- 2013/0067771 A1* 3/2013 Minami A43B 13/223
36/103

(Continued)

OTHER PUBLICATIONS

XC9 S-Phyre , no date available, [online], [site visited Sep. 11, 2017]. Retrieved from <url:http://www.shimano-lifestylegear.com/us/fw/products/sphyre/18ss_002xc9.php?pScontents Pro>.*

Primary Examiner — Jeffrey D Asch
Assistant Examiner — Tracey J Bell

(57) **CLAIM**

The ornamental design for a bicycle shoe cleat, as shown and described.

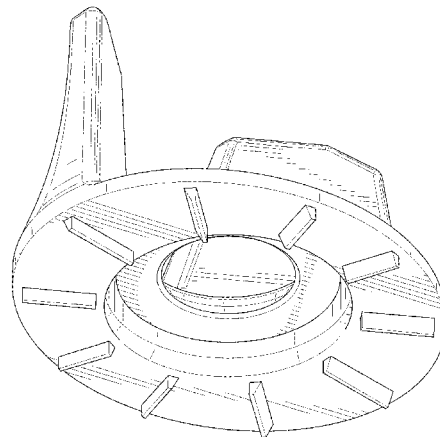
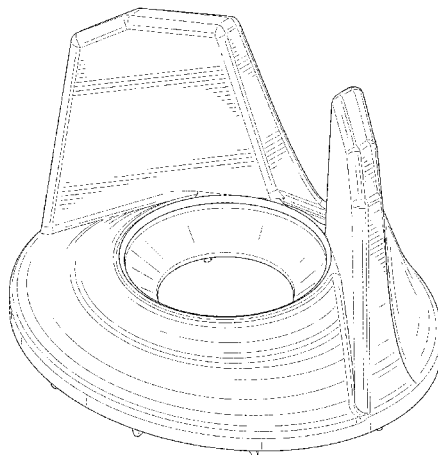
DESCRIPTION

FIG. 1 is a bottom, rear, right perspective view of a bicycle shoe cleat showing my new design;
 FIG. 2 is a top, rear, left perspective view thereof;
 FIG. 3 is a rear view thereof;
 FIG. 4 is a front view thereof;
 FIG. 5 is a right view thereof;
 FIG. 6 is a left view thereof;
 FIG. 7 is a bottom view thereof;
 FIG. 8 is a top view thereof;
 FIG. 9 is a front view thereof, shown in a position of use on a shoe;
 FIG. 10 is a left view thereof, shown in a position of use on the shoe; and,
 FIG. 11 is a left, front, top view thereof, shown in a position of use on the shoe.
 The broken line showing of the shoe is for the purpose of illustrating the bicycle shoe cleat in a position of use. The broken lines form no part of the claimed design.

1 Claim, 10 Drawing Sheets

(56) **References Cited**
U.S. PATENT DOCUMENTS

- D379,630 S * 6/1997 Brockway D15/29
- D532,960 S * 12/2006 Pellerin D2/962
- D583,542 S * 12/2008 Gerber D2/946
- D617,817 S * 6/2010 Brockway D15/20
- 8,215,035 B2* 7/2012 Mills A43B 3/0068
36/59 R
- D718,794 S * 12/2014 Brockway D15/21
- 9,314,065 B2* 4/2016 Auger A43B 5/02
- D779,803 S * 2/2017 Lee D2/951



(56)

References Cited

U.S. PATENT DOCUMENTS

| | | | | |
|--------------|-----|---------|-----------------|-----------------------|
| 2013/0318824 | A1* | 12/2013 | Auger | A43B 3/0036 36/88 |
| 2016/0120265 | A1* | 5/2016 | Cavaliere | A43C 15/161 36/134 |
| 2016/0198792 | A1* | 7/2016 | Chen | A43B 5/14 36/31 |
| 2016/0286904 | A1* | 10/2016 | Bauduin | A43B 13/223 |
| 2017/0188662 | A1* | 7/2017 | Baucom | A43C 15/161 |

* cited by examiner

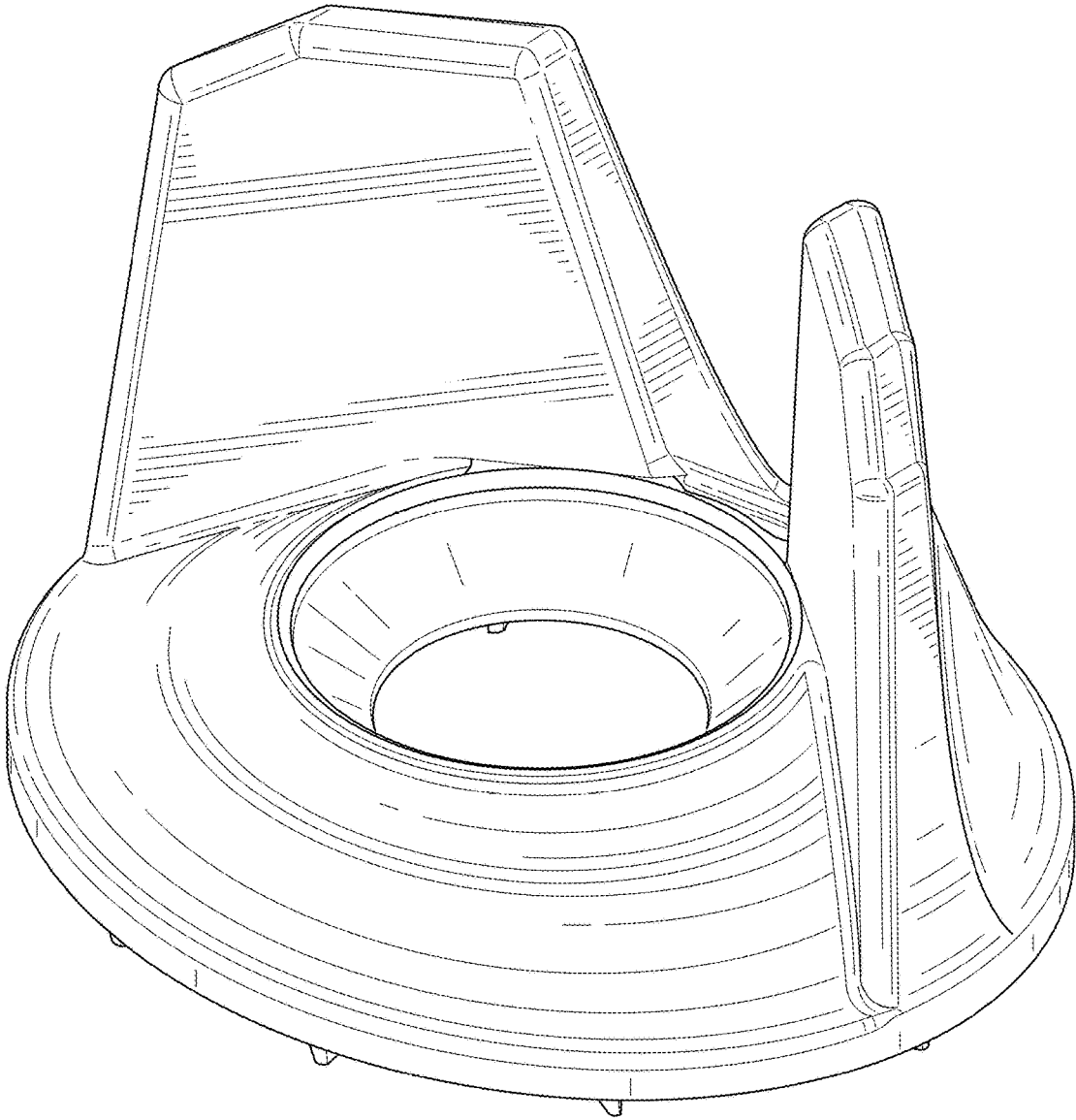


FIG. 1

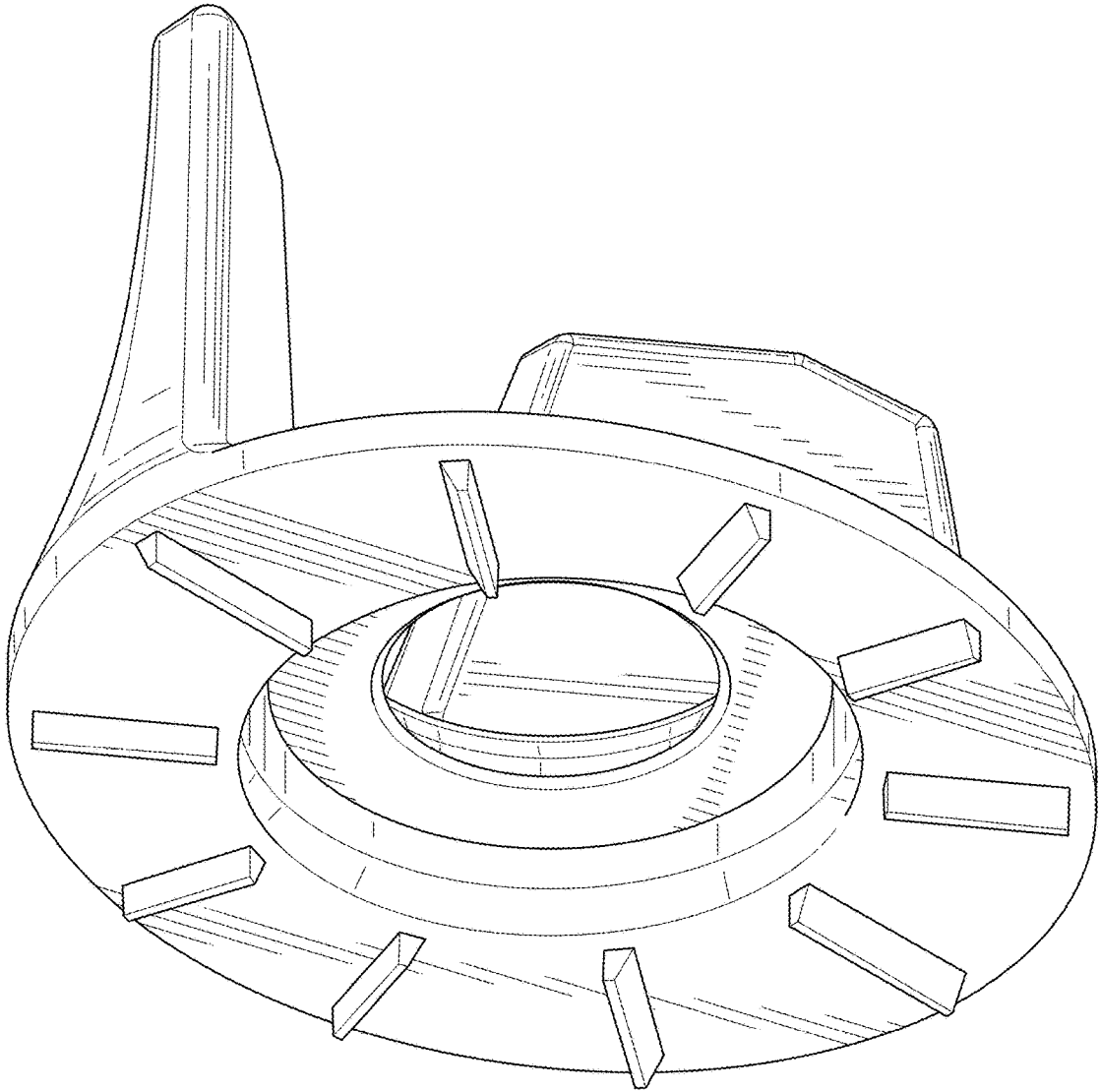


FIG. 2

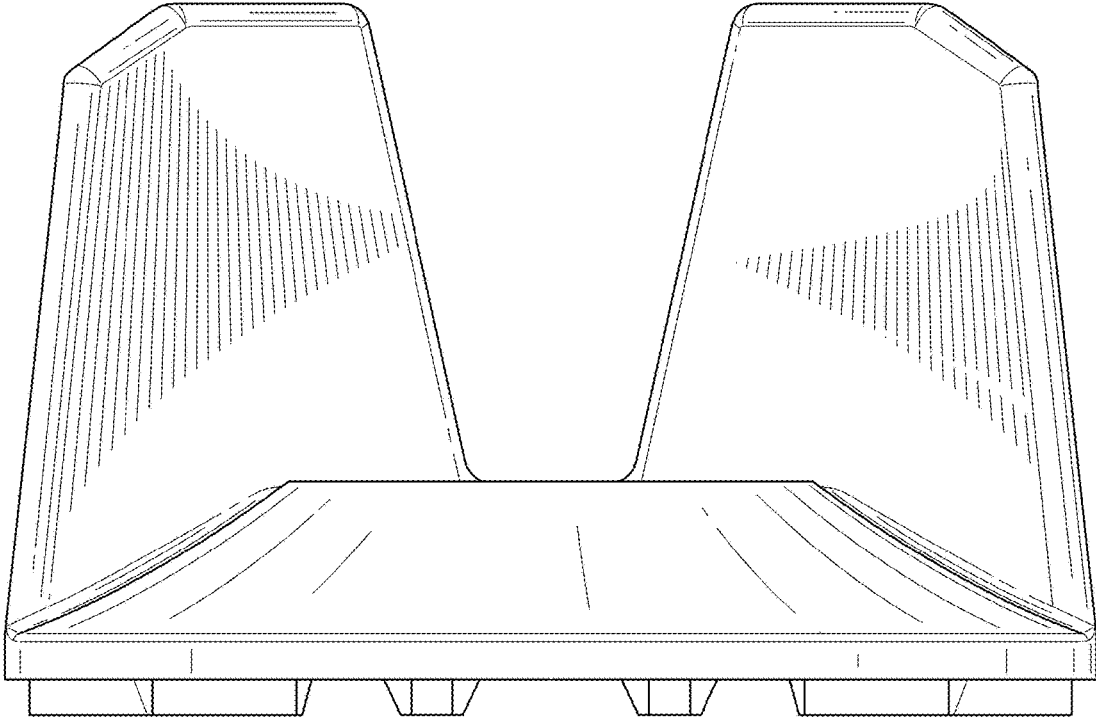


FIG. 3

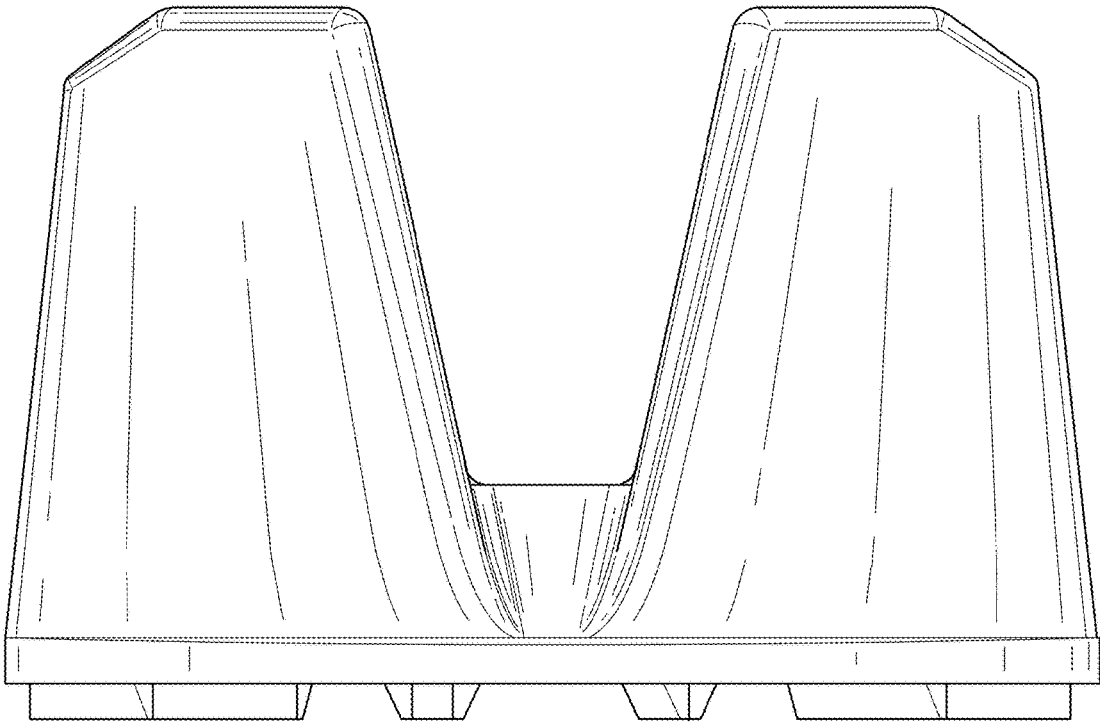


FIG. 4

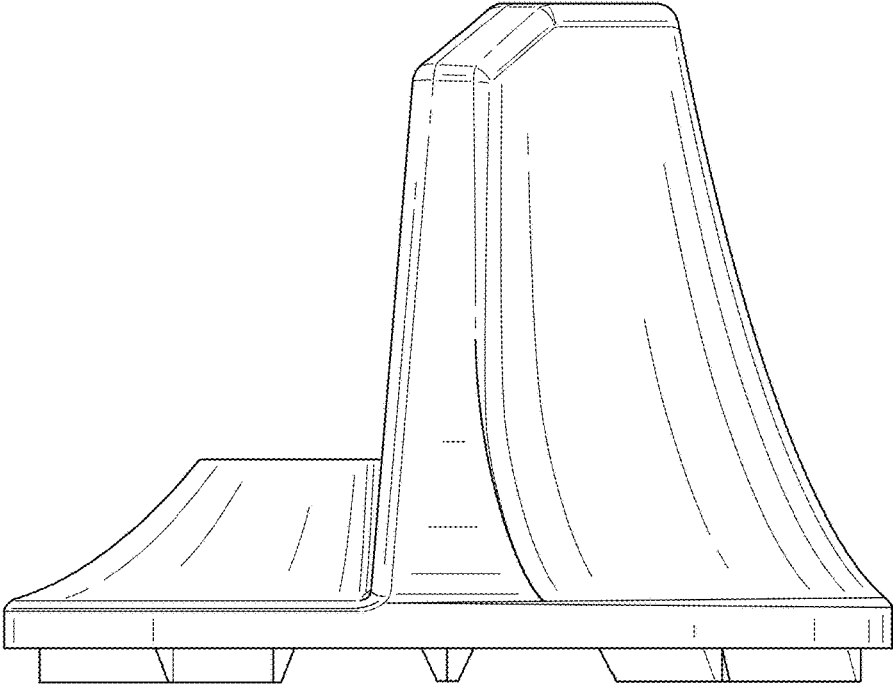


FIG. 5

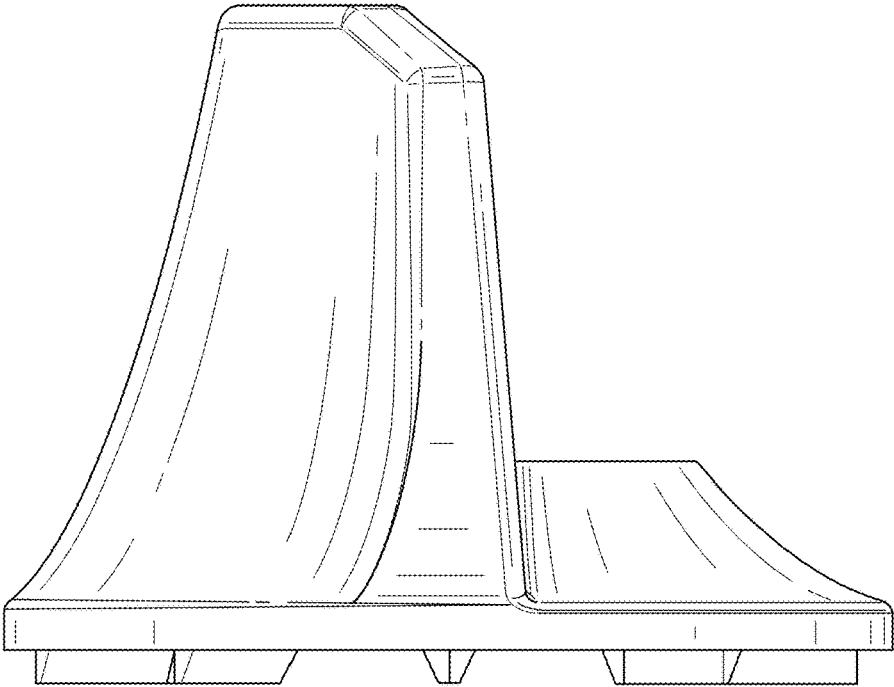


FIG. 6

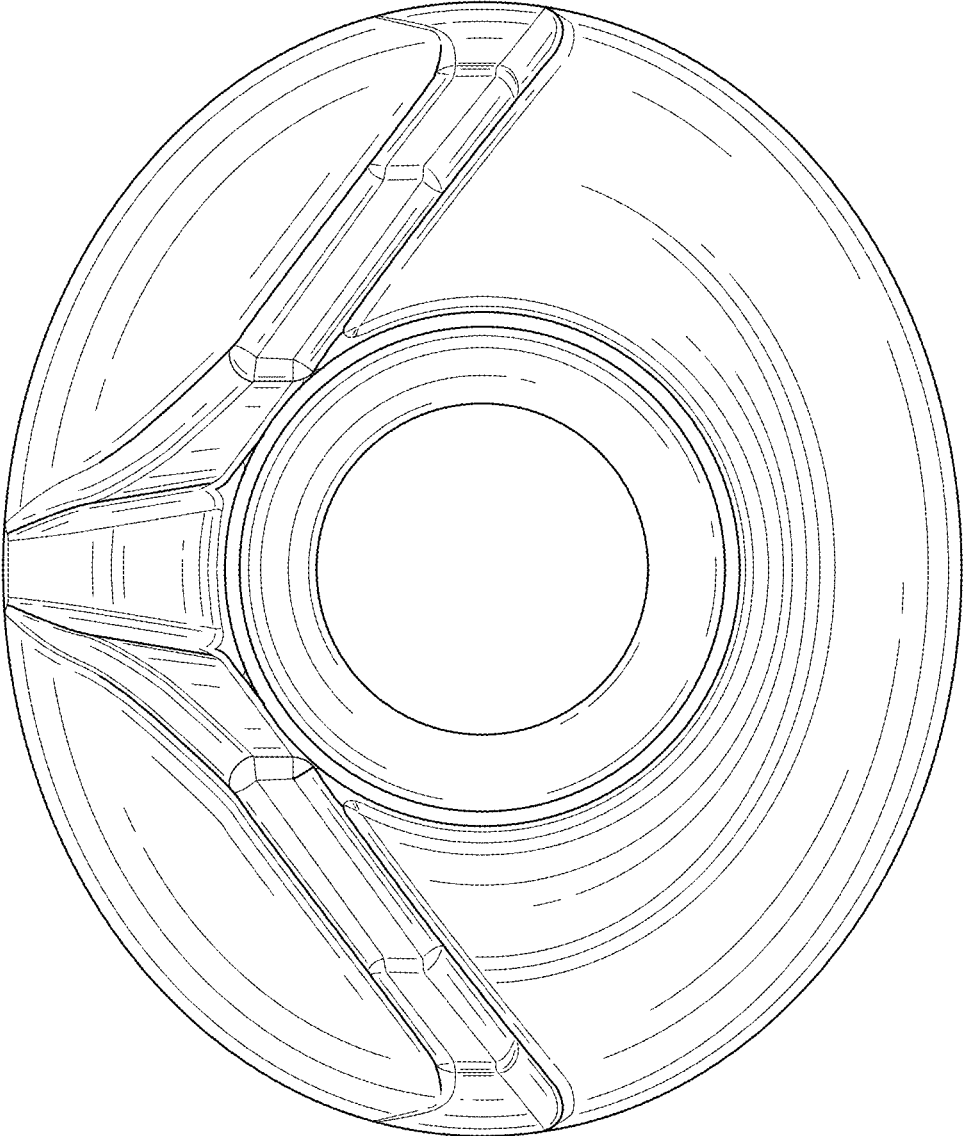


FIG. 7

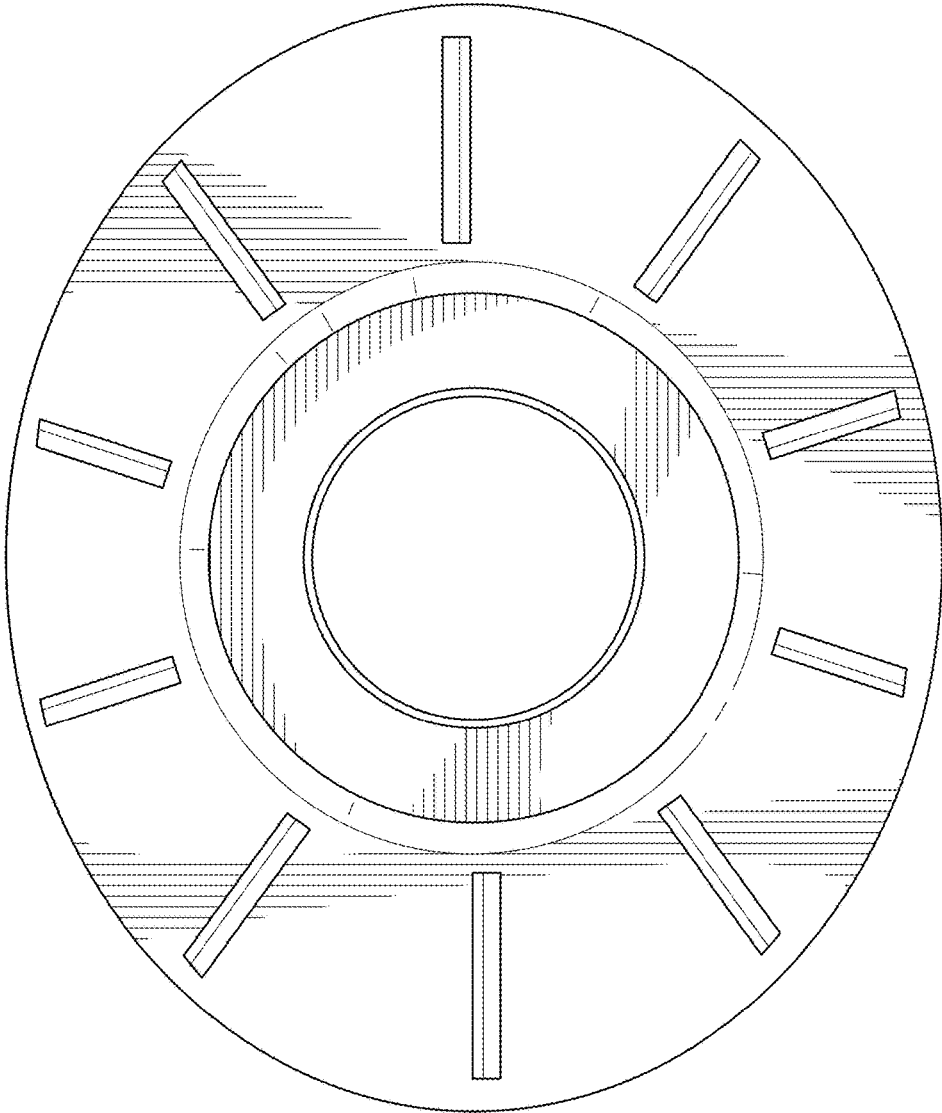


FIG. 8

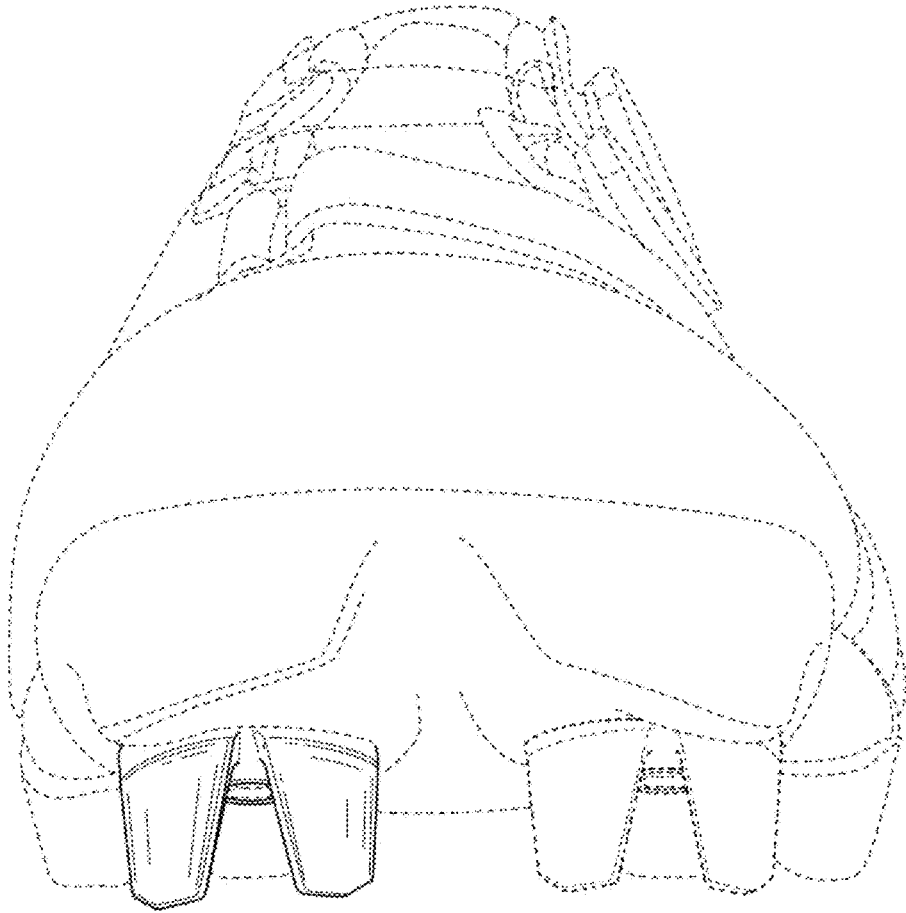


FIG. 9

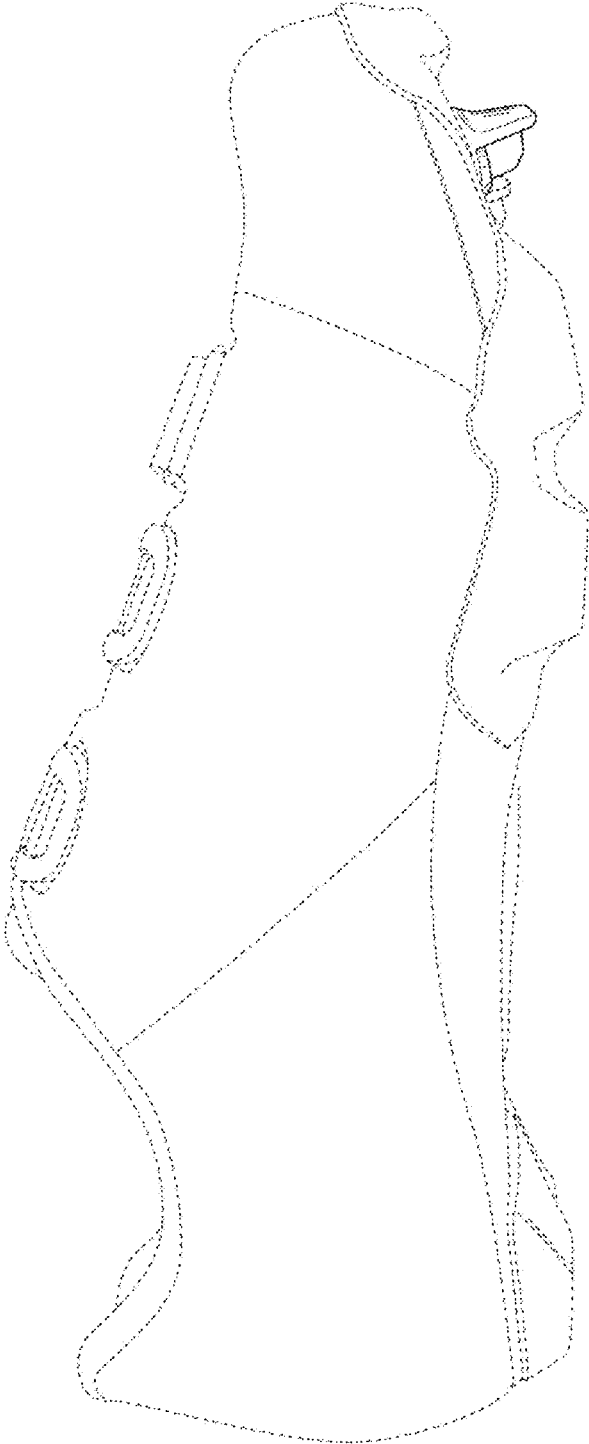


FIG. 10

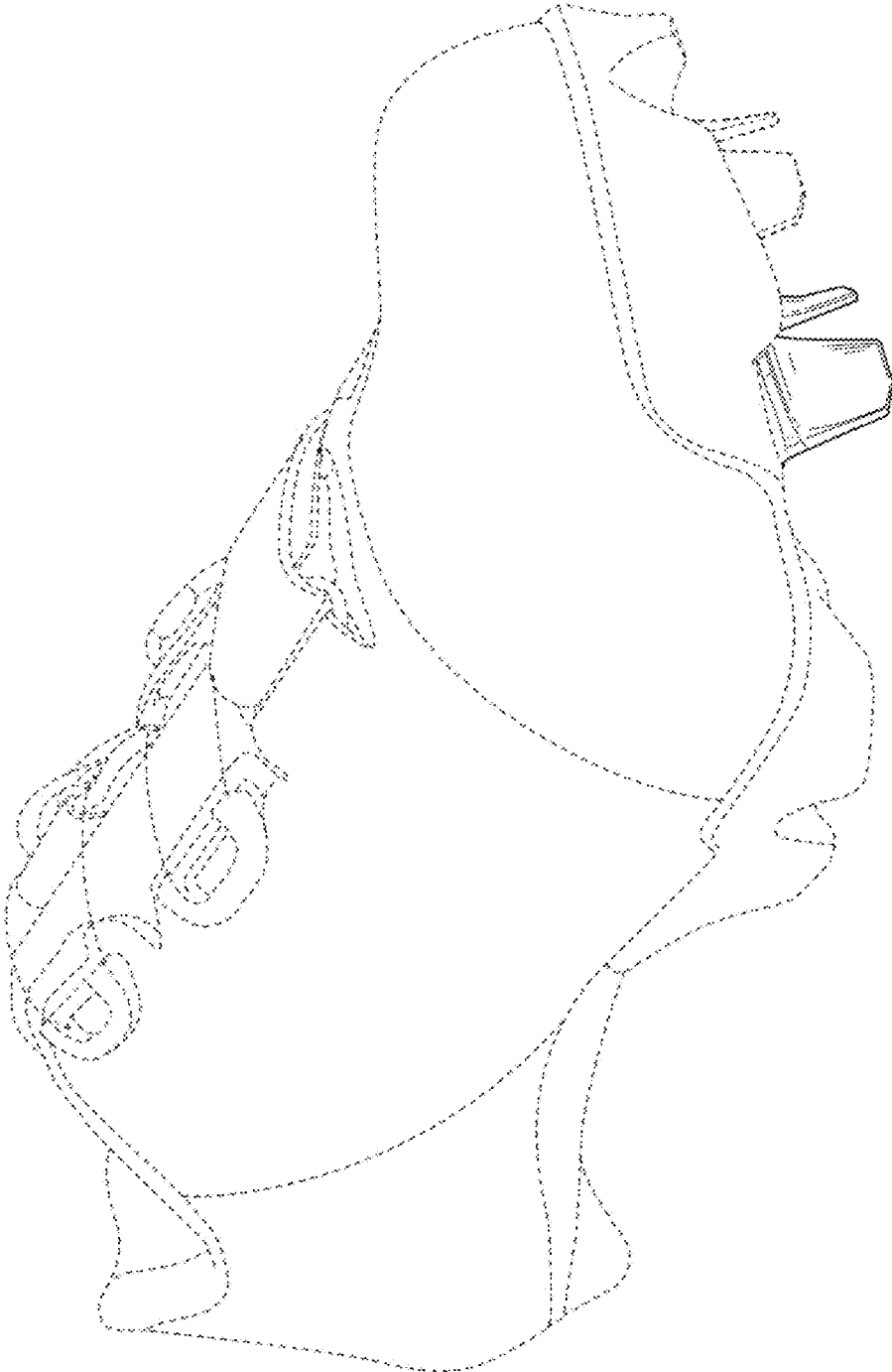


FIG. 17