

(19) World Intellectual Property  
Organization  
International Bureau



(43) International Publication Date  
28 July 2005 (28.07.2005)

PCT

(10) International Publication Number  
**WO 2005/067366 A3**

(51) International Patent Classification<sup>7</sup>: **C22B 15/00**,  
23/02, 5/14

(21) International Application Number:  
PCT/FI2005/000010

(22) International Filing Date: 10 January 2005 (10.01.2005)

(25) Filing Language: English

(26) Publication Language: English

(30) Priority Data:  
20040046 15 January 2004 (15.01.2004) FI

(71) Applicant (for all designated States except US): **OUT-OKUMPU TECHNOLOGY OY** [FI/FI]; Riihitontuntie 7, FI-02200 Espoo (FI).

(72) Inventor; and

(75) Inventor/Applicant (for US only): **KOJO, Ilkka** [FI/FI]; Kaksosmäki 11 C 9, FI-02400 Kirkkonummi (FI).

(74) Agent: **OUTOKUMPU TECHNOLOGY OY**; Intellectual Property Rights Management, P.O. Box 86, FI-02201 Espoo (FI).

(81) Designated States (unless otherwise indicated, for every kind of national protection available): AE, AG, AL, AM, AT, AU, AZ, BA, BB, BG, BR, BW, BY, BZ, CA, CH, CN, CO, CR, CU, CZ, DE, DK, DM, DZ, EC, EE, EG, ES, FI, GB, GD, GE, GH, GM, HR, HU, ID, IL, IN, IS, JP, KE, KG, KP, KR, KZ, LC, LK, LR, LS, LT, LU, LV, MA, MD, MG, MK, MN, MW, MX, MZ, NA, NI, NO, NZ, OM, PG, PH, PL, PT, RO, RU, SC, SD, SE, SG, SK, SL, SM, SY, TJ, TM, TN, TR, TT, TZ, UA, UG, US, UZ, VC, VN, YU, ZA, ZM, ZW.

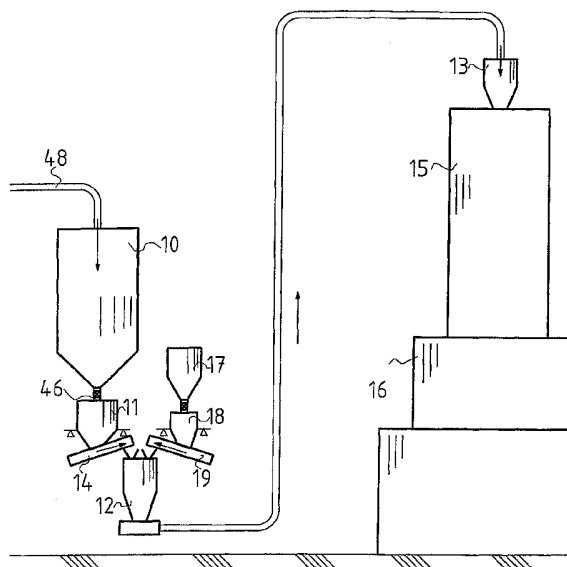
(84) Designated States (unless otherwise indicated, for every kind of regional protection available): ARIPO (BW, GH, GM, KE, LS, MW, MZ, NA, SD, SL, SZ, TZ, UG, ZM, ZW), Eurasian (AM, AZ, BY, KG, KZ, MD, RU, TJ, TM), European (AT, BE, BG, CH, CY, CZ, DE, DK, EE, ES, FI, FR, GB, GR, HU, IE, IS, IT, LT, LU, MC, NL, PL, PT, RO, SE, SI, SK, TR), OAPI (BF, BJ, CF, CG, CI, CM, GA, GN, GQ, GW, ML, MR, NE, SN, TD, TG).

**Declarations under Rule 4.17:**

— as to applicant's entitlement to apply for and be granted a patent (Rule 4.17(ii)) for the following designations AE, AG, AL, AM, AT, AU, AZ, BA, BB, BG, BR, BW, BY, BZ, CA, CH, CN, CO, CR, CU, CZ, DE, DK, DM, DZ, EC, EE,

[Continued on next page]

(54) Title: SUPPLY SYSTEM FOR SUSPENSION SMELTING FURNACE



(57) Abstract: A supply system for providing a suspension smelting furnace with constant and continuous feed is disclosed. The installation of the invention comprises intermediate storage bins for fine-grained feed, a feed rate controller for accurately controlling the feed rate of the fine-grained material, and a pneumatic conveyor for lifting the feed up to the top level of the suspension smelting furnace where the burner of the furnace is adapted. In the installation, the heavy constructions of the storage bins are located close to the ground level and the constructions around and on top of the furnace have been designed essentially lighter than in conventional solutions.

WO 2005/067366 A3



EG, ES, FI, GB, GD, GE, GH, GM, HR, HU, ID, IL, IN, IS, JP, KE, KG, KP, KR, KZ, LC, LK, LR, LS, LT, LU, LV, MA, MD, MG, MK, MN, MW, MX, MZ, NA, NI, NO, NZ, OM, PG, PH, PL, PT, RO, RU, SC, SD, SE, SG, SK, SL, SM, SY, TJ, TM, TN, TR, TT, TZ, UA, UG, UZ, VC, VN, YU, ZA, ZM, ZW, ARIPO patent (BW, GH, GM, KE, LS, MW, MZ, NA, SD, SL, SZ, TZ, UG, ZM, ZW), Eurasian patent (AM, AZ, BY, KG, KZ, MD, RU, TJ, TM), European patent (AT, BE, BG, CH, CY, CZ, DE, DK, EE, ES, FI, FR, GB, GR, HU, IE, IS, IT, LT, LU, MC, NL, PL, PT, RO, SE, SI, SK, TR), OAPI patent (BF, BJ, CF, CG, CI, CM, GA, GN, GQ, GW, ML, MR, NE, SN, TD, TG)

— of inventorship (Rule 4.17(iv)) for US only

**Published:**

— with international search report

**(88) Date of publication of the international search report:**

8 December 2005

*For two-letter codes and other abbreviations, refer to the "Guidance Notes on Codes and Abbreviations" appearing at the beginning of each regular issue of the PCT Gazette.*

## INTERNATIONAL SEARCH REPORT

International application No.  
PCT/FI 2005/000010

## A. CLASSIFICATION OF SUBJECT MATTER

IPC7: C22B 15/00, C22B 23/02, C22B 5/14  
According to International Patent Classification (IPC) or to both national classification and IPC

## B. FIELDS SEARCHED

Minimum documentation searched (classification system followed by classification symbols)

IPC7: C22B, F27D, C21C, B65G

Documentation searched other than minimum documentation to the extent that such documents are included in the fields searched

SE,DK,FI,NO classes as above

Electronic data base consulted during the international search (name of data base and, where practicable, search terms used)

EPO-INTERNAL, WPI DATA, PAJ

## C. DOCUMENTS CONSIDERED TO BE RELEVANT

Category*	Citation of document, with indication, where appropriate, of the relevant passages	Relevant to claim No.
X	US 6001148 A (TETSUO OKAMOTO ET AL), 14 December 1999 (14.12.1999), figures 1,5, abstract --	1-14
Y	US 3796568 A (A.G. SZEKELY ET AL), 12 March 1974 (12.03.1974), figure 1, claim 1 --	1-14
Y	DE 3201608 A1 (DANIELI & C. OFFICINE MECCANICHE S.P.A.), 2 Sept 1982 (02.09.1982), figure 1, abstract --	1-14

 Further documents are listed in the continuation of Box C. See patent family annex.

\* Special categories of cited documents:

"A" document defining the general state of the art which is not considered to be of particular relevance

"E" earlier application or patent but published on or after the international filing date

"L" document which may throw doubts on priority claim(s) or which is cited to establish the publication date of another citation or other special reason (as specified)

"O" document referring to an oral disclosure, use, exhibition or other means

"P" document published prior to the international filing date but later than the priority date claimed

"T" later document published after the international filing date or priority date and not in conflict with the application but cited to understand the principle or theory underlying the invention

"X" document of particular relevance: the claimed invention cannot be considered novel or cannot be considered to involve an inventive step when the document is taken alone

"Y" document of particular relevance: the claimed invention cannot be considered to involve an inventive step when the document is combined with one or more other such documents, such combination being obvious to a person skilled in the art

"&amp;" document member of the same patent family

Date of the actual completion of the international search

14 Sept 2005

Date of mailing of the international search report

20-09-2005

Name and mailing address of the ISA/

Swedish Patent Office  
Box 5055, S-102 42 STOCKHOLM  
Facsimile No. +46 8 666 02 86

Authorized officer

Mårten Hulthén/MP  
Telephone No. +46 8 782 25 00

## INTERNATIONAL SEARCH REPORT

International application No.

PCT/FI 2005/000010

C (Continuation). DOCUMENTS CONSIDERED TO BE RELEVANT		
Category*	Citation of document, with indication, where appropriate, of the relevant passages	Relevant to claim No.
A	US 5445363 A (JORGE O. BECERRA-NOVOA ET AL), 29 August 1995 (29.08.1995), column 5, line 35 - line 44; column 6, line 9 - line 21  --	1-14
A	File EPODOC/EPO, DOWA MINING CO et al: "Treatment of fine raw material in copper smelting" JP6212298 A, 02 August 1994 (1994-08-02)  --	1-14
A	US 6238457 B1 (ISMO HOLMI ET AL), 29 May 2001 (29.05.2001), claim 1, abstract  --	1-14
A	WO 0073519 A1 (OUTOKUMPU OYJ), 7 December 2000 (07.12.2000), abstract  --	1-14
A	US 4490170 A (LAUNO L. LILJA ET AL), 25 December 1984 (25.12.1984), column 4, line 66 - column 5, line 3, figures 1-2, abstract  --	1-14
A	US 4555387 A (BRUCE J. SABACKY ET AL), 26 November 1985 (26.11.1985), figure 6, abstract  -- -----	1-14

## INTERNATIONAL SEARCH REPORT

Information on patent family members

31/08/2005

International application No.

PCT/FI 2005/000010

US	6001148	A	14/12/1999	DE	19720420 A	20/11/1997
				JP	9310126 A	02/12/1997
-----						
US	3796568	A	12/03/1974	AU	473519 B	27/06/1974
				AU	5048872 A	27/06/1974
				CA	983724 A	17/02/1976
				JP	986725 C	21/02/1980
				JP	48078021 A	19/10/1973
				JP	54019373 B	14/07/1979
				PH	10860 A	16/09/1977
				ZA	7208336 A	25/07/1973
				ZM	19572 A	21/08/1973
-----						
DE	3201608	A1	02/09/1982	IT	1147487 B	19/11/1986
				IT	8183308 D	00/00/0000
-----						
US	5445363	A	29/08/1995	US	5296015 A	22/03/1994
				EP	0629708 A	21/12/1994
-----						
US	6238457	B1	29/05/2001	AU	730365 B	08/03/2001
				AU	4461797 A	24/04/1998
				BR	9712175 A	31/08/1999
				CA	2267296 A	09/04/1998
				CN	1113213 B,C	02/07/2003
				CN	1232538 A	20/10/1999
				DE	19782044 T	26/04/2001
				ES	2168932 A,B	16/06/2002
				FI	100889 B	00/00/0000
				FI	963932 D	00/00/0000
				ID	21552 A	00/00/0000
				JP	2001501294 T	30/01/2001
				KR	2000048734 A	25/07/2000
				PL	183755 B	31/07/2002
				PL	332671 A	27/09/1999
				RU	2198364 C	10/02/2003
				SE	517103 C	16/04/2002
				SE	9901200 A	31/05/1999
				TR	9900761 T	00/00/0000
				WO	9814741 A	09/04/1998
				ZA	9708694 A	26/03/1998

## INTERNATIONAL SEARCH REPORT

Information on patent family members

31/08/2005

International application No.

PCT/FI 2005/000010

WO	0073519	A1	07/12/2000	AU	775396	B	29/07/2004
				AU	4571300	A	18/12/2000
				BG	64395	B	30/12/2004
				BG	106131	A	31/05/2002
				BR	0011079	A	19/03/2002
				CA	2374888	A	07/12/2000
				CN	1353771	A,T	12/06/2002
				DE	60015391	D	00/00/0000
				EA	3004	B	00/00/0000
				EP	1242639	A,B	25/09/2002
				SE	1242639	T3	
				ES	2228516	T	16/04/2005
				FI	105828	B	00/00/0000
				FI	991226	D	00/00/0000
				JP	2003500627	T	07/01/2003
				MX	PA01011774	A	24/04/2002
				PL	351867	A	30/06/2003
				PT	1242639	T	28/02/2005
				TR	200103379	T	00/00/0000
				US	6565799	B	20/05/2003
				ZA	200109325	A	18/06/2002
-----							
US	4490170	A	25/12/1984	CA	1198593	A	31/12/1985
				DE	3241277	A,C	01/06/1983
				FI	63780	B,C	29/04/1983
				JP	1357006	C	13/01/1987
				JP	58109129	A	29/06/1983
				JP	61026413	B	20/06/1986
-----							
US	4555387	A	26/11/1985	NONE			
-----							