



INTERNATIONAL APPLICATION PUBLISHED UNDER THE PATENT COOPERATION TREATY (PCT)

<p>(51) International Patent Classification ⁵ : A61M 16/00</p>	<p>A1</p>	<p>(11) International Publication Number: WO 92/13587 (43) International Publication Date: 20 August 1992 (20.08.92)</p>
--	------------------	---

(21) International Application Number: PCT/GB92/00242
 (22) International Filing Date: 11 February 1992 (11.02.92)
 (30) Priority data:
 9102821.7 11 February 1991 (11.02.91) GB
 (71)(72) Applicant and Inventor: BRAIN, Archibald, Ian, Jeremy [GB/GB]; The Studio, St. Andrews, Abney Court Drive, Bourne End, Bucks SL8 5DL (GB).
 (74) Agents: DRIVER, Virginia, Rozanne et al.; Page White & Farrer, 54 Doughty Street, London WC1N 2LS (GB).

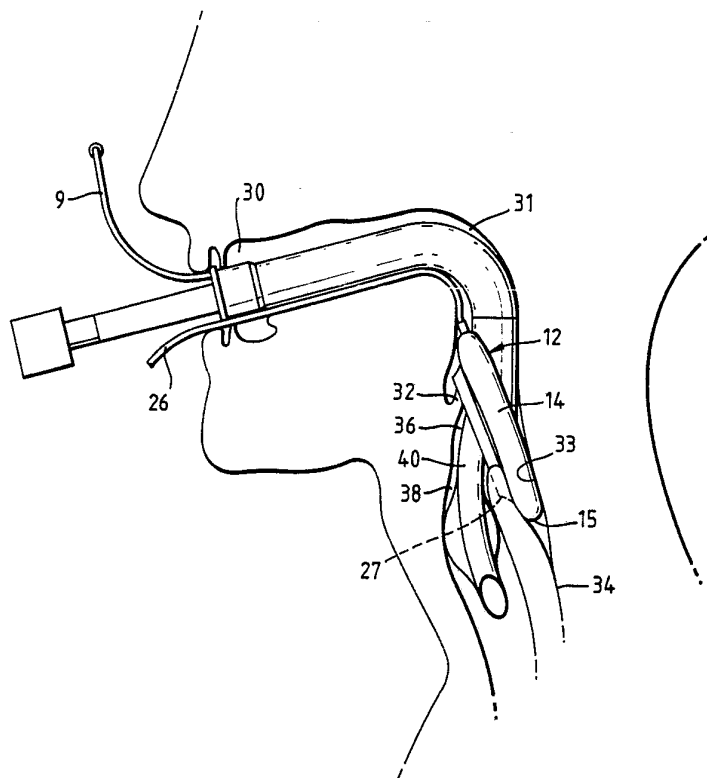
(81) Designated States: AT, AT (European patent), AU, BB, BE (European patent), BF (OAPI patent), BG, BJ (OAPI patent), BR, CA, CF (OAPI patent), CG (OAPI patent), CH, CH (European patent), CI (OAPI patent), CM (OAPI patent), CS, DE, DE (European patent), DK, DK (European patent), ES, ES (European patent), FI, FR (European patent), GA (OAPI patent), GB, GB (European patent), GN (OAPI patent), GR (European patent), HU, IT (European patent), JP, KP, KR, LK, LU, LU (European patent), MC (European patent), MG, ML (OAPI patent), MN, MR (OAPI patent), MW, NL, NL (European patent), NO, PL, RO, RU, SD, SE, SE (European patent), SN (OAPI patent), TD (OAPI patent), TG (OAPI patent), US.

Published
With international search report.

(54) Title: ARTIFICIAL AIRWAY DEVICE

(57) Abstract

An artificial airway device to facilitate lung ventilation in an unconscious patient comprises a rigid airway tube (10), which is curved to follow the airway of the patient, opening into the interior space or lumen of a mask portion (12) whose periphery (14) is adapted to seal around the inlet (36) to the larynx (38), and a rigid handle (9) mounted at the outer end of the airway tube (10) and curved away from the mouth of the airway tube (10).



FOR THE PURPOSES OF INFORMATION ONLY

Codes used to identify States party to the PCT on the front pages of pamphlets publishing international applications under the PCT.

AT	Austria	FI	Finland	ML	Mali
AU	Australia	FR	France	MN	Mongolia
BB	Barbados	GA	Gabon	MR	Mauritania
BE	Belgium	GB	United Kingdom	MW	Malawi
BF	Burkina Faso	GN	Guinea	NL	Netherlands
BG	Bulgaria	GR	Greece	NO	Norway
BJ	Benin	HU	Hungary	PL	Poland
BR	Brazil	IE	Ireland	RO	Romania
CA	Canada	IT	Italy	RU	Russian Federation
CF	Central African Republic	JP	Japan	SD	Sudan
CG	Congo	KP	Democratic People's Republic of Korea	SE	Sweden
CH	Switzerland	KR	Republic of Korea	SN	Senegal
CI	Côte d'Ivoire	LI	Liechtenstein	SU	Soviet Union
CM	Cameroon	LK	Sri Lanka	TD	Chad
CS	Czechoslovakia	LU	Luxembourg	TG	Togo
DE	Germany	MC	Monaco	US	United States of America
DK	Denmark	MG	Madagascar		
ES	Spain				

Title of the InventionARTIFICIAL AIRWAY DEVICEField of the Invention

The present invention relates to an artificial airway device of the type capable of facilitating ventilation in unconscious patients, and more specifically to such a device designed for placing in the oropharynx of the patient in order to prevent airway obstruction and to permit ventilation.

Background to the Invention

British Patent Publications Nos. 2 111 394 A and 2 229 367 A describe artificial airway devices capable of facilitating lung ventilation in an unconscious patient, referred to hereinafter as "laryngeal masks". The insertion of a laryngeal mask needs to be undertaken by persons practised in the use of the mask and is not so effective in emergency situations where untrained personnel may be called to a patient. Furthermore, these devices suffer from the limitation that they do not offer the same degree of protection against aspiration of regurgitated gastric contents into the lungs as does an endotracheal tube. The latter device has long been established as the most reliable means of preventing such aspiration in the unconscious patient and consists of a tube with an inflatable cuff, inflation of which forms a seal against the wall of the trachea. The laryngeal mask by contrast forms a seal around the perimeter of the larynx by means of an inflatable elliptical cuff. The seal so formed depends on pressure against muscular structures which may by their contraction or relaxation influence this pressure, thus making the seal variable. Hence, the degree of protection against aspiration already afforded by the laryngeal mask would be enhanced by

allowing intubation with an endotracheal tube, with the laryngeal mask in place. Attempts have been made to intubate through the airway tube of a conventional laryngeal mask and this has been found to be effective. However, only a small diameter endotracheal tube can be passed through the mask. Moreover, as the airway tube is flexible, the operation is awkward and not entirely suited to emergency procedures.

Summary of the Invention

According to one aspect of the present invention, there is provided an artificial airway device to facilitate lung ventilation in an unconscious patient, comprising a substantially rigid airway tube and a mask attached to an end of the airway tube, the mask having an annular peripheral formation of roughly elliptical shape capable of conforming to, or readily fitting within, the actual and potential space behind the larynx so as to form a seal around the circumference of the laryngeal inlet without the device penetrating into the interior of the larynx, the annular peripheral formation surrounding a hollow interior space or lumen of the mask into which the airway tube opens, in which said airway tube is curved to follow the airway of a patient, and said device further comprises a substantially rigid handle portion mounted to an end of the airway tube remote from the mask and extending in a direction away from the mouth of said airway tube.

In the preferred embodiment, the handle portion curves in a direction opposite to the direction of curvature of the airway tube, for example to form an S shape. This shape allows a person to insert a laryngeal mask into a patient quickly and effectively.

The handle portion can be removably mounted to the airway tube so that it can be detached after being used to guide the laryngeal mask into place. This has the advantage that the mask can be left in place in a patient without impeding medical attention.

The mask may include a stiff back piece surrounded by the annular peripheral portion. This assists in allowing the larynx to be pulled forward by manipulating the handle portion to enable regurgitated stomach contents to be released and to increase the seal of the annular peripheral formation against the laryngeal inlet.

The diameter of the airway tube can be such as to allow an endotracheal tube to be inserted through the tube to intubate a patient while the handle portion is braced manually. The inventor has found that in this way it is possible to use a laryngeal mask as a guiding tool to facilitate passage of a normal diameter endotracheal tube into the trachea. This is feasible because the aperture in the laryngeal mask when correctly in position faces directly into the laryngeal orifice. By passing a well lubricated endotracheal tube and cuff through the tube of the laryngeal mask, it is thus possible to perform blind intubation whilst still ventilating the unconscious patient through the laryngeal mask.

The end of the airway tube remote from the mask may comprise a connecting portion for connection of the airway tube to a ventilation apparatus. This can enable a patient to be ventilated with or without intubation.

The device may include a bite portion adjacent the end of the airway tube remote from the mask for protecting the teeth of the patient.

The airway tube and the handle portion may be of stainless steel.

Brief Description of the Drawings

FIGURE 1 shows a laryngeal mask airway according to an embodiment of the present invention;

FIGURE 2 shows a plan view of the laryngeal mask portion of the embodiment shown in Figure 1;

FIGURE 3 shows a laryngeal mask according to an embodiment of the present invention in use in a patient;

FIGURE 4 shows an alternative laryngeal mask airway according to the present invention.

Description of the Preferred Embodiments

Specific embodiments of the present invention will now be described by way of example with reference to the accompanying drawings.

Figure 1 shows a laryngeal mask 12 made of silicone and mounted to a stainless steel airway tube 10. The airway tube 10 is bonded by means such as ribbing and/or adhesives to a breathing tube port 22 of the laryngeal mask 12. The laryngeal mask is known per se from GB 2111394 and 2229367 the contents of which are incorporated herein by reference. Only those aspects of the mask required to explain the present invention are described herein. The airway 10 is of sufficient diameter to accommodate an 8mm cuffed endotracheal tube. The airway tube 10 is bent around a curve having a curvature angle of approximately 90° in such a way as to fit around the curvature at the back of the tongue. At its outer end 10a the tube widens and incorporates a flange 11 made of a material which will withstand biting without being hard enough to damage the patient's teeth. A handle 9 is securely mounted to the outer end 10a of the tube 10, the

handle 9 being curved in the opposite direction to the tube 10. The handle 9 can be fixed to the airway tube 10 or can be removably mounted through slots or the like.

Figure 2 shows details of the laryngeal mask 12 in plan view.

The mask 12 is of flexible rubber sheet material having an inflatable tubular ring 14 of the same silicone rubber material forming its periphery. The peripheral ring 14 is roughly elliptical in plan although its distal end 15 may be slightly elongated to conform with the triangular shape of the base of the hypopharynx where it becomes continuous with the upper end of the oesophagus. The peripheral ring 14 includes a port 24 for connection to a rubber tube 26 of narrow diameter, through which the peripheral ring 14 may be inflated.

The breathing tube port 22 opens into an aperture 19 in the mask, which is provided with cross-bars 21 extending across the aperture, which prevents the epiglottis from falling into the aperture and obstructing the airway. The aperture 19 opens into a lumen 18 or hollow interior of the mask. The lumen 18 is surrounded by a soft flexible upstanding collar 27, of flexible sheet rubber material, adhered at its base to the peripheral ring 14 so that its free end extends away from the lumen 18 of the mask.

The lumen 18 is enclosed at the back of the mask by a back-piece (not shown). The back-piece can be made of stiff material such as a high grade silicone.

To insert the laryngeal mask airway, the peripheral ring 14 is fully deflated and the device is inserted by means of the handle 9 through the patient's mouth 30 and through the throat 31 past the epiglottis 32 until the mask 12

comes to rest in the position shown in Figure 3 with the distal end 15 of the ring 14 in the base 33 of the throat. The ring 14 is then inflated to increase the sealing pressure around the inlet 36 to the larynx 38.

Intubation is then formed by passing a standard 8mm cuffed endotracheal tube 40 through the airway tube 10 and the aperture 19 into the larynx 38. The device is braced against the insertion of the endotracheal tube 40 by means of the handle 12. This enables insertion to be done blindly (i.e. without a laryngoscope). It thus makes the mask ideally suited to emergency conditions.

The breathing tube port 22 opens into the lumen 18 of the mask at the appropriate angle for guiding the endotracheal tube 40 into the larynx 48, thereby allowing blind intubation of the larynx 38. However, in a situation where the endotracheal tube does not pass into the larynx at the correct angle, the position of the mask 12 may be controlled by means of the handle 11 so that the correct angle of intubation is achieved.

The handle 9 also allows the mask 12 to be pulled forwards towards the larynx 38, thereby pulling the larynx 38 forwards to allow regurgitated stomach contents to be released while maintaining a tight seal around the inlet 36 of the larynx 38.

In an alternative embodiment of the present invention shown in Figure 4, a standard connector 50 is provided at the outer end of the airway tube 10 for attachment of conventional anaesthetic hosing and ventilation apparatus.

Thus, embodiments of the present invention enable blind intubation through a modified laryngeal mask with a tube such that:-

- a) The position of the laryngeal mask against the laryngeal orifice can be influenced by manipulation of a handle attached to the outer end of a rigid tube.
- b) The device can be positioned in the patient's pharynx using one hand only for insertion. This has advantages in the emergency situation where a patient may be trapped, for example in a crushed vehicle, making access difficult.
- c) The length of the airway tube can be comparatively short to facilitate the passing of a standard endotracheal tube, because of the addition of a handle for controlling the laryngeal mask airway.
- d) The airway tube is wide enough to accommodate an endotracheal tube of required diameter.

While the handle 9 and airway tube 10 are of stainless steel in the above embodiments, any rigid sterilisable material may alternatively be used.

Reference herein to actual and potential space behind the larynx will be understood to refer to the space normally available and that which can be become available on flexure of the surrounding structures.

CLAIMS:

1. An artificial airway device to facilitate lung ventilation in an unconscious patient, comprising a substantially rigid airway tube and a mask attached to an end of the airway tube, the mask having an annular peripheral formation of roughly elliptical shape capable of conforming to, or readily fitting within, the actual and potential space behind the larynx so as to form a seal around the circumference of the laryngeal inlet without the device penetrating into the interior of the larynx, the annular peripheral formation surrounding a hollow interior space or lumen of the mask into which the airway tube opens, in which said airway tube is curved to follow the airway of a patient, and said device further comprises a substantially rigid handle portion mounted to an end of the airway tube remote from the mask and extending in a direction away from the curve of said airway tube.

2. An artificial airway device as claimed in claim 1 wherein the handle portion curves in a direction opposite to the curvature of the airway tube.

3. An artificial airway device as claimed in claim 1 or 2, in which the annular peripheral formation carries a soft, flexible, upstanding collar surrounding the lumen of the mask so as to improve the sealing contact with the tissues around the circumference of the laryngeal inlet.

4. An artificial airway device as claimed in claim 1, 2 or 3, in which the mask comprises a stiffened back piece surrounded by said annular peripheral portion.

5. An artificial airway device as claimed in any preceding claim, in which the end of the airway tube remote from the mask comprises a connecting portion for connection of the airway tube to ventilation apparatus.
6. An artificial airway device as claimed in any preceding claim, including a bite portion adjacent the end of the airway tube remote from the mask for protecting the teeth of the patient.
7. An artificial airway device as claimed in any preceding claim, in which the airway tube and the handle portion are of stainless steel.
8. An artificial airway device as claimed in any preceding claim wherein the handle portion is removably mounted to the airway tube.

Fig. 1.

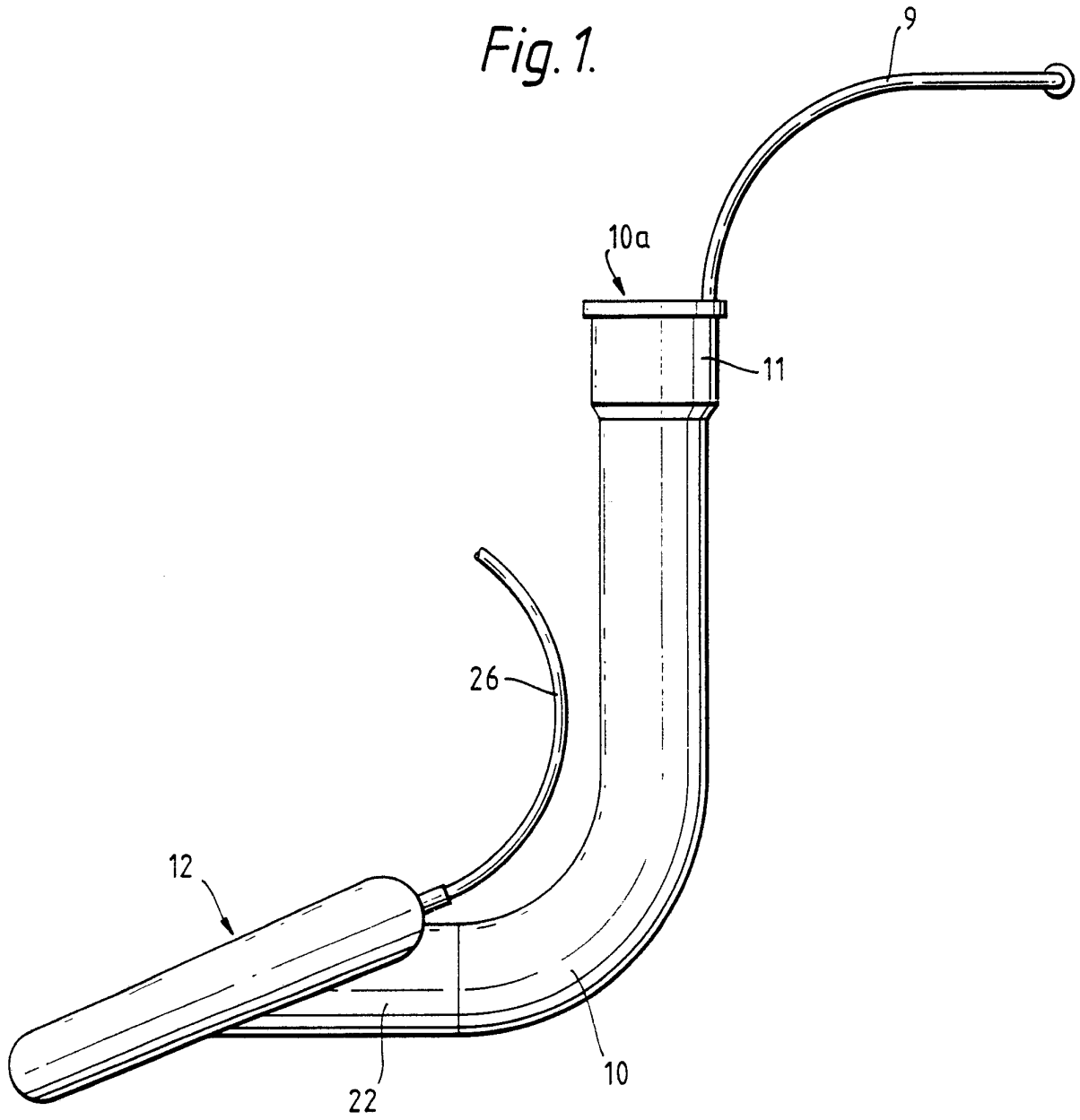
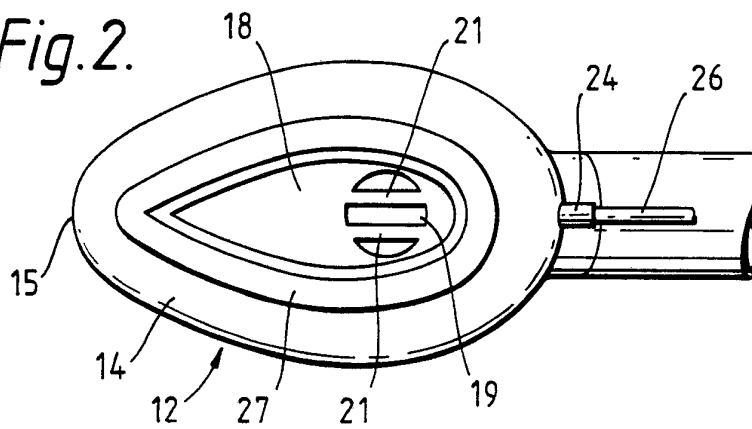
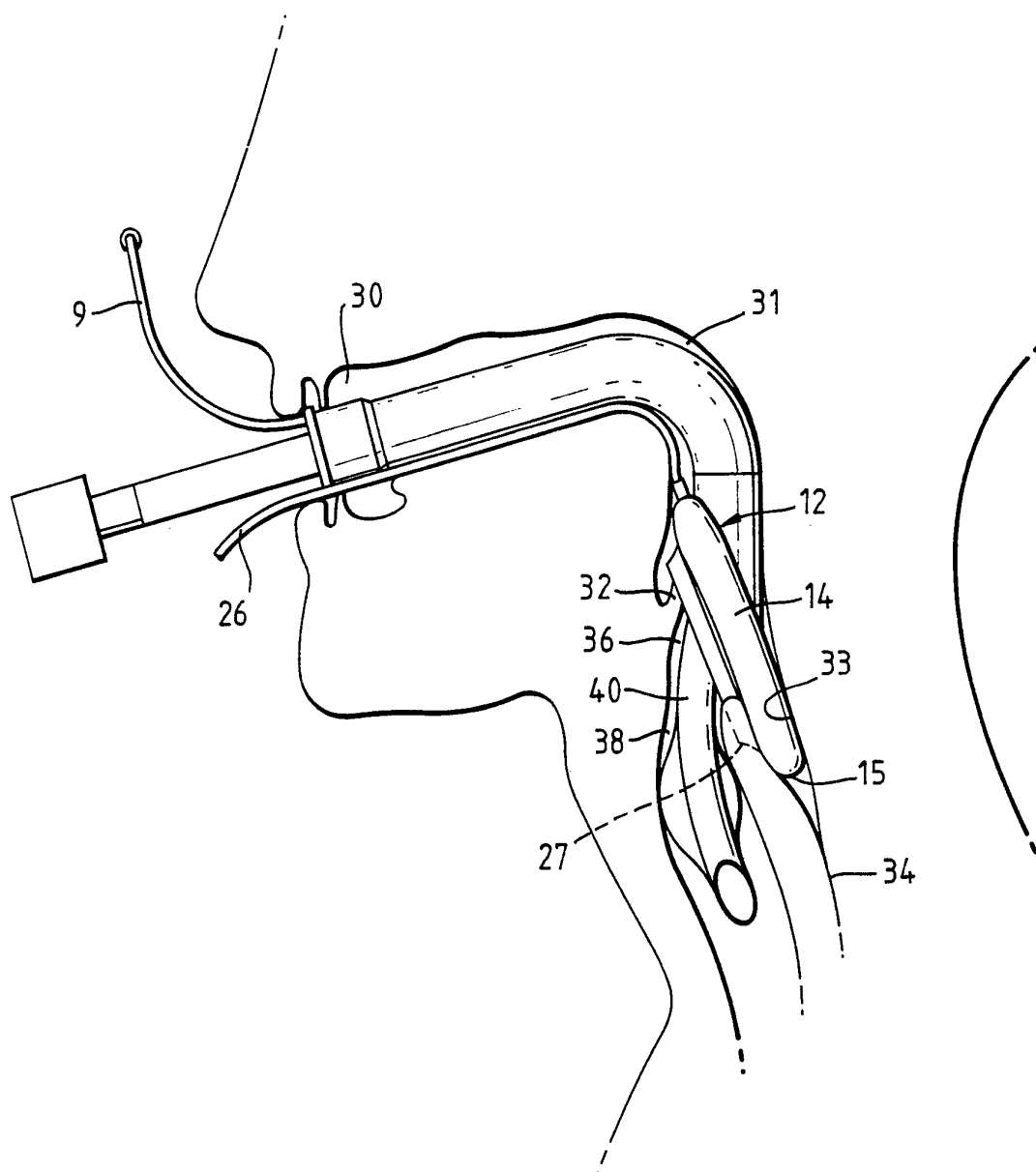


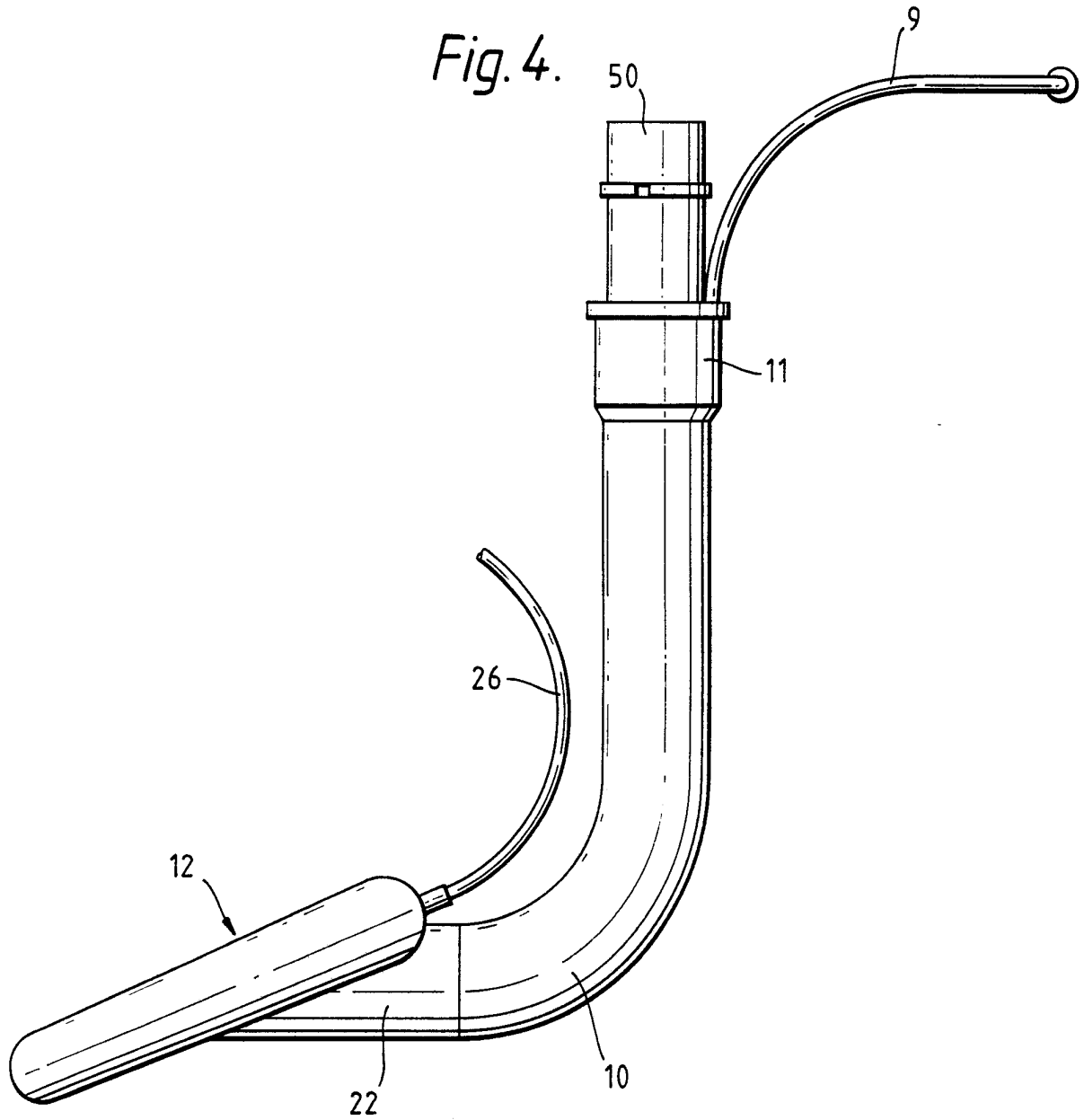
Fig. 2.



2/3

Fig. 3.

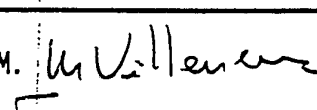




INTERNATIONAL SEARCH REPORT

International Application No.

PCT/GB 92/00242

I. CLASSIFICATION OF SUBJECT MATTER (if several classification symbols apply, indicate all) ⁶		
According to International Patent Classification (IPC) or to both National Classification and IPC Int.Cl. 5 A61M16/00		
II. FIELDS SEARCHED		
Minimum Documentation Searched ⁷		
Classification System	Classification Symbols	
Int.Cl. 5	A61M ; A61B	
Documentation Searched other than Minimum Documentation to the Extent that such Documents are Included in the Fields Searched ⁸		
III. DOCUMENTS CONSIDERED TO BE RELEVANT⁹		
Category ^o	Citation of Document, ¹¹ with indication, where appropriate, of the relevant passages ¹²	Relevant to Claim No. ¹³
Y	EP,A,0 389 272 (BRAIN) 26 September 1990 cited in the application see column 5, line 13 - column 6, line 23; figures ---	1-5
Y	US,A,4 553 540 (STRAITH) 19 November 1985 see column 4, line 29 - line 36 ---	1-5
A	US,A,4 449 526 (ELAM) 22 May 1984 see claims 21-23; figure 1 ---	1,2
A	FR,A,2 517 974 (BRAIN) 17 June 1983 cited in the application see page 4, paragraph 2 see page 5, last paragraph ---	1,5,7
A	GB,A,2 137 096 (MEDASIL LTD.) 3 October 1984 see abstract; figure 2 ---	6
-/--		
<p>^o Special categories of cited documents : ¹⁰</p> <p>"A" document defining the general state of the art which is not considered to be of particular relevance</p> <p>"E" earlier document but published on or after the international filing date</p> <p>"L" document which may throw doubts on priority claim(s) or which is cited to establish the publication date of another citation or other special reason (as specified)</p> <p>"O" document referring to an oral disclosure, use, exhibition or other means</p> <p>"P" document published prior to the international filing date but later than the priority date claimed</p> <p>"T" later document published after the international filing date or priority date and not in conflict with the application but cited to understand the principle or theory underlying the invention</p> <p>"X" document of particular relevance; the claimed invention cannot be considered novel or cannot be considered to involve an inventive step</p> <p>"Y" document of particular relevance; the claimed invention cannot be considered to involve an inventive step when the document is combined with one or more other such documents, such combination being obvious to a person skilled in the art.</p> <p>"&" document member of the same patent family</p>		
IV. CERTIFICATION		
Date of the Actual Completion of the International Search	Date of Mailing of this International Search Report	
22 APRIL 1992	28 APR 1992	
International Searching Authority	Signature of Authorized Officer	
EUROPEAN PATENT OFFICE	VILLENEUVE J.M. 	

III. DOCUMENTS CONSIDERED TO BE RELEVANT (CONTINUED FROM THE SECOND SHEET)		
Category °	Citation of Document, with indication, where appropriate, of the relevant passages	Relevant to Claim No.
A	EP,A,0 110 333 (UPHER) 13 June 1984 see claim 3; figure 2 ---	7

**ANNEX TO THE INTERNATIONAL SEARCH REPORT
ON INTERNATIONAL PATENT APPLICATION NO. GB 9200242
SA 56318**

This annex lists the patent family members relating to the patent documents cited in the above-mentioned international search report. The members are as contained in the European Patent Office EDP file on The European Patent Office is in no way liable for these particulars which are merely given for the purpose of information. 22/04/92

Patent document cited in search report	Publication date	Patent family member(s)	Publication date
EP-A-0389272	26-09-90	GB-A- 2229367	26-09-90
		AU-A- 5203690	27-09-90
		JP-A- 2283378	20-11-90
		US-A- 4995388	26-02-91

US-A-4553540	19-11-85	JP-A- 60048752	16-03-85

US-A-4449526	22-05-84	None	

FR-A-2517974	17-06-83	DE-A,C 3246673	18-08-83
		GB-A,B 2111394	06-07-83
		JP-B- 1027751	30-05-89
		JP-C- 1544941	15-02-90
		JP-A- 58109067	29-06-83
		US-A- 4509514	09-04-85

GB-A-2137096	03-10-84	None	

EP-A-0110333	13-06-84	US-A- 4337761	06-07-82
		US-A- 4527553	09-07-85
		EP-A,B 0030014	10-06-81
		US-A- 4437458	20-03-84
		US-A- 4517964	21-05-85
		US-A- 4592343	03-06-86
