



US00D511136S

(12) **United States Design Patent**
Hirschburger et al.

(10) **Patent No.:** **US D511,136 S**

(45) **Date of Patent:** **** Nov. 1, 2005**

(54) **PORTABLE BATTERY CHARGING AND AUDIO UNIT**

(75) Inventors: **Wolfgang Hirschburger**, Reutlingen (DE); **Randall Coe**, Chicago, IL (US); **Steven W. Cole, Jr.**, Chicago, IL (US); **Wing Hoi Ng**, Hong Kong (CN)

(73) Assignee: **Credo Technology Corporation**, Broadview, IL (US)

(**) Term: **14 Years**

(21) Appl. No.: **29/197,588**

(22) Filed: **Jan. 16, 2004**

(51) **LOC (8) Cl.** **13-02**

(52) **U.S. Cl.** **D13/107**

(58) **Field of Search** D13/106-108, D13/110; D14/188-189, 194-198, 204, 210, 251, 253; 320/105, 107-116; 455/347-351

(56) **References Cited**

U.S. PATENT DOCUMENTS

- D349,116 S * 7/1994 Peersmann D14/189
- 5,979,175 A * 11/1999 Ellison 62/457.7
- D418,836 S * 1/2000 Matt et al. D14/196
- 6,427,070 B1 * 7/2002 Smith 455/343.6
- D474,175 S * 5/2003 Furusho et al. D14/217
- D474,176 S * 5/2003 Furusho et al. D14/217

- D474,177 S * 5/2003 Furusho et al. D14/217
- D479,223 S * 9/2003 Furusho et al. D14/196
- D487,059 S * 2/2004 Glasgow et al. D13/107
- D499,612 S * 12/2004 Smith, Sr. D7/605
- 2003/0090234 A1 * 5/2003 Glasgow et al. 320/107
- 2003/0117107 A1 * 6/2003 Zick et al. 320/112

* cited by examiner

Primary Examiner—Alan P. Douglas

Assistant Examiner—Rosemary Tarcza

(74) *Attorney, Agent, or Firm*—Victor A. Henzi

(57) **CLAIM**

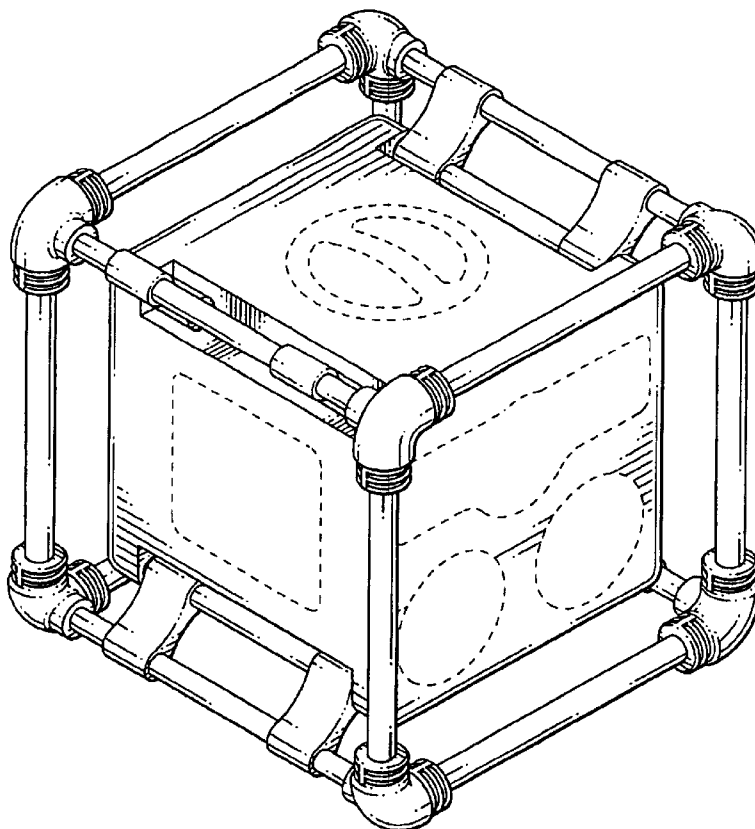
The ornamental design for a portable battery charging and audio unit, as shown and described.

DESCRIPTION

FIG. 1 is a front right perspective view of the present new design for a portable battery charging and audio unit; FIG. 2 is a front elevational view thereof, the rear elevational view being identical; FIG. 3 is a right elevational view thereof, the left elevational view being identical; and, FIG. 4 is a top plan view thereof, the bottom plan view being identical.

The broken lines showing various features of a portable battery charging and audio unit are for illustrative purposes only and form no part of the claimed design.

1 Claim, 4 Drawing Sheets



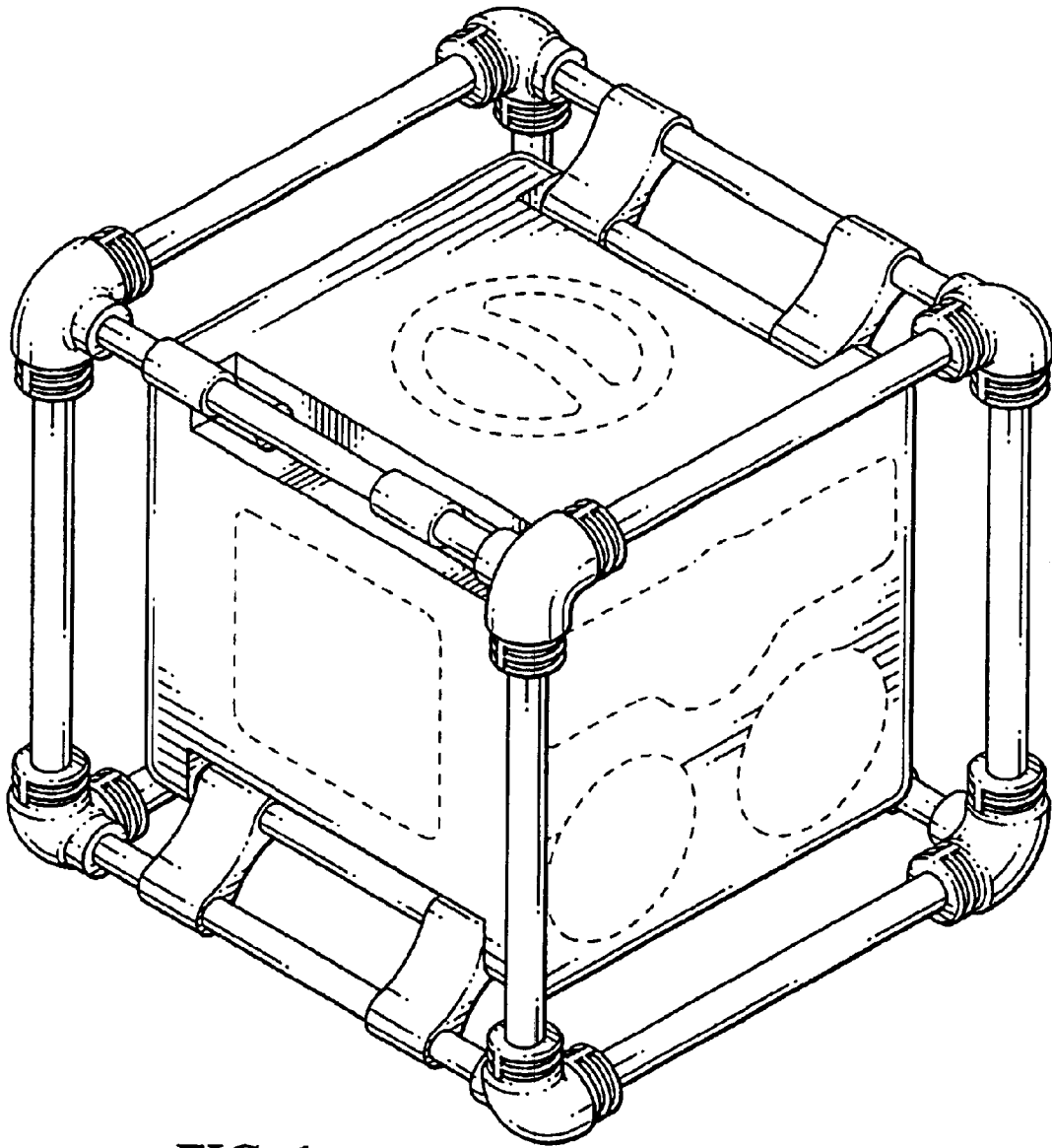


FIG. 1

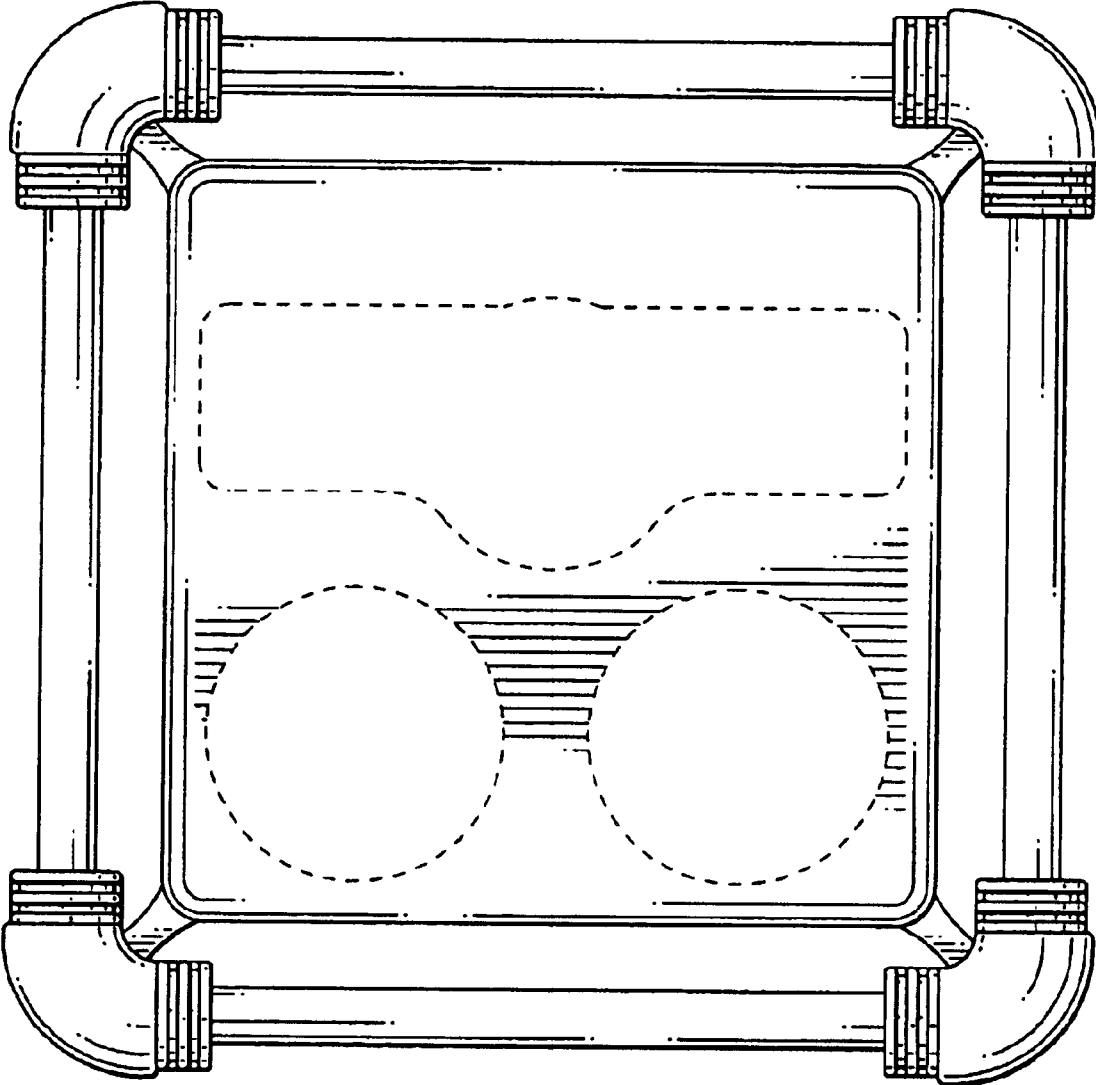


FIG. 2

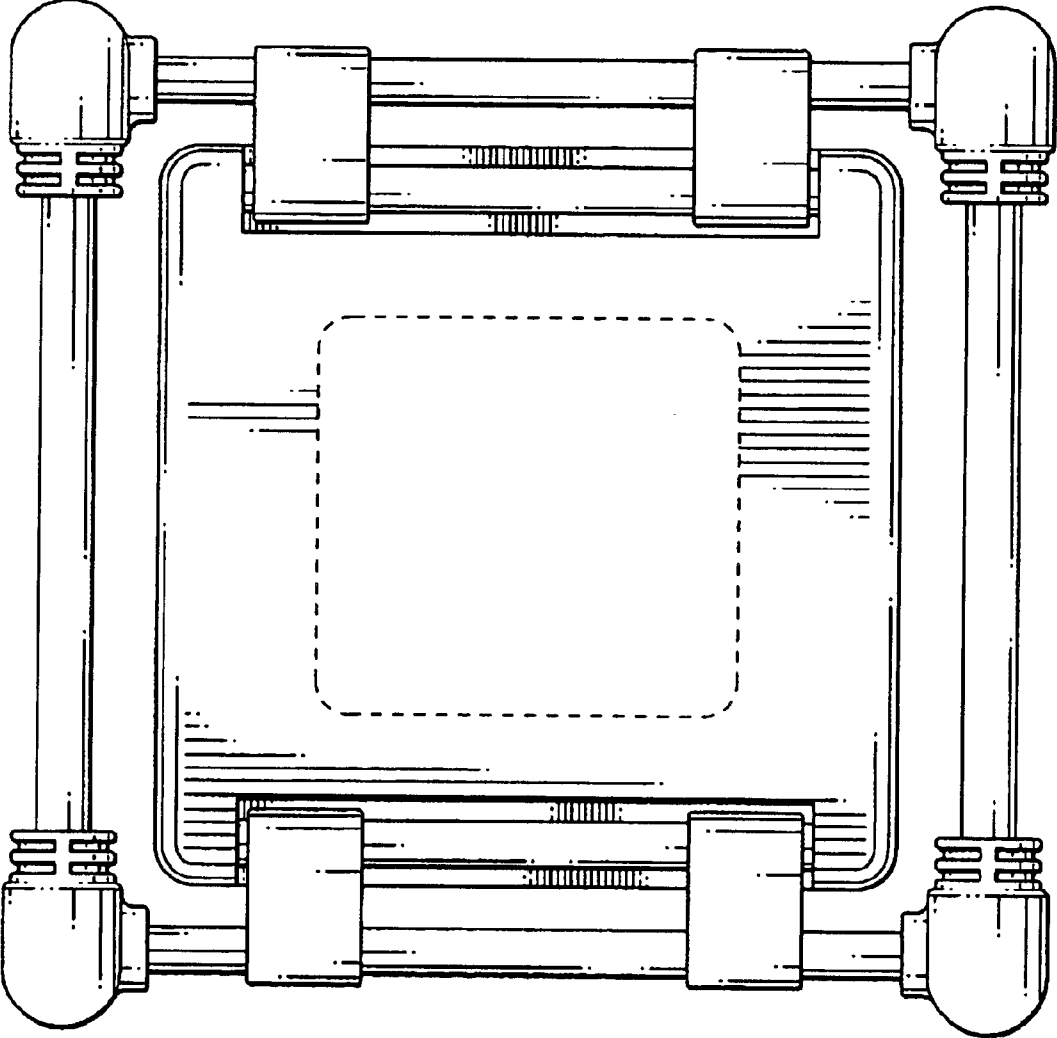


FIG. 3

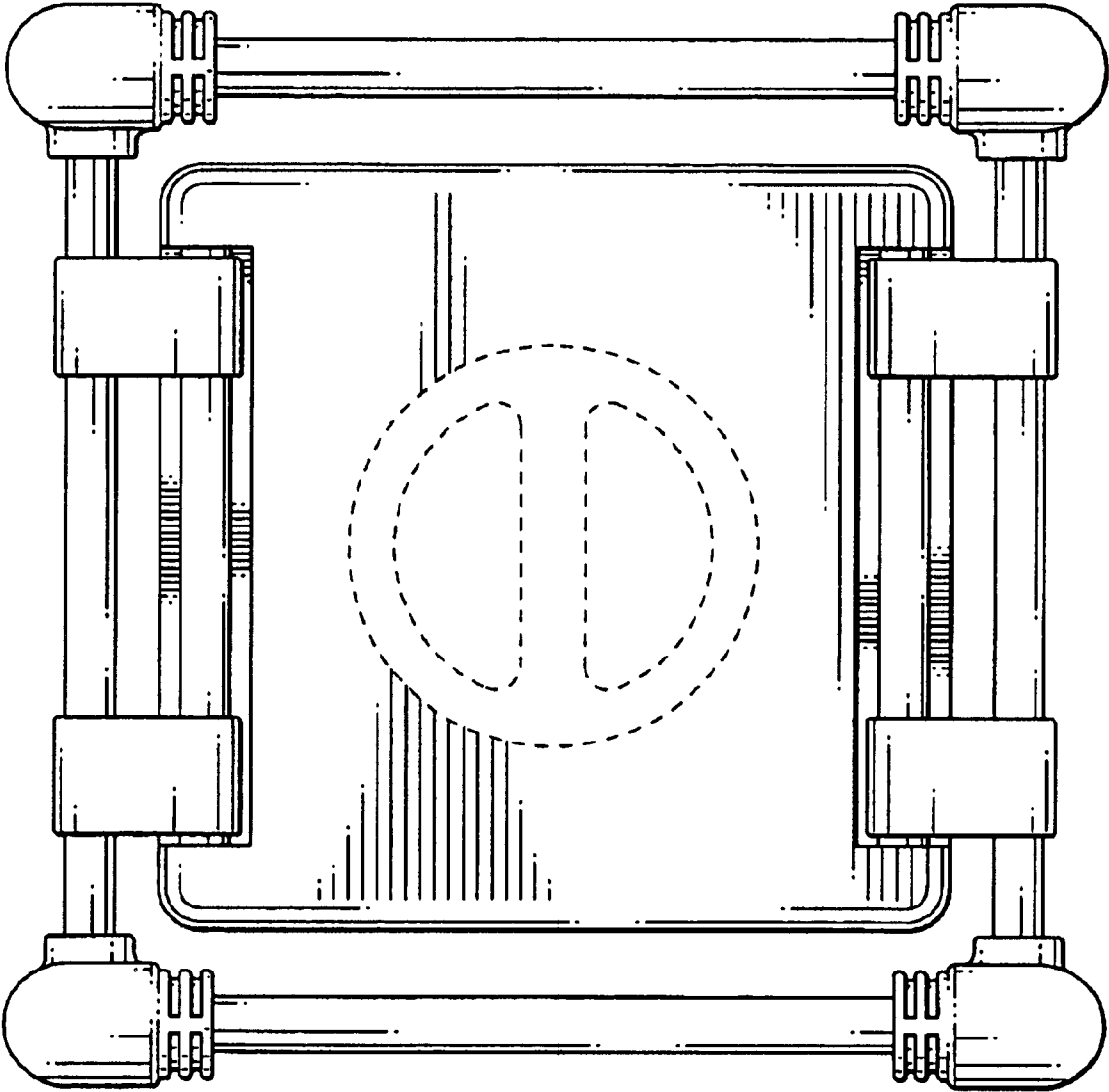


FIG. 4