

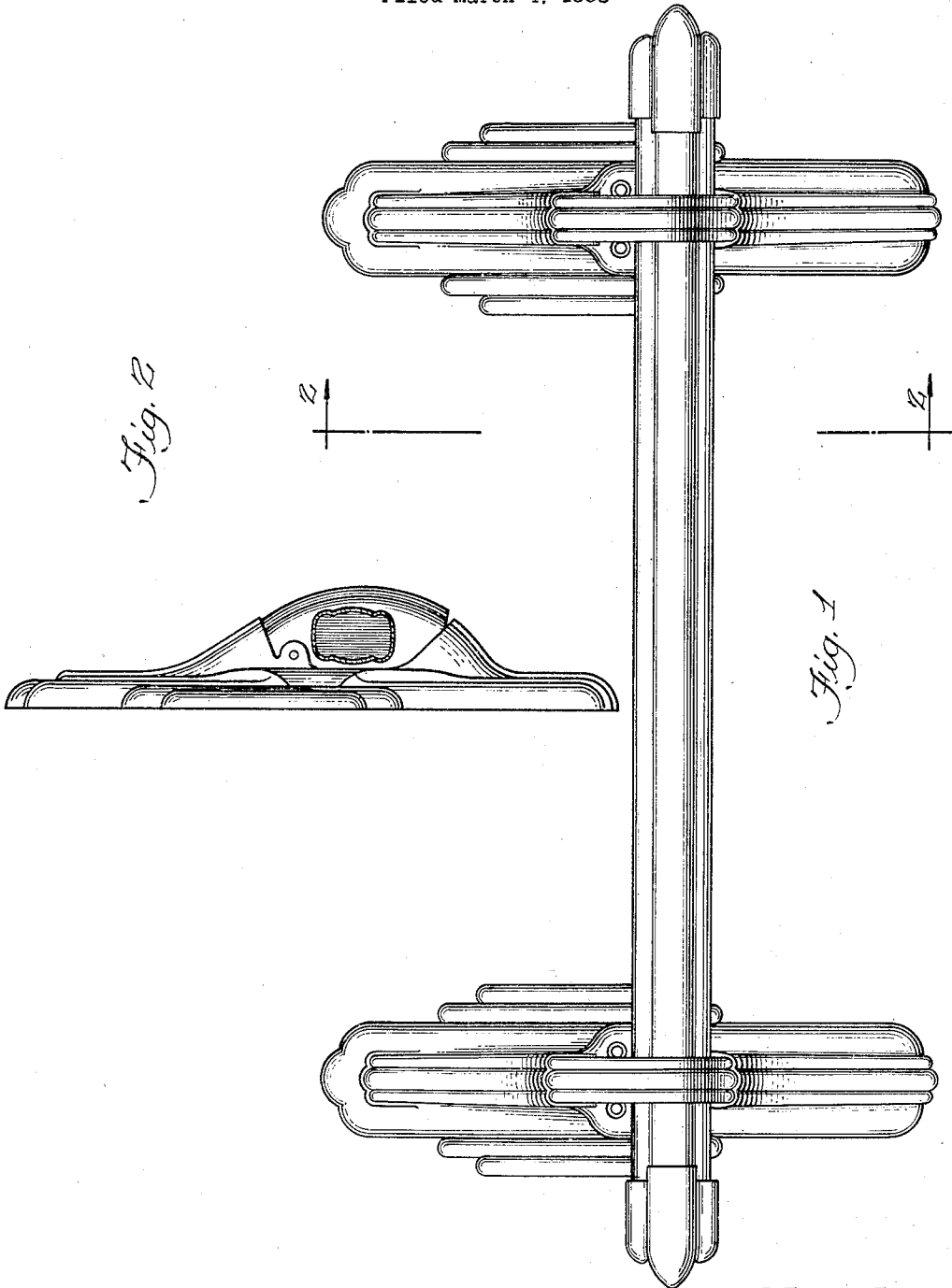
Oct. 18, 1938.

R. LARSON

Des. 111,787

HANDLE FOR A CASKET OR ANALOGOUS ARTICLE

Filed March 4, 1938



Inventor:  
Raymond Larson.  
By: Frank J. Schraeder Jr  
Attorney.

# UNITED STATES PATENT OFFICE

111,787

## DESIGN FOR A HANDLE FOR A CASKET OR ANALOGOUS ARTICLE

Raymond Larson, Chicago, Ill., assignor to Central Metallic Casket Co., Chicago, Ill., a corporation of Illinois

Application March 4, 1938, Serial No. 75,581

Term of patent 7 years

*To all whom it may concern:*

Be it known that I, Raymond Larson, a citizen of the United States, residing at 2207 North Lamont Avenue, Chicago, in the county of Cook and State of Illinois, have invented a new, original, and ornamental Design for a Handle for a Casket or Analogous Article, of which the following is a specification, reference being had to the accompanying drawing, forming part thereof.

Fig. 1 is a front elevation of a handle for a casket or analogous article embodying my new design, and

Fig. 2 is a cross-sectional view on line 2—2 of Fig. 1.

I claim:

The ornamental design for a handle for a casket or analogous article, as shown.

RAYMOND LARSON.