



- (51) International Patent Classification:
B60N 2/07 (2006.01) B60N 2/08 (2006.01)
- (21) International Application Number:
PCT/US2019/066701
- (22) International Filing Date:
17 December 2019 (17.12.2019)
- (25) Filing Language: English
- (26) Publication Language: English
- (30) Priority Data:
62/780,579 17 December 2018 (17.12.2018) US
- (71) Applicant: MAGNA SEATING INC. [CA/CA]; 337
Magna Drive, Aurora, ON L4G 7K1 (CA).
- (72) Inventors; and
(71) Applicants (for US only): ZHAO, Kai [US/US]; 852 Lyn-
haven Court, Rochester Hills, MI 48307 (US). NACY,

Michael, D. [US/US]; 3720 Gregory Road, Lake Orion, MI 48359 (US). MARINI, Detjon [US/US]; 46 Grandview Circle, White Lake, MI 48386 (US). VETERE, Louis II [US/US]; 2506 Ivy Hill, Commerce Twp, MI 48382 (US). DIOUM, Cheikh [US/US]; 29315 Fieldstone, Rochester Hills, MI 48334 (US).

(74) Agent: ASHER, Robin W.; Miller, Canfield, Paddock and Stone, P.L.C., 150 West Jefferson, Suite 2500, Detroit, MI 48226 (US).

(81) Designated States (unless otherwise indicated, for every kind of national protection available): AE, AG, AL, AM, AO, AT, AU, AZ, BA, BB, BG, BH, BN, BR, BW, BY, BZ, CA, CH, CL, CN, CO, CR, CU, CZ, DE, DJ, DK, DM, DO, DZ, EC, EE, EG, ES, FI, GB, GD, GE, GH, GM, GT, HN, HR, HU, ID, IL, IN, IR, IS, JO, JP, KE, KG, KH, KN, KP, KR, KW, KZ, LA, LC, LK, LR, LS, LU, LY, MA, MD, ME, MG, MK, MN, MW, MX, MY, MZ, NA, NG, NI, NO, NZ, OM, PA, PE, PG, PH, PL, PT, QA, RO, RS, RU, RW, SA,

(54) Title: LOOP LATCH RELEASE FOR POWER LONG RAIL ASSEMBLY

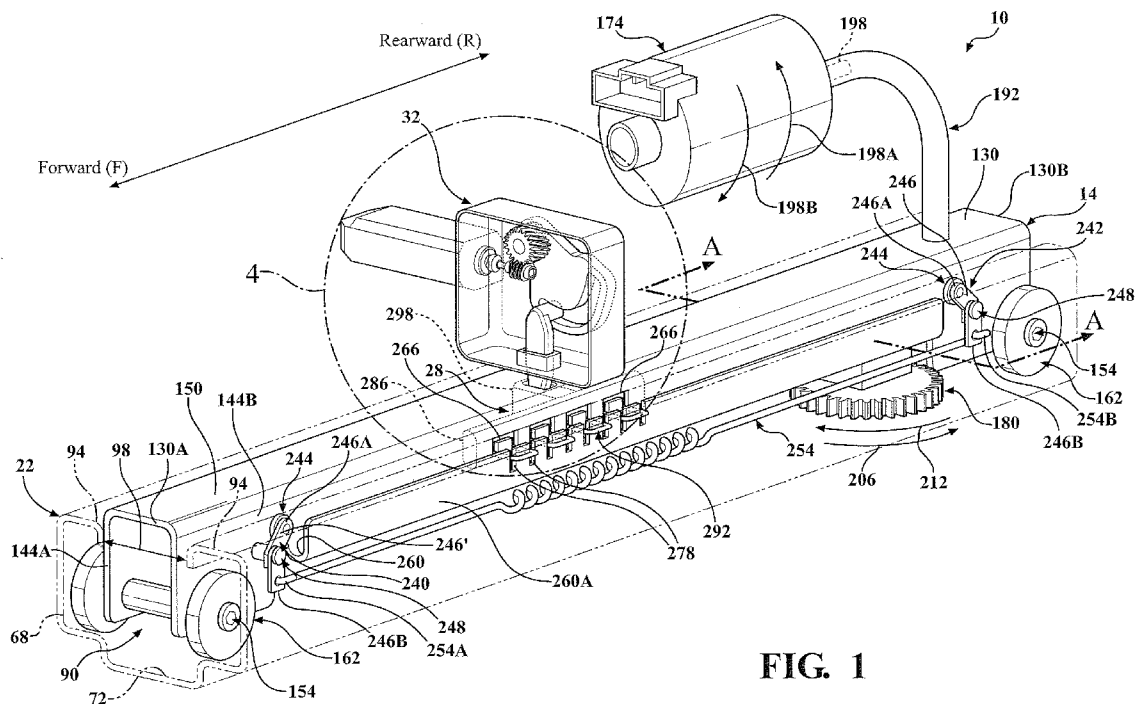


FIG. 1

(57) Abstract: A power long rail assembly is attached to a vehicle floor for repositioning vehicle seats in a vehicle between a plurality of seating positions. The power long rail assembly includes a fixed long rail and a power rail drive assembly configured to travel along the fixed long rail. The power rail drive assembly has an upper channel having a driving wheel configured to frictionally and/or meshingly engage with the fixed rail, a fore/aft motor operatively coupled to the driving wheel, a latch assembly for locking the upper channel to the fixed long rail, and a latch release mechanism having a latch motor operatively coupled to a release plunger for automatically unlocking the latch assembly from the fixed long rail, and a fore/aft button operatively coupled to the fore/aft motor and to the latch motor to selectively activate the fore/aft motor and the latch motor.



WO 2020/131777 A3

SC, SD, SE, SG, SK, SL, SM, ST, SV, SY, TH, TJ, TM, TN,
TR, TT, TZ, UA, UG, US, UZ, VC, VN, ZA, ZM, ZW.

- (84) Designated States** (*unless otherwise indicated, for every kind of regional protection available*): ARIPO (BW, GH, GM, KE, LR, LS, MW, MZ, NA, RW, SD, SL, ST, SZ, TZ, UG, ZM, ZW), Eurasian (AM, AZ, BY, KG, KZ, RU, TJ, TM), European (AL, AT, BE, BG, CH, CY, CZ, DE, DK, EE, ES, FI, FR, GB, GR, HR, HU, IE, IS, IT, LT, LU, LV, MC, MK, MT, NL, NO, PL, PT, RO, RS, SE, SI, SK, SM, TR), OAPI (BF, BJ, CF, CG, CI, CM, GA, GN, GQ, GW, KM, ML, MR, NE, SN, TD, TG).

Declarations under Rule 4.17:

- *of inventorship (Rule 4.17(iv))*

Published:

- *with international search report (Art. 21(3))*
— *before the expiration of the time limit for amending the claims and to be republished in the event of receipt of amendments (Rule 48.2(h))*

(88) Date of publication of the international search report:

07 January 2021 (07.01.2021)

INTERNATIONAL SEARCH REPORT

International application No
PCT/US2019/066701

A. CLASSIFICATION OF SUBJECT MATTER
INV. B60N2/07 B60N2/08
ADD.
According to International Patent Classification (IPC) or to both national classification and IPC

B. FIELDS SEARCHED
Minimum documentation searched (classification system followed by classification symbols)
B60N
Documentation searched other than minimum documentation to the extent that such documents are included in the fields searched

Electronic data base consulted during the international search (name of data base and, where practicable, search terms used)
EPO-Internal, WPI Data

C. DOCUMENTS CONSIDERED TO BE RELEVANT		
Category*	Citation of document, with indication, where appropriate, of the relevant passages	Relevant to claim No.
X	US 2013/162000 A1 (KUME SHO [JP] ET AL) 27 June 2013 (2013-06-27)	1
Y	abstract paragraphs [0050], [0052], [0061] figures 4-6	2
X	US 2007/013218 A1 (KAYUMI TETSUYA [JP] ET AL) 18 January 2007 (2007-01-18)	1
Y	abstract figure 6	2
Y	US 2018/334054 A1 (HIGUCHI TADASUKE [JP] ET AL) 22 November 2018 (2018-11-22)	2
	abstract figure 3	

Further documents are listed in the continuation of Box C. See patent family annex.

* Special categories of cited documents :

"A" document defining the general state of the art which is not considered to be of particular relevance	"T" later document published after the international filing date or priority date and not in conflict with the application but cited to understand the principle or theory underlying the invention
"E" earlier application or patent but published on or after the international filing date	"X" document of particular relevance; the claimed invention cannot be considered novel or cannot be considered to involve an inventive step when the document is taken alone
"L" document which may throw doubts on priority claim(s) or which is cited to establish the publication date of another citation or other special reason (as specified)	"Y" document of particular relevance; the claimed invention cannot be considered to involve an inventive step when the document is combined with one or more other such documents, such combination being obvious to a person skilled in the art
"O" document referring to an oral disclosure, use, exhibition or other means	"&" document member of the same patent family
"P" document published prior to the international filing date but later than the priority date claimed	

Date of the actual completion of the international search 8 September 2020	Date of mailing of the international search report 24/11/2020
--	---

Name and mailing address of the ISA/ European Patent Office, P.B. 5818 Patentlaan 2 NL - 2280 HV Rijswijk Tel. (+31-70) 340-2040, Fax: (+31-70) 340-3016	Authorized officer Vachey, Clément
--	--

INTERNATIONAL SEARCH REPORT

Information on patent family members

International application No

PCT/US2019/066701

Patent document cited in search report	Publication date	Patent family member(s)	Publication date	
US 2013162000	A1	27-06-2013	CN 103097181 A	08-05-2013
			EP 2620318 A1	31-07-2013
			JP 5556536 B2	23-07-2014
			JP 2012066712 A	05-04-2012
			US 2013162000 A1	27-06-2013
			WO 2012039281 A1	29-03-2012

US 2007013218	A1	18-01-2007	DE 102006032460 A1	08-02-2007
			JP 4459124 B2	28-04-2010
			JP 2007022272 A	01-02-2007
			US 2007013218 A1	18-01-2007

US 2018334054	A1	22-11-2018	CN 208306408 U	01-01-2019
			DE 102018207671 A1	22-11-2018
			JP 2018193007 A	06-12-2018
			US 2018334054 A1	22-11-2018
