



US00D737365S

(12) **United States Design Patent**
Drushal et al.

(10) **Patent No.:** **US D737,365 S**

(45) **Date of Patent:** **** Aug. 25, 2015**

(54) **PERCUSSION INSTRUMENT**

2013/0269502 A1* 10/2013 Boulet 84/421
2014/0000436 A1* 1/2014 Klein 84/415
2014/0041508 A1* 2/2014 Trask 84/415

(71) Applicant: **Pitch Slap Percussion LLC**, Boynton Beach, FL (US)

FOREIGN PATENT DOCUMENTS

(72) Inventors: **Charles Trevor Drushal**, North Palm Beach, FL (US); **Jeffrey C. Poppe**, Lake Worth, FL (US)

DE 202011001566 U1 * 7/2011
DE 102010047488 A1 * 2/2012
EP 2450876 A1 * 5/2012
ES 1073806 2/2011
JP 2004012987 A * 1/2004 G10D 13/00
WO 2011033434 3/2011
WO 2013026502 A2 * 2/2013
WO WO2013116317 A1 * 8/2013

(73) Assignee: **Pitch Slap Percussion LLC**, Boynton Beach, FL (US)

(**) Term: **14 Years**

OTHER PUBLICATIONS

(21) Appl. No.: **29/444,399**

International Search Report & Written Opinion dated Apr. 18, 2013 received for international application No. PCT/US2013/023814.
International Preliminary Report on Patentability dated Aug. 5, 2014 received for PCT Application No. PCT/US2013/023814.

(22) Filed: **Jan. 30, 2013**

(51) **LOC (10) Cl.** **17-04**

(52) **U.S. Cl.**
USPC **D17/22**

* cited by examiner

(58) **Field of Classification Search**
USPC D17/22, 99; 84/600, 104, 107, 113, 84/723, 411 R, 414, 415, 416, 420, 411 P, 84/DIG. 12
See application file for complete search history.

Primary Examiner — Rashida Johnson

(74) *Attorney, Agent, or Firm* — Fleit Gibbons Gutman Bongini & Bianco PL; Jon A. Gibbons

(56) **References Cited**

(57) **CLAIM**

The ornamental design for a percussion instrument, as shown and described.

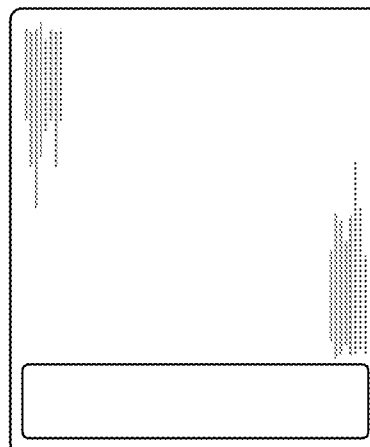
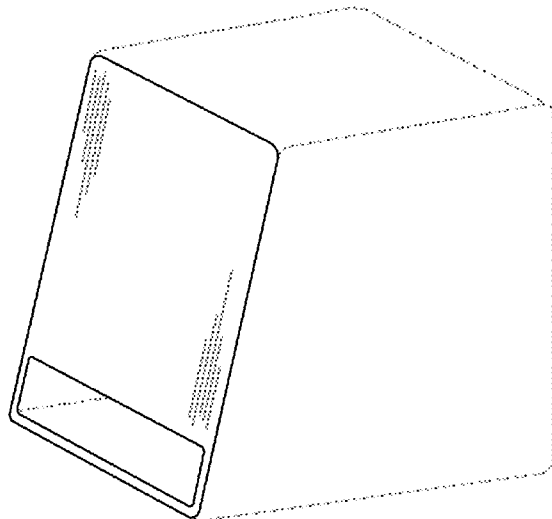
U.S. PATENT DOCUMENTS

DESCRIPTION

3,263,551 A * 8/1966 Musser 84/484
D366,996 S * 2/1996 Torres D8/29
7,161,078 B2 1/2007 Becker-Ehmck
7,692,083 B2 4/2010 Aspland
8,263,848 B2 * 9/2012 Aspland 84/415
8,487,170 B2 * 7/2013 Klein 84/411 R
2008/0034944 A1 * 2/2008 Aspland 84/415
2010/0031802 A1 * 2/2010 Millender et al. 84/411 R
2010/0050852 A1 * 3/2010 Aspland 84/415
2011/0296973 A1 * 12/2011 Herrera 84/411 R
2012/0000342 A1 * 1/2012 Klein 84/415
2013/0068083 A1 * 3/2013 Eduardo 84/411 R
2013/0180382 A1 * 7/2013 Buchner 84/411 R

FIG. 1 is a front isometric view of a percussion instrument, showing our new design;
FIG. 2 is a front view thereof;
FIG. 3 is a top view thereof;
FIG. 4 is a bottom view thereof;
FIG. 5 is a right side view thereof; and,
FIG. 6 is a left side view thereof.
The broken lines represent the portions of the percussion instrument, which form no part of the claimed design.

1 Claim, 3 Drawing Sheets



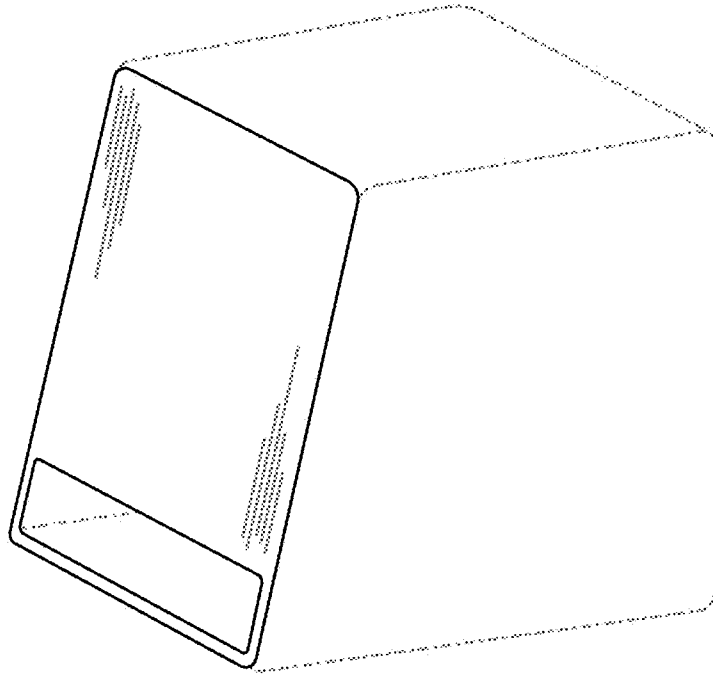


FIG. 1

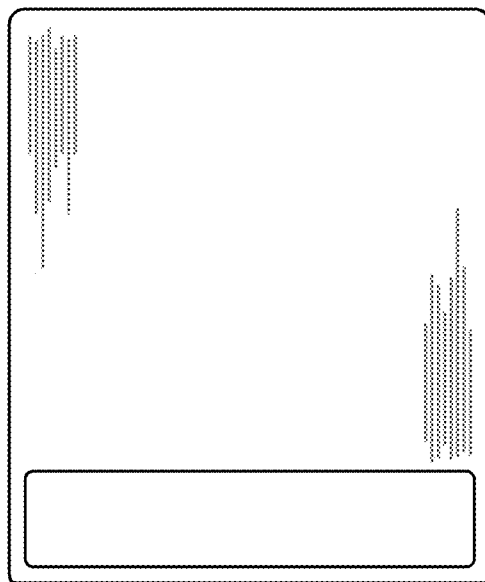


FIG. 2

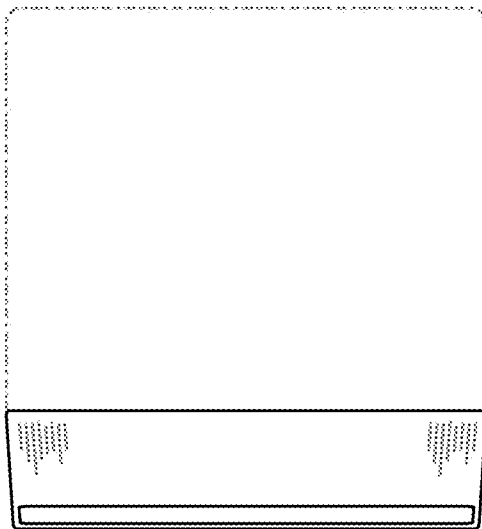


FIG. 3

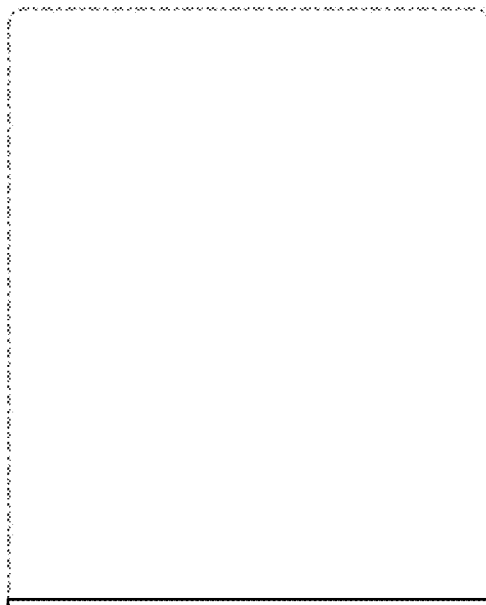


FIG. 4

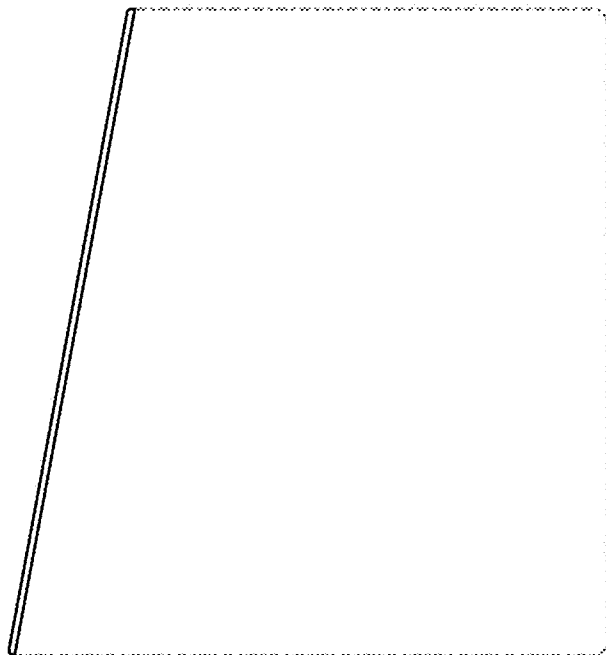


FIG. 5

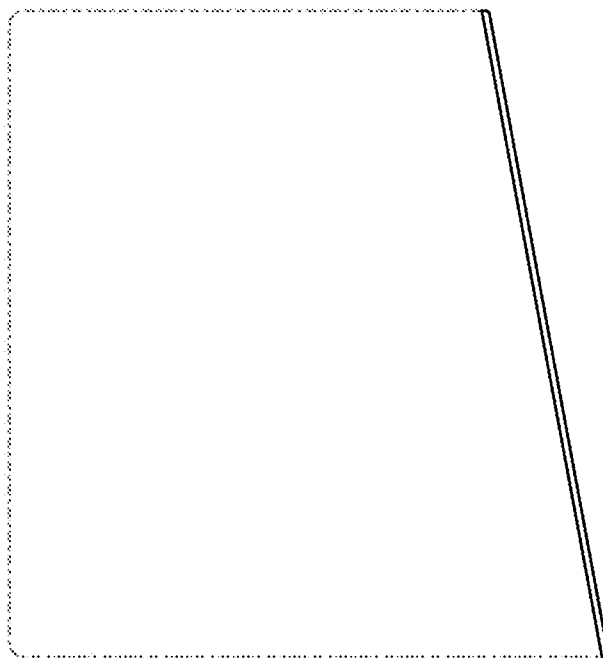


FIG. 6