

(19) World Intellectual Property Organization  
International Bureau



(43) International Publication Date  
19 August 2004 (19.08.2004)

PCT

(10) International Publication Number  
WO 2004/069064 A2

(51) International Patent Classification<sup>7</sup>: A61B 17/22, 17/32

(21) International Application Number: PCT/US2004/002893

(22) International Filing Date: 2 February 2004 (02.02.2004)

(25) Filing Language: English

(26) Publication Language: English

(30) Priority Data:  
60/444,344 31 January 2003 (31.01.2003) US  
10/695,632 27 October 2003 (27.10.2003) US

(71) Applicant (for all designated States except US): HYDRO-CISION INC [US/US]; 100 Burt Road, Suite G01, Andover, MA 01810 (US).

(72) Inventors; and

(75) Inventors/Applicants (for US only): STAID, Kevin, P. [US/US]; 20 Boylston Street, Lowell, MA 01852 (US). FRASSICA, James [US/US]; 5 Essex Place, Chelmsford,

MA 01824 (US). DION, Ernest, Allen [US/US]; 23 Garfield, Avenue, Danvers, MA 01923 (US). HESKETH, David, P. [US/US]; 211 Oakland Avenue, Methuen, MA 01844 (US). MERANDA, Joseph, A. [US/US]; 46 Sherman Avenue, Haverhill, MA 01832 (US).

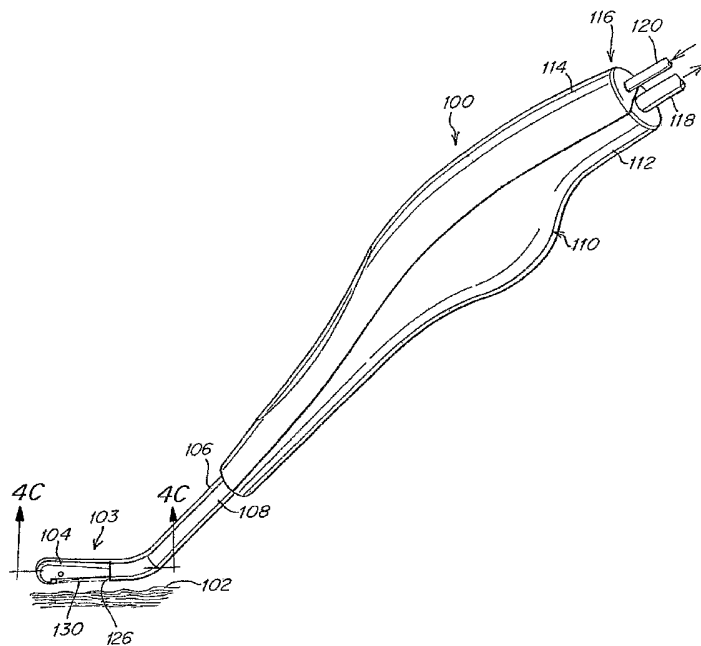
(74) Agent: WOLF, GREENFIELD & SACKS, P.C.; 600 Atlantic Avenue, Boston, MA 02210 (US).

(81) Designated States (unless otherwise indicated, for every kind of national protection available): AE, AG, AL, AM, AT, AU, AZ, BA, BB, BG, BR, BW, BY, BZ, CA, CH, CN, CO, CR, CU, CZ, DE, DK, DM, DZ, EC, EE, EG, ES, FI, GB, GD, GE, GH, GM, HR, HU, ID, IL, IN, IS, JP, KE, KG, KP, KR, KZ, LC, LK, LR, LS, LT, LU, LV, MA, MD, MG, MK, MN, MW, MX, MZ, NA, NI, NO, NZ, OM, PG, PH, PL, PT, RO, RU, SC, SD, SE, SG, SK, SL, SY, TJ, TM, TN, TR, TT, TZ, UA, UG, US, UZ, VC, VN, YU, ZA, ZM, ZW.

(84) Designated States (unless otherwise indicated, for every kind of regional protection available): ARIPO (BW, GH,

[Continued on next page]

(54) Title: NOZZLE ASSEMBLIES FOR LIQUID JET SURGICAL INSTRUMENTS AND SURGICAL INSTRUMENTS EMPLOYING THE NOZZLE ASSEMBLIES



(57) Abstract: Disclosed are nozzles and nozzle assemblies of liquid jet-forming surgical instruments, surgical instruments employing such nozzles and/or nozzle assemblies, and methods of fabricating the nozzle assemblies in forming surgical instruments. Also, disclosed are liquid jet-forming surgical instruments including both liquid jet-forming nozzles and optional evacuation lumens, which when provided can be configured to receive the liquid jet and evacuate the liquid forming the liquid jet. Certain embodiments of such surgical instruments include inventive nozzle alignment component(s) to facilitate alignment of the nozzles and evacuation lumen upon assembly. In certain embodiments, surgical instruments are provided that include a nozzle that is shaped to form a liquid jet, which has surfaces that are optically smooth. In certain embodiments, the nozzle has a configuration enabling the nozzle to form a liquid jet that has the ability to remain collimated over longer distances than is typically achievable with conventional liquid jet surgical instrument nozzles having the same ratio of nozzle length to minimum inner diameter of the jet opening. In certain

embodiments, nozzle assemblies comprising an operative assembly of at least two sub-components, which together provide a nozzle are provided. In certain embodiments, the at least two sub-components may comprise a nozzle-providing component, such as a nozzle ring, and a holder that is configured to retain and position the nozzle-providing component in the nozzle assembly. In certain embodiments, the nozzle-providing component can comprise a liquid flow passage having a diameter that continuously decreases along at least a portion of its length.

WO 2004/069064 A2



GM, KE, LS, MW, MZ, SD, SL, SZ, TZ, UG, ZM, ZW), Eurasian (AM, AZ, BY, KG, KZ, MD, RU, TJ, TM), European (AT, BE, BG, CH, CY, CZ, DE, DK, EE, ES, FI, FR, GB, GR, HU, IE, IT, LU, MC, NL, PT, RO, SE, SI, SK, TR), OAPI (BF, BJ, CF, CG, CI, CM, GA, GN, GQ, GW, ML, MR, NE, SN, TD, TG).

**Published:**

— *without international search report and to be republished upon receipt of that report*

*For two-letter codes and other abbreviations, refer to the "Guidance Notes on Codes and Abbreviations" appearing at the beginning of each regular issue of the PCT Gazette.*

**NOZZLE ASSEMBLIES FOR LIQUID JET SURGICAL INSTRUMENTS AND  
SURGICAL INSTRUMENTS EMPLOYING THE NOZZLE ASSEMBLIES**

**Related Applications**

5           This application is a continuation-in-part of co-pending U.S. application/ serial no. 10/695,632, filed, October 27, 2003, which is incorporated herein by reference.

          This application claims the benefit under Title 35, U.S.C. §119(e) of co-pending U.S. provisional application serial no. 60/444,344, filed, January 31, 2003, which is incorporated herein by reference.

10

**Background**

1.       Field of the Invention

          This invention relates to nozzle assemblies for liquid jet-forming surgical instruments, surgical instruments employing the nozzle assemblies, and methods of fabricating such surgical instruments.

15

2.       Description of the Related Art

          Traditionally, many surgical procedures for both open surgery and minimally invasive surgery (i.e., endoscopic, laparoscopic, or arthroscopic surgical procedures) have utilized surgical tools such as scalpels, scrapers, blunt dissectors, lasers, electrosurgical devices, etc., which can have poor tissue differentiating capability, which may easily cause inadvertent damage to tissue surrounding a surgical treatment site, and which do not typically provide for an ability to precisely control a depth of cutting and/or tissue ablation with the instrument and/or effectively provide for evacuation from the treatment site of cut/ablated tissue. Many such surgical procedures can entail more extensive trauma to the patient and/or require longer operating procedures, with associated problems of long recovery periods and potential complication, than is desirable.

25

          Instruments that employ liquid jets have also been utilized in surgical procedures for cutting and ablating tissue. Such instruments can have certain advantages over the above-mentioned traditional surgical instruments for performing surgical and medical procedures. For example, the cutting or ablating power of the liquid jet may be adjusted or controlled by an operator of the instrument, for example by varying the pressure of the liquid supplied to form the jet, to allow for improved tissue differentiation and to reduce inadvertent damage to

30

surrounding tissues when cutting or ablating the target tissue. When operated at lower liquid pressures, the instruments can be utilized for lavage and/or debridement of tissue, without substantial cutting. A variety of such liquid jet surgical instruments for performing open surgical procedures, minimally invasive surgical procedures, and surgical procedures performed on an external portion of the body of a patient (e.g., wound cleansing or skin debridement) are known in the art. Several such instruments are described in commonly-owned U.S. Patent Nos. 5,944,686, issued August 31, 1999, 6,375,635, issued April 23, 2002, and 6,511,493, issued September 17, 2002, each incorporated herein by reference, and in commonly-owned published U.S. Patent Publication No. 2003/0125660 A1, published July 10 03, 2003, which is incorporated herein by reference.

Typically, many of the above-described surgical instruments are designed and supplied to be disposable after a single use. As described in the above-identified patents and published application, many liquid jet-forming surgical instruments utilize liquid pressures in excess of 1,000 psig, often in the range of between about 5,000 to 20,000 psig, and in some cases up to 15 50,000 psig or more. Typical nozzle internal diameters can range from about 0.001 to 0.02 inch. In forming such instruments, the ability to fabricate liquid jet-forming nozzles able to withstand such pressures while forming collimated jets is difficult. Moreover, because, as mentioned above, many such instruments are disposable after a single use, the ability to form nozzles in expensively and reproducibly in quantity adds to the difficulty. Typical nozzle 20 assemblies for forming collimated jets for liquid jet-forming devices can tend to be expensive to fabricate and/or difficult to fabricate in bulk quantities reproducibly and/or can have relatively large ratios of nozzle length to diameter, which can lead to undesirably large pressure drops. Many conventional methods for making such small nozzle openings, such as electric discharge machining, microdrilling, and the like, tend to be expensive, relatively 25 slow, and difficult to automate. In addition, facilitating alignment between liquid jet nozzles and jet receivers in such instruments during fabrication, especially for instruments having relatively long jet lengths, e.g. greater than 5 mm can be difficult.

While many of the above-mentioned surgical instruments, and especially liquid jet-based surgical instruments have utility for performing such surgical and medical procedures, there 30 for improved nozzles and nozzle assemblies for liquid jet-based surgical instruments and for improved techniques and components for aligning liquid jet-forming nozzles in such instruments. The present invention provides, in certain embodiments, such improved

nozzles, nozzle assemblies, and surgical liquid jet instruments, and further provides methods for their construction and use in a variety of surgical procedures.

5

### Summary

Disclosed are nozzles and nozzle assemblies of liquid jet-forming surgical instruments, surgical instruments employing such nozzles and/or nozzle assemblies, and methods of fabricating the nozzle assemblies in forming surgical instruments. Also, disclosed are liquid jet-forming surgical instruments including both liquid jet-forming nozzles and optional evacuation lumens, which when provided can be configured to receive the liquid jet and evacuate the liquid forming the liquid jet. Certain embodiments of such surgical instruments include inventive nozzle alignment component(s) to facilitate alignment of the nozzles and evacuation lumen upon assembly. In certain embodiments, surgical instruments are provided that include a nozzle that is shaped to form a liquid jet, which has surfaces that are optically smooth. In certain embodiments, the nozzle has a configuration enabling the nozzle to form a liquid jet that has the ability to remain collimated over longer distances than is typically achievable with conventional liquid jet surgical instrument nozzles having the same ratio of nozzle length to minimum inner diameter of the jet opening. In certain embodiments, nozzle assemblies comprising an operative assembly of at least two sub-components, which together provide a nozzle are provided. In certain embodiments, the at least two sub-components may comprise a nozzle-providing component, such as a nozzle ring, and a holder that is configured to retain and position the nozzle-providing component in the nozzle assembly. In certain embodiments, the nozzle-providing component can comprise a liquid flow passage having a diameter that continuously decreases along at least a portion of its length.

In one aspect, the invention is directed to surgical instruments. In one series of embodiments, surgical instruments comprising a nozzle assembly comprising a nozzle-providing component that is shaped to form a liquid jet; and a pressure lumen configured and positioned to convey a flow of liquid to the nozzle assembly; wherein the nozzle assembly comprises a holder that is configured to retain and position the nozzle-providing component, and wherein the nozzle-providing component comprises a liquid flow passage having a

30

diameter that continuously decreases along at least a portion of a liquid flow path through the liquid flow passage are disclosed.

In another series of embodiments, surgical instruments comprising a nozzle assembly comprising a nozzle-providing component that is shaped to form a liquid jet; and a pressure lumen configured and positioned to convey a flow of liquid to the nozzle assembly; wherein the nozzle assembly comprises a holder that is configured to retain and position the nozzle-providing component; and wherein the holder comprises a recessed well having a seating surface comprising a hole, which hole is in fluid communication with the pressure lumen, the hole having an inner diameter less than an outer diameter of the nozzle-providing component when the nozzle-providing component is contained within the recessed well of the holder, and wherein the recessed well of the holder has an inner diameter at least as great as the outer diameter of the nozzle-providing component when the nozzle-providing component is contained within the recessed well of the holder are disclosed.

In another series of embodiments, surgical instruments comprising a nozzle assembly comprising a nozzle-providing component that is shaped to form a liquid jet; and a pressure lumen configured and positioned to convey a flow of liquid to the nozzle assembly; wherein the nozzle assembly comprises a holder that is configured to retain and position the nozzle-providing component, the holder comprising a recessed well formed in the distal tip of the pressure lumen are disclosed.

In another series of embodiments, surgical instruments comprising a nozzle assembly comprising a nozzle-providing component that is shaped to form a liquid jet; and a pressure lumen configured and positioned to convey a flow of liquid to the nozzle assembly; wherein the nozzle-providing component comprises a ring having an outer diameter not greater than 0.1 inch and a height, as measured in a direction parallel to the longitudinal axis of a hole defining a liquid flow path through the ring, less than the outer diameter are disclosed.

In another series of embodiments, surgical instruments comprising a nozzle that is shaped to form a liquid jet; and a pressure lumen configured and positioned to convey a flow of liquid to the nozzle; wherein the nozzle comprises a hole, defining a liquid flow path through the nozzle, which has surfaces that are optically smooth are disclosed.

In another series of embodiments, surgical instruments comprising a nozzle that is shaped to form a liquid jet; and a pressure lumen configured and positioned to convey a flow of liquid to the nozzle; wherein a ratio of a liquid flow path length through the nozzle to a

minimum inner diameter of a jet-forming orifice of the nozzle does not exceed 4; and wherein the liquid jet formed by the instrument when in operation has a cone angle not exceeding 10 degrees are disclosed.

5 In another series of embodiments, surgical instruments comprising a pressure lumen configured and positioned to convey a flow of liquid comprising at or near its distal end a nozzle that is shaped to form a liquid jet; an evacuation lumen comprising a jet-receiving opening locatable opposite the nozzle to receive at least a portion of the liquid jet emitted from the nozzle, when the instrument is in operation, and which is configured and positioned to convey a flow of liquid away from the jet-receiving opening; and a nozzle alignment  
10 component located at or near the distal end of the instrument that is configured and positioned to connect to the pressure lumen and, upon connection to the pressure lumen, to align the nozzle with respect to the evacuation lumen so that the liquid jet enters the jet-receiving opening along a selected trajectory, when the instrument is in operation are disclosed.

15 In another aspect, the invention is directed to nozzle assemblies of liquid jet-forming surgical instruments. In one series of embodiments, nozzle assemblies of liquid jet-forming surgical instruments comprising a nozzle-providing component that is shaped to form a liquid jet; and a holder that is configured to retain and position the nozzle-providing component within the nozzle assembly, wherein the nozzle-providing component comprises a liquid  
20 flow passage having a diameter that continuously decreases along at least a portion of a liquid flow path through the liquid flow passage are disclosed.

In another series of embodiments, nozzle assemblies of liquid jet-forming surgical instruments comprising a nozzle-providing component that is shaped to form a liquid jet; and a holder that is configured to retain and position the nozzle-providing component within the  
25 nozzle assembly, wherein the holder comprises a recessed well having a seating surface comprising a hole, which hole is connectable in fluid communication with a source of pressurized liquid, the hole having an inner diameter less than an outer diameter of the nozzle-providing component when the nozzle-providing component is contained within the recessed well of the holder, and wherein the recessed well of the holder has an inner diameter  
30 at least as great as the outer diameter of the nozzle-providing component when the nozzle-providing component is contained within the recessed well of the holder are disclosed.

In another series of embodiments, nozzle assemblies of liquid jet-forming surgical instruments comprising a nozzle that is shaped to form a liquid jet; wherein the nozzle comprises a hole, defining a liquid flow path through the nozzle, which has surfaces that are optically smooth are disclosed.

5 In another series of embodiments, nozzle assemblies of liquid jet-forming surgical instruments comprising a nozzle that is shaped to form a liquid jet; wherein a ratio of a liquid flow path length through the nozzle to a minimum inner diameter of a jet-forming orifice of the nozzle does not exceed 4; and wherein the liquid jet formed by the nozzle assembly when in operation has a cone angle not exceeding 10 degrees are disclosed.

10 In another aspect, the invention is directed to methods for fabricating a nozzle assembly of a liquid jet-forming surgical instrument. In one series of embodiments, methods for fabricating a nozzle assembly of a liquid jet-forming surgical instrument comprising affixing a nozzle-providing component in the shape of a ring, the nozzle-providing component having an outer diameter and a liquid flow passage through the nozzle-providing  
15 component wherein the flow passage has a diameter that continuously decreases along at least a portion of a liquid flow path through the liquid flow passage, to or within a holder, the holder being connectable in fluid communication with a source of pressurized liquid, thereby forming the nozzle assembly, such that the nozzle assembly is able to withstand an internal liquid pressure of at least about 1,000 psig without failure are disclosed.

20 In another series of embodiments, methods assembling at least a portion of a liquid jet-forming surgical instrument, comprising connecting at least a distal portion of a pressure lumen, the pressure lumen comprising at or near its distal end a nozzle that is shaped to form a liquid jet, and at least a distal portion of an evacuation lumen, the evacuation lumen comprising a jet-receiving opening locatable opposite the nozzle, to a nozzle alignment  
25 component located at or near the distal end of the instrument, such that upon connection of the pressure lumen and the evacuation lumen to the nozzle alignment component without further alignment steps, the nozzle is aligned with respect to the evacuation lumen so that a liquid jet formed by the nozzle enters the jet-receiving opening along a selected trajectory, when the instrument is in operation are disclosed.

30 In another aspect, the present invention is directed to a method of making one or more of the embodiments described herein, for example, a liquid jet surgical instrument or a nozzle or a nozzle assembly of a surgical instrument. In yet another aspect, the present invention is



- 7 -

directed to a method of using one or more of the embodiments described herein, for example, a liquid jet surgical instrument or a nozzle or a nozzle assembly of a surgical instrument. In still another aspect, the present invention is directed to a method of promoting one or more of the embodiments described herein, for example, a liquid jet surgical instrument or a nozzle or  
5 a nozzle assembly of a surgical instrument.

### **Brief Description of the Drawings**

The accompanying drawings are schematic are not intended to be drawn to scale. In  
10 the figures, each identical, or substantially similar component that is illustrated in various figures is typically represented by a single numeral or notation. For purposes of clarity, not every component is labeled in every figure, nor is every component of each embodiment of the invention shown where illustration is not necessary to allow those of ordinary skill in the art to understand the invention. In the drawings:

15 Fig. 1A is a plan view of a portion of a template for making a photomask as a step in a photolithographic electrodeposition method for fabricating nozzle rings according to an embodiment of the invention;

Fig. 1B is a schematic illustration of a portion of a photomask and a portion of a substrate having conductive features thereon, for forming nozzle rings by electrodeposition as  
20 a step in a photolithographic electrodeposition method for fabricating nozzle rings according to an embodiment of the invention;

Fig. 1C shows, schematically, an electrodeposition step of a photolithographic electrodeposition method for fabricating nozzle rings according to an embodiment of the invention;

25 Fig. 1D is a cross-sectional side view of a nozzle ring formed by a photolithographic electrodeposition method for fabricating nozzle rings according to an embodiment of the invention, still attached to the substrate on which it was formed;

Fig. 1E is a cross-sectional side view of the nozzle ring of Fig. 1D, after separation from the substrate;

30 Fig. 2A is a cross-sectional side view of a nozzle-providing component holder of a nozzle assembly, according to one embodiment of the invention;

- 8 -

Fig. 2B is a cross-sectional side view of a nozzle-providing component holder of a nozzle assembly, according to another embodiment of the invention;

Fig. 2C is a cross-sectional side view of a nozzle-providing component holder of a nozzle assembly, according to another embodiment of the invention;

5 Fig. 3A is a cross-sectional side view of a nozzle assembly including the nozzle ring of Fig. 1E and the holder of Fig. 2A, according to one embodiment of the invention;

Fig. 3B is a cross-sectional side view of a nozzle assembly including the nozzle ring of Fig. 1E and the holder of Fig. 2A, according to another embodiment of the invention;

10 Fig. 3C is a cross-sectional side view of a nozzle assembly including the nozzle ring of Fig. 1E and the holder of Fig. 2C, according another embodiment of the invention;

Fig. 4A is a perspective view of a liquid jet-forming surgical handpiece instrument including the nozzle assembly illustrated in Fig. 3B and a nozzle alignment component according to one embodiment of the invention;

15 Fig. 4B is a perspective view of a portion of the high pressure liquid supply and evacuation plumbing contained inside the body of the surgical instrument of Fig. 4A;

Fig. 4C is a cross-sectional view of the distal end of the surgical instrument of Fig. 4A taken along line 4C-4C.

Fig. 4D is a perspective view of the nozzle alignment component of the surgical instrument of Fig. 4A;

20 Fig. 4E is an end view of the nozzle alignment component of the surgical instrument of Fig. 4A, as viewed distally from a position proximal to the component;

Fig. 5A is a cross-sectional side view of an alternative embodiment of a nozzle alignment component;

25 Fig. 5B is a cross-sectional view of the nozzle alignment component of Fig. 5A, taken along line 5B – 5B;

Fig. 5C is a cross-sectional side view of a distal portion of a pressure lumen configured to mate with the nozzle alignment component of Fig. 5A, illustrating a holder as illustrated in Fig. 2A at its distal tip prior to insertion of a nozzle ring and fabrication of a complete nozzle assembly;

30 Fig. 5D is an enlarged cross-sectional detail view of the area encircled by arrows 5D-5D of the distal tip of the pressure lumen of Fig. 5C after insertion of the nozzle ring of Fig. 1E into the holder and formation of a nozzle assembly as illustrated in Fig. 3B;

- 9 -

Fig. 6A is a cross-sectional side view of another alternative embodiment of a nozzle alignment component including a nozzle assembly therein as illustrated in Fig. 3C;

Fig. 6B is a cross-sectional view of the nozzle alignment component of Fig. 6A, taken along line 6B – 6B;

5 Fig. 6C is a cross-sectional view of the nozzle alignment component of Fig. 6A, taken along line 6C – 6C;

Fig. 6D is a cross-sectional view of the nozzle alignment component of Fig. 6A, taken along line 6D – 6D.

10

#### **Detailed Description**

Disclosed are nozzles and nozzle assemblies of liquid jet-forming surgical instruments, surgical instruments employing such nozzles and/or nozzle assemblies, and methods of fabricating the nozzle assemblies in forming surgical instruments. Also, disclosed are liquid jet-forming surgical instruments including both liquid jet-forming nozzles and optional evacuation lumens, which when provided can be configured to receive the liquid jet and evacuate the liquid forming the liquid jet. Certain embodiments of such surgical instruments include inventive nozzle alignment component(s) to facilitate alignment of the nozzles and evacuation lumen upon assembly.

The surgical instruments provided according to certain embodiments of the invention and/or utilizing certain embodiments of the nozzles and/or nozzle assemblies of the invention, can take on many configurations, depending on the particular application. For example, as described in further detail in the context of Figs. 4A – 4C, the surgical instruments can comprise a surgical handpiece with a body designed to be gripped by the hand of an operator during a surgical or medical procedure. Alternatively, the surgical instruments can comprise an elongated tubular device, such as a catheter, or can take on other configurations. Additional configurations which can employ certain aspects of the present invention are discussed in Applicant's U.S. Patent Nos. 5,944,686; 6,375,635 and 6,511,493, and commonly-owned U.S. Patent Publication 2003/0125660 A1. Such instruments typically include a "distal end" and a "proximal end." A "distal end" of surgical instrument, according to the invention, refers to that portion of the instrument that is adapted to perform a surgical

procedure on a patient. The distal end typically includes such structure as the nozzle and nozzle assembly, a jet-receiving opening of an evacuation lumen, when an evacuation lumen is provided, a nozzle alignment component for certain embodiments, and, optionally, other tissue-contacting and/or tissue-altering components. While the "distal end" is typically

5 located at a position on the instrument farthest from the operator during use (i.e., a distal-most position), this need not always be the case. The "proximal end" of the instrument refers to that portion of the instrument adapted to be controllable by an operator of the instrument. For embodiments wherein the instrument comprises a surgical handpiece, the proximal end typically includes a body configured and adapted to be grasped by the hand of an operator

10 during use. While, in the discussion below, the surgical instruments are typically referred to as being "liquid jet" instruments, it should be understood that, while, in certain embodiments involving tissue cutting, the use of liquids to form the jet is preferred, in alternative embodiments, surgical instruments according to the invention could utilize fluids other than liquids, such as certain gases. Accordingly, whenever "liquid" or "liquid-jet" is indicated, the

15 terms "fluid" (encompassing both liquids and gases) and "fluid jet," respectively, should be considered interchangeable, unless otherwise specified.

The invention also provides, in certain embodiments, kits including an inventive surgical instrument, or component thereof in combination with instructions directing an operator to dispose of at least the portion, and in some instances of the entire instruments,

20 after a single use. "Instructions" can and often do define a component of promotion, and typically involve written instructions on or associated with packaging of instruments or components of the invention. Instructions also can include any oral or electronic instructions provided in any manner. The "kit" typically, and preferably, defines a package including both any one or a combination of the components and/or instruments of the invention and the

25 instructions, but can also include the components and/or instruments of the invention and instructions of any form that are provided in connection with the components and/or instruments in a manner such that a clinical professional will clearly recognize that the instructions are to be associated with the specific components and/or instruments.

In one aspect, the invention provides a series of nozzles and/or nozzle assemblies for

30 liquid jet-forming surgical instruments, as well liquid jet-forming surgical instruments employing such nozzles and/or nozzle assemblies. As described in greater detail below, certain embodiments of the inventive nozzles and nozzle assemblies can provide improved

performance over conventional nozzles in that the nozzles and/or nozzle assemblies can improve one or more of the following performance characteristics: the degree of collimation of liquid jets formed by the nozzle, the ease and economy of manufacturing the nozzles and/or nozzle assemblies reproducibility and/or ease of fabrication and/or alignment of the  
5 nozzles along a desired, the ability to form relatively collimated liquid jets over relatively long jet lengths with lower pressure drops through the nozzle than in conventional nozzle designs, etc. Various embodiments of the nozzle assemblies, nozzles, and surgical instruments described below can achieve one or more of the above-described advantageous performance characteristics and, in certain embodiments, all of the above-described  
10 performance characteristics.

In certain embodiments, surgical instruments are provided that include a nozzle that is shaped to form a liquid jet, which has surfaces that are optically smooth. The term "optically smooth" as used herein refers to a surface that is smooth on the scale of the wavelength of visible light. As discussed further below, the ability to provide nozzles having such smooth  
15 surfaces can reduce the degree of induced turbulence in the liquid forming the jet, thereby improving the degree of collimation of the jet and reducing pressure drop across the nozzle during formation of the jet. As discussed in more detail below, one method of forming nozzles having optically smooth surfaces involves forming such surfaces using techniques involving the electrodeposition of conductive materials, such as metals.

The term "nozzle" as used herein refers to a lumen or conduit having a reduced inner diameter with respect to the inner diameter of a region of a conduit or container, with which the nozzle is in fluid communication, upstream of the nozzle. It should be noted that the reduced inner diameter of the nozzle may be constant, in certain embodiments, or may be stepped or tapered along the flow path through the nozzle. Moreover, the cross-sectional  
25 shape of the flow path through the nozzle can be any suitable shape. In certain embodiments, illustrated herein, the cross sectional shape is a circle. A "jet-forming orifice" or "jet opening" of a nozzle, as used herein refers to the smallest diameter orifice in the nozzle from which a liquid jet formed by the nozzle is emitted. The initial diameter of the liquid jet typically corresponds to the cross sectional diameter of the jet-forming orifice/jet opening.

30 In certain embodiments, the invention provides a surgical instrument including a nozzle having a configuration enabling the nozzle to form a liquid jet that has the ability to remain collimated over longer distances than is typically achievable with conventional

nozzles having the same ratio of liquid flow path length through the nozzle to minimum inner diameter of the jet forming orifice of the nozzle. In certain embodiments, discussed in more detail below, such inventive nozzles have the ability to form liquid jets characterized by a cone angle that is less than would be the cone angle formed by a typical nozzle of conventional design for a surgical liquid jet instrument and having the same ratio of liquid flow path length to minimum inner diameter of the jet forming orifice. A "liquid flow path length" through the nozzle or, equivalently, "nozzle length" as used herein refers to the length of the nozzle (see above definition of nozzle) as measured along a central axis of the hole comprising the flow path of the nozzle. A "cone angle" of a liquid jet is given its ordinary meaning and is illustrated and discussed in more detail in the context of Fig. 4C (where the cone angle of liquid jet 130 equals  $2 \times A$  as illustrated).

In certain embodiments of the invention nozzle assemblies comprising nozzle-providing components and surgical instruments employing such nozzle assemblies are provided. A "nozzle assembly" as used herein refers to an operative assembly of at least two sub-components, which together provide a nozzle that is shaped to form a liquid jet. In certain embodiments, the at least two sub-components may comprise the above-mentioned nozzle-providing component and a holder that is configured to retain and position a nozzle-providing component in the nozzle assembly. A "nozzle assembly" as used herein would not apply to a nozzle structure that is integrally formed in a container or lumen, such as a hole in a wall of such container/lumen or a necked-down region of an outlet end of such a lumen. A "nozzle-providing component" as used herein refers to a sub-component of a nozzle assembly that includes as part of its structure a nozzle.

As discussed and illustrated in more detail below, in certain embodiments of the invention, in order to improve the efficiency of the inventive nozzles and nozzle-providing components and provide a vena contracta effect, the nozzle-providing component can comprise a liquid flow passage having a diameter that continuously decreases along at least a portion of its length, and in certain embodiments continuously decreases along essentially the entirety of its length. As discussed and illustrated in more detail below, in one series of embodiments, such a liquid flow passage through the nozzle-providing component is provided by fabricating the nozzle-providing component so that it has a curved cross-sectional profile, and in one embodiment a semicircular profile. The provision of a liquid flow path through the nozzle-providing component having a continuously decreasing

diameter along the direction of liquid flow, according to certain embodiments of the invention - especially for those embodiments wherein the cross-sectional shape of the nozzle-providing component is semicircular and/or the surfaces of the liquid flow path are optically smooth - can enable the inventive nozzle-providing components to produce liquid jets having a desirable degree of collimation while also having a liquid flow path that is relatively short, which can lead to a reduced pressure drop for the nozzle compared with many conventional surgical liquid jet instrument nozzle designs. For example, in certain embodiments, the nozzle-providing component comprises a ring that has an outer diameter not greater than 0.1 inch and height, as measured in a direction parallel to the longitudinal axis of the hole defining the liquid flow path through the ring, that is less than the outer diameter of the ring. A "ring" as used in the above-context in describing certain nozzle-providing components of the invention refers to such a component having the shape of a torus, wherein the cross-sectional shape of the torus, taken in a plain containing the central axis of the hole of the torus, can be any closed plane curve, e.g. a circle, rectangle, triangle, semicircle, etc. As mentioned above, in one particular embodiment, which is illustrated in Fig. 1E, the cross-sectional shape of the ring is a semicircle.

In another aspect, the invention also provides surgical instruments. The surgical instruments include a pressure lumen that is configured and positioned to convey a flow of liquid to a nozzle shaped to form a liquid jet positioned at or near the distal end of the pressure lumen. Certain surgical instruments also include an optional evacuation lumen comprising a jet-receiving opening locatable opposite the nozzle to receive at least the portion of the liquid jet that is emitted from the nozzle, when the instrument is in operation, and which is configured and positioned within the instrument to convey a flow of liquid away from the jet-receiving opening toward the proximal end of the instrument. Certain embodiments of such surgical instruments include an inventive nozzle alignment component located at or near the distal end of the instrument that is configured and positioned, as described in more detail below in the context of Figs. 4A-6D, to connect to the pressure lumen and, upon connection to the pressure lumen, to align the nozzle with respect to the evacuation lumen so that the jet enters the jet-receiving opening along a selected trajectory, when the instrument is in operation. In certain embodiments (e.g. see Figs. 4A-5D), the nozzle alignment component is configured to connect to both the pressure lumen and the evacuation lumen to provide the above-described alignment. In an exemplary embodiment,

for example, as illustrated in Figs. 4A-5D, the nozzle alignment component comprises an insert including a groove and/or a lumen therein that is sized and configured to contain and secure the distal end of the pressure lumen. In certain such embodiments, a downstream end of the insert may also be sized and configured to be insertable in the jet-receiving opening of the evacuation lumen.

The invention also provides methods of fabricating the above-described surgical instruments and nozzle assemblies. In one such method of fabrication of a nozzle assembly according to the invention, described in more detail below, the nozzle assembly is fabricated by combining a nozzle-providing component, such as a nozzle ring, with a holder that secures and positions the nozzle-providing component and is connectable to a source of pressurized fluid. In a first step of an embodiment of such a method, a nozzle ring is fabricated by a technique that is preferably able to produce desirable quantities of such nozzle rings economically and reproducibly. Any suitable technique may potentially be used to fabricate nozzle rings that will provide a desirable level of reproducibility, uniformity, smoothness, and fabrication economy. In one preferred embodiment, the nozzle rings are obtained that are made by a photolithographic technique coupled with subsequent electrodeposition, as described in more detail below in the context of Figs. 1A-1E. Nozzle rings fabricated according to this technique can be stable, and can typically be readily handled manually or by machine and subject to quality control inspection, etc., before being assembled into a nozzle assembly of a surgical instrument. In alternative embodiments, nozzle-providing components or nozzle rings could also be made by other techniques, such as by drilling of preform blanks – e.g. via mechanical drilling, laser drilling, electric discharge machining, or any other known technique capable of reliably forming holes with a desired jet-forming orifice diameter (e.g. with in the range of about 0.001 to 0.02 inch). In one embodiment, a laser can be used to cut both the central hole defining the nozzle in a nozzle ring and an outer circle in a larger blank defining the outer diameter of the nozzle ring. In another embodiment, nozzle rings are fabricated by slicing a piece of tubing having suitable inner and outer diameters.

A subsequent step of the exemplary fabrication method can involve forming or providing a nozzle-providing component holder, into which the nozzle-providing component is installed, and to which a source of high-pressure liquid is in fluid communication or can be connected in fluid communication. A variety of configurations and materials can be utilized in forming the holder of the nozzle assembly. In certain embodiments, a structure in which



the holder is formed comprises high pressure tubing forming a pressure lumen of the surgical instrument. Such tubing can be selected to be suitable for connection to a source of liquid having a pressure desirable for operation of the instrument, e.g. in excess of 1,000 psig, 3,000 psig, 5,000 psig, 10,000 psig, 15,000 psig, 30,000 psig, 50,000 psig, or more. The tubing  
5 also, desirably, is configured to facilitate bending as required to form desired configurations of the distal portion of the pressure lumen of the surgical instrument (e.g. see Figs. 4A-6D and associated discussion).

In certain embodiments, the holder is formed, for example in thin-walled tubing comprising the pressure lumen, by creating a recessed well in the tubing or other holder  
10 structure, wherein the recessed well has a seating surface having a bore therethrough that is in fluid communication with the pressure lumen of the instrument. In order to retain and position the nozzle ring or other nozzle-providing component, the inner diameter of the bore through the seating surface should be less than the outer diameter of the nozzle-providing component. As described in more detail below, depending on the technique utilized for  
15 affixing the nozzle-providing component within the recessed well, the inner diameter of the recessed well may be at least as great as the outer diameter of the nozzle-providing component, when it is in a relaxed configuration prior to insertion in the recessed well, or, in other embodiments, may be somewhat smaller in diameter, so that the nozzle-providing component can be press fit and somewhat deformed upon insertion in to the recessed well.

In certain preferred embodiments, the shape and size of the recessed well is selected  
20 such that, upon insertion of the nozzle-providing component into the well, the nozzle-providing component becomes automatically positioned, via mating interaction with contacting surfaces of the recessed well of the holder, such that a liquid jet formed by the nozzle of the nozzle-providing component will be directed along a desired trajectory within  
25 the surgical instrument. In certain embodiments, the recessed well is formed in tubing comprising the pressure lumen at a distal tip of the pressure lumen. A "distal tip" of the pressure lumen as used herein refers to the distal-most end and outlet of the pressure lumen, e.g. as illustrated in Figs. 2A and 2B. As discussed above, the recessed well typically comprises a region of the tubing or holder structure having an inner diameter that is larger  
30 than the inner diameter of the bore through the seating surface. This enlarged inner diameter section may be made by any suitable technique, for example, by drilling, boring, flaring, etc. In certain embodiments, the enlarged inner diameter section is made by localized stretching

and expansion of the distal tip of the pressure lumen, e.g. as illustrated and discussed in the context of Fig. 2B. In alternative embodiments, a nozzle ring or other nozzle-providing components may, instead of being installed into a well formed directly in the distal tip or side wall of the pressure lumen, be installed in a plate or other structure, in which a holder of  
5 similar configuration to that described above is formed. In certain preferred embodiments, the inner diameter of the hole formed in the seating surface of the holder is substantially larger than the smallest diameter of the jet opening of the nozzle of the nozzle-providing component, for example, in certain embodiments it is at least twice as great in diameter, and in other embodiments it is at least three or four, or more, times larger.

10 The nozzle-providing component, such as a nozzle ring, can be affixed and secured to or within the holder, such that the nozzle assembly thus formed is able to withstand an internal liquid pressure at least as great as that expected to be utilized for forming the liquid jet of the surgical instrument, for example at least about, without failure of the nozzle assembly, e.g., by mechanical failure or undesirable leakage or misdirection of liquid. As  
15 described in greater detail below, a variety of ways of affixing and securing the nozzle-providing component within the nozzle assembly may be utilized. In certain embodiments, the nozzle-providing component is secured after its insertion into a recessed well positioned at a distal tip of high pressure tubing by crimping the end of the tubing, so that the nozzle-providing component is prevented from moving. In other embodiments, separate structures  
20 may be utilized for retaining and securing the nozzle-providing component, such as retaining rings, caps, plates, etc. Other means of retention within the scope of the invention can include, without limitations, the use of adhesive, welding, brazing, soldering, or any other suitable means of retention, known to those skilled in the art.

In certain embodiments, wherein the seating surface of the holder is positioned  
25 downstream of the nozzle-providing component, because the fluid pressure exerted on the nozzle-providing component forming the liquid jet tends to force the nozzle-providing component against the seating surface, the securing means utilized to hold the nozzle-providing component in place need not be able to provide a high level of retention force, and can include securing components such as elastomer O-rings, adhesives, deformable  
30 lightweight metal or plastic retainers (e.g. locking washers, etc), disks or rings of paper or other fibrous materials, screens, etc. Such restraints need only prevent the nozzle-providing component from becoming incorrectly positioned in the absence of water pressure. In certain

such embodiments, a disk or plug of filter paper or other material permeable to liquid flow, and lacking any central hole, is used both to retain the nozzle-providing component and to prevent its plugging by debris (see, e.g. Fig. 6A).

Fabrication of exemplary nozzle assemblies, according to the invention, including a  
5 specific embodiment of a nozzle-providing component in the form of a nozzle ring is described below in the context of Figs. 1A-3C. One exemplary embodiment for fabricating a nozzle ring and a nozzle ring formed thereby is illustrated in Figs. 1A-1-E. Rings produced by the illustrated method or similar methods and having the characteristics, dimensions and configurations described and illustrated in Figs. 1A-1E are available for fabrication  
10 commercially and were obtained from Dynamics Research Corporation (Wilmington, Massachusetts). The illustrated method comprises a photolithographic technique, wherein the nozzle rings are formed via the electrodeposition of a metal. The exemplary nozzle ring forming method described below is similar in certain respects to that disclosed in U.S. Patent No. 4,954,225, which is incorporated herein by reference.

15 Referring to Figs. 1A-1C, an array of circles **10** is first printed on a substrate **12**, and the printed array can be converted to a photolithography mask **14** by conventional techniques. As illustrated in Fig. 1B, mask **14** is used, to produce a congruent array of conductive circles **16** in a thin layer of a photoresist material **18** on a glass plate **20**. While, in the presently illustrated embodiment, the photolithography mask **14** includes feature forming elements **10**  
20 having the shape of a circle, in other embodiments other shapes may be utilized. As explained below, the shape of elements **10** dictates the perimetric shape of the nozzle ring, which is selected to correspond to the cross-sectional shape of the holder in which the nozzle ring will be placed. In the illustrated embodiment, the holder of the nozzle assembly, such as a distal tip of the pressure lumen, has a circular cross-section, so that the nozzle rings are  
25 formed having a perimetric shape that is circular, as illustrated in Fig. 1E. In addition, as explained in more detail below, the diameter of elements **10** corresponds to a diameter of a center line **22** of the solid portion of the ring, thereby also affecting the outer diameter **OD** of the ring **21** and the inner diameter **ND** of the hole **28** in the ring defining the jet opening of nozzle **30** (see Fig. 1E). As explained in more detail below, these values are selected based  
30 upon the desired initial diameter of the liquid jet (for inner diameter **ND**) and the inner diameter of the recessed well portion of the holder (for outer diameter **OD** of ring **21**). Referring again to Fig. 1B, when the rings are duplicated on an appropriate scale in a

photoresist material and it is developed, small, thin circular lines **16** of conductive material are produced on glass plate **20**.

While a variety of known electroplating/electrodeposition techniques can potentially be utilized for forming the nozzle rings **21**, in the illustrated embodiment, referring to Fig. 5  
1C, plate **20** bearing the conductive circles **16** is placed in a plating bath **32**. In the illustrated embodiment, metal, for example a nickel-cobalt alloy is plated and allowed to build up uniformly on the conductive regions **16**, producing a ring **21** in the shape of a ring torus, wherein the ring torus is hemispherical, such that a cross-section **34** of the ring by a plane containing the longitudinal axis **36** of the hole **38** defining the liquid flow path through the  
10 ring, has the shape of a semicircle, as illustrated in Fig. 1D and 1E. After a selected time in plating bath **32**, nozzle ring **21** attains a desired thickness **H** so as to produce a central hole **38** comprising a nozzle **30** with a desired minimum **ND** comprising a jet opening **28** of nozzle **30**. Nozzle ring **21**, as illustrated in Fig. 1D, has the above-described hemispherical shape analogous to a ring torus having a circular cross-section (i.e. like a bagel) which has been  
15 sliced in half through a central plan perpendicular to axis **36** of its hole **38** (e.g. like slicing a bagel along its "equator" to make a bagel sandwich). As discussed below, the minimum diameter portion of hole **38**, which is on flat surface **40** of nozzle ring **21**, is, in certain preferred embodiments, used as the jet opening **28** of nozzle **30** in that it is used as the exit for fluid passing through nozzle ring **21**, when it is oriented in a functioning nozzle assembly.

20 The utilization of electrodeposition of metal in the above-described exemplary embodiment for forming the nozzle ring is one way to enable the curved surfaces **42** of nozzle ring **21** to be extremely smooth, for example to be optically smooth as defined previously. As indicated in Fig. 1E, semicircular cross-section **34** is characterized by a radius **R** having as its origin conductive circle **16** initially formed in the step illustrated Fig. 1B.  
25 Radius **R** also, in the illustrated embodiment, defines the height **H** of nozzle ring **21** and the length of nozzle **30**.

Finished nozzle rings **21** can be detached from plate **20**, by conventional means, and, if required, cleaned in preparation for inserting them into holders for forming the inventive nozzle assemblies, as described in further detail in Figs. 2A-3C. A detached nozzle ring **21** is  
30 illustrated in cross-section in Fig. 1E. Referring to Fig. 1E, a variety of exemplary dimensions are given below, which have been found useful in the practice of certain exemplary embodiments of the invention and for constructing certain exemplary

embodiments of the surgical instruments described below and illustrated in Figs. 4A-6D. It should be emphasized that the particular dimensions selected will depend on the desired performance of the nozzle ring and the dimensions of various other components, for example the inner and outer diameter of the pressure lumen of a surgical instrument of the invention, etc. and must be selected based on such considerations.

In particular embodiments, nozzle ring **21** will have an outer diameter **OD** not greater than about 0.1 inch and a height **H** that is less than the outer diameter. In certain such embodiments, the outer diameter **OD** of nozzle ring **21** is between 0.02 inch and 0.1 inch. In certain other embodiments, outer diameter **OD** of nozzle ring **21** is between 0.03 inch and 0.04 inch and the height **H** of the ring is between 0.005 inch and 0.01 inch. In one exemplary embodiment, where the nozzle ring is used for forming a nozzle assembly in a distal tip of a pressure lumen, which pressure lumen has an inner diameter of 0.03 inch and an outer diameter of 0.05 inch, the outer diameter **OD** of ring **21** is about 0.034 inch and the height **H** of the ring is about 0.007 inch. In certain exemplary embodiments, the minimum diameter **ND** of jet opening **28**, which defines the initial diameter of the liquid jet emitted from nozzle ring **21** in operation, is between about 0.001 and about 0.02 inch, in certain embodiments is between about 0.002 inch and about 0.01 inch, and in certain embodiments is between about 0.003 and about 0.007 inch. In one exemplary embodiment, inner diameter **ND** is about 0.005 inch.

As mentioned above and as described in further detail below, because nozzle ring **21** can have extremely smooth liquid contacting surfaces **42** on the upstream side of the nozzle ring and a gradually decreasing inner diameter of nozzle **30**, the nozzle ring can have the ability to form highly collimated liquid jets even for relatively low ratios of nozzle length **H** to jet opening diameter **ND**. For example, it has been found in the context of the present invention that a liquid jet formed by a nozzle ring, such as nozzle ring **21** can have a cone angle not exceeding 10 degrees, when the ratio of nozzle length **H** to jet opening diameter **ND** does not exceed 4, in certain embodiments when the ratio does not exceed 2, and in certain other embodiments where the ratio does not exceed 1.5. In certain such embodiments, the liquid jet formed can have a cone angle between 3 degrees and 6 degrees. The cone angle refers to the angle formed at the apex of the liquid jet (see Fig. 4C, wherein the cone angle equals  $2 \times A$ ).

Figs. 2A-2C illustrate three exemplary configurations of nozzle-providing component holders of inventive nozzle assemblies provided by the invention. Referring to Fig. 2A, holder **50** comprises a distal tip of tubing **52**, which may be a pressure lumen of a surgical instrument of the invention, which has been bored to produce a recessed well **54** having an inner diameter **Z** greater than the inner diameter **LD** of lumen **56** of the tubing **52**. The base of recessed well **54** comprises a seating surface **58**, which, as explained in further detail below, serves to position and orient a nozzle ring or other nozzle-providing component inserted into the holder. Seating surface **58** may, optionally, be beveled, as illustrated, to assist in retention and orientation of a nozzle ring, as explained in more detail below.

As explained in more detail below in the context of Figs. 3A-3C, the selection of the inner diameter **Z** of recessed well **54**, in comparison with the outer diameter **OD** of nozzle ring **21**, will depend upon the technique utilized for securing the nozzle ring within the holder. For embodiments, such as illustrated in Fig. 3A below, wherein seating surface **58** is located upstream of the nozzle ring, such that pressure applied to the ring, as liquid passes through the nozzle ring in forming the liquid jet, tends to force the nozzle ring away from the seating surface so that the nozzle ring must be strongly retained in recessed well **54** to resist such pressure and force, and wherein the retaining force is provided via press fitting an oversized nozzle ring into recessed well **54**, the recessed well of the holder should have an inner diameter **Z** somewhat less than the outer diameter **OD** of the nozzle ring as measured when the nozzle ring is in an unstressed configuration prior to insertion of the nozzle ring into the recessed well of the holder. In other embodiments, such as illustrated in Figs. 3B or 3C, wherein a retaining means positioned downstream of the nozzle ring (Fig. 3B) or upstream of the nozzle ring (Fig. 3C) is provided, inner diameter **Z** of recessed well **54** can be equal to or somewhat larger than outer diameter **OD** of the nozzle ring **21**. For example, for an exemplary embodiment of such a configuration where outer diameter **OD** of nozzle ring **21** is about 0.034 inch, inner diameter **Z** of recessed well **54** can be selected to be between about 0.035 and about 0.04 inch. Typically, in the above-described embodiments wherein **Z** is somewhat larger than **OD**, the degree of oversize can range between about 1% and about 20%, in certain embodiments between about 5% and about 15%.

Holder **50**, as illustrated, is configured to retain and position a nozzle-providing component in a configuration in which a liquid jet formed by a nozzle of the nozzle-providing component is directed along a desired trajectory. For example, referring to Fig.

2A, if it is desirable that a liquid jet formed by the nozzle-providing component, when assembled into a nozzle assembly comprising holder **50**, is oriented co-linear with longitudinal axis **60** of pressure lumen **56**, then seating surface **58** should provide a seat co-planar to or geometrically centered about a plane perpendicular to longitudinal axis **60**, as is illustrated in Fig. 2A.

The inner diameter **LD** of hole **62** through seating surface **58** is selected, in certain embodiments, to be less than the outer diameter **OD** of nozzle ring **21**. For example, in an exemplary embodiment where **OD** of nozzle ring **21** is about 0.034 inch, **LD** of hole **62** may be in the range of between about 0.02 and about 0.03 inch. The specific dimension selected for **LD** is, typically, not critical. In certain embodiments, however, it is preferred that **LD** be greater than the inner diameter **ND** of jet opening **28** of nozzle ring **21** by at least a factor of about 2, and certain embodiments by at least a factor of about 4, and certain embodiments by at least a factor of about 6. Conveniently, **LD** can be selected to be equal to the inner diameter of lumen **56** of tubing **52** comprising holder **50**.

Fig. 2B illustrates an alternative embodiment illustrating a holder **50'**, which is substantially similar to holder **50** illustrated in Fig. 2A, except that recessed well **54** is formed in tubing **52** by expanding a distal tip **63** of tubing **52** to form the recessed well **54** having expanded the inner diameter **Z'**.

Fig. 2C illustrates yet another embodiment for providing a holder **50''** of a nozzle assembly of the invention, wherein the holder comprises a recessed well **54** formed in a plate or side wall of a pressure container, as opposed to at a distal end of a length of tubing, as previously illustrated. In one embodiment, wall **64** of holder **50''** comprises a side wall of high pressure tubing forming a pressure lumen of a surgical instrument provided with a nozzle assembly of the invention. As illustrated, recessed well **54** of holder **50''** includes a seating surface **58'** that is essentially planar, instead of beveled, or slanted as previously illustrated. As illustrated and discussed below in the context of Fig. 3C, planar seating surfaces can be advantageous for use when the seating surface is positioned downstream of the nozzle-providing component in the nozzle assembly (as illustrated in Fig. 3C), wherein, when a nozzle ring such as illustrated in Fig. 1E is utilized, the flat surface **40** of the nozzle ring **21** can contact and make sealing contact with seating surface **58'**.

Figs. 3A-3C illustrate several exemplary embodiments for the affixing, securing, and retaining of a nozzle-providing component, such as nozzle ring **21** in a holder to construct an

operable nozzle assembly provided according to the invention. Referring to Fig. 3A, nozzle assembly 70 comprises holder 50, previously illustrated in Fig. 2A, into which nozzle ring 21 has been inserted. Nozzle ring 21 has been inserted into recessed well 54 of holder 50 of nozzle assembly 70 so that its curved surfaces 42 face the high pressure of the upstream side of the fluid flow path through tubing 52. For nozzle-providing components including a flat side and a side having curvature providing a hole through the nozzle-providing component that is tapered, such as illustrated, it is preferred to orient such a nozzle-providing component so that the curved surfaces face upstream, thereby providing a nozzle having a decreasing inner diameter along the length of the fluid flow path through the nozzle, which can enhance the efficiency and vena contracta effect of the nozzle, as previously described.

In the exemplary embodiment illustrated in Fig. 3A, nozzle ring 21 has an outer diameter **OD**, as measured in a relaxed configuration, that is somewhat larger than the inner diameter **Z** of recessed well 54 of holder 50. In order to affix nozzle ring 21 within holder 50 in a pressure-stable fashion, nozzle ring 21 can be press-fit into recessed well 54. When such a method of inserting and securing nozzle ring 21 is utilized, nozzle assembly 70 need not include any additional retaining elements positioned in the holder downstream of the nozzle-providing component (i.e. need not include an optional nozzle retaining element 72 shown in dotted outline and discussed in more detail below). As mentioned previously, in order to ensure that nozzle assembly 70, including a nozzle ring 21 having an outer diameter **OD** when in an unstressed configuration that is somewhat larger than the inner diameter **Z** of recessed wall 54 of holder 50, is pressure stable at desired operating pressures, a selected degree of oversize of the outer diameter of nozzle ring 21 enabling the nozzle ring to withstand operating pressures without becoming dislodged from the holder is provided. In certain embodiments, it has been found that sufficient pressure stability of the nozzle assembly can be provided when the outer diameter **OD** of the unstressed nozzle ring exceeds the inner diameter ring **Z** of the recessed well of the holder by less than 10%, and in certain embodiments by an amount between about 1% and 3%. As illustrated in Fig. 3A, when an oversized nozzle ring is press-fit into recessed well 54 of a holder 50, the planar configuration of flat surface 40 of nozzle ring 21 will tend to become distorted into a curved or conical shape, so that pressure forces applied to the upstream side of nozzle ring 21 will have a tendency to attempt to flatten and expand the outer diameter of the nozzle ring, thereby



increasing the retaining force supplied by the inner walls of the recessed well, thus improving sealing and retention of the nozzle ring.

As mentioned above in the context of Figs. 2A and 2B, for certain embodiments in which a curved surface 42 of a nozzle ring mates with a seating surface 58 of a holder, it may be advantageous, for providing increased surface area of contact between the ring and the seating surface, that the seating surface be slanted or beveled. Such a slanted or beveled seating surface can be formed via a variety of conventional machining techniques and can comprise, for example, a counter bore providing essentially flat angled surfaces, a counter sync bore, providing conical seating surfaces, or a ball seat, providing curved seating surfaces. In certain embodiments, it is preferred that the seating surface be beveled with a counter sync bore, thereby providing conical seating surfaces.

As mentioned above, it is desirable that the nozzle assemblies formed according to the invention be able to withstand desirable operating pressures for forming liquid jets without failure, undesirable leakage, or undesirable misorientation of a liquid jet due to displacement of the nozzle-providing component within the holder. For example, in certain embodiments, it is desirable for a nozzle-providing component to be secured and retained by the holder sufficiently such that the nozzle assembly is able to withstand an internal liquid pressure of at least about 1,000 psig without failure, in certain embodiments, at least about 2,000 psig without failure, in certain embodiments, at least about 3,000 psig without failure, in certain embodiments, at least about 5,000 psig without failure, in certain embodiments, at least about 10,000 psig without failure, in certain embodiments, at least about 15,000 psig without failure, in certain embodiments, at least about 30,000 psig without failure, and yet in other embodiments, at least about 50,000 psig or more without failure.

For added strength and stability, especially for embodiments in which the outer diameter OD of nozzle ring 21 is the same as or somewhat less than inner diameter Z of recessed well 54 of a holder of a nozzle assembly of the invention, an additional retaining element, such as retaining element 72, can be provided downstream of the nozzle ring 21 to retain and secure it within the nozzle assembly. Such a retaining element can be any suitable retaining means such as one of those previously mentioned. In certain embodiments, retaining element 72 can comprise a rigid ring or disk press-fit into the recessed well, or a weld or solder bead. In another embodiment, as illustrated in Fig. 3B, the retaining element can comprise a region 74 of tubing 52 at its distal tip and downstream of nozzle ring 21 that

has been crimped, for example with a crimping die 76 to compress the tubing downstream of the ring so that the nozzle ring is securely contained within nozzle assembly 70'.

Fig. 3C illustrates an embodiment of a nozzle assembly 70'' utilizing holder 50'' illustrated and discussed above in the context of Fig. 2C. In nozzle assembly 70'', seating surface 58' is located downstream of nozzle ring 21, such that pressurized liquid passing through the nozzle ring and forming the liquid jet tends to force flat surface 40 of the nozzle ring into contact with planar seating surface 58'. In the embodiment illustrated in Fig. 3C, a retaining element 78 is used to hold nozzle ring 21 in place in recessed well 54 of holder 50''. Retaining element 78 may be inserted via press fitting with a swage 80 to provide sufficient retaining force to hold nozzle ring 21 in place. Alternatively, with or without retaining element 78, a swaging device such as swage 80 could be used to deform the upper edge 82 of recessed well 54 sufficiently to retain nozzle ring 21. Because, in operation, nozzle ring 21 is not subject to large forces tending to displace it within recessed well 54 of nozzle assembly 70'', the retaining element need not be particularly rigid or robust and may comprise elements such as, for example, a porous screen, mesh, disk of filter paper, porous plug, etc. Such retaining elements can also, in certain embodiments, provide a desirable filtering function to prevent debris from lodging within a nozzle 30 of nozzle ring 21 during operation.

Figs. 4A-4E illustrate one exemplary embodiment of a surgical instrument provided according to the invention employing an inventive nozzle or nozzle assembly of the invention and/or an inventive nozzle alignment component of the invention. It must be emphasized that the exemplary embodiment illustrated is merely one of a large variety of instruments having a wide variety of configurations and utilizing liquid jets for a wide variety of purposes for which the inventive nozzle or nozzle assemblies and/or nozzle alignment components of the invention can be utilized. For example, while the liquid jet formed by instrument 100 illustrated in Fig. 4A is utilized for cutting and/or ablating and evacuating tissue 102 of a patient, in other embodiments, the liquid jet may be utilized for other purposes. For example, the liquid jet may, in certain embodiments, be utilized solely to drive evacuation and/or for driving rotation of a rotatable component of the instrument, such as a grinding burr or drill. In addition to surgical instrument 100 illustrated in Figs 4A-4E, the inventive nozzles or nozzle assemblies and/or nozzle alignment components described herein could be utilized for constructing other liquid jet-forming surgical instruments described, for example, commonly-

owned U.S. Patent Nos. 5,944,686; 6,375,635 and 6,511,493, and commonly-owned U.S. Patent Publication 2003/0125660 A1, incorporated by reference above.

Additionally, because many of the configurations, dimensions, materials, methods of fabrication, geometric and dimensional relationships between components, etc. of surgical liquid jet instrument **100** have been previously described in detail in, for example, commonly-owned U.S. Patent Nos. 5,944,686; 6,375,635 and 6,511,493, and commonly-owned U.S. Patent Publication 2003/0125660 A1, such details are not repeated herein. The reader is referred to the above-mentioned US patents and patent publication for more details. In general, the various materials, configurations, dimensions, interrelationships, etc. recited in the above-mentioned commonly owned U.S. patents and patent publication are applicable in forming surgical liquid jet instruments, such as liquid jet instrument **100**, according to the present invention, except as noted below. For example, surgical jet instruments according to the present invention, in certain embodiments, will include one or more of the above-described inventive nozzles or nozzle assemblies and/or the above-and below-described nozzle alignment components specifically set forth and described herein.

Figs. 4A and 4B illustrate one embodiment of an assembled surgical handpiece instrument **100** having a distal end **103** including one embodiment of a nozzle alignment component **104** (illustrated in greater detail in Figs. 4C-4E) provided according to the invention. Tissue to be treated with the surgical hand piece is denoted at **102**. High pressure lumen **106** and evacuation lumen **108** enter handpiece body **110**, which in the illustrated embodiment, comprises two mated sections **112** and **114**. In certain embodiments, body **110** need not be pressure-tight (i.e., it need not sustain internal pressure). In such embodiments, body **110** can advantageously include slots or other openings connecting the inside of the body to the surrounding atmosphere to facilitate sterilization of the internal components within the body. Components **112** and **114** of hand piece body **110** can be connected together by any convenient means apparent to those of ordinary skill in the art such as including, but not limited to, screw connectors, tab-in-slot connections, adhesives, etc.

Two tubes emerge from the proximal end **116** of the hand piece body: a low pressure evacuation tube **118** and a flexible high pressure hose **120**, each of which can be made of a variety of suitable materials as would be apparent to those of ordinary skill in the art. In one particular embodiment, each of the above-mentioned tubes is made of a suitable polymeric material. Connections within body **110** facilitating fluid communication between high

pressure lumen **106** and flexible high pressure hose **120** and between evacuation lumen **108** and low pressure evacuation tube **118** are illustrated in Fig. 4B. While, in the illustrated embodiment high pressure connection **122** and low pressure connection **124** are located within handpiece body **110**, in alternative embodiments, the connections can be made either

5 proximally or distally of the handpiece body. In yet other embodiments, high pressure lumen **106** and/or evacuation lumen **108** may simply be provided having a length sufficient to extend completely through handpiece body **110** and, alternatively, proximally thereof, such that a separate high pressure line and suction tube need not be provided. High pressure connection **122** can comprise a wide variety of high pressure fittings rated to withstand

10 applied operating pressures, which connections are well known to those skilled in the art and are described in greater detail in commonly-owned US Patent No. 6,375,635. Similarly, low pressure connector **124** can be any of a wide variety of suitable tubing connections well known to those of ordinary skill in the art and as described in the above-mentioned US Patent No. 6,375,635.

15 High pressure hose **120** is connected to a source of pressurized liquid (e.g., a high pressure pump-not shown). Evacuation tube **118** can be connected to a suitable container for containing and storing recovered fluid and debris, and, optionally, containing a filtered outlet for entrained air (not shown). In certain embodiments, the evacuation lumen **108** is shaped and positionable to enable it to remove from a surgical site at least a portion of tissue excised

20 by the liquid jet formed by the nozzle during operation. In certain embodiments, the evacuation lumen is shaped and positionable to enable evacuation of essentially all of the liquid comprising the liquid jet from jet receiving opening **126** of the evacuation lumen **108** to the proximal end **116** of the instrument, without the need for an external source of suction. In other embodiments, wherein the surgical handpiece requires or utilizes a source of external

25 suction to facilitate evacuation, evacuation tube **118** can be connected in fluid communication with a suitable source of suction, such as a vacuum pump, aspirator, house vacuum line, etc.

In certain embodiments, especially those in which the evacuation lumen is shaped and positionable to enable evacuation of liquid and debris without the need for an external source of suction, evacuation efficiency can be enhanced by providing an enlargement in the internal

30 diameter of the evacuation plumbing - for example in evacuation lumen **108** and/or between evacuation lumen **108** and evacuation tube **118** - proximally of jet-receiving opening **126** and any optional constriction forming a venturi (not shown). In certain such embodiments, the

inner diameter of the evacuation lumen and/or evacuation tube increases from a certain minimum value at a first, distal location to a certain maximum value at a more proximal location. More detail concerning the configuration of the evacuation lumen in such embodiments can be found in commonly-owned U.S. Patent No. 6,375,635 and the U.S. Patent Publication No. 2003/0125660 A1. Such an expansion advantageously provides a diffuser element able to bring about the above-mentioned enhanced suction effect. In certain embodiments, such a diffuser may be provide by simply expanding the internal diameter of the evacuation lumen at some point along its length downstream of jet-receiving opening **126**. In one such embodiment, such a diffuser may be effected by, for example, making the jet-receiving opening inner diameter somewhat smaller than the inner diameter of the evacuation lumen at any point downstream of the jet-receiving opening. In the above and/or other embodiments, an expansion can be provided by interconnecting the evacuation lumen to evacuation tubing **118** having a somewhat larger internal diameter than the evacuation lumen. An exemplary expansion of the evacuation line provided at an interconnection between the evacuation lumen and the evacuation tube could be provided by interconnecting an evacuation lumen having a selected internal diameter, for example of between about 0.1 inch and about 0.6 inch, with evacuation tubing having internal diameter exceeding that internal diameter of the evacuation lumen by about 5% to 150% percent, in certain embodiments between about 20% and 120%, depending on the degree of suction enhancement desired.

The configuration of the illustrated embodiment of a nozzle alignment component **104** and the liquid jet-forming components at the distal end **103** of surgical instrument **100** are illustrated in greater detail in Figs. 4C-4E. Fig. 4C illustrates distal end **103** of instrument **100** in cross section, and Figs. 4D and 4E present more detailed views of nozzle alignment component **104**. Referring now to Fig. 4C, distal tip **128** of pressure lumen **106**, in the illustrated embodiment, includes nozzle assembly **70'** described above in the context of Fig. 3B. As discussed above, the smoothly tapering shape of nozzle ring **21** of nozzle assembly **70'** provides an enhanced vena contracta effect reducing or eliminating fluid pinch that can occur when fluid enters a sharp-edge constriction and does not follow the wall of the nozzle initially such that eddies can form between the outer streamlines and the nozzle wall, thereby decreasing efficiency. By contrast, by utilizing nozzle ring **21** of nozzle assembly **70'** in surgical instrument **100**, the streamlines of fluid flow tend to enter the nozzle smoothly and

less energy is lost in eddies, leading to increased jet velocity, reduced pressure drop and increased collimation of liquid jet **130** formed by nozzle assembly **70'**.

As mentioned above, when utilizing certain nozzle assembly configurations provided according to the invention, such as nozzle assembly **70'** as illustrated in Fig. 4C, a liquid jet

5 **130** can be formed that remains collimated over a substantially greater jet length **JL** than for typical conventional prior art nozzle surgical liquid jet instrument nozzle designs. For example, in certain embodiments of the invention, liquid jet instrument **100** utilizing nozzle assembly **70'** including a nozzle ring **21** fabricated as described above in the context of Figs. 1A-1E and having a jet opening diameter **ND** of about 0.0031 inch, can form and emit a

10 liquid jet **130** that does not disperse to the point where a diameter of the expanded base of the jet **132** is three times as great as the initial diameter **ND** of the jet for at least about 0.75 inch at supply pressures ranging from about 3,000 psig to over 12,000 psig. This particular example corresponds to a cone angle ( $2 \times A$  as shown in Fig. 4C) of about 7.1 degrees. This cone angle is substantially less than, and the collimated jet length is substantially longer than,

15 that achievable for a comparable, conventional, non-tapered nozzle having the same jet opening diameter (which would yield a liquid jet having a cone angle of about  $20^\circ$  or greater). In certain embodiments, liquid jet **130** formed by nozzle assembly **70'** in liquid jet instrument **100** can have a cone angle less than 10 degrees, and in certain embodiments between 3 degrees and 6 degrees. This collimation allows the ability to provide longer liquid

20 jet lengths **JL** than typically provided in conventional surgical liquid jet instruments, for example, liquid jet lengths not less than 5 mm., and certain embodiments not less than 10 mm., in certain embodiments between 10mm and 20 mm, and in certain embodiments between 13mm and 16 mm.

Although the semicircular cross-sectional profile of nozzle ring **21**, described

25 previously, is believed to be particularly efficient, in certain embodiments, significant improvement, over typical conventional surgical liquid jet nozzle designs, can be obtained utilizing other nozzle configurations in which a liquid flow passage through the nozzle has a diameter that continuously decreases along at least a portion of a liquid flow path through the nozzle. Such tapers can at least partially obviate the effects of flow path sharp edges. Such

30 tapered nozzles can be produced by a variety of techniques, such as for example the above-mentioned photolithographic/electrodeposition technique, as well as by techniques such as micro-machining of blanks by various known micro machining methods, etc.

For certain embodiments of surgical instruments utilizing inventive nozzles and/or nozzle assemblies producing highly collimated jets, e.g. those producing a liquid jet having a cone angle less than about 10 degrees, the evacuation lumen **108** can be configured to have a somewhat different relationship of internal diameter to liquid jet dispersed diameter at the inlet to the evacuation lumen than has been described in Applicant's U.S. Patent No. 6,375,635. Specifically, in such embodiments, when providing an evacuation lumen having a smallest internal diameter at the location of the jet-receiving opening, the jet-receiving opening can be sized so that it has a diameter of about 150% to 300% the diameter of a cross section of the base (e.g. **132**) of the dispersed jet **130** as it crosses the plane defining the jet-receiving opening. In other such embodiments, not illustrated, in which an evacuation lumen having a smallest internal diameter at a location of a necked-down constriction at the distal end of the evacuation lumen is provided, the jet-receiving opening can be sized so that it has a diameter between about 150% to about 400%, the diameter of a cross-section of the base of the dispersed jet as it crosses the plane defining the jet-receiving opening, and the minimum opening of the constriction can be sized so that it has a diameter of between about 100% to about 200% the diameter of the cross-section of the base of the dispersed jet as it crosses the plane defining the minimum diameter opening of the constriction.

The configuration and function of an exemplary embodiment of a nozzle alignment component is now explained with reference to Figs. 4C-4E. For embodiments of surgical liquid jet instruments, such as liquid jet instrument **100**, providing an evacuation lumen **108**, according to certain embodiments of the invention, an inventive nozzle alignment component **104** can be provided located at or near the distal end **103** of the instrument. The nozzle alignment component can be configured and positioned to connect to the pressure lumen and, upon connection to the pressure lumen to align the nozzle with respect to the evacuation lumen so that the liquid jet enters the jet-receiving opening along a desired trajectory, when the instrument is in operation. As illustrated, nozzle alignment component **104** comprises an insert including a groove or channel **140** therein that is sized and configured to contain and secure a distal region of pressure lumen **106**. Channel **140** may have a width and depth selected to mate with the outer diameter of high pressure lumen **106**, such that the high pressure lumen can "snap into" the groove, thereby securely retaining and immobilizing the pressure lumen with respect to the component. In certain embodiments, the connection between the high pressure lumen and the alignment component **104** can be provided or

- 30 -

enhanced by securing the high pressure lumen within groove 140 via other connection means, for example adhesives, welding, brazing, straps or clamps, etc. Prior to fabrication, the distal end of the high pressure lumen can be bent, for example on a mandrel, and, upon fabrication, snapped into groove 140 of nozzle alignment component 104.

5 As illustrated, a proximal region of nozzle alignment component 104 comprising a downstream end of the insert, includes a section 142 that is sized and configured to be insertable into the jet receiving opening 126 of evacuation lumen 108. For example, the outer diameter of section 142 of alignment component 104 may be equal to or slightly greater than the inner diameter of the distal end of evacuation lumen 108. If necessary or desired,  
10 downstream evacuation lumen connecting component 142 of nozzle alignment component 104 can be secured within the distal end of evacuation tube 108 via any one of wide variety of suitable means that would be apparent to those skilled in the art. In one exemplary embodiment, a compression sleeve, not shown, may be provided to securely interconnect downstream portion 142 of alignment component 104 within the distal end of evacuation  
15 lumen 108.

In the particular exemplary embodiment illustrated, nozzle alignment component 104 further comprises therein an elongated jet interacting channel 144, having a depth DC (see Fig. 4E) and a length JL, wherein the liquid jet interacting channel 144 includes a  
20 longitudinally-oriented opening 146 to the surrounding environment extending along at least a portion of its length and, as is illustrated, along essentially the entire length, of the channel. Adjacent to the longitudinally-oriented jet interacting channel 144 are tissue contacting surfaces 148, which can be apposed to tissue within a surgical operating field during use of the instrument to facilitate the desired depth of cut. In addition, in the particular embodiment illustrated, one or more vent apertures 150 may be provided that are configured and  
25 positioned to provide fluid communication between an interior region of channel 144 and the surrounding environment when the longitudinally-oriented opening 146 of channel 144 is occluded by contact with tissue in the operating field during use. The particular function and advantage of providing such as jet- interacting channel is described in much greater detail in Applicant's U.S. Patent Publication No. 2003/0125660 A1, referred to above.

30 An alternative configuration of a nozzle alignment component is illustrated in Figs. 5A and 5B and the distal portion of the pressure lumen mating with the nozzle alignment component, which distal portion of the pressure lumen is essentially identical to that



- 31 -

illustrated above in Fig. 4C, is shown in Figs. 5C and 5D. Fig. 5C illustrates the distal tip 128 of pressure lumen 106 prior to completion of formation of nozzle assembly 70', thus illustrating the appearance of holder 50 prior to insertion of nozzle ring 21 and the securing of the nozzle ring by crimping the distal tip of the pressure lumen, as is illustrated in the finished nozzle assembly 70' illustrated in Fig. 5D. Nozzle alignment component 104' is similar to nozzle alignment component 104 previously described except that the pressure lumen securing region of nozzle alignment component 104' positioned upstream of jet interacting channel 144 comprises a lumen 160, which completely surrounds the outer diameter of the distal portion 162 of pressure lumen 106 when the pressure lumen is inserted in to the nozzle alignment component 104'. During assembly of the distal end of an instrument including a nozzle component 104', pressure lumen 106 can be bent, on a mandrel, and, the bent distal portion of pressure lumen 106 can then be inserted into nozzle alignment component 104' by sliding the pressure lumen into groove 140 and lumen 160 in the direction of arrow 164.

Another alternative configuration for providing a distal end of a surgical liquid jet instrument providing a nozzle alignment component is illustrated in Figs. 6A-6D. Nozzle alignment component 170 is integrally formed in a distal portion of evacuation lumen 108' itself. As such, alignment component 170 is configured and positioned to connect to distal region 162' of pressure lumen 106, but is integrally formed as part of the distal end of evacuation lumen 108', rather than being interconnected to the evacuation as was the case with the configurations previously illustrated in Figs. 4A-5D.

Nozzle alignment component 170 also illustrates an embodiment utilizing a nozzle assembly 70'', previously illustrated and described in the context of Fig. 3C, in which liquid flow through the nozzle assembly tends to force nozzle ring 21 into sealing engagement with seating surfaces 58' of recessed well 54 of holder 50''. As previously discussed, retaining element 78 as illustrated, need not be particularly mechanically strong or provide a particularly high level of restraining force. In the illustrated embodiment, retaining element 78 comprises a disk of a porous material, for example filter paper or filter media, inserted upstream of nozzle ring 21. Upon assembly in forming a functional surgical instrument including nozzle alignment component 170, distal region 162' of pressure lumen 106 would be inserted in to the distal end 172 of recessed well 54 and affixed and secured therein, for example by welding, brazing, solder, tubing fittings, etc. A jet interacting channel 144'

having an opening **146'** interacting with a surrounding atmosphere and tissue contacting surfaces **148'** (Fig. 6C) can be fabricated from and evacuation lumen via cutting out a segment of the sidewall of the tubing comprising the evacuation lumen, as illustrated, or, in alternative embodiments, by forming a cavity in the side wall of the evacuation lumen by, for example pressing or stamping an indentation into the sidewall. Nozzle alignment component **170** and the nozzle assembly configuration and evacuation lumen configuration illustrated in Figs. 6A-6D have the advantage of being simple in configuration and easy to manufacture, because few parts are required, and the configuration can be prepared by machining, casting, or other convenient fabrication methods.

While several embodiments of the invention have been described and illustrated herein, those of ordinary skill in the art will readily envision a variety of other means and structures for performing the functions and/or obtaining the results or advantages described herein, and each of such variations, modifications and improvements is deemed to be within the scope of the present invention. More generally, those skilled in the art would readily appreciate that all parameters, dimensions, materials, and configurations described herein are meant to be exemplary and that actual parameters, dimensions, materials, and configurations will depend upon specific applications for which the teachings of the present invention are used. Those skilled in the art will recognize, or be able to ascertain using no more than routine experimentation, many equivalents to the specific embodiments of the invention described herein. It is, therefore, to be understood that the foregoing embodiments are presented by way of example only and that, within the scope of the appended claims and equivalents thereto, the invention may be practiced otherwise than as specifically described. The present invention is directed to each individual feature, system, material and/or method described herein. In addition, any combination of two or more such features, systems, materials and/or methods, provided that such features, systems, materials and/or methods are not mutually inconsistent, is included within the scope of the present invention. In the claims (as well as in the specification above), all transitional phrases or phrases of inclusion, such as "comprising," "including," "carrying," "having," "containing," "composed of," "made of," "formed of," "involving" and the like shall be interpreted to be open-ended, i.e. to mean "including but not limited to" and, therefore, encompassing the items listed thereafter and equivalents thereof as well as additional items. Only the transitional phrases or phrases of inclusion "consisting of" and "consisting essentially of" are to be interpreted as closed or

semi-closed phrases, respectively. In cases where the present specification and a document incorporated by reference include conflicting disclosure, the present specification shall control.

5           What is claimed:

1. A surgical instrument comprising:  
a nozzle assembly comprising a nozzle-providing component that is shaped to form a liquid jet; and  
5 a pressure lumen configured and positioned to convey a flow of liquid to the nozzle assembly; wherein  
the nozzle assembly comprises a holder that is configured to retain and position the nozzle-providing component, and wherein  
the nozzle-providing component comprises a liquid flow passage having a diameter  
10 that continuously decreases along at least a portion of a liquid flow path through the liquid flow passage.
2. The surgical instrument of claim 1, wherein  
the nozzle-providing component is positioned, during operation of the instrument, to direct the liquid jet so as to contact tissue of a patient during a surgical procedure.
- 15 3. The surgical instrument of claim 1, wherein the nozzle assembly further comprises:  
a holder that is configured to retain and position the nozzle-providing component;  
wherein  
the holder comprises a recessed well having a seating surface comprising a hole in the surface, which hole is in fluid communication with the pressure lumen, the hole having an  
20 inner diameter less than an outer diameter of the nozzle-providing component when the nozzle-providing component is contained within the recessed well of the holder, and wherein the recessed well of the holder has an inner diameter at least as great as the outer diameter of the nozzle-providing component when the nozzle-providing component is contained within the recessed well of the holder.
- 25 4. The surgical instrument of claim 1, wherein the nozzle assembly further comprises:  
a holder that is configured to retain and position the nozzle-providing component, the holder comprising a recessed well formed in the distal tip of the pressure lumen.
5. The surgical instrument of claim 1, wherein  
the nozzle-providing component comprises a ring having an outer diameter not  
30 greater than 0.1 inch and a height, as measured in a direction parallel to the longitudinal axis of a hole through the ring, less than the outer diameter.

6. The surgical instrument of claim 1, wherein the nozzle-providing component comprises a hole, defining a liquid flow path through a nozzle of the nozzle-providing component, which has surfaces that are optically smooth.
7. The surgical instrument of claim 1, wherein  
5 a ratio of a liquid flow path length through a nozzle of the nozzle-providing component to a minimum inner diameter of a jet-forming orifice of the nozzle does not exceed 4; and wherein the liquid jet formed by the instrument when in operation has a cone angle not exceeding 10 degrees.
- 10 8. The surgical instrument of claim 1, further comprising:  
an evacuation lumen comprising a jet-receiving opening locatable opposite a nozzle of the nozzle-providing component to receive at least a portion of the liquid jet emitted from the nozzle, when the instrument is in operation, and which is configured and positioned to convey a flow of liquid away from the jet-receiving opening; and  
15 a nozzle alignment component located at or near the distal end of the instrument that is configured and positioned to connect to the pressure lumen and the evacuation lumen and, upon connection to the pressure lumen and the evacuation lumen, to align the nozzle with respect to the evacuation lumen so that the liquid jet enters the jet-receiving opening along a selected trajectory, when the instrument is in operation.
- 20 9. The surgical instrument of claim 1, wherein the nozzle assembly is located at or near a distal end of the pressure lumen.
10. The surgical instrument of claim 1, wherein the nozzle-providing component comprises a liquid flow passage having a diameter that continuously decreases along essentially the entirety of the liquid flow path through the liquid flow passage.
- 25 11. The surgical instrument of claim 10, wherein the nozzle-providing component has the shape of a ring torus.
12. The surgical instrument of claim 11, wherein the ring torus is hemispherical, such that a cross-section of the ring torus, by a plane containing the longitudinal central axis of the hole of the ring torus, which comprises the liquid flow passage, has the shape of a semicircle.
- 30 13. The surgical instrument of claim 12, wherein the nozzle-providing component is formed by a process comprising electrodeposition of metal.

14. The surgical instrument of claim 1, further comprising:  
an evacuation lumen comprising a jet-receiving opening locatable opposite a nozzle of the nozzle-providing component to receive at least a portion of the liquid jet emitted from the nozzle, when the instrument is in operation, and which is configured and positioned to  
5 convey a flow of liquid away from the jet-receiving opening.
15. The surgical instrument of claim 1, wherein the pressure lumen is configured to enable it to convey a high-pressure liquid at a pressure of at least 1,000 psig.
16. The surgical instrument of claim 15, wherein the pressure lumen is configured to enable it to convey a high-pressure liquid at a pressure of at least 2,000 psig.
- 10 17. The surgical instrument of claim 16, wherein the pressure lumen is configured to enable it to convey a high-pressure liquid at a pressure of at least 3,000 psig.
18. The surgical instrument of claim 17, wherein the pressure lumen is configured to enable it to convey a high-pressure liquid at a pressure of at least 5,000 psig.
19. The surgical instrument of claim 18, wherein the pressure lumen is configured to  
15 enable it to convey a high-pressure liquid at a pressure of at least 10,000 psig.
20. The surgical instrument of claim 19, wherein the pressure lumen is configured to enable it to convey a high-pressure liquid at a pressure of at least 15,000 psig.
21. The surgical instrument of claim 20, wherein the pressure lumen is configured to enable it to convey a high-pressure liquid at a pressure of at least 30,000 psig.
- 20 22. The surgical instrument of claim 14, wherein the evacuation lumen includes an expansion in internal diameter at a point defining the location of the entrance of the jet-receiving opening or at a point downstream thereof for enhancing suction at the jet-receiving opening.
23. The surgical instrument of claim 14, wherein the evacuation lumen is shaped and  
25 positioned to enable it to remove from a surgical site at least a portion of tissue excised by the liquid jet formed by the nozzle during operation.
24. The surgical instrument of claim 14, wherein the evacuation lumen is shaped and positionable to enable evacuation of essentially all of the liquid comprising the liquid jet from the jet-receiving opening to a proximal end of the instrument, without the need for an external  
30 source of suction.

25. The surgical instrument of claim 14, wherein a distance separating the jet-receiving opening of the evacuation lumen from a jet opening of the nozzle defines a length of the liquid jet emitted from the nozzle.
26. The surgical instrument of claim 1, further comprising:  
5 a proximal end adapted to facilitate control of the instrument by an operator; and  
a handle at the proximal end of the instrument.
27. The surgical instrument of claim 26, wherein the handle comprises a grasping region shaped and positioned to facilitate gripping by a hand of an operator of the instrument.
28. A kit comprising the surgical instrument of claim 1, in combination with instructions  
10 directing an operator to dispose of at least a portion of the instrument after a single use.
29. The kit of claim 28, wherein the instructions direct an operator to dispose of the entire instrument after a single use.
30. A surgical instrument comprising:  
a nozzle assembly comprising a nozzle-providing component that is shaped to form a  
15 liquid jet; and  
a pressure lumen configured and positioned to convey a flow of liquid to the nozzle assembly; wherein  
the nozzle assembly comprises a holder that is configured to retain and position the  
nozzle-providing component; and wherein  
20 the holder comprises a recessed well having a seating surface comprising a hole,  
which hole is in fluid communication with the pressure lumen, the hole having an inner  
diameter less than an outer diameter of the nozzle-providing component when the nozzle-  
providing component is contained within the recessed well of the holder, and wherein the  
recessed well of the holder has an inner diameter at least as great as the outer diameter of the  
25 nozzle-providing component when the nozzle-providing component is contained within the  
recessed well of the holder.
31. The surgical instrument of claim 30, wherein the recessed well comprising the holder is formed in the distal tip of the pressure lumen.
32. The surgical instrument of claim 30, wherein the nozzle-providing component  
30 comprises a ring having an outer diameter not greater than 0.1 inch and a height, as measured  
in a direction parallel to the longitudinal axis of a hole through the ring, less than the outer  
diameter.

33. The surgical instrument of claim 30, wherein the nozzle-providing component comprises a hole, defining a liquid flow path through a nozzle of the nozzle-providing component, which has surfaces that are optically smooth.
34. The surgical instrument of claim 30, wherein  
5 a ratio of a liquid flow path length through a nozzle of the nozzle-providing component to a minimum inner diameter of a jet-forming orifice of the nozzle does not exceed 4; and wherein the liquid jet formed by the instrument when in operation has a cone angle not exceeding 10 degrees.
- 10 35. The surgical instrument of claim 30, further comprising:  
an evacuation lumen comprising a jet-receiving opening locatable opposite a nozzle of the nozzle-providing component to receive at least a portion of the liquid jet emitted from the nozzle, when the instrument is in operation, and which is configured and positioned to convey a flow of liquid away from the jet-receiving opening; and  
15 a nozzle alignment component located at or near the distal end of the instrument that is configured and positioned to connect to the pressure lumen and the evacuation lumen and, upon connection to the pressure lumen and the evacuation lumen, to align the nozzle with respect to the evacuation lumen so that the liquid jet enters the jet-receiving opening along a selected trajectory, when the instrument is in operation.
- 20 36. The surgical instrument of claim 30, wherein the holder comprises a recessed well formed in a side wall of the pressure lumen.
37. The surgical instrument of claim 30, wherein the holder comprises a recessed well formed in a plate.
38. The surgical instrument of claim 30, wherein the nozzle-providing component is  
25 secured and retained by the holder sufficiently such that the nozzle assembly is able to withstand an internal liquid pressure of at least about 1,000 psig without failure.
39. The surgical instrument of claim 38, wherein the nozzle-providing component is secured and retained by the holder sufficiently such that the nozzle assembly is able to withstand an internal liquid pressure of at least about 2,000 psig without failure.
- 30 40. The surgical instrument of claim 39, wherein the nozzle-providing component is secured and retained by the holder sufficiently such that the nozzle assembly is able to withstand an internal liquid pressure of at least about 3,000 psig without failure.



41. The surgical instrument of claim 40, wherein the nozzle-providing component is secured and retained by the holder sufficiently such that the nozzle assembly is able to withstand an internal liquid pressure of at least about 5,000 psig without failure.
- 5 42. The surgical instrument of claim 41, wherein the nozzle-providing component is secured and retained by the holder sufficiently such that the nozzle assembly is able to withstand an internal liquid pressure of at least about 10,000 psig without failure.
43. The surgical instrument of claim 42, wherein the nozzle-providing component is secured and retained by the holder sufficiently such that the nozzle assembly is able to  
10 withstand an internal liquid pressure of at least about 15,000 psig without failure.
44. The surgical instrument of claim 43, wherein the nozzle-providing component is secured and retained by the holder sufficiently such that the nozzle assembly is able to withstand an internal liquid pressure of at least about 30,000 psig without failure.
45. The surgical instrument of claim 30, wherein the holder is configured to retain and  
15 position the nozzle-providing component in a configuration in which the liquid jet formed by a nozzle of the nozzle-providing component is directed along a desired trajectory.
46. The surgical instrument of claim 45, wherein the seating surface is located downstream of the nozzle-providing component, such that pressurized liquid passing through the nozzle-providing component in forming the liquid jet tends to force a surface of the  
20 nozzle-providing component into contact with the seating surface.
47. The surgical instrument of claim 46, wherein the surface of the nozzle-providing component forced into contact with the seating surface by the pressurized liquid is planar.
48. The surgical instrument of claim 46, wherein the nozzle assembly further comprises a retaining element positioned in the holder upstream of the nozzle-providing component.
- 25 49. The surgical instrument of claim 48, wherein the retaining element comprises a porous screen, mesh, or disk of filter paper.
50. The surgical instrument of claim 45, wherein the seating surface is located upstream of the nozzle-providing component, such that pressurized liquid passing through the nozzle-providing component in forming the liquid jet tends to force away from the seating surface.
- 30 51. The surgical instrument of claim 50, wherein a surface of the nozzle-providing component adjacent the seating surface is curved, and wherein the seating surface is beveled

to increase an area of contact between the surface of the nozzle-providing component adjacent the seating surface and the seating surface.

52. The surgical instrument of claim 50, wherein the recessed well of the holder has an inner diameter greater than the outer diameter of the nozzle-providing component.

5 53. The surgical instrument of claim 52, wherein the nozzle assembly further comprises a retaining element positioned in the holder downstream of the nozzle-providing component.

54. The surgical instrument of claim 53, wherein the retaining element comprises a ring press-fit into the recessed well, a weld, or a crimp in a wall of tubing comprising the holder.

10 55. The surgical instrument of claim 50, wherein the recessed well of the holder has an inner diameter less than an outer diameter of the nozzle-providing component as measured when the nozzle-providing component is in an unstressed configuration prior to insertion into the recessed well of the holder.

15 56. The surgical instrument of claim 55, wherein the nozzle-providing component is press-fit into the recessed well and wherein the nozzle assembly does not include any retaining element positioned in the holder downstream of the nozzle-providing component.

57. The surgical instrument of claim 56, wherein the outer diameter of the nozzle-providing component as measured when the nozzle-providing component is in an unstressed configuration prior to insertion into the recessed well of the holder, exceeds the inner diameter of the recessed well of the holder by less than 10%.

20 58. The surgical instrument of claim 57, wherein the outer diameter of the nozzle-providing component as measured when the nozzle-providing component is in an unstressed configuration prior to insertion into the recessed well of the holder, exceeds the inner diameter of the recessed well of the holder by between 1% and 3%.

59. A surgical instrument comprising:

25 a nozzle assembly comprising a nozzle-providing component that is shaped to form a liquid jet; and

a pressure lumen configured and positioned to convey a flow of liquid to the nozzle assembly; wherein

30 the nozzle assembly comprises a holder that is configured to retain and position the nozzle-providing component, the holder comprising a recessed well formed in the distal tip of the pressure lumen.

60. The surgical instrument of claim 59, wherein  
the nozzle-providing component comprises a ring having an outer diameter not  
greater than 0.1 inch and a height, as measured in a direction parallel to the longitudinal axis  
of a hole through the ring, less than the outer diameter.
- 5 61. The surgical instrument of claim 59, wherein  
the nozzle-providing component comprises a hole, defining a liquid flow path through  
a nozzle of the nozzle-providing component, which has surfaces that are optically smooth.
62. The surgical instrument of claim 59, wherein  
a ratio of a liquid flow path length through a nozzle of the nozzle-providing  
10 component to a minimum inner diameter of a jet-forming orifice of the nozzle does not  
exceed 4; and wherein  
the liquid jet formed by the instrument when in operation has a cone angle not  
exceeding 10 degrees.
63. The surgical instrument of claim 59, further comprising:  
15 an evacuation lumen comprising a jet-receiving opening locatable opposite a nozzle  
of the nozzle-providing component to receive at least a portion of the liquid jet emitted from  
the nozzle, when the instrument is in operation, and which is configured and positioned to  
convey a flow of liquid away from the jet-receiving opening; and  
a nozzle alignment component located at or near the distal end of the instrument that  
20 is configured and positioned to connect to the pressure lumen and the evacuation lumen and,  
upon connection to the pressure lumen and the evacuation lumen, to align the nozzle with  
respect to the evacuation lumen so that the liquid jet enters the jet-receiving opening along a  
selected trajectory, when the instrument is in operation.
64. The surgical instrument of claim 59, wherein a seating surface of the holder is located  
25 upstream of the nozzle-providing component, such that pressurized liquid passing through the  
nozzle-providing component in forming the liquid jet tends to force away from the seating  
surface.
65. The surgical instrument of claim 64, wherein a surface of the nozzle-providing  
component adjacent the seating surface is curved, and wherein the seating surface is beveled  
30 to increase an area of contact between the surface of the nozzle-providing component  
adjacent the seating surface and the seating surface.

66. The surgical instrument of claim 64, wherein the recessed well of the holder has an inner diameter greater than the outer diameter of the nozzle-providing component.
67. The surgical instrument of claim 66, wherein the nozzle assembly further comprises a retaining element positioned in the holder downstream of the nozzle-providing component.
- 5 68. The surgical instrument of claim 67, wherein the retaining element comprises a crimp in a wall of tubing comprising the distal-most tip of the pressure lumen.
69. The surgical instrument of claim 64, wherein the recessed well of the holder has an inner diameter less than an outer diameter of the nozzle-providing component as measured when the nozzle-providing component is in an unstressed configuration prior to insertion into
- 10 the recessed well of the holder.
70. The surgical instrument of claim 69, wherein the nozzle-providing component is press-fit into the recessed well and wherein the nozzle assembly does not include any retaining element positioned in the holder downstream of the nozzle-providing component.
71. A surgical instrument comprising:
- 15 a nozzle assembly comprising a nozzle-providing component that is shaped to form a liquid jet; and
- a pressure lumen configured and positioned to convey a flow of liquid to the nozzle assembly; wherein
- the nozzle-providing component comprises a ring having an outer diameter not
- 20 greater than 0.1 inch and a height, as measured in a direction parallel to the longitudinal axis of a hole defining a liquid flow path through the ring, less than the outer diameter.
72. The surgical instrument of claim 71, wherein
- the surfaces of the hole defining a liquid flow path through the ring are optically smooth.
- 25 73. The surgical instrument of claim 71, wherein
- a ratio of the liquid flow path length through the ring to a minimum inner diameter of a jet-forming orifice of the ring does not exceed 4; and wherein
- the liquid jet formed by the instrument when in operation has a cone angle not exceeding 10 degrees.
- 30 74. The surgical instrument of claim 71, further comprising:
- an evacuation lumen comprising a jet-receiving opening locatable opposite a nozzle of the nozzle-providing component to receive at least a portion of the liquid jet emitted from

the nozzle, when the instrument is in operation, and which is configured and positioned to convey a flow of liquid away from the jet-receiving opening; and

a nozzle alignment component located at or near the distal end of the instrument that is configured and positioned to connect to the pressure lumen and the evacuation lumen and, upon connection to the pressure lumen and the evacuation lumen, to align the nozzle with respect to the evacuation lumen so that the liquid jet enters the jet-receiving opening along a selected trajectory, when the instrument is in operation.

75. The surgical instrument of claim 71, wherein the nozzle-providing component comprises a liquid flow passage having a diameter that continuously decreases along essentially the entirety of the liquid flow path through the liquid flow passage.

76. The surgical instrument of claim 75, wherein the nozzle-providing component has the shape of a ring torus.

77. The surgical instrument of claim 76, wherein the ring torus is hemispherical, such that a cross-section of the ring torus, by a plane containing the longitudinal axis of the hole defining the liquid flow path through the ring, has the shape of a semicircle.

78. The surgical instrument of claim 77, wherein the nozzle-providing component is formed by a process comprising electrodeposition of metal.

79. The surgical instrument of claim 71, wherein the outer diameter of the ring is between 0.02 inch and 0.1 inch.

80. The surgical instrument of claim 79, wherein the outer diameter of the ring is between 0.03 inch and 0.04 inch and the height of the ring is between 0.005 inch and 0.01 inch.

81. The surgical instrument of claim 80, wherein the outer diameter of the ring is about 0.034 inch.

82. The surgical instrument of claim 81, wherein the height of the ring is about 0.007 inch.

83. The surgical instrument of claim 71, wherein a minimum diameter of the hole defining a liquid flow path through the ring, which defines the initial diameter of the liquid jet, is between about 0.001 inch and 0.02 inch.

84. The surgical instrument of claim 83, wherein a minimum diameter of the hole defining a liquid flow path through the ring, which defines the initial diameter of the liquid jet, is between about 0.002 inch and 0.01 inch.

85. The surgical instrument of claim 84, wherein a minimum diameter of the hole defining a liquid flow path through the ring, which defines the initial diameter of the liquid jet, is between about 0.003 inch and 0.007 inch.
86. A surgical instrument comprising:  
5 a nozzle that is shaped to form a liquid jet; and  
a pressure lumen configured and positioned to convey a flow of liquid to the nozzle; wherein  
the nozzle comprises a hole, defining a liquid flow path through the nozzle, which has surfaces that are optically smooth.
- 10 87. The surgical instrument of claim 86, wherein  
a ratio of a liquid flow path length through the nozzle to a minimum inner diameter of a jet-forming orifice of the nozzle does not exceed 4; and wherein  
the liquid jet formed by the instrument when in operation has a cone angle not exceeding 10 degrees.
- 15 88. The surgical instrument of claim 86, further comprising:  
an evacuation lumen comprising a jet-receiving opening locatable opposite the nozzle to receive at least a portion of the liquid jet emitted from the nozzle, when the instrument is in operation, and which is configured and positioned to convey a flow of liquid away from the jet-receiving opening; and  
20 a nozzle alignment component located at or near the distal end of the instrument that is configured and positioned to connect to the pressure lumen and the evacuation lumen and, upon connection to the pressure lumen and the evacuation lumen, to align the nozzle with respect to the evacuation lumen so that the liquid jet enters the jet-receiving opening along a selected trajectory, when the instrument is in operation.
- 25 89. The surgical instrument of claim 86, further comprising:  
a nozzle assembly comprising a nozzle-providing component comprising the nozzle.
90. The surgical instrument of claim 89, wherein the nozzle-providing component comprises a liquid flow passage, defining the nozzle, having a diameter that continuously decreases along essentially the entirety of the liquid flow path through the liquid flow  
30 passage.
91. The surgical instrument of claim 90, wherein the nozzle-providing component has the shape of a ring torus.

92. The surgical instrument of claim 91, wherein the ring torus is hemispherical, such that a cross-section of the ring torus, by a plane containing the longitudinal axis of the hole defining the liquid flow path through the ring, has the shape of a semicircle.
93. The surgical instrument of claim 86, wherein the nozzle is formed by a process  
5 comprising electrodeposition of metal.
94. A surgical instrument comprising:  
a nozzle that is shaped to form a liquid jet; and  
a pressure lumen configured and positioned to convey a flow of liquid to the nozzle;  
wherein  
10 a ratio of a liquid flow path length through the nozzle to a minimum inner diameter of a jet-forming orifice of the nozzle does not exceed 4; and wherein  
the liquid jet formed by the instrument when in operation has a cone angle not exceeding 10 degrees.
95. The surgical instrument of claim 94, further comprising:  
15 an evacuation lumen comprising a jet-receiving opening locatable opposite the nozzle to receive at least a portion of the liquid jet emitted from the nozzle, when the instrument is in operation, and which is configured and positioned to convey a flow of liquid away from the jet-receiving opening; and  
a nozzle alignment component located at or near the distal end of the instrument that  
20 is configured and positioned to connect to the pressure lumen and the evacuation lumen and, upon connection to the pressure lumen and the evacuation lumen, to align the nozzle with respect to the evacuation lumen so that the liquid jet enters the jet-receiving opening along a selected trajectory, when the instrument is in operation.
96. The surgical instrument of claim 94, further comprising:  
25 a nozzle assembly comprising a nozzle-providing component comprising the nozzle.
97. The surgical instrument of claim 94, wherein the ratio of a liquid flow path length through the nozzle to a minimum inner diameter of a jet-forming orifice of the nozzle does not exceed 2.
98. The surgical instrument of claim 97, wherein the ratio of a liquid flow path length  
30 through the nozzle to a minimum inner diameter of a jet-forming orifice of the nozzle does not exceed 1.5.

99. The surgical instrument of claim 94, wherein the liquid jet formed by the instrument when in operation has a cone angle between 3 degrees and 6 degrees.
100. The surgical instrument of claim 95, wherein a distance separating the jet-receiving opening of the evacuation lumen from a jet opening of the nozzle defines a length of the liquid jet emitted from the nozzle.
101. The surgical instrument of claim 95, wherein the distance separating the jet-receiving opening of the evacuation lumen from a jet opening of the nozzle defining the length of the liquid jet emitted from the nozzle is not less than 5 mm.
102. The surgical instrument of claim 101, wherein the distance separating the jet-receiving opening of the evacuation lumen from a jet opening of the nozzle defining the length of the liquid jet emitted from the nozzle is not less than 10 mm.
103. The surgical instrument of claim 102, wherein the distance separating the jet-receiving opening of the evacuation lumen from a jet opening of the nozzle defining the length of the liquid jet emitted from the nozzle is between 10 mm and 20 mm.
104. The surgical instrument of claim 103, wherein the distance separating the jet-receiving opening of the evacuation lumen from a jet opening of the nozzle defining the length of the liquid jet emitted from the nozzle is between 13 mm and 16 mm.
105. A surgical instrument comprising:
- a pressure lumen configured and positioned to convey a flow of liquid comprising at or near its distal end a nozzle that is shaped to form a liquid jet;
  - an evacuation lumen comprising a jet-receiving opening locatable opposite the nozzle to receive at least a portion of the liquid jet emitted from the nozzle, when the instrument is in operation, and which is configured and positioned to convey a flow of liquid away from the jet-receiving opening; and
  - a nozzle alignment component located at or near the distal end of the instrument that is configured and positioned to connect to the pressure lumen and, upon connection to the pressure lumen, to align the nozzle with respect to the evacuation lumen so that the liquid jet enters the jet-receiving opening along a selected trajectory, when the instrument is in operation.
106. The surgical instrument of claim 105, wherein the nozzle alignment component is configured and positioned to connect to the pressure lumen and the evacuation lumen and, upon connection to the pressure lumen and the evacuation lumen, to align the nozzle with



respect to the evacuation lumen so that the liquid jet enters the jet-receiving opening along a selected trajectory, when the instrument is in operation.

107. The surgical instrument of claim 105, wherein the nozzle alignment component comprises an insert comprising a groove and/or lumen sized and configured to contain and  
5 secure a distal region of the pressure lumen.

108. The surgical instrument of claim 107, wherein a downstream end of the insert is sized and configured to be insertable in the jet-receiving opening of the evacuation lumen.

109. The surgical instrument of claim 105, wherein the nozzle alignment component comprises therein an elongated channel, having a depth and a length, the length being  
10 measured along a longitudinal axis of the channel, the channel including a longitudinally-oriented opening to a surrounding environment extending along at least a portion of the length of the channel, wherein

the channel is positioned adjacent to and downstream of the nozzle.

110. The surgical instrument of claim 109, wherein the instrument includes a tissue-  
15 contacting surface adjacent to at least a portion of the longitudinally-oriented opening of the channel and wherein the channel further includes at least one vent aperture configured and positioned to provide fluid communication between an interior region of the channel and the surrounding environment when the longitudinally-oriented opening of the channel is occluded.

20 111. A nozzle assembly of a liquid jet-forming surgical instrument comprising:  
a nozzle-providing component that is shaped to form a liquid jet; and  
a holder that is configured to retain and position the nozzle-providing component  
within the nozzle assembly, wherein  
the nozzle-providing component comprises a liquid flow passage having a diameter  
25 that continuously decreases along at least a portion of a liquid flow path through the liquid flow passage.

112. A nozzle assembly of a liquid jet-forming surgical instrument comprising:  
a nozzle-providing component that is shaped to form a liquid jet; and  
a holder that is configured to retain and position the nozzle-providing component  
30 within the nozzle assembly, wherein  
the holder comprises a recessed well having a seating surface comprising a hole,  
which hole is connectable in fluid communication with a source of pressurized liquid, the

- hole having an inner diameter less than an outer diameter of the nozzle-providing component when the nozzle-providing component is contained within the recessed well of the holder, and wherein the recessed well of the holder has an inner diameter at least as great as the outer diameter of the nozzle-providing component when the nozzle-providing component is
- 5 contained within the recessed well of the holder.
113. A nozzle assembly of a liquid jet-forming surgical instrument comprising:  
a nozzle that is shaped to form a liquid jet; wherein  
the nozzle comprises a hole, defining a liquid flow path through the nozzle, which has surfaces that are optically smooth.
- 10 114. A nozzle assembly of a liquid jet-forming surgical instrument comprising:  
a nozzle that is shaped to form a liquid jet; wherein  
a ratio of a liquid flow path length through the nozzle to a minimum inner diameter of a jet-forming orifice of the nozzle does not exceed 4; and wherein  
the liquid jet formed by the nozzle assembly when in operation has a cone angle not
- 15 exceeding 10 degrees.
115. A method for fabricating a nozzle assembly of a liquid jet-forming surgical instrument, comprising:  
affixing a nozzle-providing component in the shape of a ring, the nozzle-providing component having an outer diameter and a liquid flow passage through the nozzle-providing
- 20 component wherein the flow passage has a diameter that continuously decreases along at least a portion of a liquid flow path through the liquid flow passage, to or within a holder, the holder being connectable in fluid communication with a source of pressurized liquid, thereby forming the nozzle assembly, such that the nozzle assembly is able to withstand an internal liquid pressure of at least about 1,000 psig without failure.
- 25 116. The method of claim 115, further comprising before the affixing step:  
forming the holder.
117. The method of claim 116, wherein the forming step comprises creating a recessed well in a structure forming the holder, the well having a seating surface comprising a hole in the surface that is in fluid communication with a pressure lumen connectable with the source
- 30 of pressurized liquid and that has an inner diameter less than an outer diameter of the nozzle-providing component.

118. The method of claim 117, wherein during the affixing step, the nozzle-providing component is configured and positioned within the recessed well via mating interaction with contacting surfaces of the holder such that a liquid jet formed by a nozzle of the nozzle-providing component is directed along a desired trajectory.
- 5 119. The method of claim 118, wherein the nozzle-providing component has an upstream side and a downstream side, comprising inserting the nozzle forming component into the recessed well so that the seating surface contacts the downstream side of the nozzle-providing component.
120. The method of claim 119, wherein a downstream surface of the nozzle-providing  
10 component brought into contact with the seating surface is planar.
121. The method of claim 119, wherein after or during insertion of the nozzle-providing component into the recessed well, a retaining element is affixed to or within the holder upstream of the nozzle-providing component.
122. The method of claim 118, wherein the nozzle-providing component has an upstream  
15 side and a downstream side, comprising inserting the nozzle forming component into the recessed well so that the seating surface contacts the upstream side of the nozzle-providing component.
123. The method of claim 122, wherein an upstream surface of the nozzle-providing  
20 component adjacent the seating surface is curved, and wherein the seating surface is beveled to increase an area of contact between the surface of the nozzle-providing component adjacent the seating surface and the seating surface.
124. The method of claim 122, wherein the recessed well of the holder is created having an inner diameter greater than the outer diameter of the nozzle-providing component.
125. The method of claim 124, wherein after or during insertion of the nozzle-providing  
25 component into the recessed well, a retaining element is affixed to or within the holder downstream of the nozzle-providing component.
126. The method of claim 125, wherein the retaining element comprises a ring press-fit into the recessed well and/or a weld.
127. The method of claim 124, wherein after or during insertion of the nozzle-providing  
30 component into the recessed well, a retaining element is formed downstream of the nozzle-providing component by forming a crimp in a wall of tubing comprising the holder.

128. The method of claim 122, wherein the recessed well of the holder is created having an inner diameter less than an outer diameter of the nozzle-providing component as measured when the nozzle-providing component is in an unstressed configuration prior to insertion into the recessed well of the holder.
- 5 129. The method of claim 128, comprising press-fitting the nozzle-providing into the recessed well such that the nozzle assembly does not require or include any retaining element positioned in the holder downstream of the nozzle-providing component.
130. The method of claim 117, wherein the recessed well is created in the distal tip of the pressure lumen.
- 10 131. The method of claim 117, wherein the recessed well is created in the side wall of the pressure lumen.
132. The method of claim 117, wherein the recessed well is created in a plate.
133. The method of claim 115, wherein in the affixing step, the nozzle-providing component is secured and retained by the holder sufficiently such that the nozzle assembly is
- 15 able to withstand an internal liquid pressure of at least about 2,000 psig, without failure.
134. The method of claim 133, wherein in the affixing step, the nozzle-providing component is secured and retained by the holder sufficiently such that the nozzle assembly is able to withstand an internal liquid pressure of at least about 3,000 psig without failure.
135. The method of claim 134, wherein in the affixing step, the nozzle-providing
- 20 component is secured and retained by the holder sufficiently such that the nozzle assembly is able to withstand an internal liquid pressure of at least about 5,000 psig without failure.
136. The method of claim 135, wherein in the affixing step, the nozzle-providing component is secured and retained by the holder sufficiently such that the nozzle assembly is able to withstand an internal liquid pressure of at least about 10,000 psig without failure.
- 25 137. The method of claim 136, wherein in the affixing step, the nozzle-providing component is secured and retained by the holder sufficiently such that the nozzle assembly is able to withstand an internal liquid pressure of at least about 15,000 psig without failure.
138. The method of claim 137, wherein in the affixing step, the nozzle-providing component is secured and retained by the holder sufficiently such that the nozzle assembly is
- 30 able to withstand an internal liquid pressure of at least about 30,000 psig without failure.
139. A method of assembling at least a portion of a liquid jet-forming surgical instrument, comprising:

connecting at least a distal portion of a pressure lumen, the pressure lumen comprising at or near its distal end a nozzle that is shaped to form a liquid jet, and at least a distal portion of an evacuation lumen, the evacuation lumen comprising a jet-receiving opening locatable opposite the nozzle, to a nozzle alignment component located at or near the distal end of the instrument, such that upon connection of the pressure lumen and the evacuation lumen to the  
5 nozzle alignment component without further alignment steps, the nozzle is aligned with respect to the evacuation lumen so that a liquid jet formed by the nozzle enters the jet-receiving opening along a selected trajectory, when the instrument is in operation.

140. The method of claim 139, wherein the nozzle alignment component comprises an  
10 insert comprising a groove and/or lumen sized and configured to contain and secure a distal region of the pressure lumen, and wherein during the connecting step, the at least a distal portion of the pressure lumen is inserted and immobilized within the groove and/or lumen.

141. The method of claim 140, wherein a downstream end of the insert is sized and configured to be insertable in the jet-receiving opening of the evacuation lumen, and wherein  
15 during the connecting step the downstream end of the insert is inserted in the jet-receiving opening of the evacuation lumen and secured within the evacuation lumen.

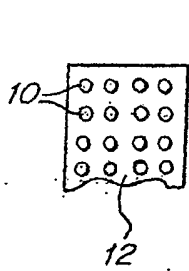


Fig. 1A

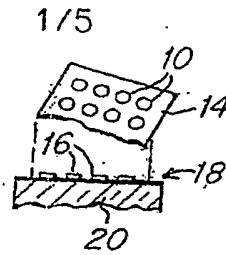


Fig. 1B

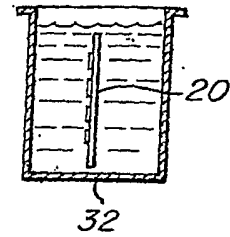


Fig. 1C

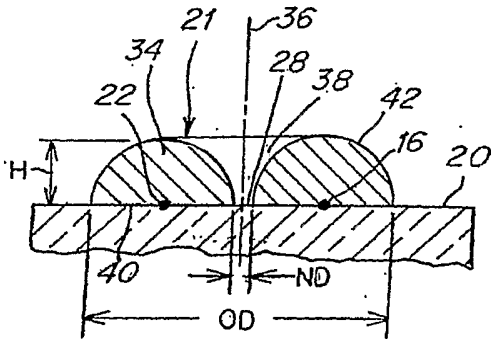


Fig. 1D

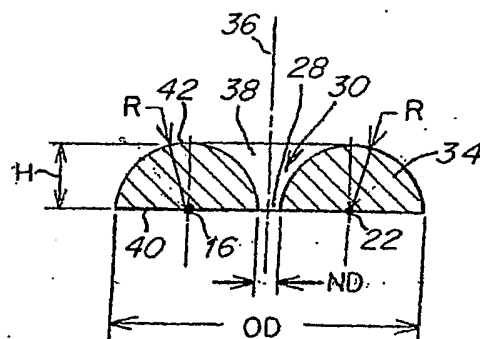


Fig. 1E

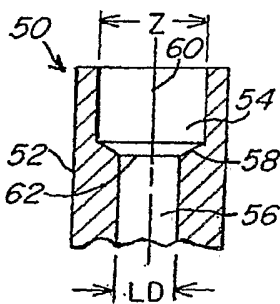


Fig. 2A

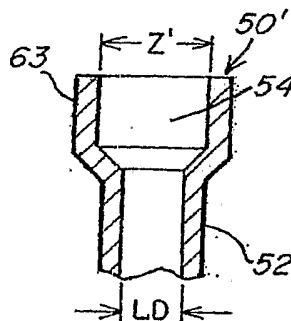


Fig. 2B

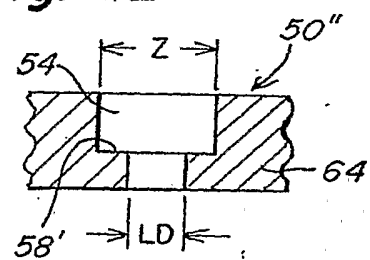


Fig. 2C

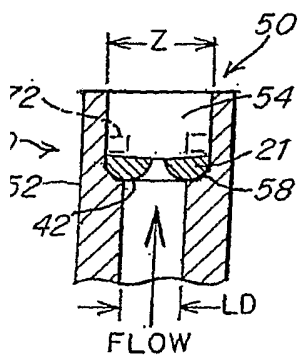


Fig. 3A

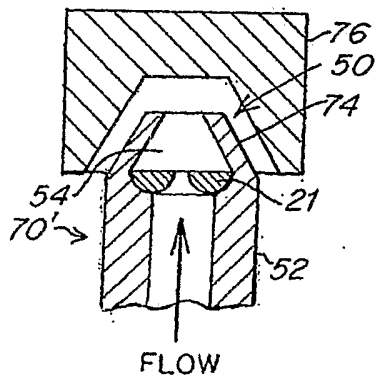


Fig. 3B

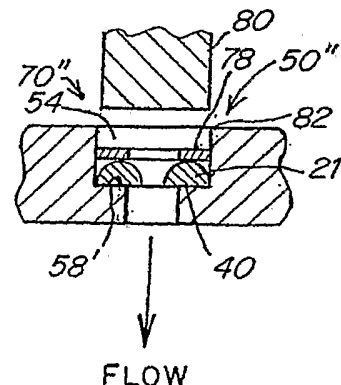
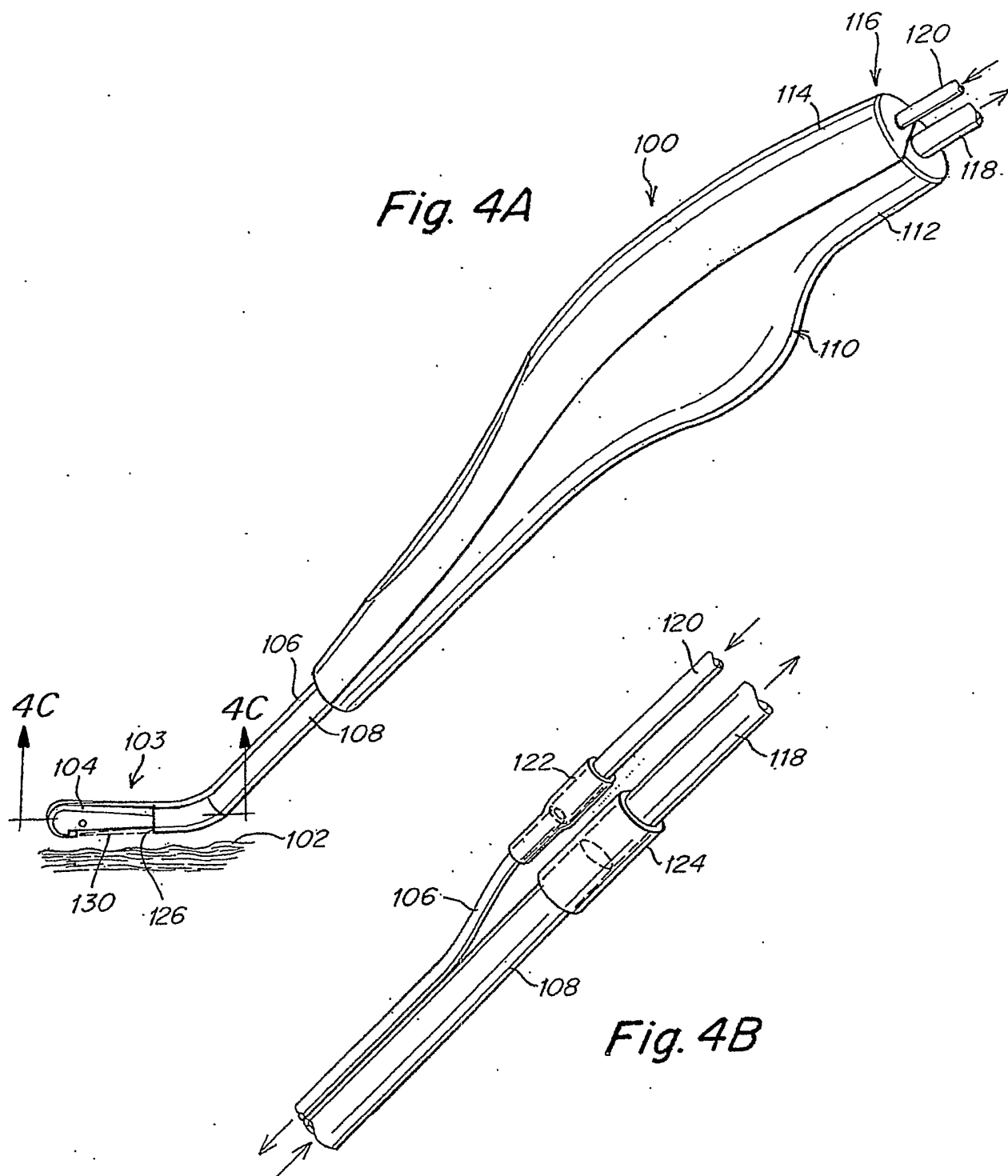


Fig. 3C



3/5

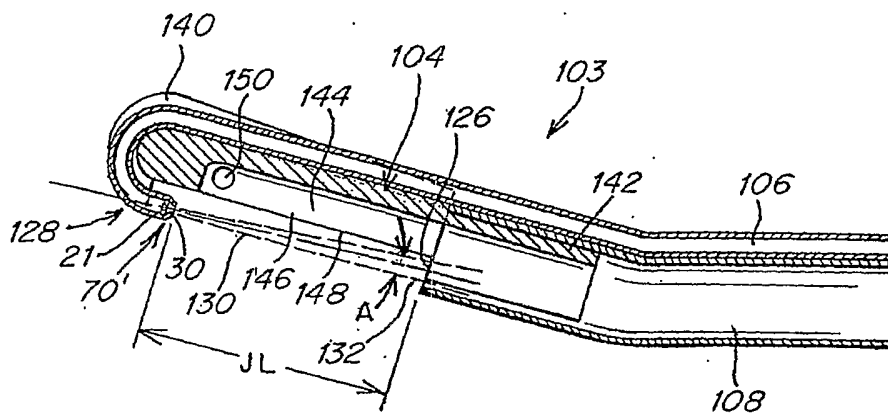


Fig. 4C

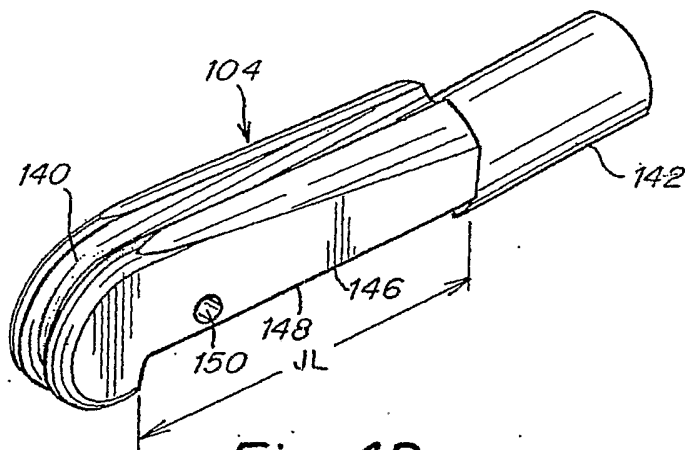


Fig. 4D

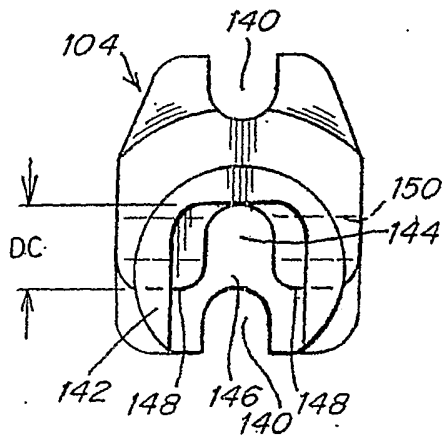


Fig. 4E



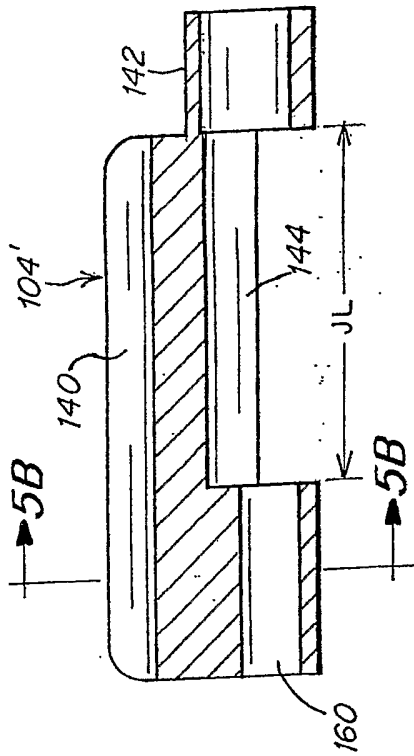


Fig. 5A

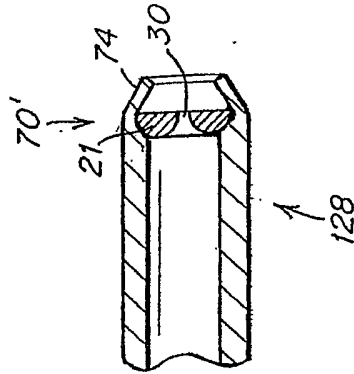


Fig. 5D

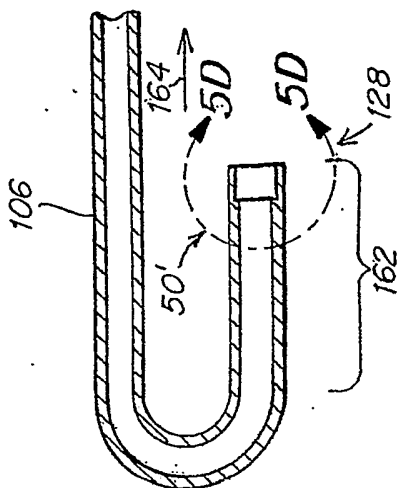


Fig. 5C

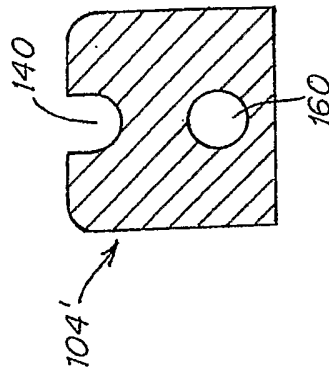


Fig. 5B

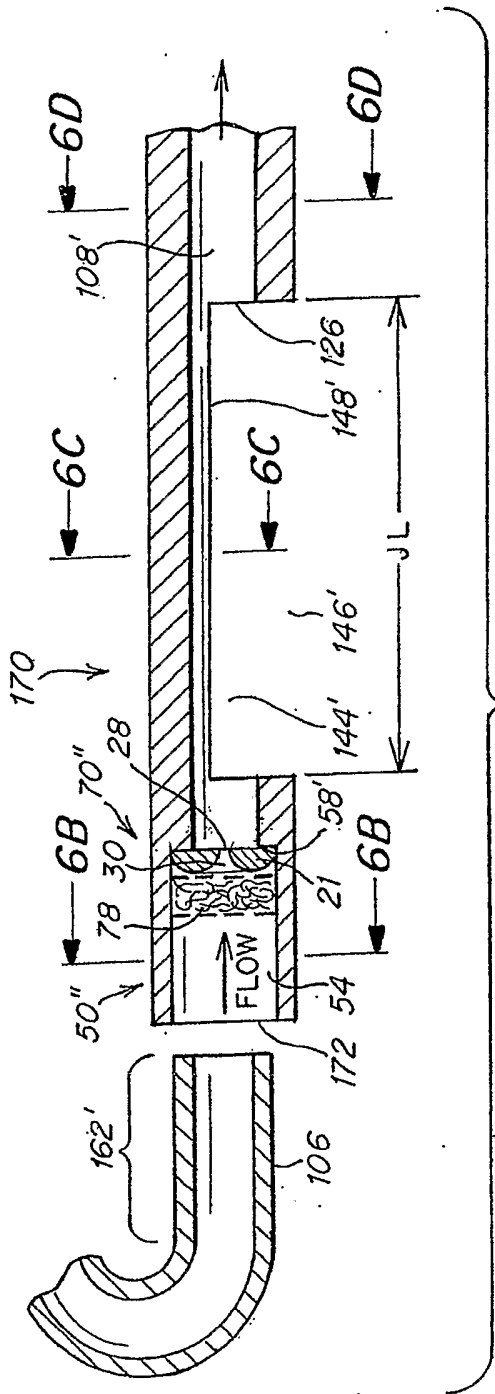


Fig. 6A

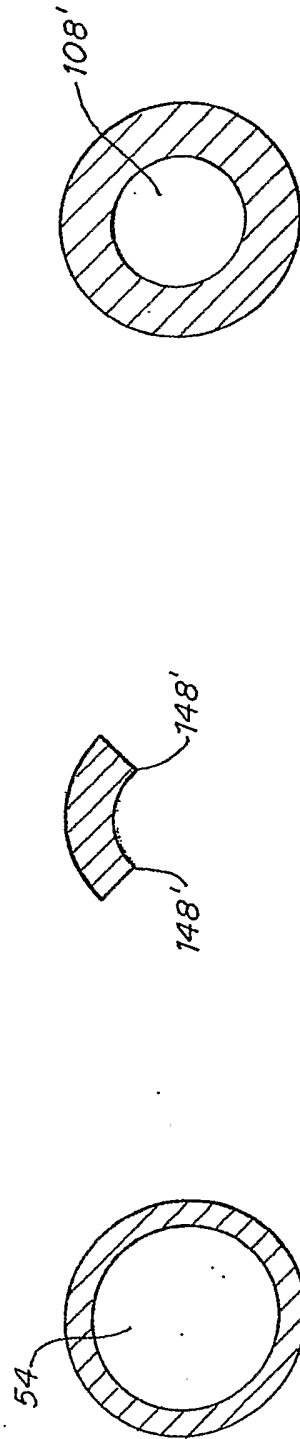


Fig. 6B

Fig. 6C

Fig. 6D