



US00D618652S

(12) **United States Design Patent**
Oh et al.

(10) **Patent No.:** **US D618,652 S**

(45) **Date of Patent:** **** Jun. 29, 2010**

(54) **MOBILE PHONE**

(75) Inventors: **Jong-Hoon Oh**, Seoul (KR);
Young-Keun Lee, Seoul (KR)

(73) Assignee: **Samsung Electronics Co., Ltd.**,
Suwon-Si (KR)

(**) Term: **14 Years**

(21) Appl. No.: **29/342,057**

(22) Filed: **Aug. 18, 2009**

(30) **Foreign Application Priority Data**

May 26, 2009 (KR) 30-2009-0022557

(51) **LOC (9) Cl.** **14-03**

(52) **U.S. Cl.** **D14/138 AD**

(58) **Field of Classification Search** D14/138 R,
D14/138 AD, 138 AC, 138 C, 138 G, 191,
D14/203.1-203.8, 496, 138 AA, 138 AB,
D14/247-248, 137, 147, 218, 341-347; D10/65,
D10/78, 104; D13/168; D18/7; 455/566,
455/575.1, 575.3

See application file for complete search history.

(56) **References Cited**

U.S. PATENT DOCUMENTS

D498,754 S * 11/2004 Blyth D14/341
D503,699 S * 4/2005 Lee et al. D14/138 AD
D511,342 S * 11/2005 Chien D14/346
D519,998 S * 5/2006 Park D14/346
D533,530 S * 12/2006 Kim et al. D14/138 AC
D543,176 S * 5/2007 Hyun et al. D14/138 G
D547,292 S * 7/2007 Kim et al. D14/138 AC
7,269,450 B2 * 9/2007 Lee et al. 455/575.1
D558,725 S * 1/2008 Wang D14/138 AD

D560,193 S * 1/2008 Sung et al. D14/138 AD
D563,936 S * 3/2008 Kim et al. D14/138 AD
D565,533 S * 4/2008 Kim et al. D14/138 AD
D572,685 S * 7/2008 Peng D14/138 G
D572,695 S * 7/2008 Tu D14/138 AD
D580,430 S * 11/2008 Wei D14/341

(Continued)

OTHER PUBLICATIONS

Asus P552w, announced Sep. 2008, [online], [retrieved on Oct. 3, 2008]. Retrieved from Internet ,<URL: http://www.gsmarena.com>.*

(Continued)

Primary Examiner—Jeffrey D Asch
Assistant Examiner—Bridget L Eland
(74) *Attorney, Agent, or Firm*—Staas & Halsey LLP

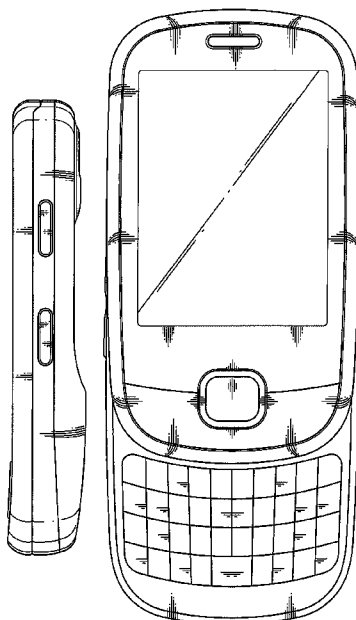
(57) **CLAIM**

The ornamental design for a mobile phone, as shown and described.

DESCRIPTION

FIG. 1 is a front perspective view of a mobile phone;
FIG. 2 is a front view of the mobile phone of FIG. 1;
FIG. 3 is a rear view of the mobile phone of FIG. 1;
FIG. 4 is a left-side view of the mobile phone of FIG. 1;
FIG. 5 is a right-side view of the mobile phone of FIG. 1;
FIG. 6 is a top plan view of the mobile phone of FIG. 1;
FIG. 7 is a bottom plan view of the mobile phone of FIG. 1;
FIG. 8 is a front open view of the mobile phone of FIG. 1; and,
FIG. 9 is another front perspective open view of the mobile phone of FIG. 1.

1 Claim, 6 Drawing Sheets



US D618,652 S

Page 2

U.S. PATENT DOCUMENTS

D601,993 S * 10/2009 Yun et al. D14/138 AD
D603,822 S * 11/2009 Ho et al. D14/138 AD
D605,159 S * 12/2009 Kim et al. D14/138 AB
D605,621 S * 12/2009 Kim et al. D14/138 AD
D606,958 S * 12/2009 Knoppert et al. D14/138 AD
D607,428 S * 1/2010 Kim et al. D14/138 AD
2005/0070344 A1 * 3/2005 Im et al. 455/575.1
2005/0190291 A1 * 9/2005 Kota et al. 348/376
2006/0223596 A1 * 10/2006 Hur 455/575.4
2007/0021160 A1 * 1/2007 Li 455/575.4

2008/0280651 A1 * 11/2008 Duarte 455/566

OTHER PUBLICATIONS

LG GW620, announced Sep. 2009, [online], [retrieved on Sep. 14, 2009]. Retrieved from Internet ,<URL: <http://www.gsmarena.com>>.*

Samsung B5722, announced Nov. 2009, [online], [retrieved on Nov. 25, 2009]. Retrieved from Internet ,<URL: <http://www.gsmarena.com>>.*

Samsung A797 Flight, announced Oct. 2009, [online], [retrieved on Nov. 25, 2009]. Retrieved from Internet ,<URL: <http://www.gsmarena.com>>.*

* cited by examiner

FIG. 1

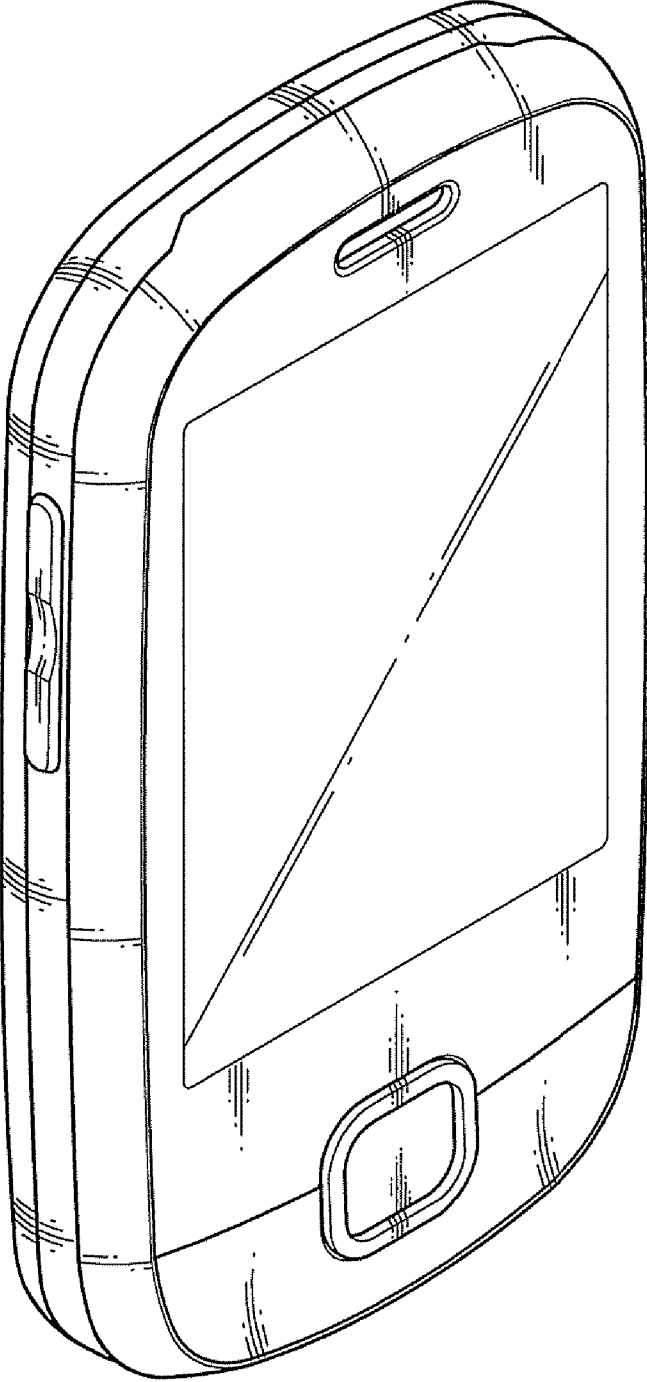


FIG. 2

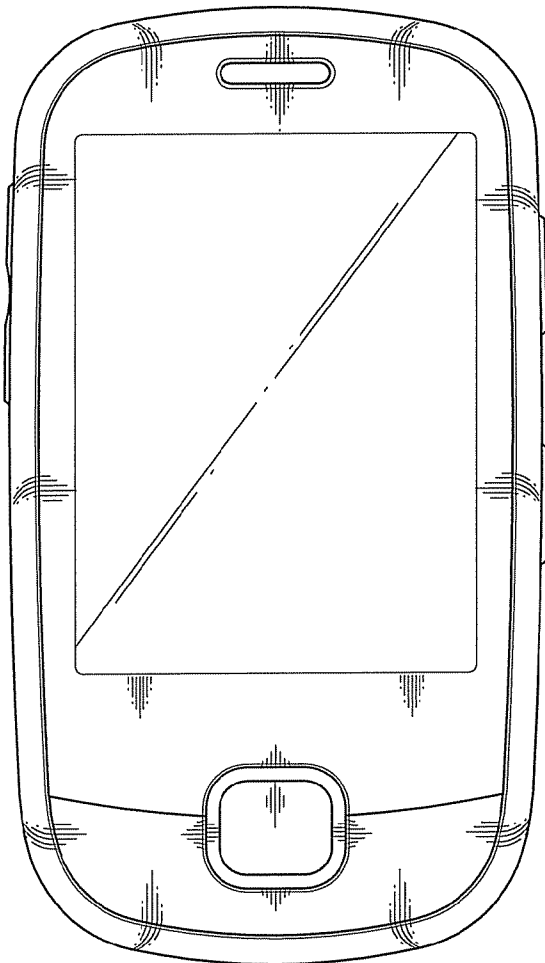


FIG. 3

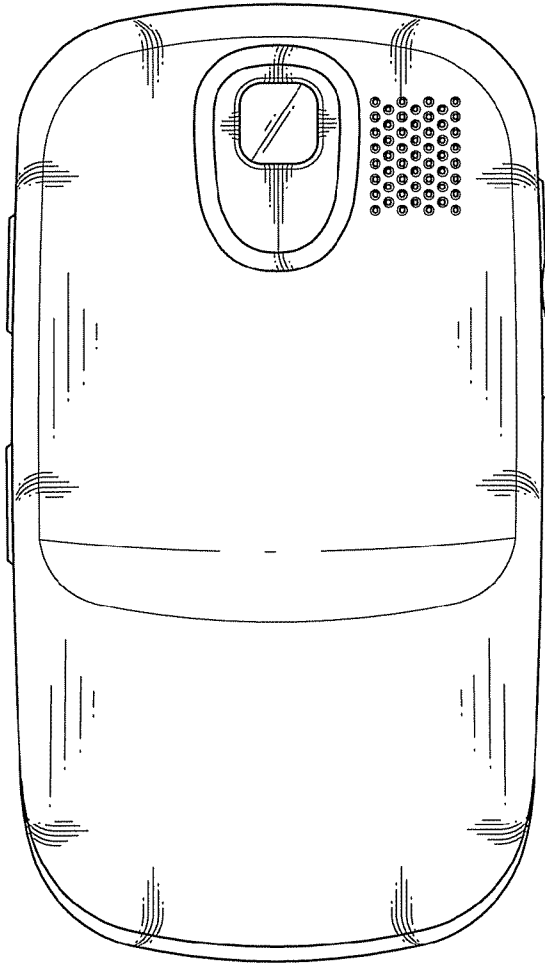


FIG. 4

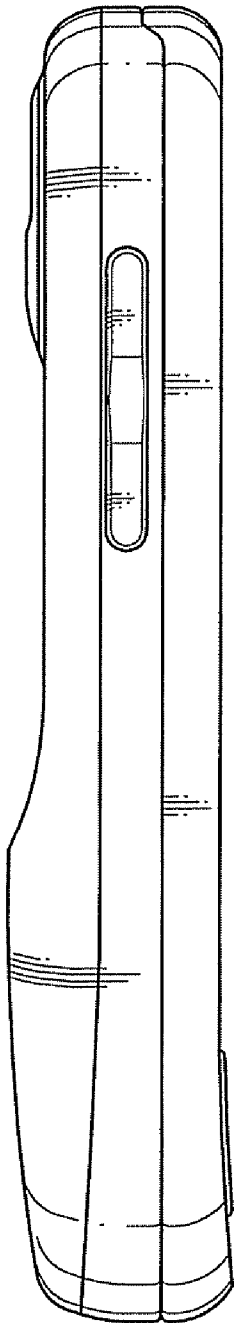


FIG. 5

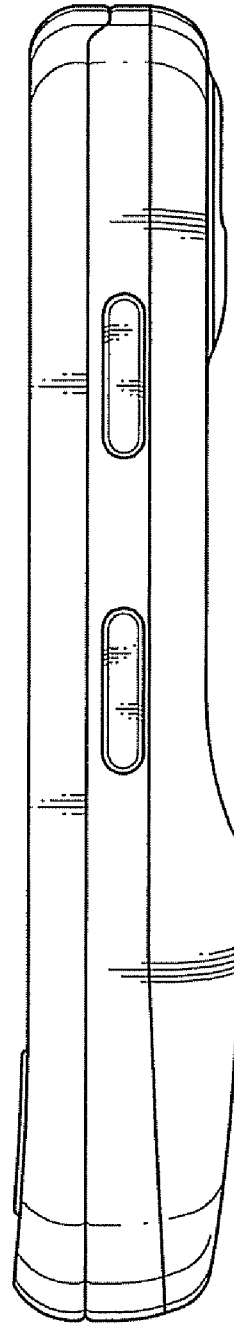


FIG. 6

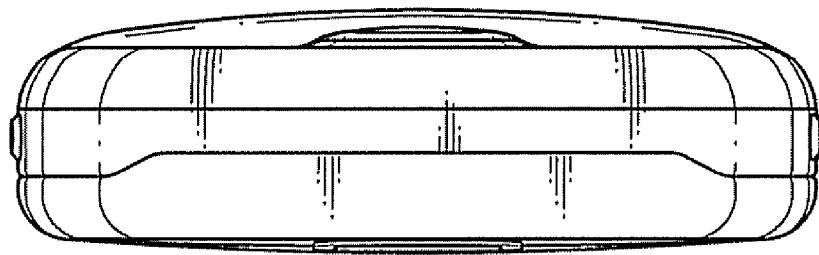


FIG. 7

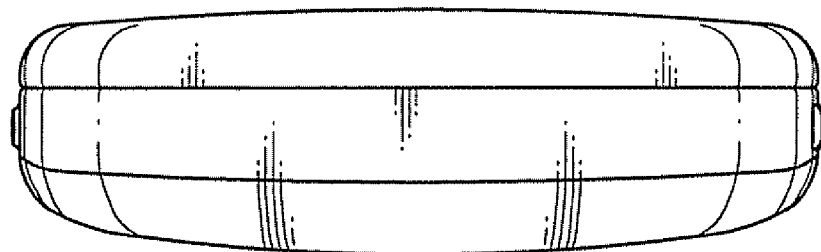


FIG. 8

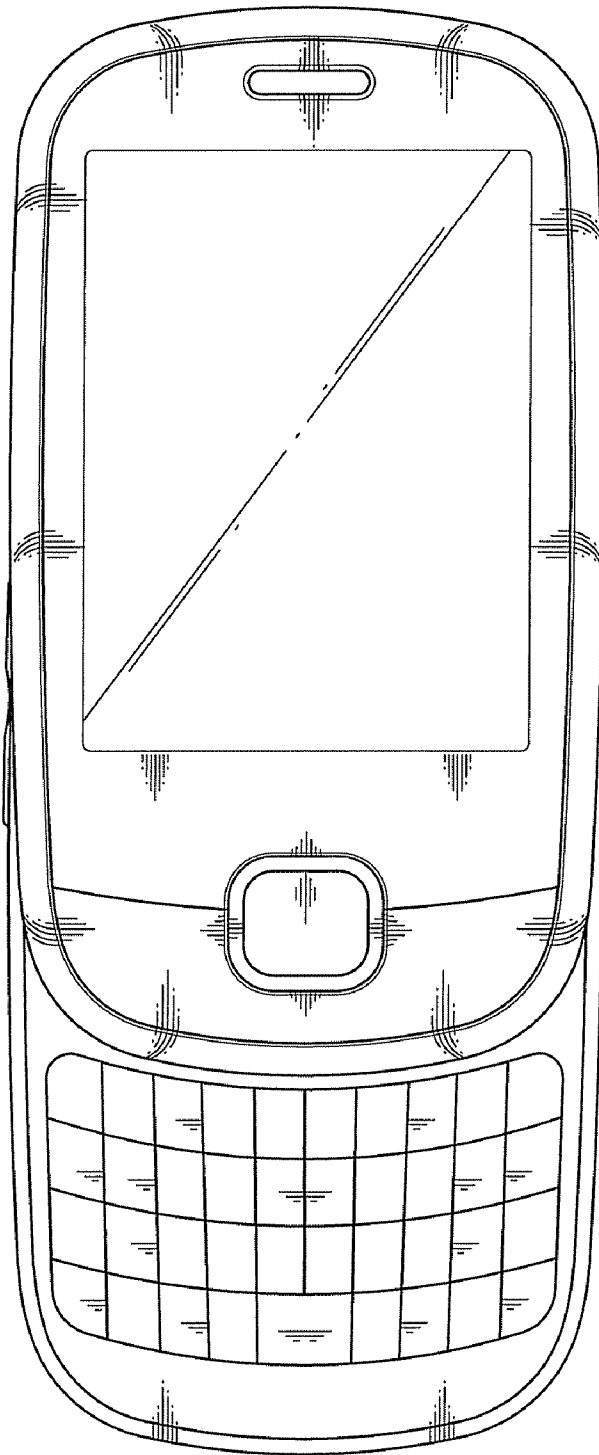


FIG. 9

