



US00D545507S

(12) **United States Design Patent**
Harper et al.

(10) **Patent No.:** **US D545,507 S**

(45) **Date of Patent:** **** Jun. 26, 2007**

(54) **PET KENNEL**

(75) Inventors: **Mike Harper**, Saginaw, TX (US); **Scott Skurdalsvold**, Mansfield, TX (US); **Ralph VanSkiver**, Mansfield, TX (US); **Melaney Northrop**, Arlington, TX (US)

(73) Assignee: **Doskocil Manufacturing Company, Inc.**, Arlington, TX (US)

(**) Term: **14 Years**

(21) Appl. No.: **29/242,901**

(22) Filed: **Nov. 16, 2005**

(51) **LOC (8) Cl.** **30-02**

(52) **U.S. Cl.** **D30/108**

(58) **Field of Classification Search** D30/108,
D30/110-112, 117-119, 161; 119/28.5, 161-170,
119/482, 496-499, 502, 512-513, 712
See application file for complete search history.

(56) **References Cited**

U.S. PATENT DOCUMENTS

| | | |
|-------------|---------|------------|
| D300,965 S | 5/1989 | Conner |
| D300,966 S | 5/1989 | Conner |
| D300,967 S | 5/1989 | Conner |
| D300,968 S | 5/1989 | Conner |
| 4,852,520 A | 8/1989 | Goetz |
| D308,429 S | 6/1990 | VanSkiver |
| D312,333 S | 11/1990 | Van Skiver |
| D314,251 S | 1/1991 | Van Skiver |
| 5,154,137 A | 10/1992 | Stanaland |

| | | |
|-----------------|---------|---------------------|
| D361,175 S | 8/1995 | VanSkiver |
| 5,462,015 A | 10/1995 | Murphy |
| D364,712 S | 11/1995 | Murphy et al. |
| D367,732 S | 3/1996 | Murphy et al. |
| D367,733 S | 3/1996 | Paxman et al. |
| D374,510 S | 10/1996 | Barreto, III et al. |
| 6,182,611 B1 | 2/2001 | Marchioro |
| 6,427,631 B1 | 8/2002 | Ross |
| D470,628 S | 2/2003 | Kinder et al. |
| D471,676 S | 3/2003 | Kinder et al. |
| 2003/0116098 A1 | 6/2003 | Chrisco et al. |
| 2004/0139922 A1 | 7/2004 | Kost et al. |

OTHER PUBLICATIONS

“Pet Carriers” Product Advertising Brochure, Doskocil Manufacturing Company, Inc., Copyright 1998.

Primary Examiner—Cathy Anne MacCormac

(74) *Attorney, Agent, or Firm*—Locke, Liddell & Sapp, LLP

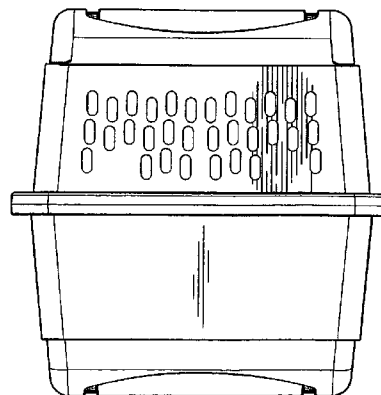
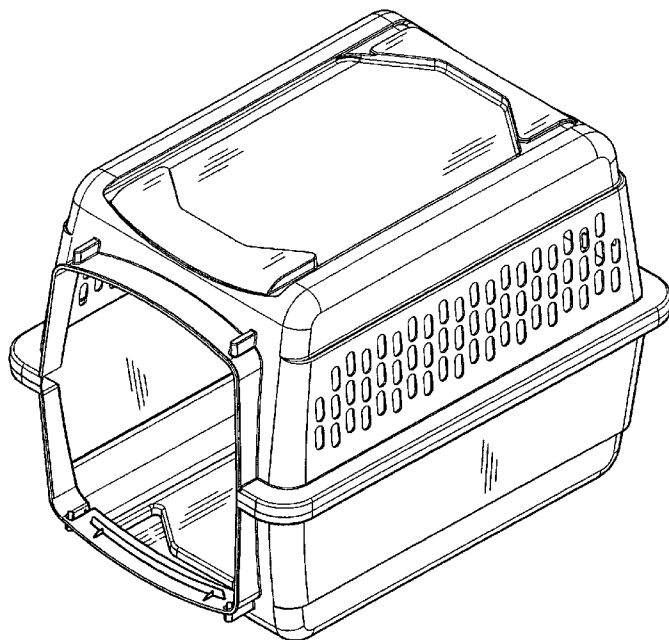
(57) **CLAIM**

The ornamental design for a pet kennel, as shown and described.

DESCRIPTION

FIG. 1 is a perspective view of a pet kennel;
FIG. 2 is a front elevational view thereof;
FIG. 3 is a rear elevational view thereof;
FIG. 4 is a top plan view thereof; and,
FIG. 5 is a right side elevational view, the left side elevational view being a mirror image thereof.

1 Claim, 2 Drawing Sheets



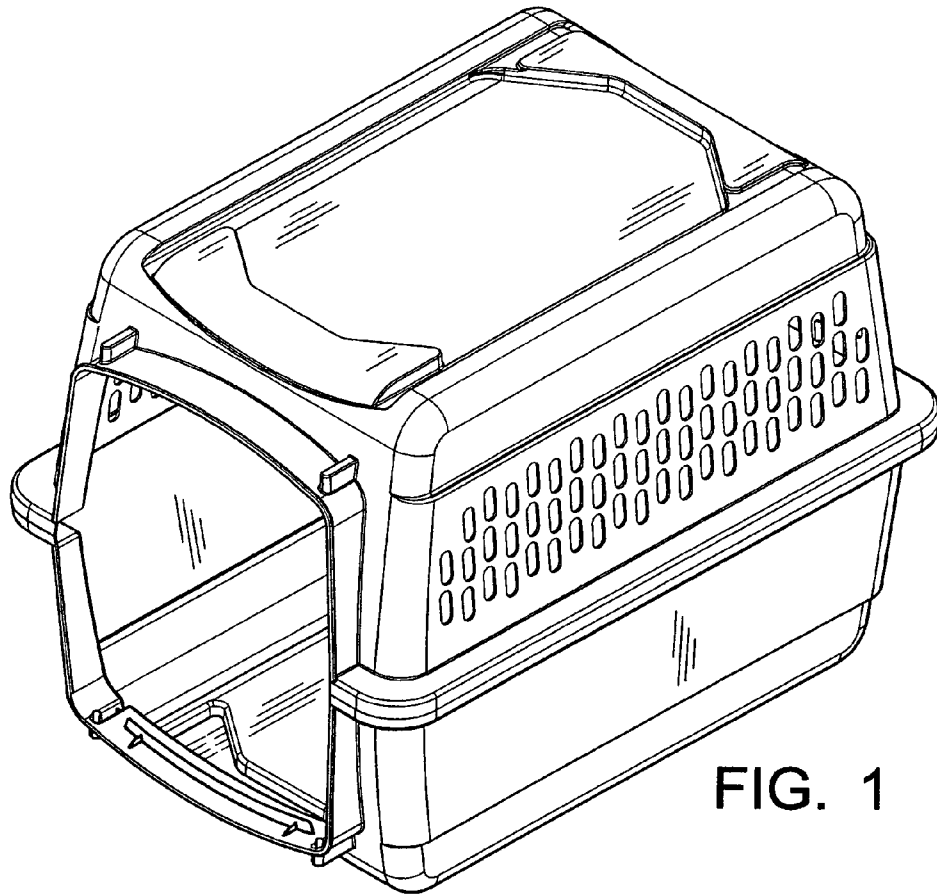


FIG. 1

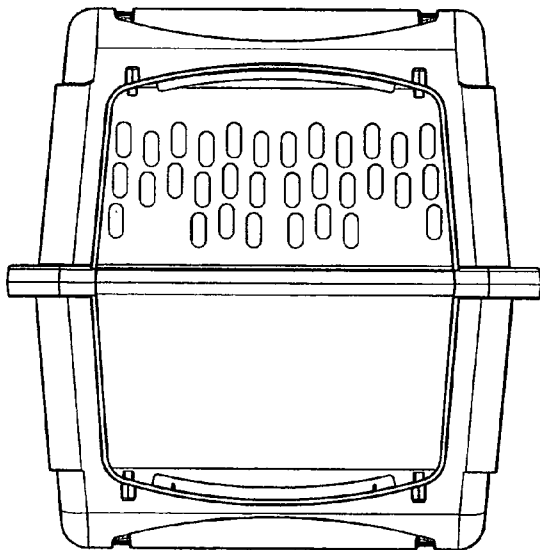


FIG. 2

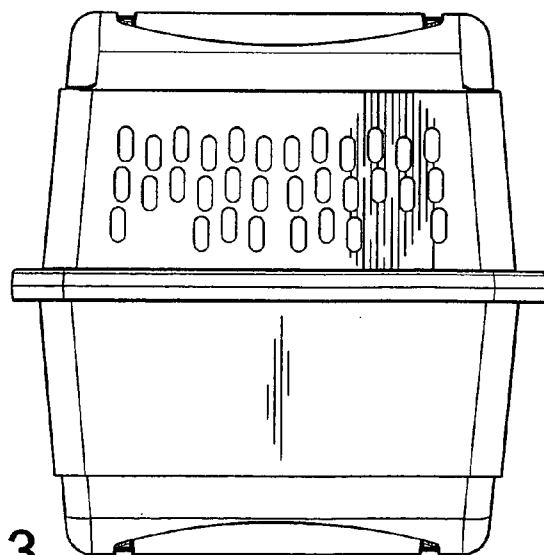


FIG. 3

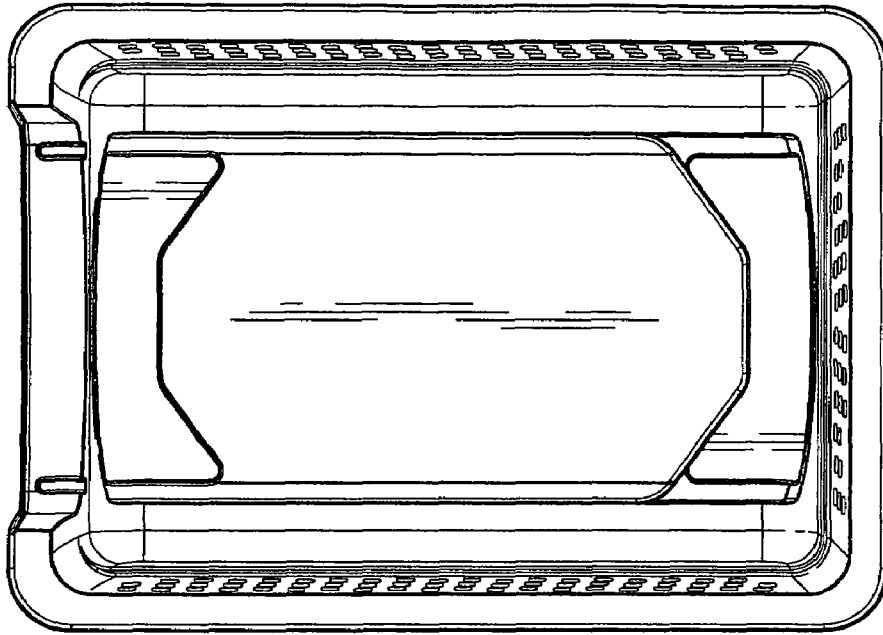


FIG. 4

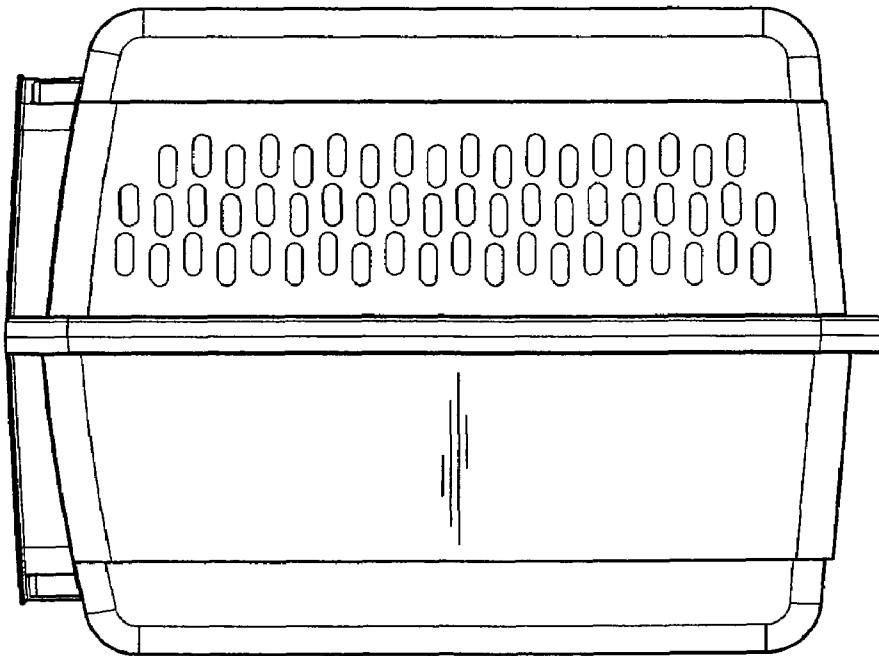


FIG. 5