



US00D697235S

(12) **United States Design Patent**  
**Luo et al.**

(10) **Patent No.:** **US D697,235 S**

(45) **Date of Patent:** **\*\* Jan. 7, 2014**

(54) **PAR LAMP**

(75) Inventors: **Hong Luo**, San Jose, CA (US); **Yichong Zeng**, Chelmsford, MA (US); **Shiyong Zhang**, Acton, MA (US)

(73) Assignee: **OSRAM SYLVANIA Inc.**, Danvers, MA (US)

(\*\*) Term: **14 Years**

(21) Appl. No.: **29/414,712**

(22) Filed: **Mar. 2, 2012**

(51) **LOC (10) Cl.** ..... **26-04**

(52) **U.S. Cl.**  
USPC ..... **D26/2**

(58) **Field of Classification Search**  
USPC ..... D26/1-4; 313/313, 315, 316, 317, 318,  
313/493; 315/52, 53, 56, 57, 58  
See application file for complete search history.

(56) **References Cited**

U.S. PATENT DOCUMENTS

D541,957 S \* 5/2007 Wang ..... D26/2  
D631,571 S \* 1/2011 Bobel ..... D26/2  
D656,252 S \* 3/2012 Engl et al. .... D26/2

D658,790 S \* 5/2012 Lee ..... D26/2  
D661,413 S \* 6/2012 Maxik et al. .... D26/2  
D683,866 S \* 6/2013 Zeng et al. .... D26/2

\* cited by examiner

*Primary Examiner* — Marcus Jackson

(74) *Attorney, Agent, or Firm* — Edward S. Podszus

(57) **CLAIM**

The ornamental design for a par lamp, as shown and described.

**DESCRIPTION**

FIG. 1 is a front, top perspective view of the new design for a lamp;

FIG. 2 is a rear perspective view as seen from the rear, side, thereof;

FIG. 3 is a side plan view thereof;

FIG. 4 is a top plan view thereof; and

FIG. 5 is a rear plan view thereof.

FIG. 6 is a front, top perspective view of a second embodiment of the new design for a lamp;

FIG. 7 is a rear perspective view of the second embodiment as seen from the side thereof;

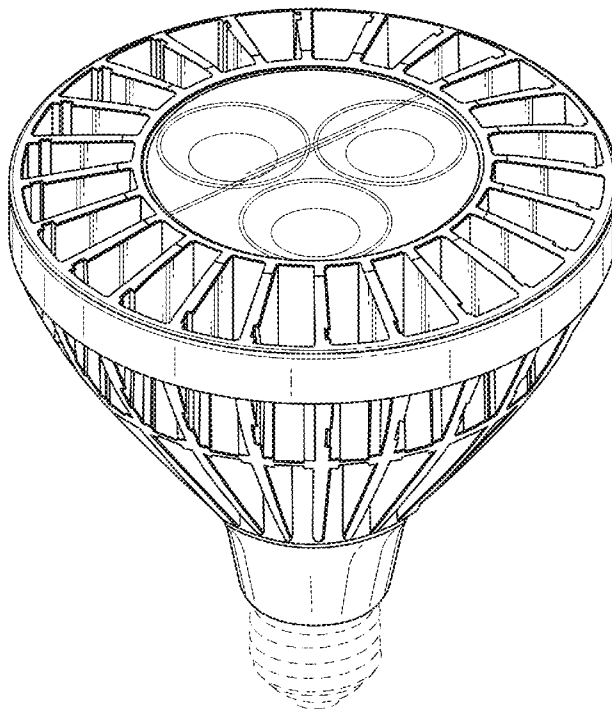
FIG. 8 is a side plan view of the second embodiment;

FIG. 9 is a top plan view of the second embodiment; and,

FIG. 10 is a rear plan view of the second embodiment.

The broken line disclosure is for environmental purposes only and does not form a part of the claimed design.

**1 Claim, 10 Drawing Sheets**



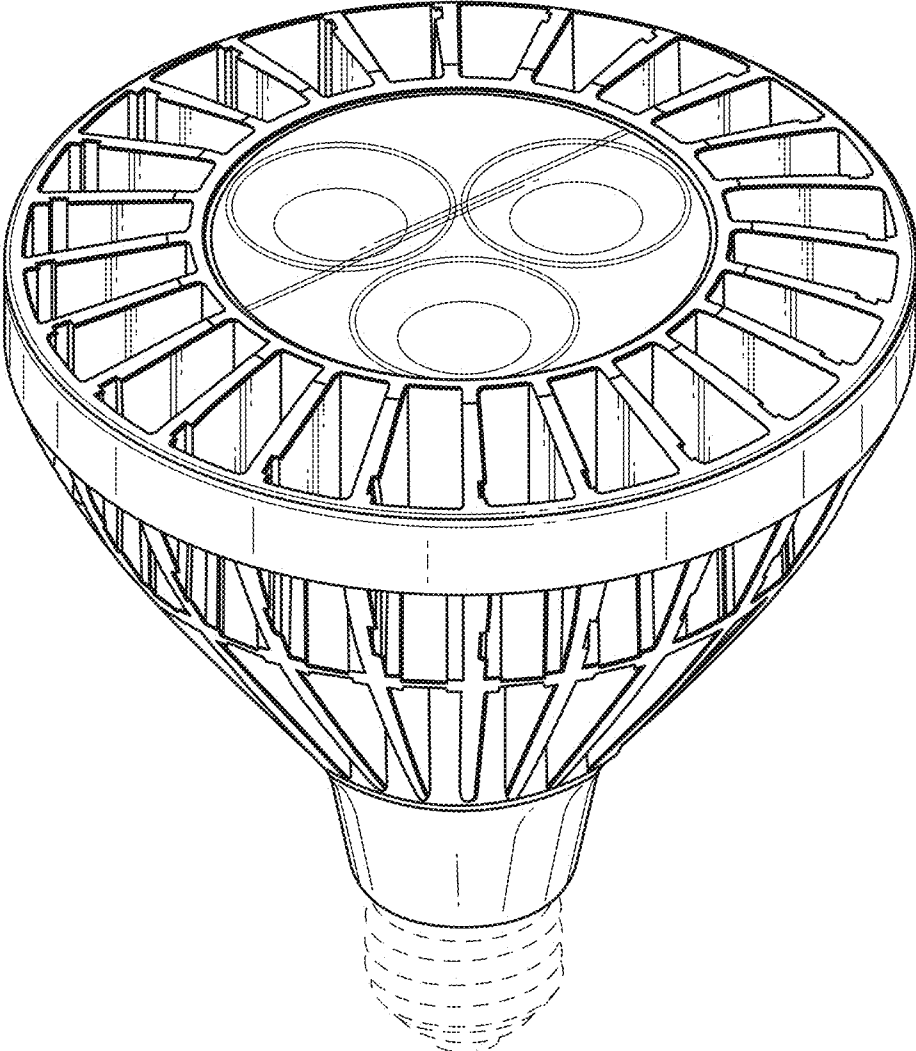


FIG. 1

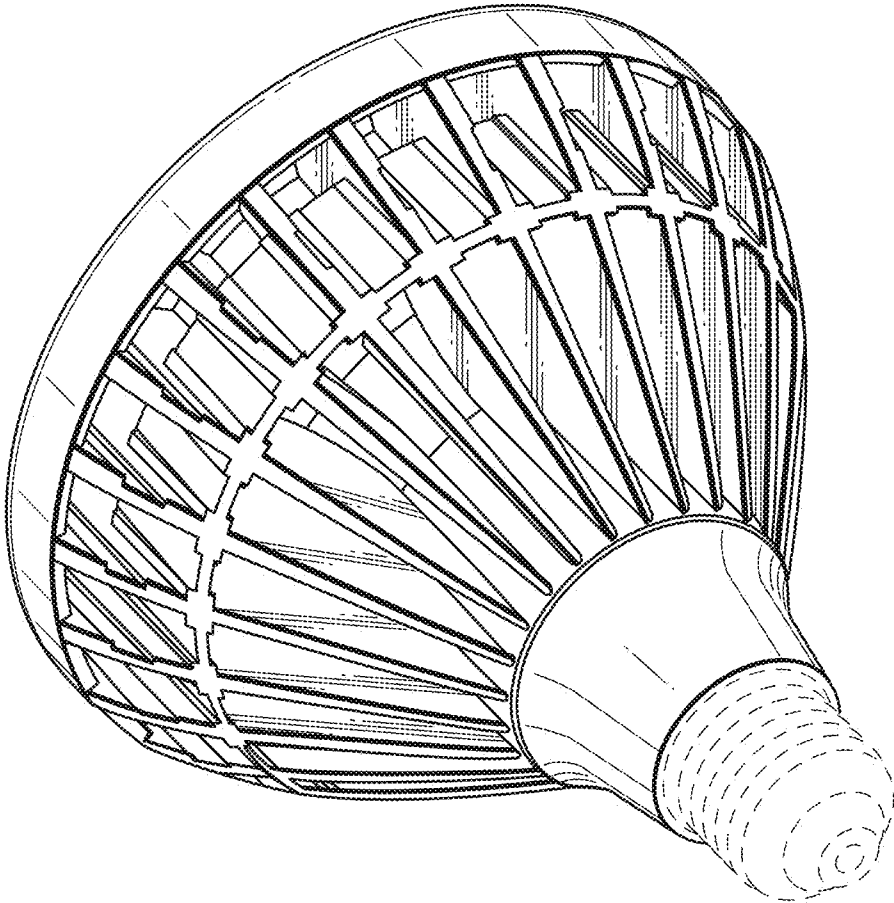


FIG. 2

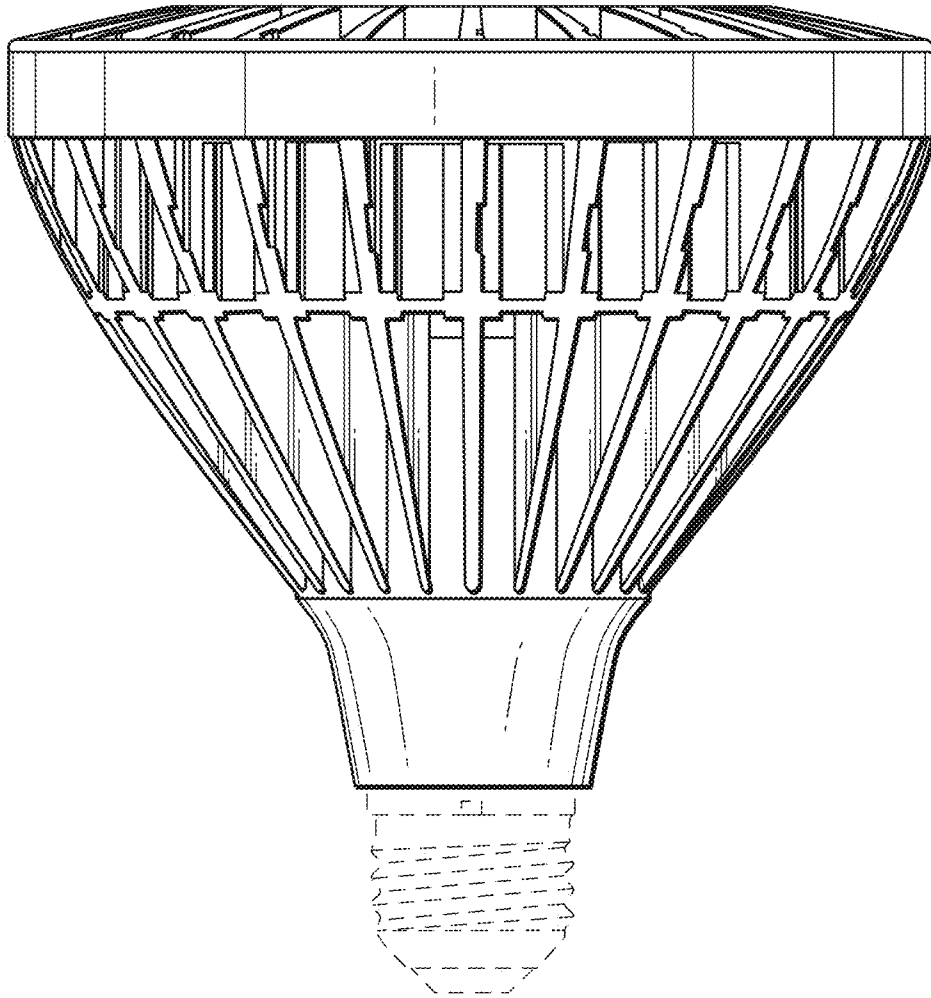


FIG. 3

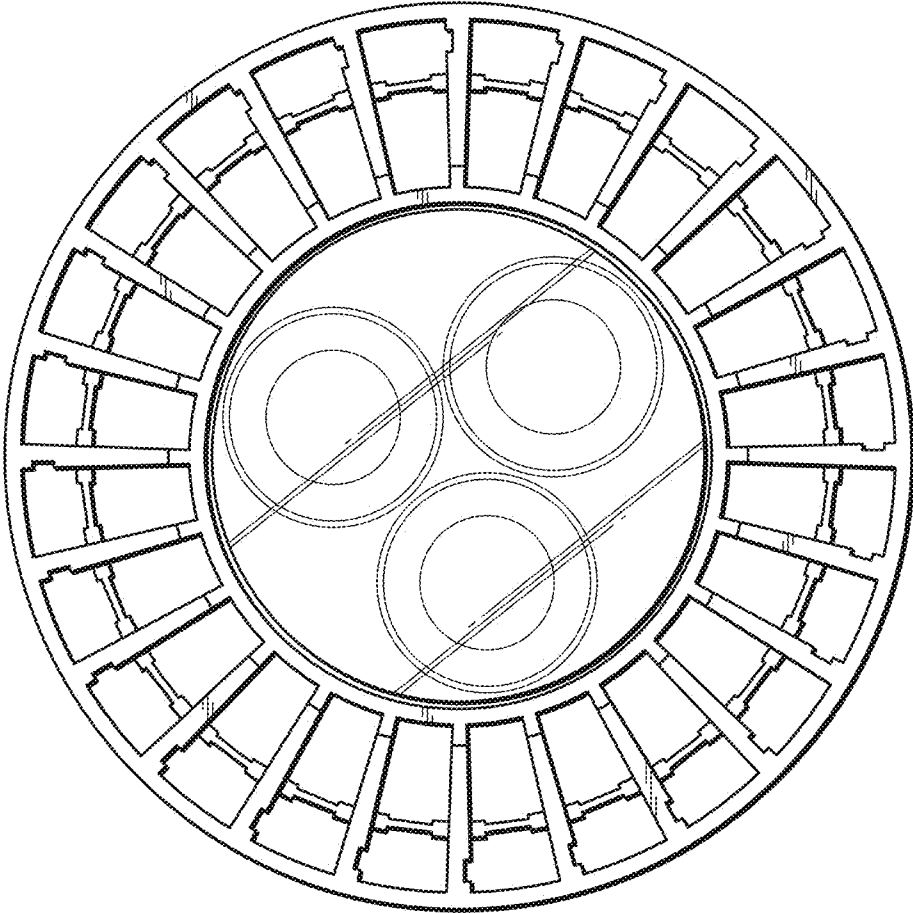


FIG. 4

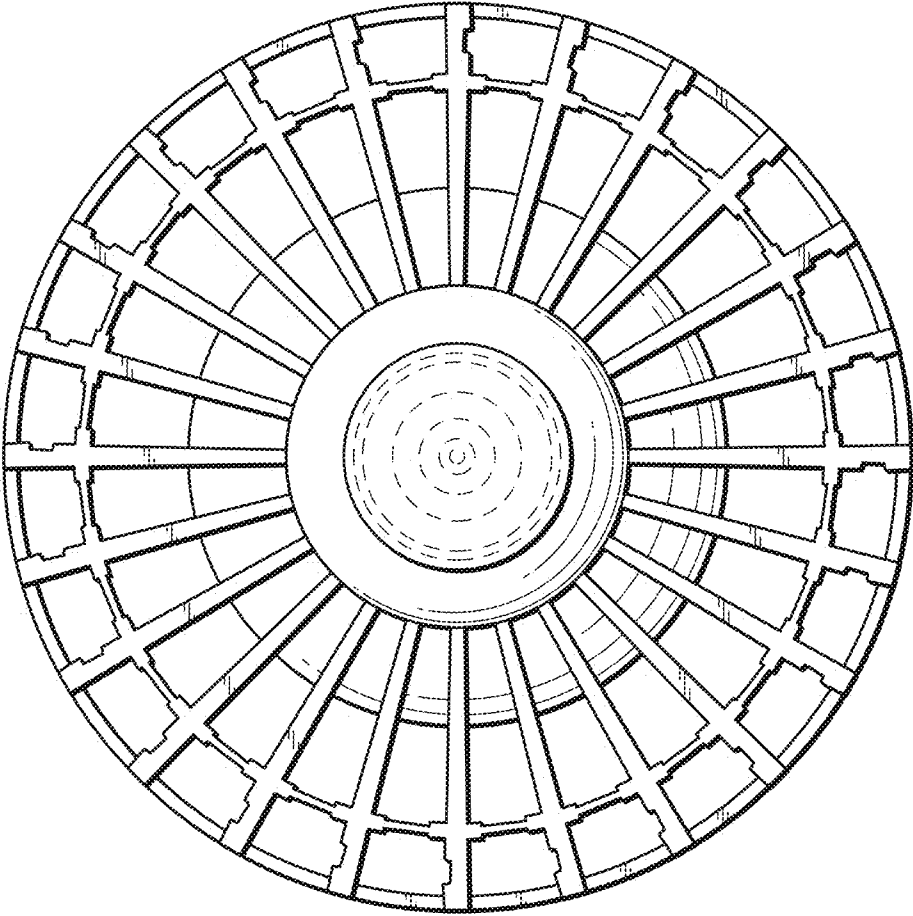


FIG. 5

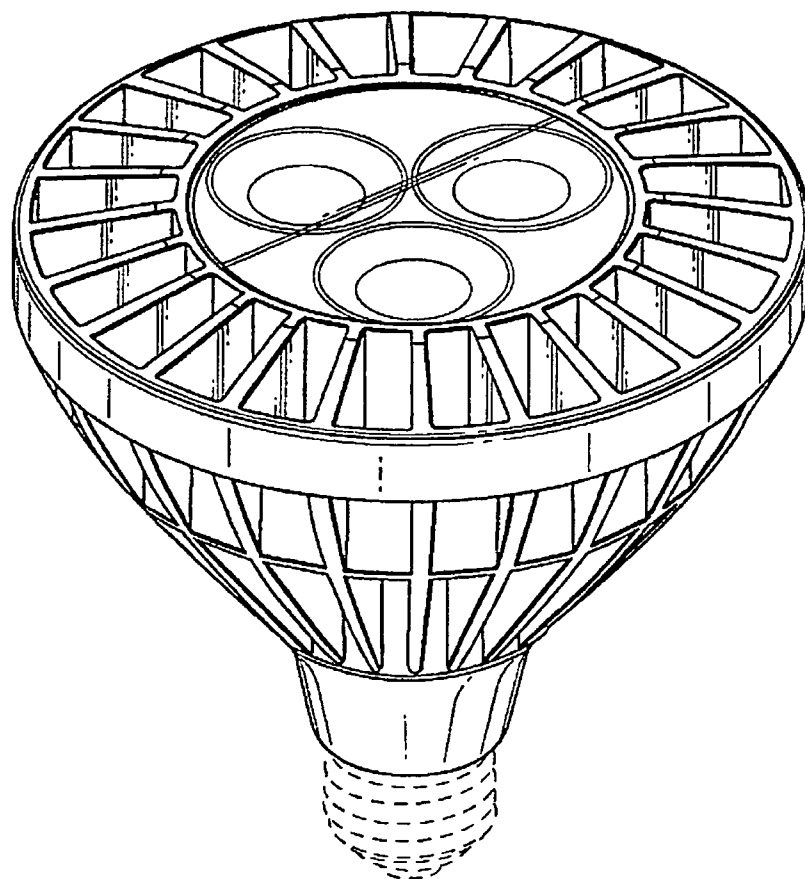


FIG. 6

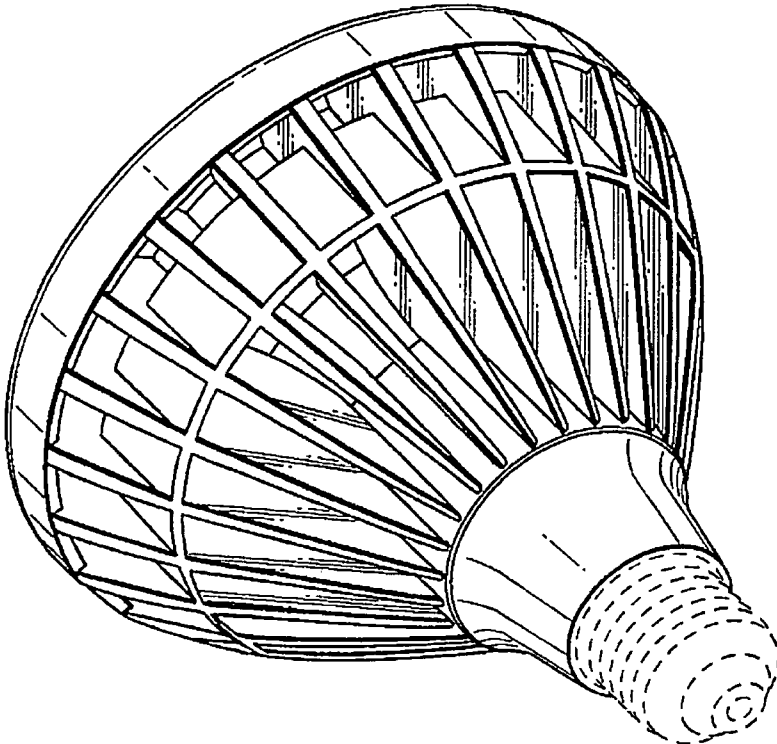


FIG. 7

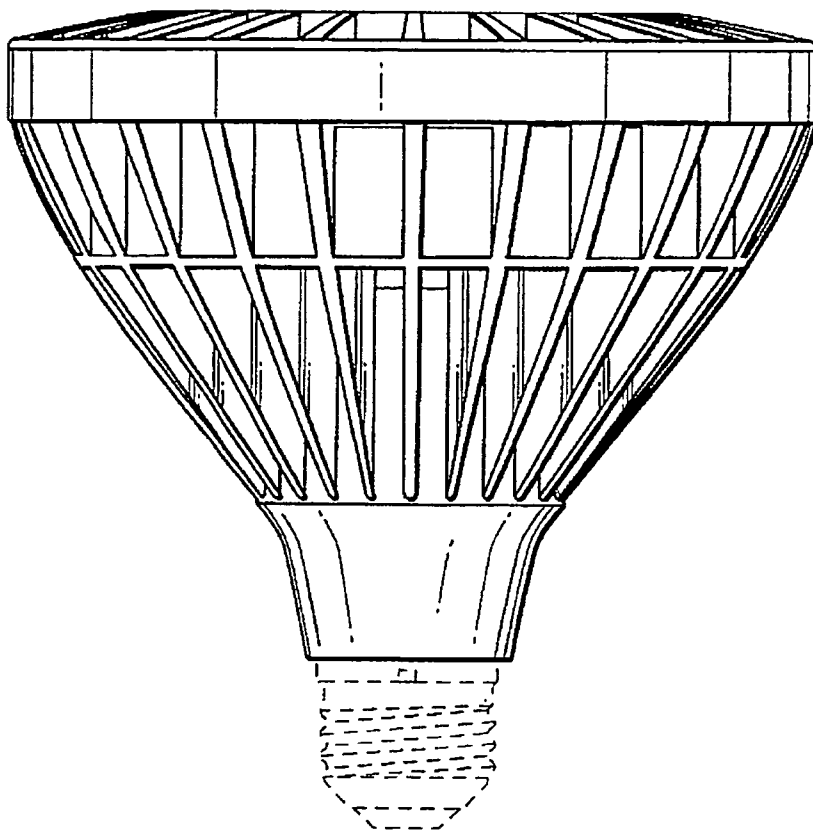


FIG. 8

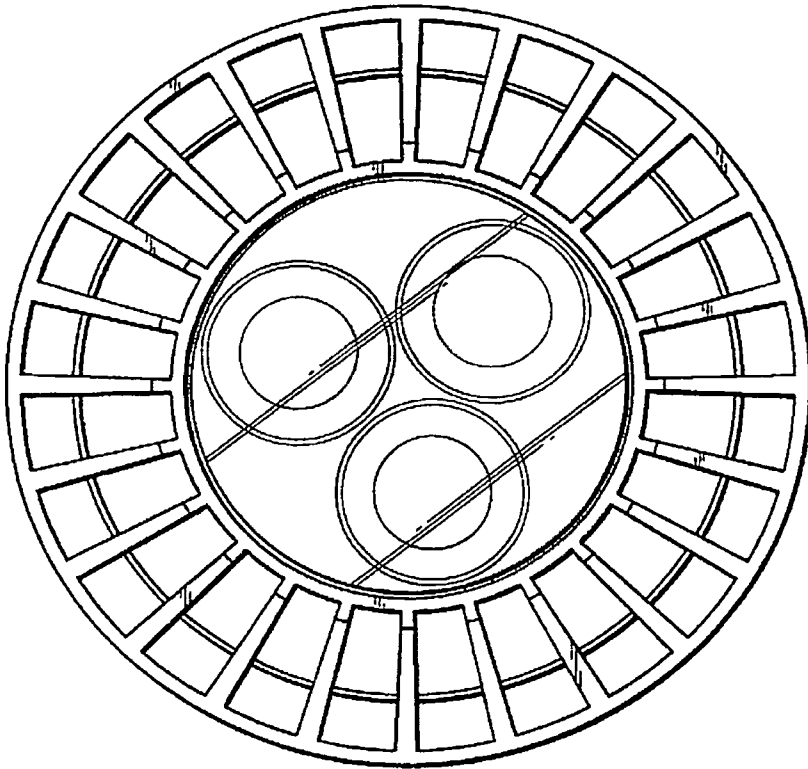


FIG. 9

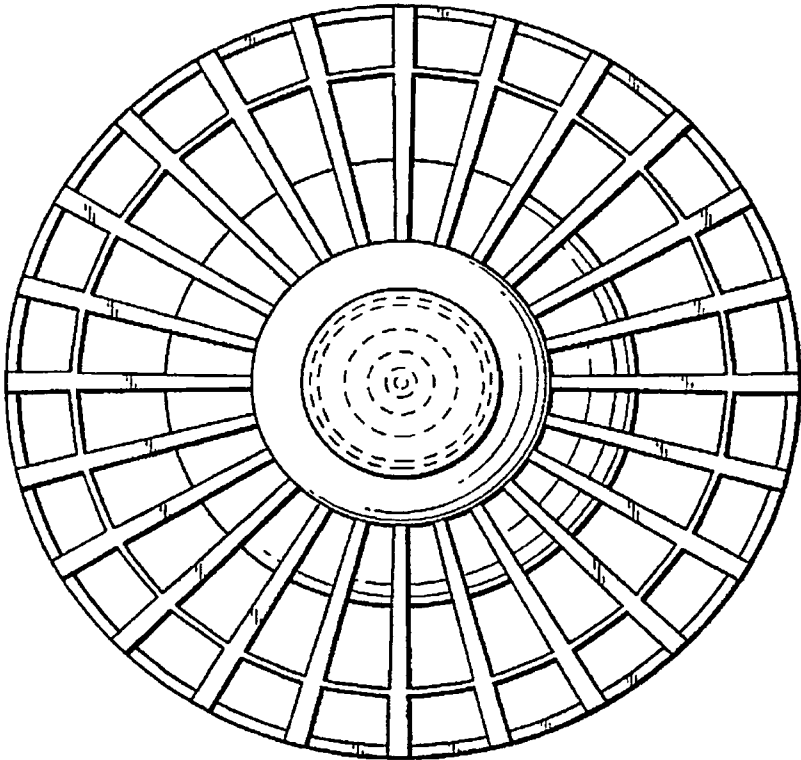


FIG. 10