



US00D776547S

(12) **United States Design Patent**
Schroeder et al.

(10) **Patent No.:** **US D776,547 S**
(45) **Date of Patent:** **** Jan. 17, 2017**

(54) **INTERLINKING CONTAINER**
(71) Applicant: **SchroCo LLC**, New York, NY (US)
(72) Inventors: **Robert Christopher Schroeder**, New York, NY (US); **Nikolas C. Schrobrenhauser**, New York, NY (US)
(73) Assignee: **SCHROCO LLC**, New York, NY (US)
(**) Term: **14 Years**
(21) Appl. No.: **29/501,951**

3,194,426 A * 7/1965 Brown, Jr. B65D 21/0204
220/23.4
3,994,408 A * 11/1976 Belitzky B65D 21/0204
215/10
D330,304 S * 10/1992 Parrish D6/544
D331,165 S * 11/1992 Rooks D6/515
D341,781 S 11/1993 Sanyal
D349,380 S * 8/1994 Maturino D34/7
5,381,916 A * 1/1995 Strawder B65D 21/0202
220/212
D394,204 S * 5/1998 Seddon D9/421
D427,064 S * 6/2000 Kelsey D9/737
D485,170 S * 1/2004 Hay D9/522
6,726,016 B2 4/2004 Chen
7,287,923 B1 10/2007 Chen
(Continued)

(22) Filed: **Sep. 10, 2014**
(51) **LOC (10) Cl.** **09-03**
(52) **U.S. Cl.**
USPC **D9/737; D6/542**
(58) **Field of Classification Search**
USPC D9/737, 738, 740, 741, 743, 747, 748,
D9/756, 759, 782, 414, 430, 432; D7/416,
D7/509-513, 523, 541, 542, 549, 555,
D7/557, 584, 586, 587, 300, 308, 315,
D7/325, 601, 602, 701, 702, 619.1;
D34/1, 5-7; D3/202, D3/201, 315, 316;
D6/663, 542, 544, 545; D23/366;
D18/40-43; 220/908-910, 500, 220/401,
220/404, 23.2, 23.6, 23.83; 312/198, 237,
312/238, 279, 385
CPC . B65D 21/0204; B65D 5/48002; B65D 11/00;
B65D 25/04; B65D 1/04; B65D
1/095; B65D 21/0201; B65D 5/008; B65D
5/02; B65D 5/067; B65D 5/3614; B65D
5/42; B65D 5/5495; B65D 75/42; B65F
1/0053
See application file for complete search history.

FOREIGN PATENT DOCUMENTS

WO 2010049666 A1 5/2010

OTHER PUBLICATIONS

Magnetic Locking Standard 24 oz. Acrylic Dispensers, available Feb. 25, 2015, [online], [site visited Aug. 18, 2016]. Available from internet, <URL: http://sportssolutionsinc.com/shop-whsle/contents/en-us/d329_Page_48.html.*

(Continued)

Primary Examiner — Cathron Brooks
Assistant Examiner — Teddy Falloway
(74) *Attorney, Agent, or Firm* — Nath, Goldberg & Meyer; Jerald L. Meyer

(57) **CLAIM**

The ornamental design for a interlinking container, as shown and described.

DESCRIPTION

FIG. 1 is a perspective view of an interlinking container showing my new design;
FIG. 2 is a front perspective view thereof;
FIG. 3 is a top view thereof;
FIG. 4 is a bottom view thereof;
FIG. 5 is a right view thereof;

(Continued)

(56) **References Cited**
U.S. PATENT DOCUMENTS

D187,454 S * 3/1960 Marsh et al. D7/308
3,039,671 A * 6/1962 Chiamardas B65D 5/48002
206/256

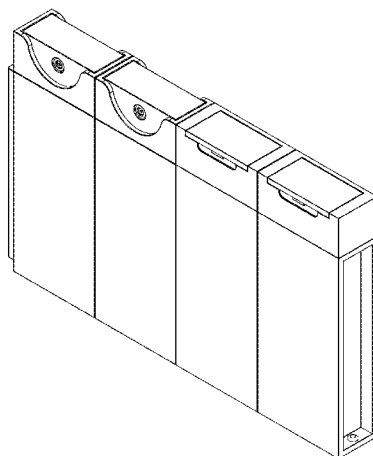


FIG. 6 is a left side view thereof;
 FIG. 7 is a front view thereof; and,
 FIG. 8 is a back view thereof.

1 Claim, 8 Drawing Sheets

(56)

References Cited

U.S. PATENT DOCUMENTS

| | | | | |
|-----------|------|---------|------------------|-------------|
| D606,884 | S * | 12/2009 | Weggelaar | D9/516 |
| D617,968 | S * | 6/2010 | Andresen | D34/1 |
| D618,417 | S * | 6/2010 | Presnell | D34/7 |
| D638,598 | S * | 5/2011 | Ziech | D34/1 |
| D639,518 | S * | 6/2011 | Zeulner | D34/1 |
| D668,414 | S * | 10/2012 | McNay | D34/7 |
| D680,638 | S * | 4/2013 | Chou | D23/366 |
| D720,238 | S * | 12/2014 | Miller, Jr. | D9/782 |
| D742,137 | S * | 11/2015 | Criswell | D6/544 |
| D752,196 | S * | 3/2016 | Cheika | D23/366 |
| 9,346,661 | B2 * | 5/2016 | Veltrop | B67D 3/0067 |
| D763,531 | S * | 8/2016 | Mattern | D34/7 |

| | | | | |
|--------------|------|--------|-----------------|--------------|
| 2005/0150786 | A1 * | 7/2005 | Mitten | B65D 85/1072 |
| | | | | 206/259 |
| 2010/0116822 | A1 * | 5/2010 | Perelli | B65F 1/0053 |
| | | | | 220/4.03 |
| 2011/0204051 | A1 * | 8/2011 | Pawl | B65D 21/0202 |
| | | | | 220/23.83 |
| 2016/0068303 | A1 * | 3/2016 | Schroeder | B65D 21/0204 |
| | | | | 220/23.4 |
| 2016/0106625 | A1 * | 4/2016 | Dunleavy | A61J 7/0084 |
| | | | | 206/534 |

OTHER PUBLICATIONS

Linking Literature Holder (via Staples), available Oct. 13, 2014, [online], [site visited Aug. 18, 2016]. Available from internet, <URL: http://www.staples.com/FFR-Merchandising-Excelsior-Style-Wall-Mount-Linking-Literature-Holder-Clear/product_243348>.*

Umbrella Bagger, available Aug. 7, 2013, [online], [site visited Aug. 18, 2016]. Available from internet, <URL: <http://www.umbrellabagger.com/>>.*

* cited by examiner

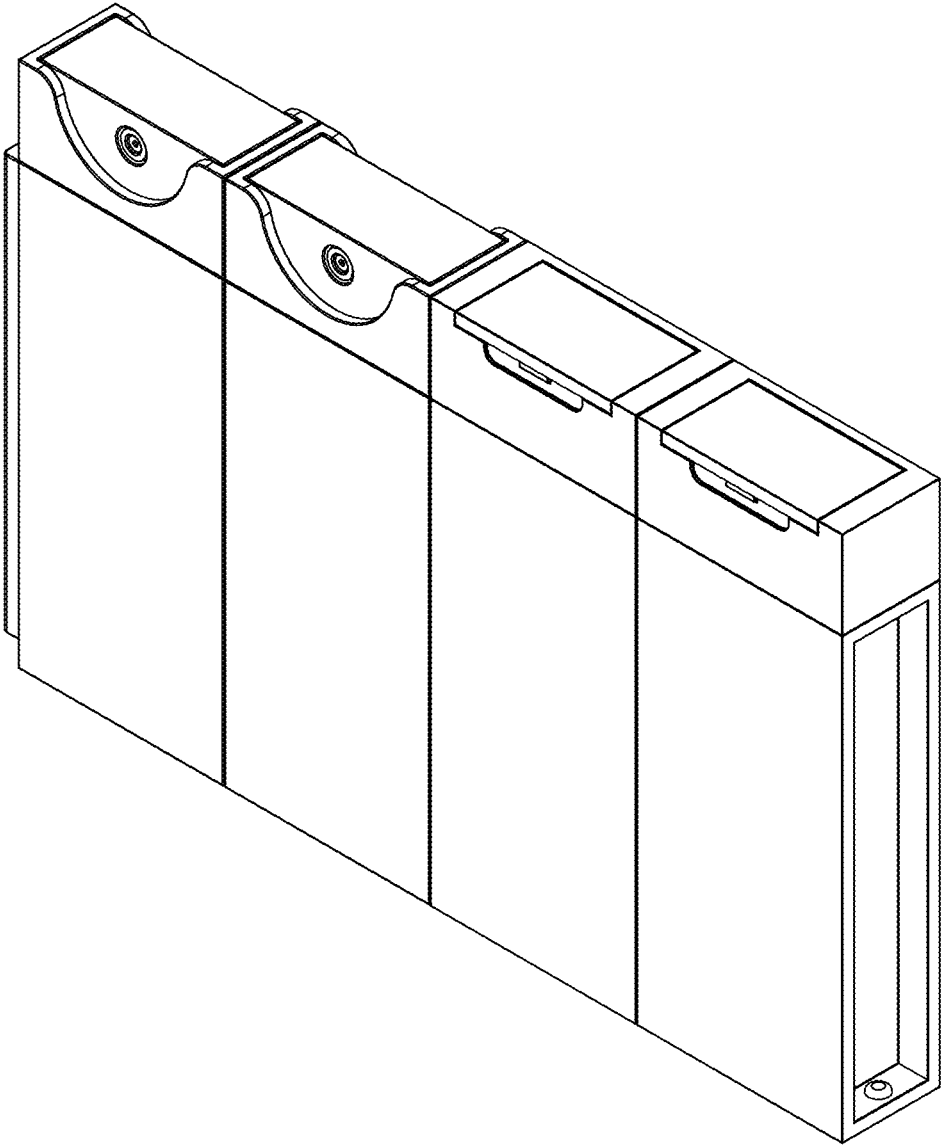


FIG. 1

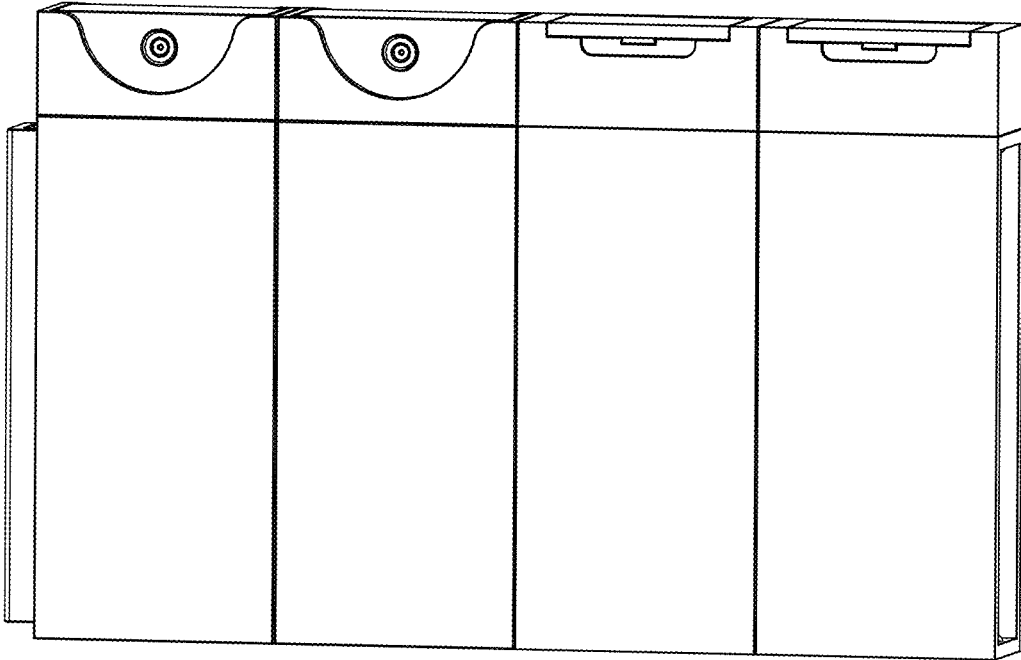


FIG. 2

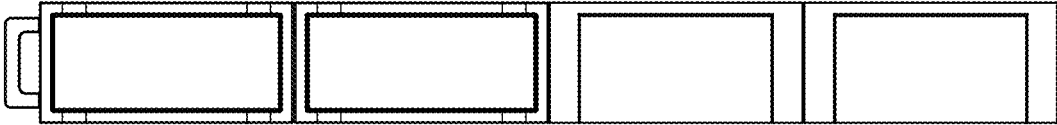


FIG. 3

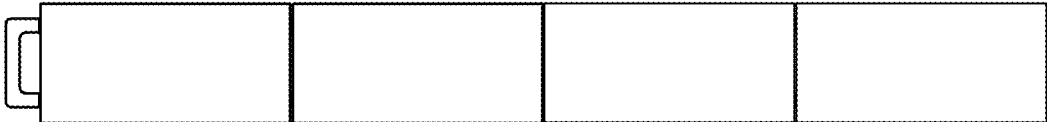


FIG. 4

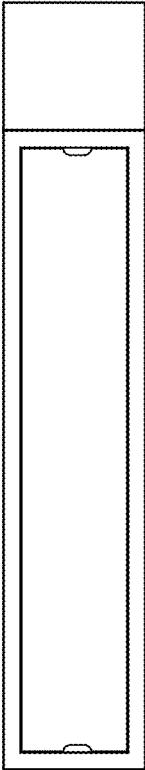


FIG. 5

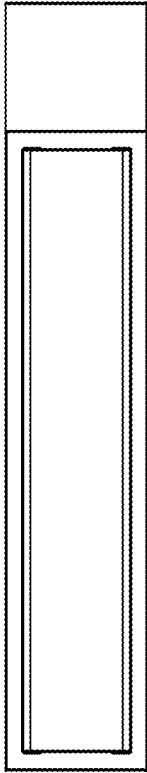


FIG. 6

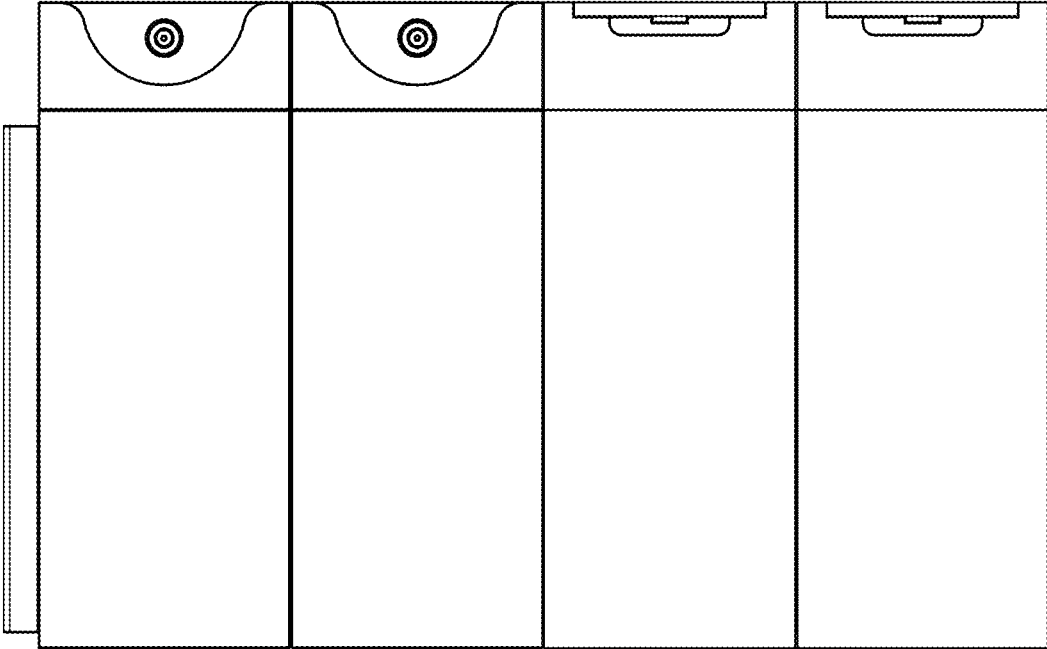


FIG. 7

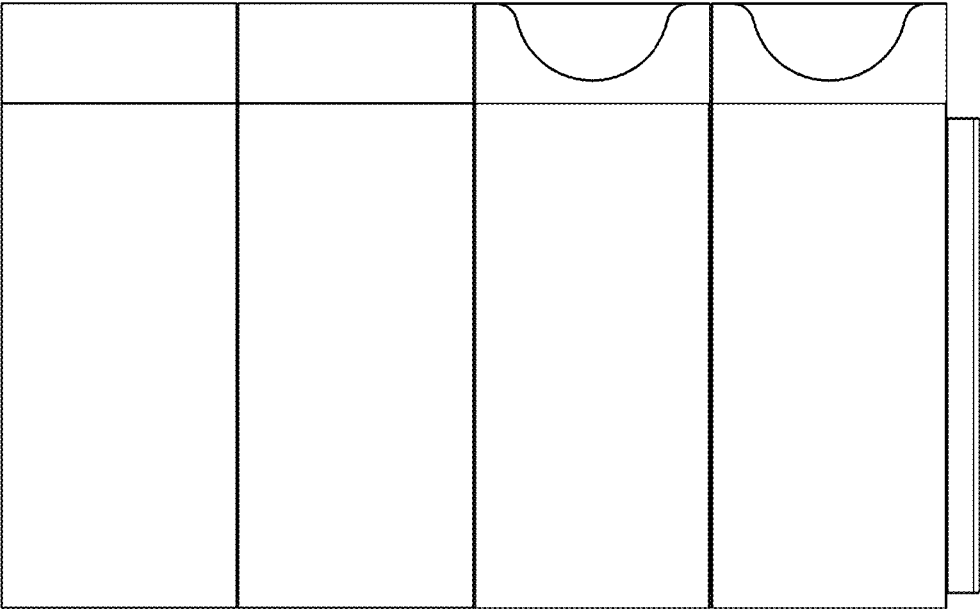


FIG. 8