

CORRECTED VERSION

(19) World Intellectual Property Organization
International Bureau



(43) International Publication Date
3 May 2007 (03.05.2007)

PCT

(10) International Publication Number
WO 2007/049863 A3

- (51) **International Patent Classification:**
H04S 3/00 (2006 01) GIOL 19/02 (2006 01)
GIOL 19/00 (2006 01)
- (21) **International Application Number:**
PCT/KR2006/003974
- (22) **International Filing Date:** 2 October 2006 (02 10 2006)
- (25) **Filing Language:** English
- (26) **Publication Language:** English
- (30) **Priority Data:**

60/729,225	24 October 2005 (24 10 2005)	US
60/757,005	9 January 2006 (09 01 2006)	US
60/786,740	29 March 2006 (29 03 2006)	US
60/792,329	17 April 2006 (17 04 2006)	US
10-2006-0078218	18 August 2006 (18 08 2006)	KR
10-2006-0078221	18 August 2006 (18 08 2006)	KR
10-2006-0078222	18 August 2006 (18 08 2006)	KR
10-2006-0078223	18 August 2006 (18 08 2006)	KR
10-2006-0078225	18 August 2006 (18 08 2006)	KR
10-2006-0078219	18 August 2006 (18 08 2006)	KR

Ilsan-gu, Goyang-si, Gyeonggi-do 411-744 (KR) **JUNG, Yang Won**, 2-803 Yeoksam Hanshin Apt, Dogok-dong, Gangnam-gu, Seoul 135-270 (KR)

- (74) **Agents:** **KIM, YongIn** et al, 15th Floor, Yo Sam Building, 648-23 Yeoksam-dong, Kangnam-gu, Seoul 135-808 (KR)
- (81) **Designated States** (unless otherwise indicated, for every kind of national protection available): AE, AG, AL, AM, AT, AU, AZ, BA, BB, BG, BR, BW, BY, BZ, CA, CH, CN, CO, CR, CU, CZ, DE, DK, DM, DZ, EC, EE, EG, ES, FI, GB, GD, GE, GH, GM, HN, HR, HU, ID, IL, IN, IS, JP, KE, KG, KM, KN, KP, KR, KZ, LA, LC, LK, LR, LS, LT, LU, LV, LY, MA, MD, MG, MK, MN, MW, MX, MY, MZ, NA, NG, NI, NO, NZ, OM, PG, PH, PL, PT, RO, RS, RU, SC, SD, SE, SG, SK, SL, SM, SV, SY, TJ, TM, TN, TR, TT, TZ, UA, UG, UZ, VC, VN, ZA, ZM, ZW

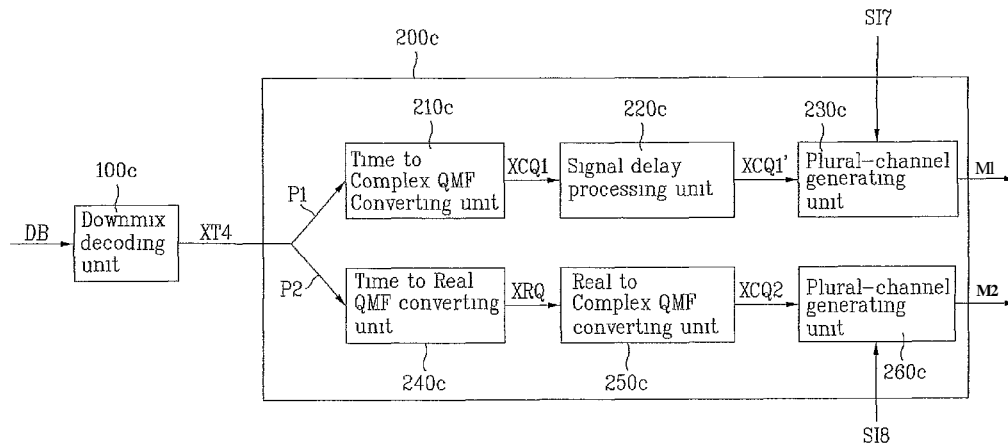
- (84) **Designated States** (unless otherwise indicated, for every kind of regional protection available): ARIPO (BW, GH, GM, KE, LS, MW, MZ, NA, SD, SL, SZ, TZ, UG, ZM, ZW), Eurasian (AM, AZ, BY, KG, KZ, MD, RU, TJ, TM), European (AT, BE, BG, CH, CY, CZ, DE, DK, EE, ES, FI, FR, GB, GR, HU, IE, IS, IT, LT, LU, LV, MC, NL, PL, PT, RO, SE, SI, SK, TR), OAPI (BF, BJ, CF, CG, CI, CM, GA, GN, GQ, GW, ML, MR, NE, SN, TD, TG)

- (71) **Applicant** (for all designated States except US): **LG ELECTRONICS INC.** [KR/KR], 20, Yoido-dong, Youngdungpo-gu, Seoul 150-721 (KR)
- (72) **Inventors:** **PANG, Hee Suck**, 101, 4/7, #14-10 Yang-jae-dong, Seocho-gu, Seoul 137-130 (KR) **KIM, Dong Soo**, 502, Woohm Villa, #602-265 Namhyeon-dong, Gwanak-gu, Seoul 151-801 (KR) **LIM, Jae Hyun**, 609, Parkville Officetel, #1062-20 Namhyeon-dong, Gwanak-gu, Seoul 151-801 (KR) **OH, Hyen O**, 306-403 Hansin Apt, Gangseon-maoul 3-Danji, Juyeop 1-dong,

- Published:**
— with international search report
- (88) **Date of publication of the international search report:**
14 June 2007
- (48) **Date of publication of this corrected version:**
2 August 2007

[Continued on next page]

(54) **Title:** REMOVING TIME DELAYS IN SIGNAL PATHS



(57) **Abstract:** The disclosed embodiments include systems, methods, apparatuses, and computer-readable mediums for compensating one or more signals and/or one or more parameters for time delays in one or more signal processing paths

WO 2007/049863 A3



(15) Information about Correction:

see PCT Gazette No. 31/2007 of 2 August 2007

For two-letter codes and other abbreviations, refer to the "Guidance Notes on Codes and Abbreviations" appearing at the beginning of each regular issue of the PCT Gazette.