



US00D516243S

(12) **United States Design Patent**
Nakasuka

(10) **Patent No.:** **US D516,243 S**

(45) **Date of Patent:** **** Feb. 28, 2006**

(54) **REPLACEABLE RAZOR CARTRIDGE**

(75) **Inventor:** **Hiroyuki Nakasuka, Seki (JP)**

(73) **Assignee:** **Kai R & D Center Co., Ltd., Gifu (JP)**

(**) **Term:** **14 Years**

(21) **Appl. No.:** **29/206,610**

(22) **Filed:** **Jun. 1, 2004**

(30) **Foreign Application Priority Data**

Dec. 2, 2003 (JP) 2003-035808

(51) **LOC (8) Cl.** **28-03**

(52) **U.S. Cl.** **D28/47**

(58) **Field of Classification Search** D28/44-48;
30/32, 34.2, 47-49, 50-51, 77, 81, 346.57
See application file for complete search history.

(56) **References Cited**

U.S. PATENT DOCUMENTS

4,777,722 A	*	10/1988	Trotta	30/77
5,092,042 A	*	3/1992	Miller et al.	30/77
5,191,712 A	*	3/1993	Crook et al.	30/34.2
5,551,152 A	*	9/1996	Tseng	30/32
D472,017 S	*	3/2003	Kite et al.	D28/47

6,550,141 B1	*	4/2003	Rivers et al.	30/346.57
D499,843 S	*	12/2004	Nakasuka	D28/47
2004/0139612 A1	*	7/2004	Mehta	30/41

* cited by examiner

Primary Examiner—Jennifer Rivard

(74) *Attorney, Agent, or Firm*—Koda & Androlia

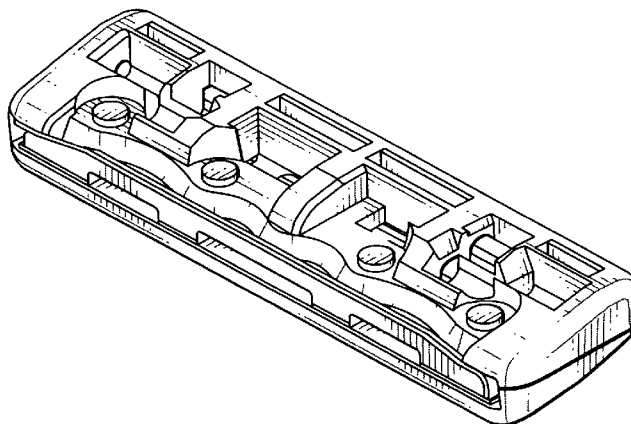
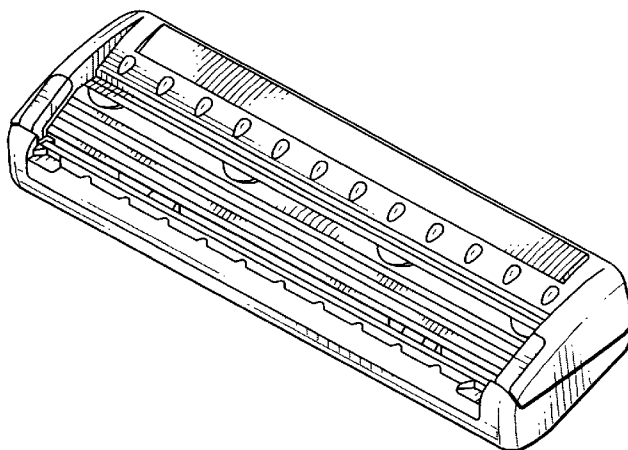
(57) **CLAIM**

The ornamental design for a replaceable razor cartridge, as shown and described.

DESCRIPTION

FIG. 1 is a front elevational view of the replaceable razor cartridge, showing my new design;
 FIG. 2 is a rear elevational view thereof;
 FIG. 3 is a top plan view thereof;
 FIG. 4 is a bottom plan view thereof;
 FIG. 5 is a right side elevational view thereof, the left side elevational view being the mirror image of the right side elevational view;
 FIG. 6 is a perspective view of the replaceable razor cartridge taken from the front, bottom and right side thereof; and,
 FIG. 7 is a rear perspective view of the replaceable razor cartridge.

1 Claim, 3 Drawing Sheets



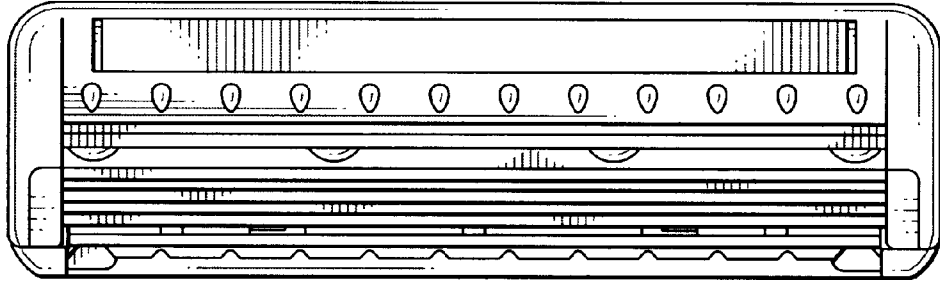


FIG. 1

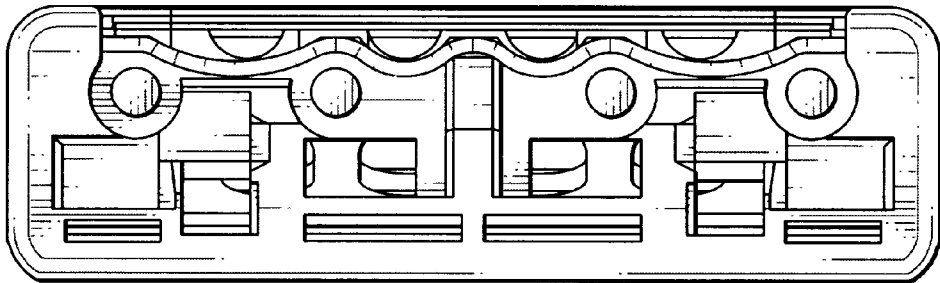


FIG. 2

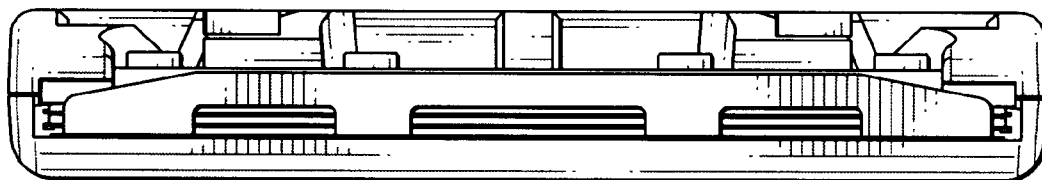


FIG. 3

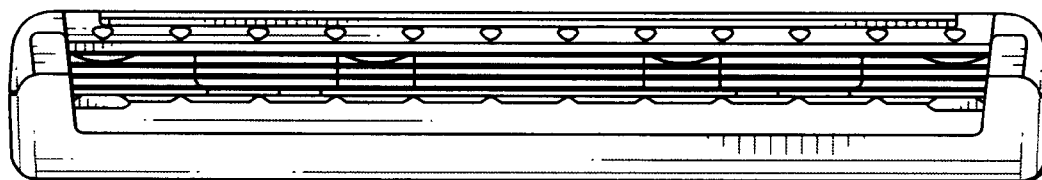


FIG. 4

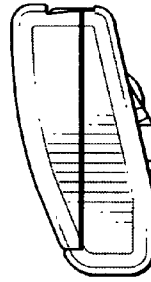


FIG. 5

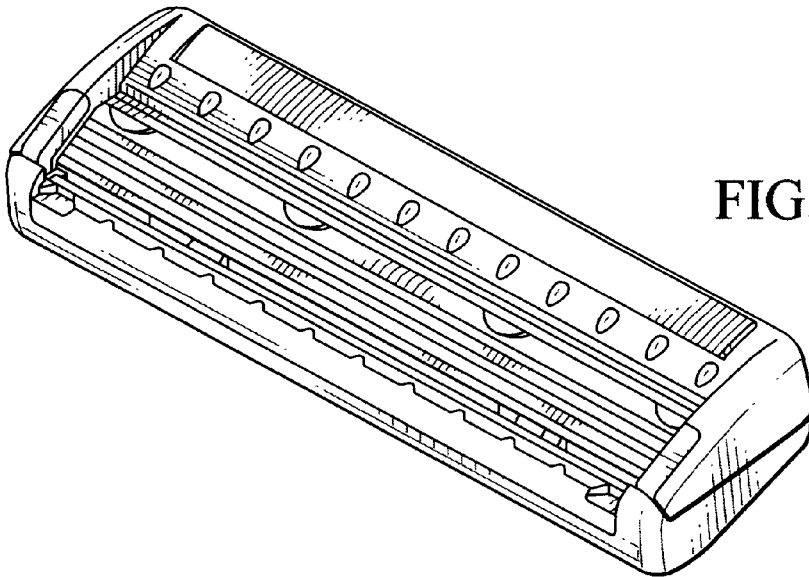


FIG. 6

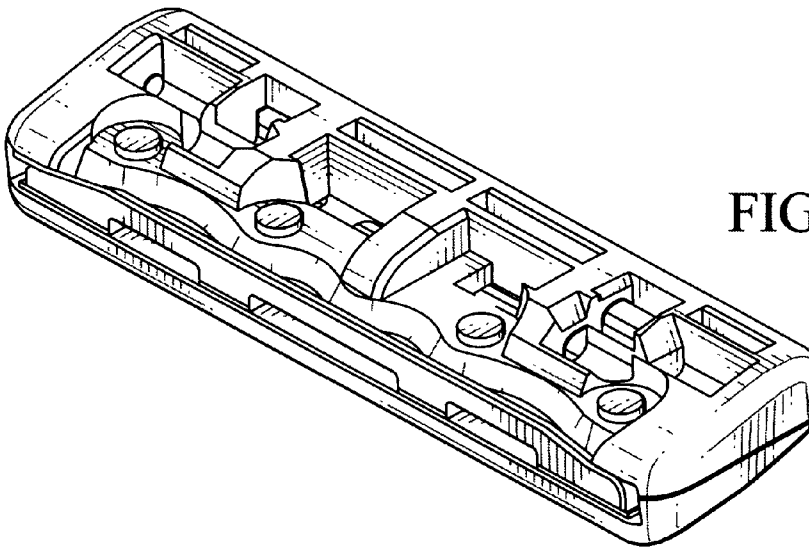


FIG. 7