

(19) World Intellectual Property Organization
International Bureau



(43) International Publication Date
29 April 2010 (29.04.2010)

PCT

(10) International Publication Number
WO 2010/047805 A3

- (51) International Patent Classification:
G06F 9/06 (2006.01) G06F 1/04 (2006.01)
- (21) International Application Number:
PCT/US2009/005748
- (22) International Filing Date:
22 October 2009 (22.10.2009)
- (25) Filing Language: English
- (26) Publication Language: English
- (30) Priority Data:
12/256,249 22 October 2008 (22.10.2008) US
- (71) Applicant (for all designated States except US): VNS
PORTFOLIO LLC [US/US]; 20400 Stevens Creek
Blvd., Fifth Floor, Cupertino, CA 95014 (US).
- (72) Inventor; and
- (75) Inventor/Applicant (for US only): STONER, Jay, Ran-
dall [US/US]; 514 Brock Drive, Redding, CA 96003
(US).
- (74) Agent: HENNEMAN, JR., Larry E.; Henneman & As-
sociates, PLC, 70 N. Main St., Three Rivers, MI 49093
(US).
- (81) Designated States (unless otherwise indicated, for every
kind of national protection available): AE, AG, AL, AM,
AO, AT, AU, AZ, BA, BB, BG, BH, BR, BW, BY, BZ,

CA, CH, CL, CN, CO, CR, CU, CZ, DE, DK, DM, DO,
DZ, EC, EE, EG, ES, FI, GB, GD, GE, GH, GM, GT,
HN, HR, HU, ID, IL, IN, IS, JP, KE, KG, KM, KN, KP,
KR, KZ, LA, LC, LK, LR, LS, LT, LU, LY, MA, MD,
ME, MG, MK, MN, MW, MX, MY, MZ, NA, NG, NI,
NO, NZ, OM, PE, PG, PH, PL, PT, RO, RS, RU, SC, SD,
SE, SG, SK, SL, SM, ST, SV, SY, TJ, TM, TN, TR, TT,
TZ, UA, UG, US, UZ, VC, VN, ZA, ZM, ZW.

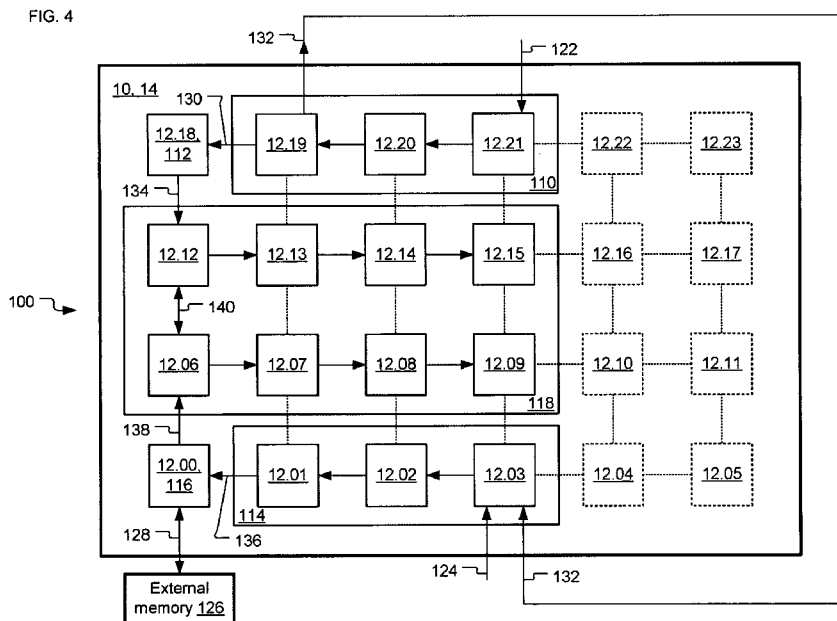
(84) Designated States (unless otherwise indicated, for every
kind of regional protection available): ARIPO (BW, GH,
GM, KE, LS, MW, MZ, NA, SD, SL, SZ, TZ, UG, ZM,
ZW), Eurasian (AM, AZ, BY, KG, KZ, MD, RU, TJ,
TM), European (AT, BE, BG, CH, CY, CZ, DE, DK, EE,
ES, FI, FR, GB, GR, HR, HU, IE, IS, IT, LT, LU, LV,
MC, MK, MT, NL, NO, PL, PT, RO, SE, SI, SK, SM,
TR), OAPI (BF, BJ, CF, CG, CI, CM, GA, GN, GQ, GW,
ML, MR, NE, SN, TD, TG).

Published:

- with international search report (Art. 21(3))
- before the expiration of the time limit for amending the
claims and to be republished in the event of receipt of
amendments (Rule 48.2(h))

(88) Date of publication of the international search report:
1 July 2010

(54) Title: SYSTEM FOR SIGNAL SAMPLE RATE CONVERSION



(57) Abstract: An apparatus and method for converting a source signal at a first rate to a re-sampled signal at a second rate using an array of processors. A decoder decomposes the source signal into left and right source values and sends an aperture signal to a coefficient control unit upon decomposition completion. A transfer unit controllably receives and passes the left and right source values on to a re-sampler. The coefficient control unit calculates a polyphase offset based on the aperture signal and a clock signal. A coefficient server selectively passes coefficients to the re-sampler based on the polyphase offset. And the re-sampler generates the re-sampled signal based on the left and right source values and the coefficients.

WO 2010/047805 A3

A. CLASSIFICATION OF SUBJECT MATTER*G06F 9/06(2006.01)i, G06F 1/04(2006.01)i*

According to International Patent Classification (IPC) or to both national classification and IPC

B. FIELDS SEARCHED

Minimum documentation searched (classification system followed by classification symbols)

IPC 8: G06F

Documentation searched other than minimum documentation to the extent that such documents are included in the fields searched

Korean Utility models applications for Utility Models since 1975, IPC as above

Japanese Utility Models and application for Utility Models since 1975, IPC as above

Electronic data base consulted during the international search (name of data base and, where practicable, search terms used)

eKOMPASS, IEEEExpl, Google; signal resampling, sampling rate conversion, processor array;

C. DOCUMENTS CONSIDERED TO BE RELEVANT

Category*	Citation of document, with indication, where appropriate, of the relevant passages	Relevant to claim No.
A	US 6,573,940 B1 (FENG YANG) 3 Jun. 2003 See the abstract, claims 1-27 and figures 1-16.	1-16
A	US 2004-0150747 A1 (RICHARD SITA) 5 Aug. 2004 See the abstract, claims 1-20 and figures 1-12.	1-16
A	US 2007-0165761 A1 (MIKHAIL U. YAGUNOV et al.) 19 Jul. 2007 See the abstract, claims 1-20 and figures 1-8.	1-16

 Further documents are listed in the continuation of Box C. See patent family annex.

* Special categories of cited documents:

"A" document defining the general state of the art which is not considered to be of particular relevance

"E" earlier application or patent but published on or after the international filing date

"L" document which may throw doubts on priority claim(s) or which is cited to establish the publication date of citation or other special reason (as specified)

"O" document referring to an oral disclosure, use, exhibition or other means

"P" document published prior to the international filing date but later than the priority date claimed

"T" later document published after the international filing date or priority date and not in conflict with the application but cited to understand the principle or theory underlying the invention

"X" document of particular relevance; the claimed invention cannot be considered novel or cannot be considered to involve an inventive step when the document is taken alone

"Y" document of particular relevance; the claimed invention cannot be considered to involve an inventive step when the document is combined with one or more other such documents, such combination being obvious to a person skilled in the art

"&" document member of the same patent family

Date of the actual completion of the international search

30 APRIL 2010 (30.04.2010)

Date of mailing of the international search report

03 MAY 2010 (03.05.2010)

Name and mailing address of the ISA/KR

Korean Intellectual Property Office
Government Complex-Daejeon, 139 Seonsa-ro, Seo-gu,
Daejeon 302-701, Republic of Korea

Facsimile No. 82-42-472-7140

Authorized officer

BOK, Jin Yo

Telephone No. 82-42-481-5113



INTERNATIONAL SEARCH REPORT

Information on patent family members

International application No.

PCT/US2009/005748

Patent document cited in search report	Publication date	Patent family member(s)	Publication date
US 06573940 B1	03.06.2003	US 06833875 B1 US 06377313 B1	21.12.2004 23.04.2002
US 2004-0150747 A1	05.08.2004	CN 1197352 C CN 1220800 A EP 0901735 A1 EP 0901734 B1 JP 2000-511035 A JP 2000-514987 A JP 2001-506099 A KR 10-0563015 B1 KR 10-0518477 B1 KR 10-0526905 B1 US 06788347 B1 US 06184935 B1 US 06539120 B1 WO 1998-041012 A1 WO 1998-041011 A1 WO 1998-041029 A1	13.04.2005 23.06.1999 28.09.2005 18.02.2004 22.08.2000 07.11.2000 08.05.2001 25.04.2007 24.03.2006 15.06.2006 07.09.2004 06.02.2001 25.03.2003 17.09.1998 17.09.1998 17.09.1998
US 2007-165761 A1	19.07.2007	US 2007-165761 A1	19.07.2007