



US0D1054792S

(12) **United States Design Patent**  
**Ma**

(10) **Patent No.:** **US D1,054,792 S**

(45) **Date of Patent:** **\*\* Dec. 24, 2024**

(54) **ROTATABLE CUP RACK**  
(71) Applicant: **shenzhen zhongshang Technology Co., LTD**, Shenzhen (CN)

D887,218 S \* 6/2020 Litos ..... D7/600.4  
D918,630 S 5/2021 Huang  
D984,864 S \* 5/2023 Hansen ..... D7/701

(72) Inventor: **Huajian Ma**, Shenzhen (CN)

(\*\*) Term: **15 Years**

(21) Appl. No.: **29/962,612**

(22) Filed: **Sep. 12, 2024**

(51) **LOC (14) Cl.** ..... **07-09**

(52) **U.S. Cl.**  
USPC ..... **D7/600.2**

(58) **Field of Classification Search**  
USPC ..... D7/706-707, 600.2, 600.4, 600.1, 611,  
D7/610; D3/313; D6/680  
CPC ..... A47B 77/16; A47B 49/00; A47B 49/00A;  
A47J 47/16; A47J 47/0064; A47J 31/44;  
A47G 23/0208; A47F 1/106  
See application file for complete search history.

(56) **References Cited**

**U.S. PATENT DOCUMENTS**

2,556,852	A *	6/1951	Pickering	.....	A47F 1/106
					221/113
D165,303	S *	11/1951	Rogers et al.	.....	D7/706
D208,648	S *	9/1967	Warner	.....	D7/611
D444,359	S *	7/2001	Levy	.....	D7/704
D489,587	S *	5/2004	Herzog	.....	D7/704
D495,880	S *	9/2004	Warren, III	.....	D6/680
D526,170	S *	8/2006	Gugni	.....	D7/706
D543,803	S *	6/2007	Henderson	.....	D7/600.4
D600,505	S *	9/2009	Godinger	.....	D7/610
D609,533	S *	2/2010	Tiemann	.....	A47J 47/16
					D7/600.2
D692,727	S *	11/2013	Mandel	.....	D7/610
8,590,715	B2 *	11/2013	Gray	.....	A47G 23/0208
					211/196
9,578,992	B2 *	2/2017	Knowlton	.....	A47J 47/16
D880,964	S *	4/2020	Wang	.....	D7/701
D882,345	S *	4/2020	Mor	.....	D7/611

**OTHER PUBLICATIONS**

Water Bottle Organizer for Stanley 40 oz Tumbler, first available Aug. 1, 2024. Retrieved from: <https://www.amazon.com/dp/B0DBVGZTBX> on Aug. 23, 2024.\*

Water Bottle Organizer for Stanley Tumbler, first available Jul. 9, 2024. Retrieved from: <https://www.amazon.com/AZBFAN-Water-Bottle-Organizer-Rotatable/dp/B0D943G83F> on Aug. 23, 2024.\*

Water Bottle Organizer for Stanley 40 oz Tumbler with Handle, earliest mention: Sep. 25, 2024. Retrieved from: <https://www.amazon.com/Organizer-Rotatable-Organizers-Accessories-Gray-White/dp/B0DD6V99R9> on Oct. 4, 2024.\*

\* cited by examiner

*Primary Examiner* — Shannon W Morgan

*Assistant Examiner* — Terilyn Davis

(74) *Attorney, Agent, or Firm* — Sang Young Han

(57) **CLAIM**

The ornamental design for a rotatable cup rack, as shown and described.

**DESCRIPTION**

FIG. 1 is a front perspective view of a rotatable cup rack, showing my new design;

FIG. 2 is a rear perspective view thereof;

FIG. 3 is a front view thereof;

FIG. 4 is a rear view thereof;

FIG. 5 is a left side view thereof;

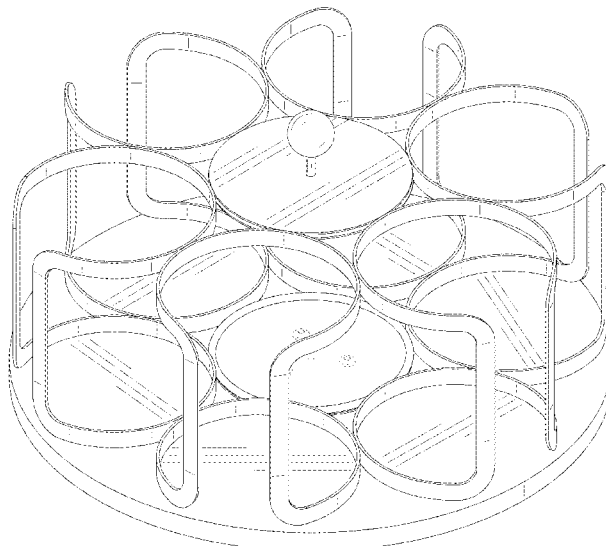
FIG. 6 is a right side view thereof;

FIG. 7 is a top view thereof; and,

FIG. 8 is a bottom view.

The broken lines in the drawings illustrate the portions of the rotatable cup rack, which form no part of the claimed design.

**1 Claim, 8 Drawing Sheets**



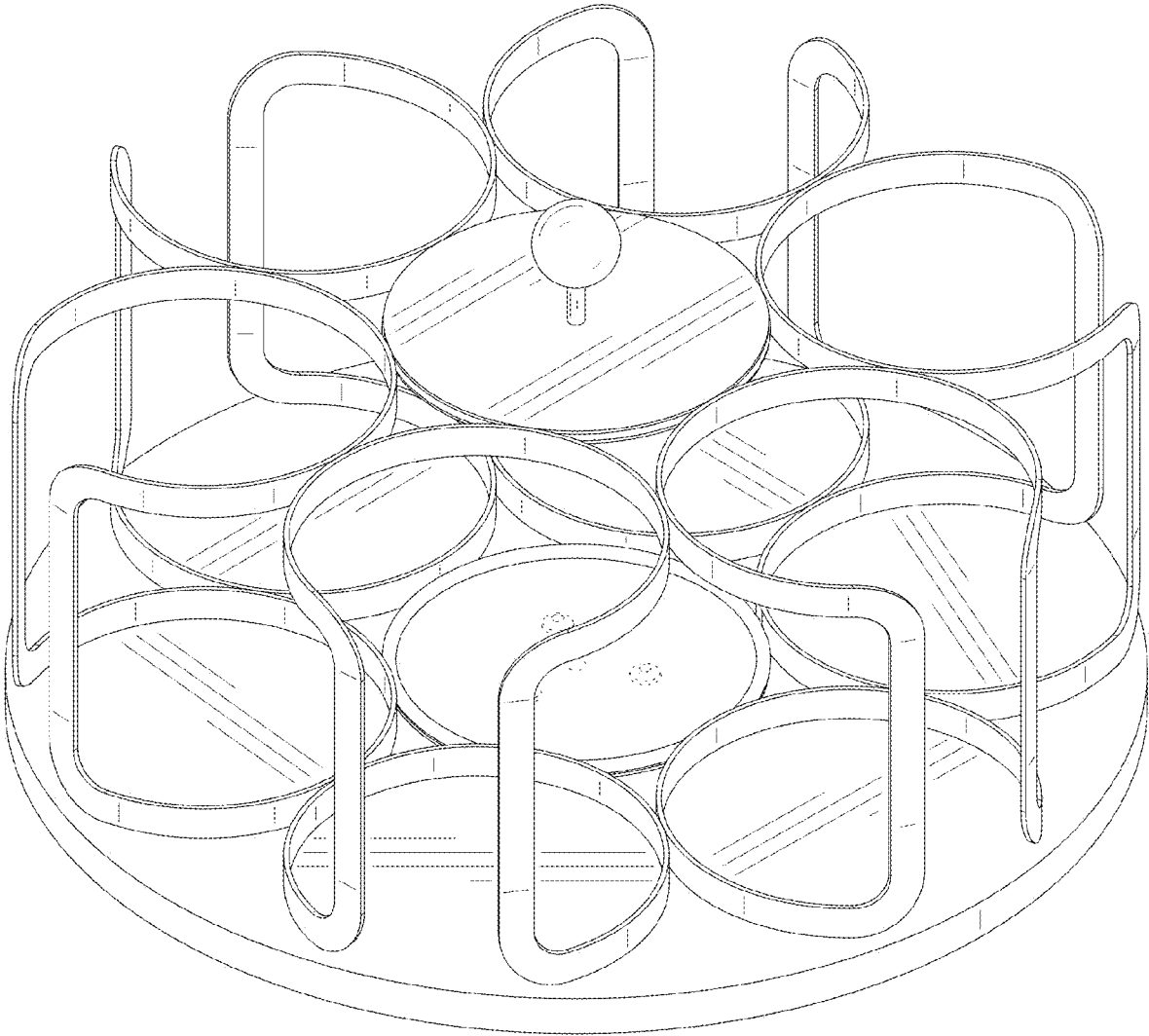


FIG. 1

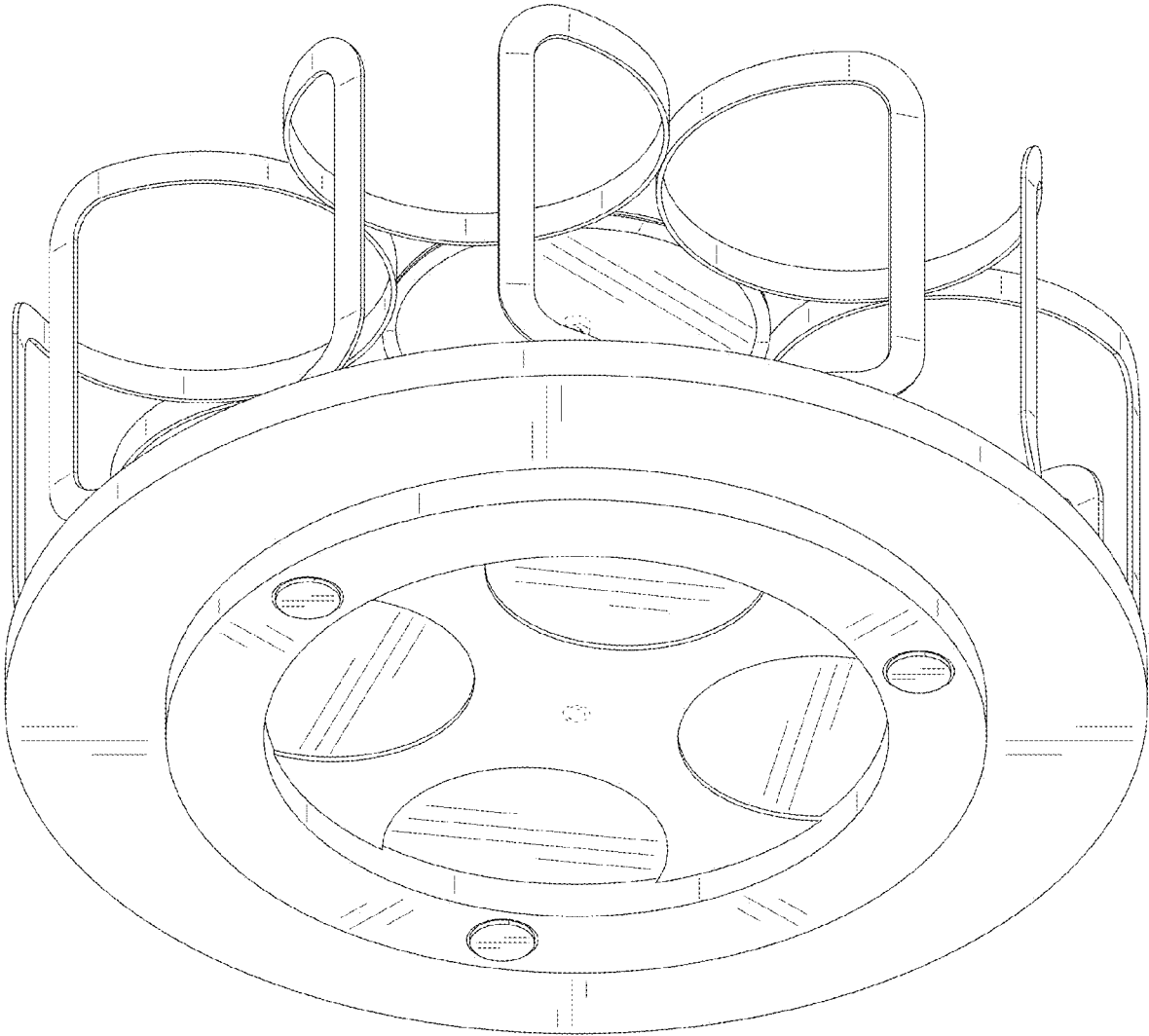


FIG. 2

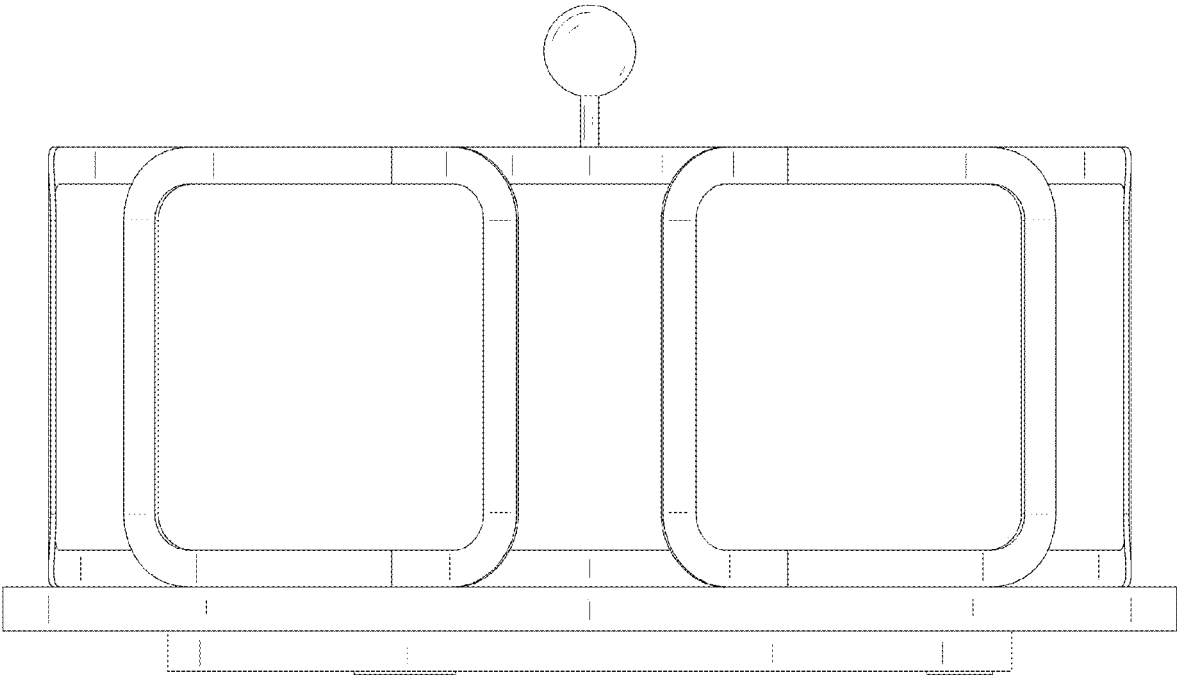


FIG. 3

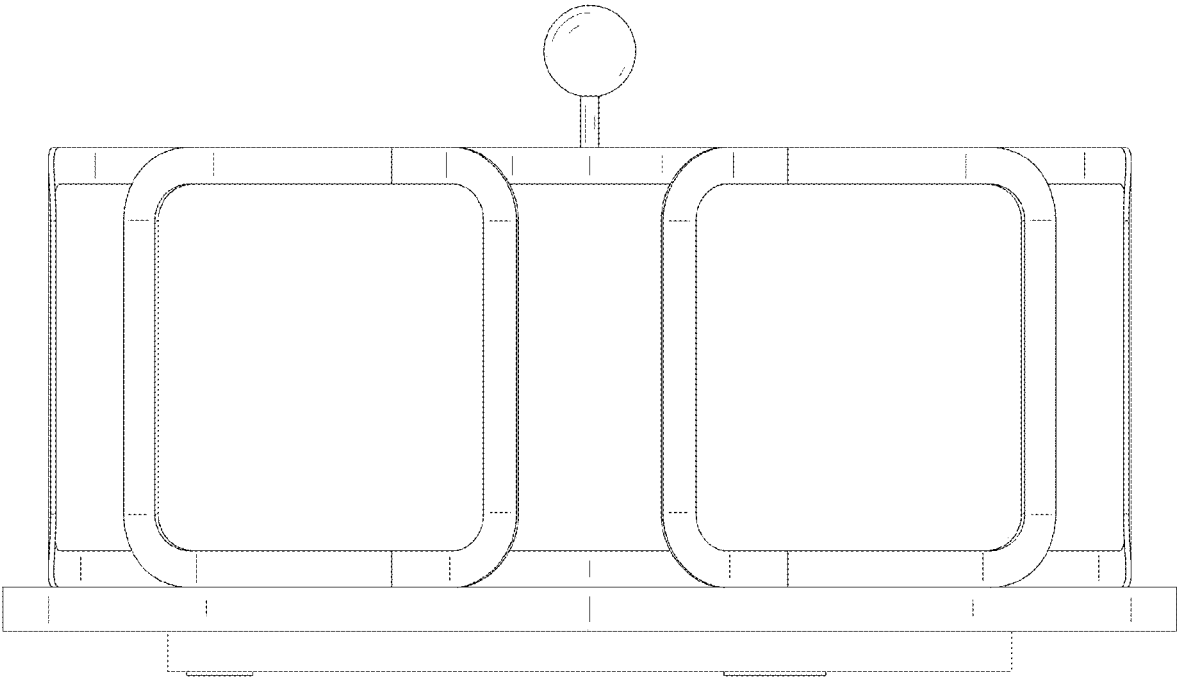


FIG. 4

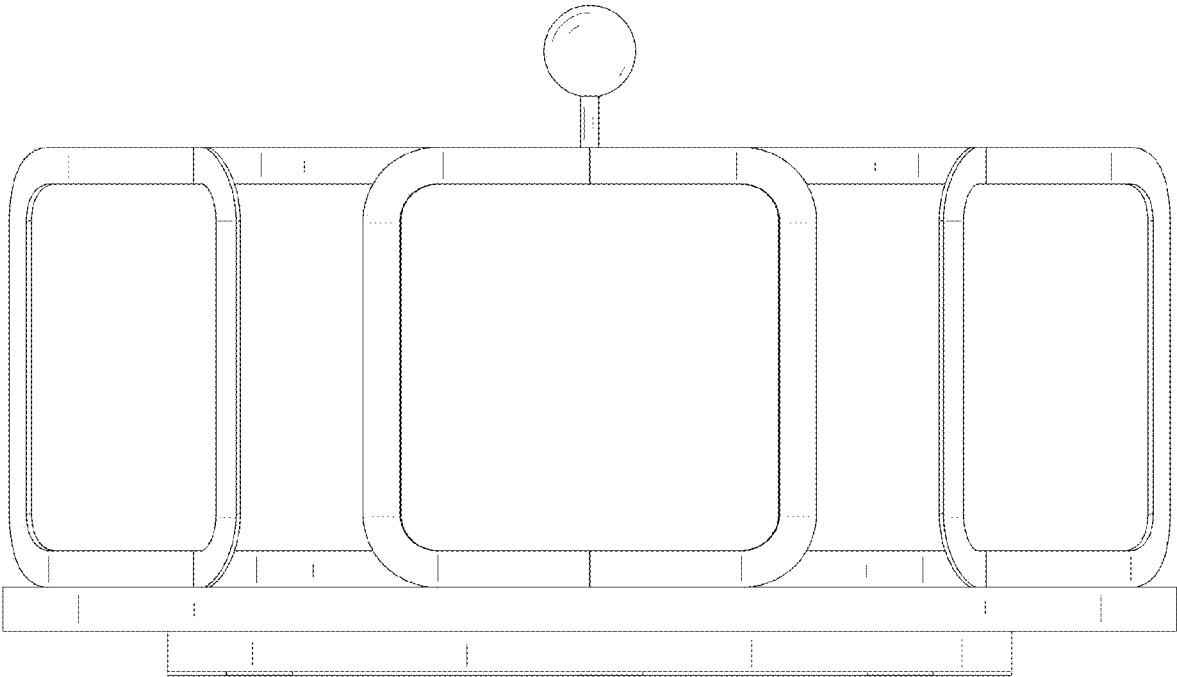


FIG. 5

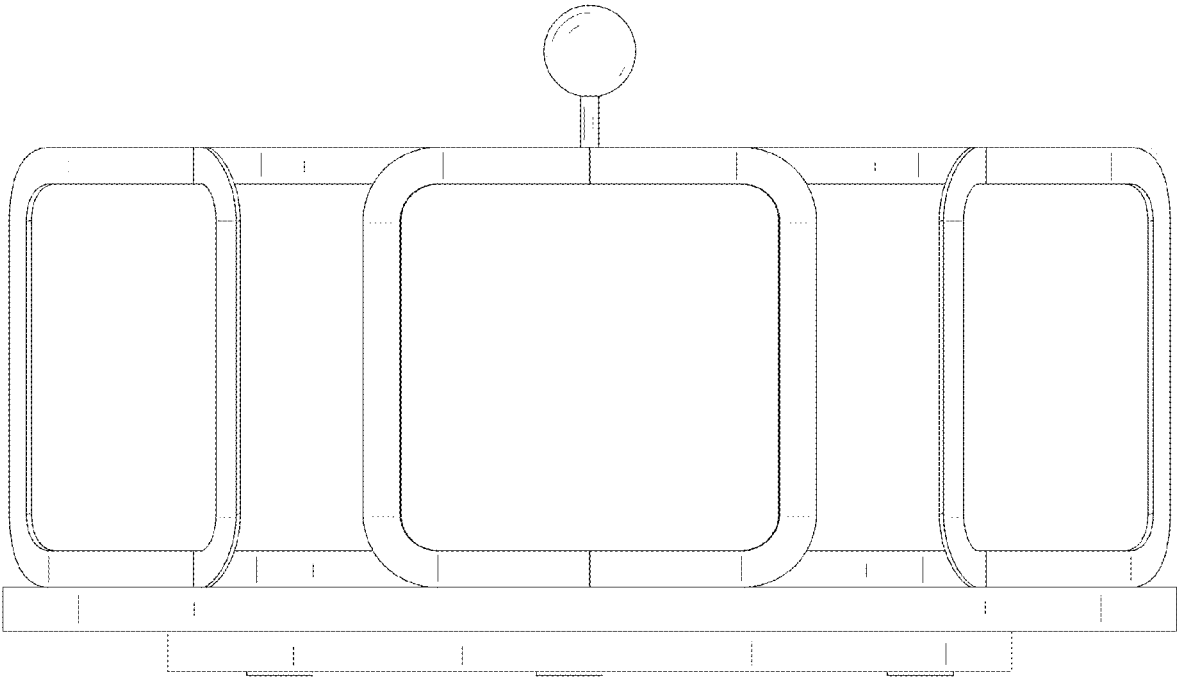


FIG. 6

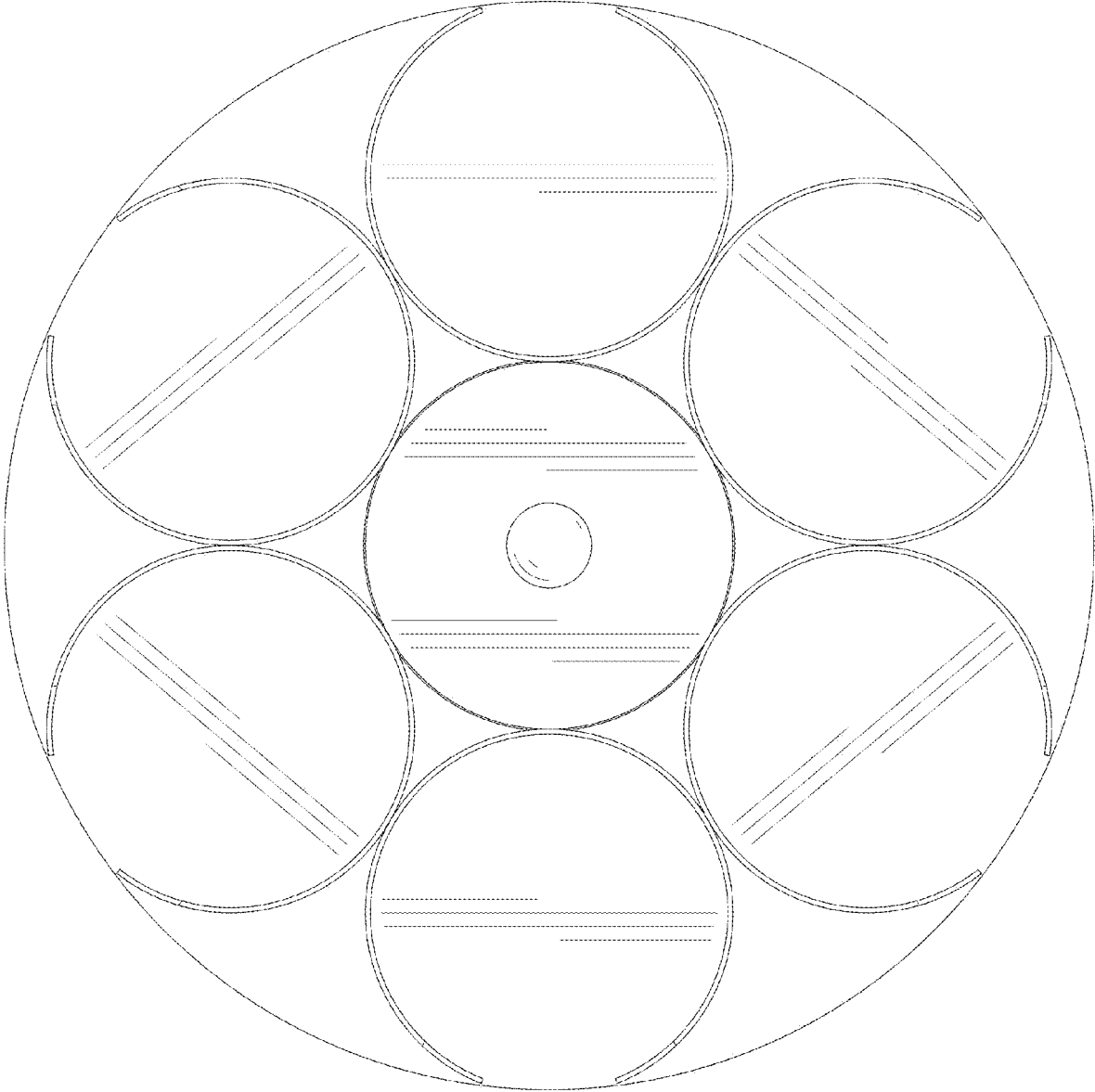


FIG. 7

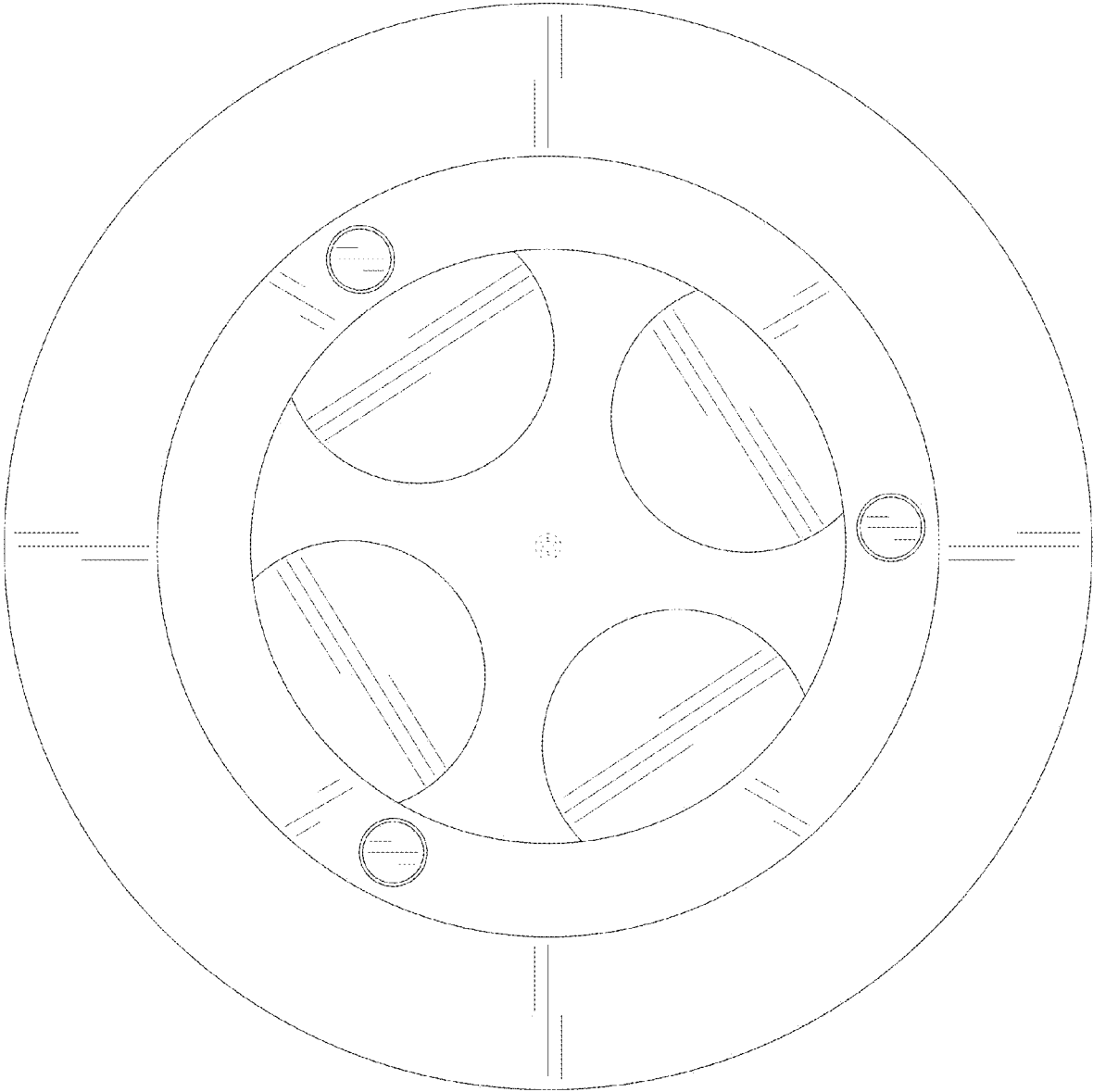


FIG. 8