



US00D348731S

United States Patent [19]

[11] Patent Number: Des. 348,731

Crawford

[45] Date of Patent: ** Jul. 12, 1994

[54] COMBINED URINE COLLECTOR AND CUP

4,751,751	6/1988	Reno .	
4,769,215	9/1988	Ehrenkranz	422/102 X
4,769,858	9/1988	Gamm et al. .	
4,846,819	7/1989	Welch	604/329

[76] Inventor: **Kathy S. Crawford**, 5147 Holmes St., #2, Pittsburgh, Pa. 15201

[**] Term: **14 Years**

Primary Examiner—Stella Reid
Assistant Examiner—I. Simmons
Attorney, Agent, or Firm—Terry M. Gernstein

[21] Appl. No.: **544,153**

[57] **CLAIM**

[22] Filed: **Jun. 26, 1990**

The ornamental design for a combined urine collector and cup, as shown and described.

[52] U.S. Cl. **D24/122**

[58] **Field of Search** 128/762, 761, 760, 300; 604/329, 330, 331, 346, 347, 349; 4/114.1, 144.1, 144.4; D24/121, 122, 123, 127

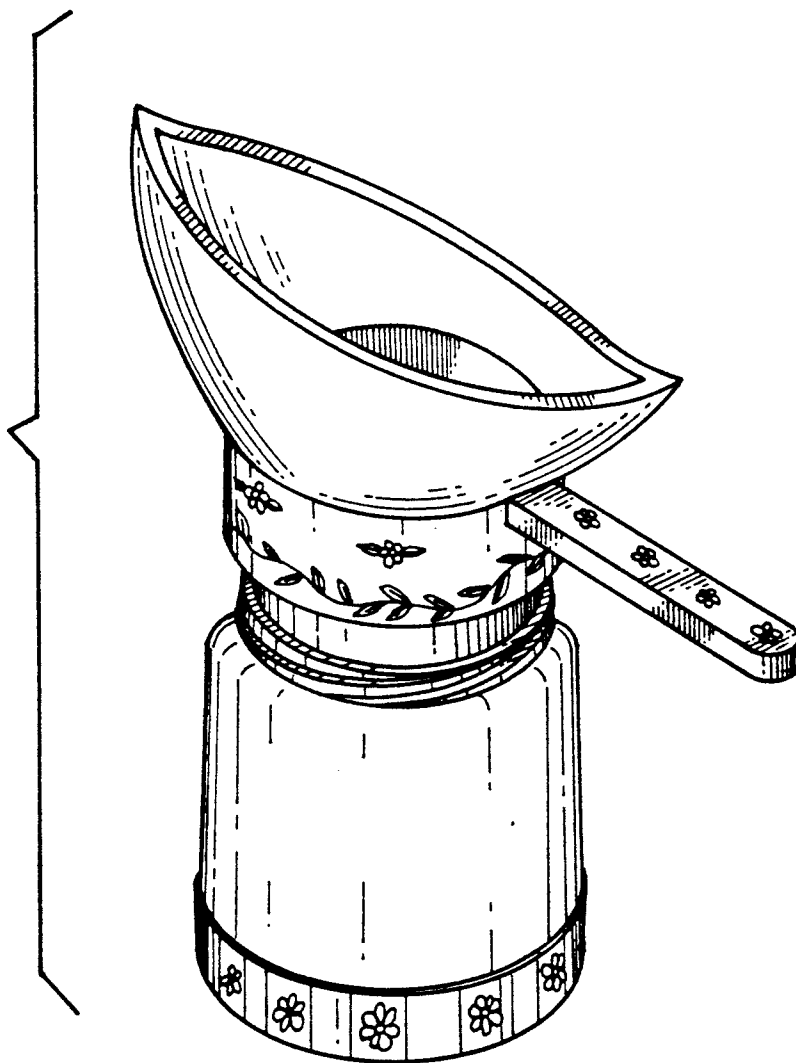
DESCRIPTION

[56] **References Cited**

FIG. 1 is a perspective view of a combined urine collector and cup showing my new design; FIG. 2 is a side elevational view thereof, the opposite side being a mirror image thereto; FIG. 3 is a rear elevational view thereof; FIG. 4 is a top plan view thereof; and, FIG. 5 is a bottom plan view thereof.

U.S. PATENT DOCUMENTS

- | | | | |
|------------|--------|-------------------|---------|
| D. 195,930 | 8/1963 | Hill | D24/122 |
| D. 303,572 | 9/1989 | Parrish | D24/122 |
| D. 303,573 | 9/1989 | Parrish | D24/122 |
| 3,625,654 | 5/1970 | Van Duyne | 422/102 |
| 4,681,573 | 7/1987 | McGovern et al. . | |



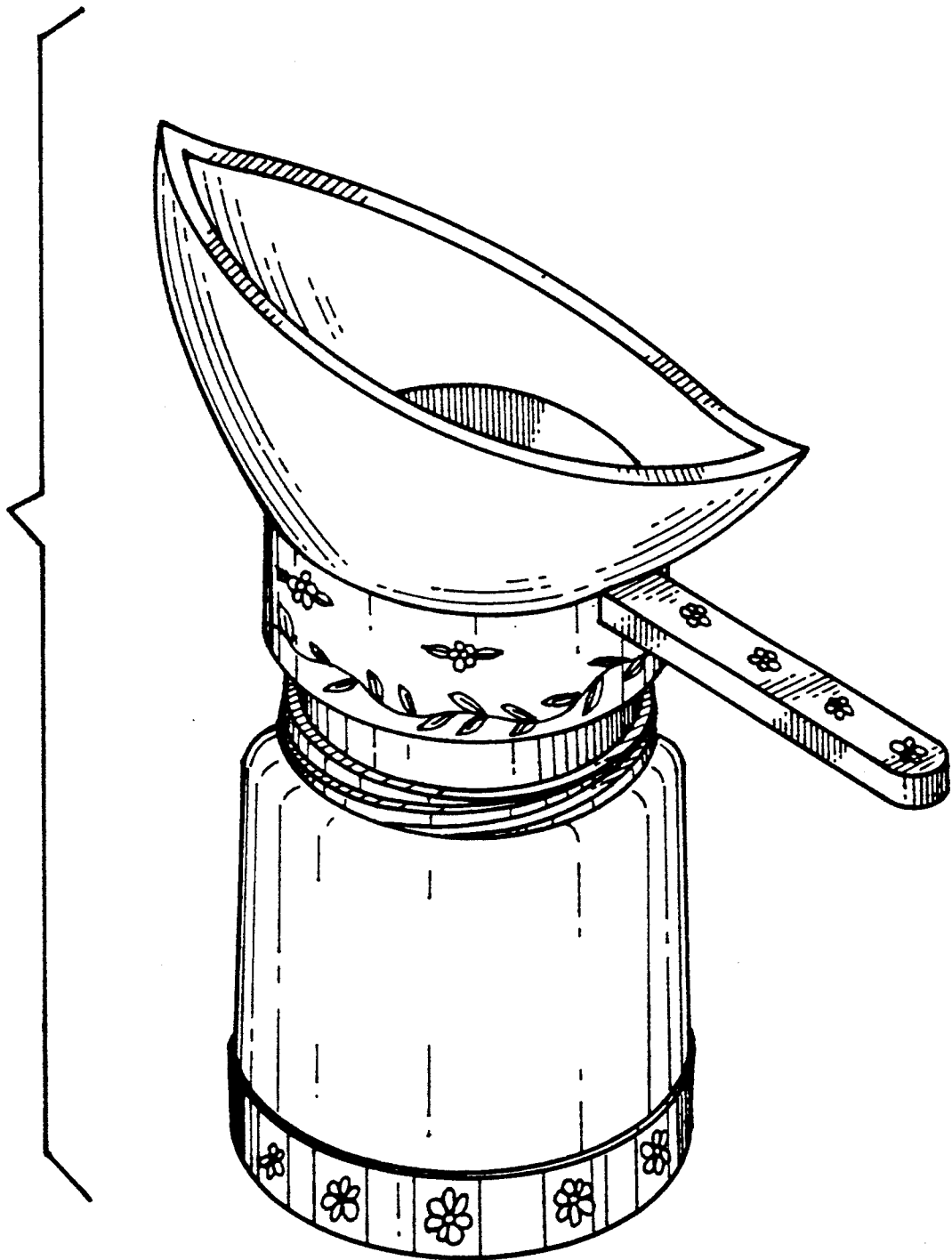


FIG.1

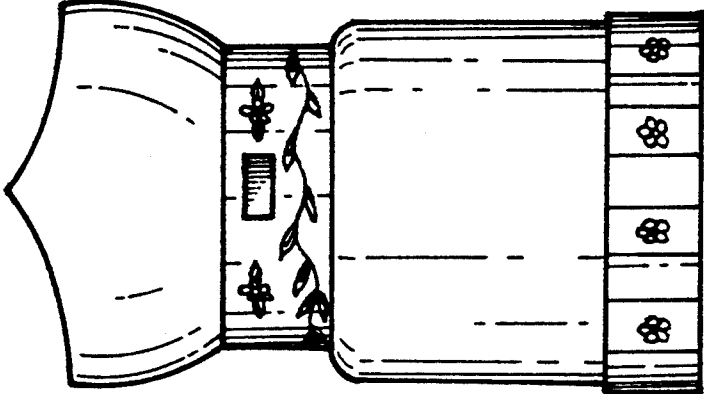


FIG.3

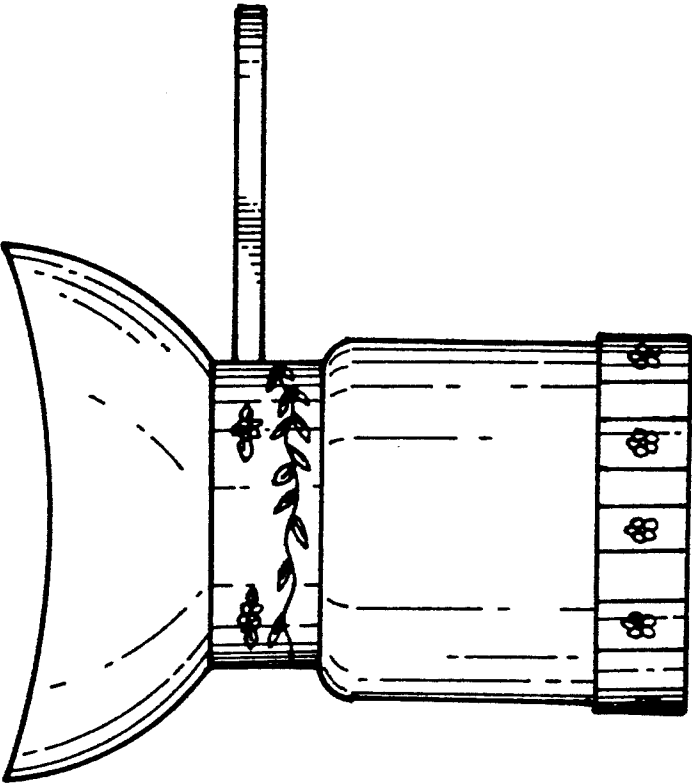


FIG.2

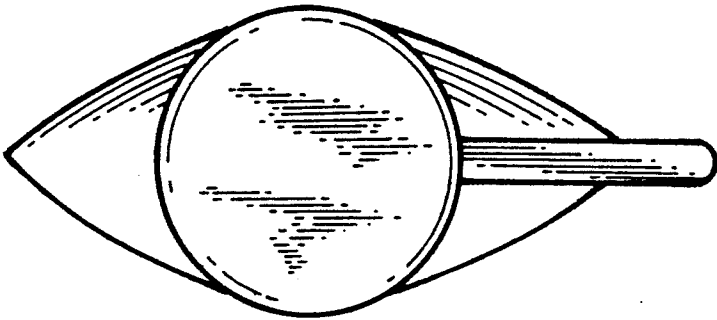


FIG. 5

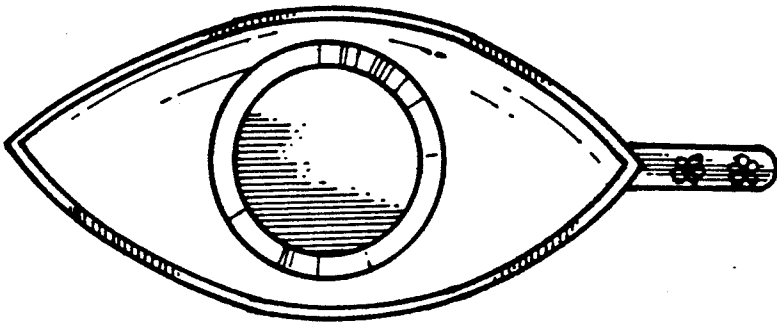


FIG. 4