



US00D813350S

(12) **United States Design Patent**
Zhadanov

(10) **Patent No.:** **US D813,350 S**

(45) **Date of Patent:** **** *Mar. 20, 2018**

(54) **SHOWERHEAD**

D527,440 S * 8/2006 Macan D23/213
D531,261 S * 10/2006 Tse D23/213
D626,625 S * 11/2010 Lee D23/229

(76) Inventor: **Eli Zhadanov**, Brooklyn, NY (US)

* cited by examiner

(*) Notice: This patent is subject to a terminal disclaimer.

Primary Examiner — Robin V Webster
(74) *Attorney, Agent, or Firm* — Henry M. Feiereisen, LLC

(**) Term: **14 Years**

(21) Appl. No.: **29/423,488**

(57) **CLAIM**

The ornamental design for a showerhead, as shown and described.

(22) Filed: **Jun. 1, 2012**

(51) **LOC (11) Cl.** **23-01**

DESCRIPTION

(52) **U.S. Cl.**
USPC **D23/229**

FIG. 1 is a perspective view of a showerhead showing my new design;

(58) **Field of Classification Search**
USPC D23/213, 229, 230; 239/282, 283, 462
See application file for complete search history.

FIG. 2 is a front elevational view of the showerhead showing my new design; and,

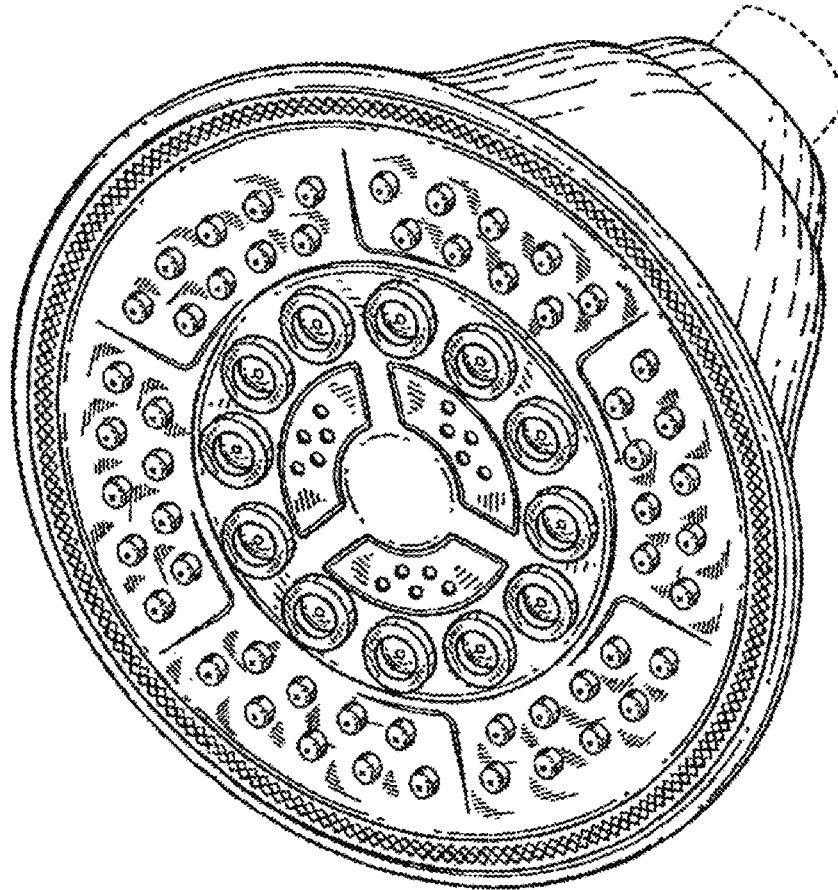
(56) **References Cited**

U.S. PATENT DOCUMENTS

2,975,980 A * 3/1961 Siebert et al. 239/316
D500,121 S * 12/2004 Blomstrom D23/213

FIG. 3 is a right side elevational view of the showerhead showing my new design, with a left side elevational view, a top view and a bottom view being mirror images thereof. The broken line showing is included for the purpose of illustrating and forms no part of the claimed design.

1 Claim, 3 Drawing Sheets



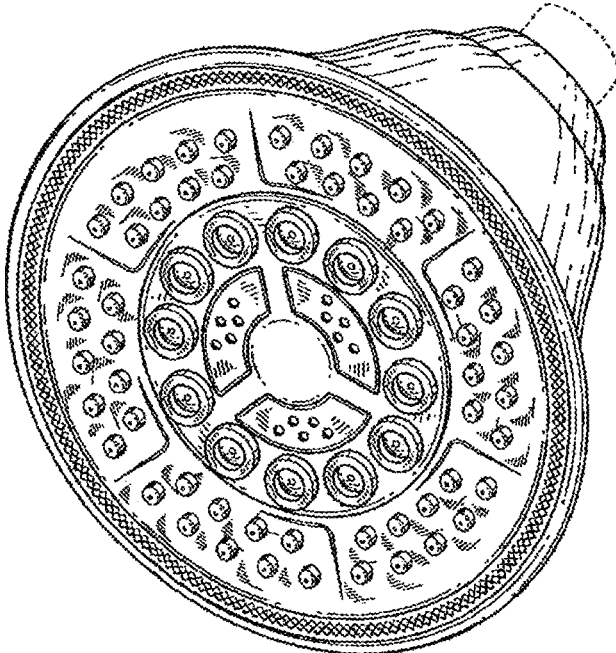


FIG. 1

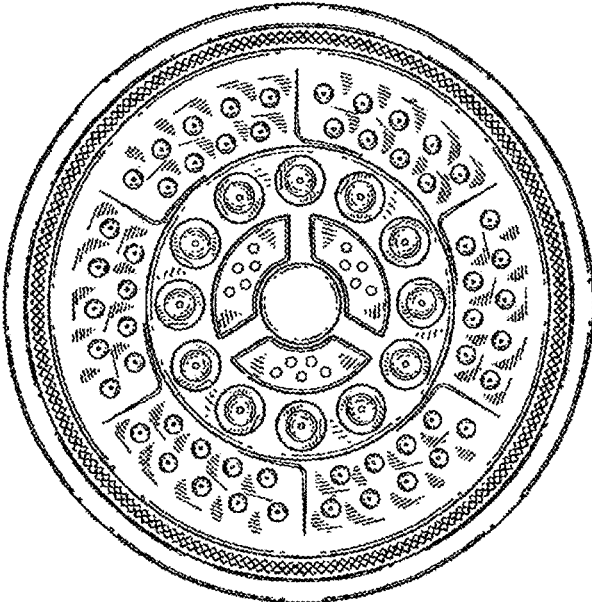


FIG. 2

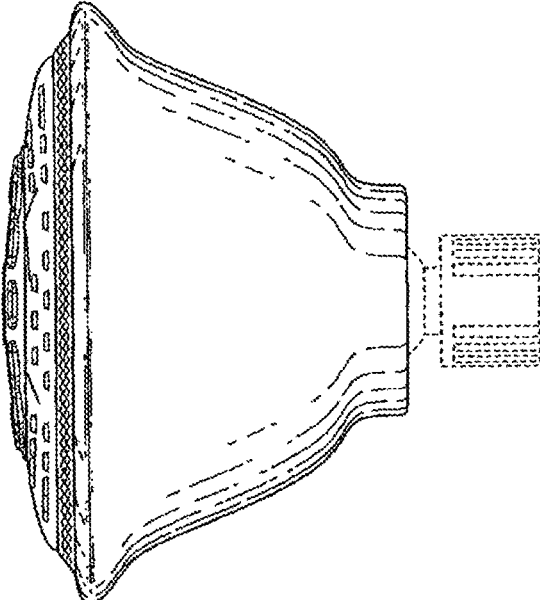


FIG. 3