

187,343

COMBINED TURNTABLE AND MAGAZINE UNIT FOR A PHONOGRAPH

Lyndon A. Durant, Chicago, Ill., assignor to United Music
Corporation, Chicago, Ill., a corporation of Illinois

Application August 12, 1958, Serial No. 52,177

Term of patent 14 years

(Cl. D56—4)

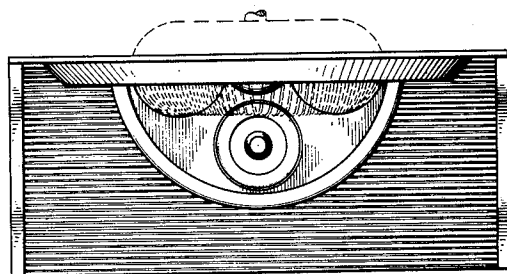
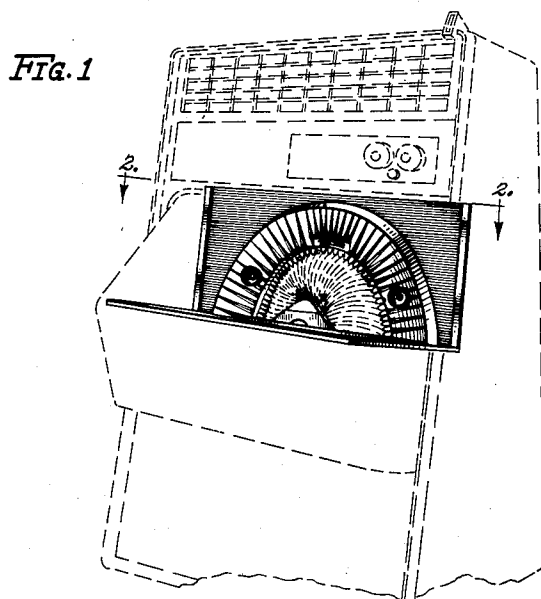


FIG. 2

Des. 187,343

PAGE 2

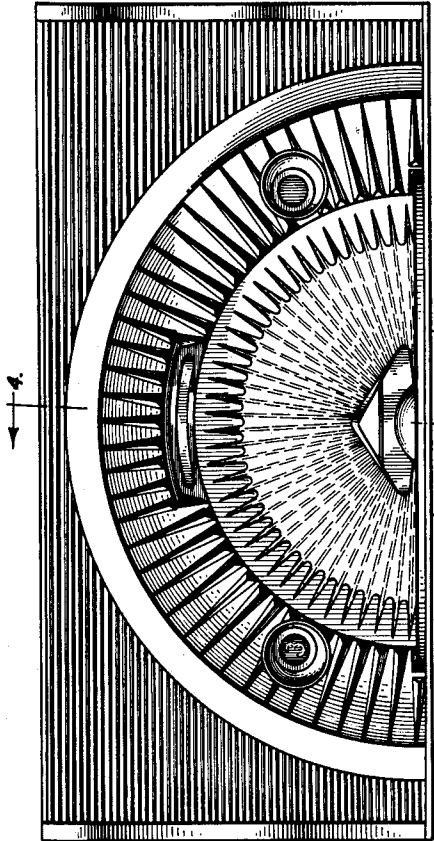


FIG. 3

FIG. 4

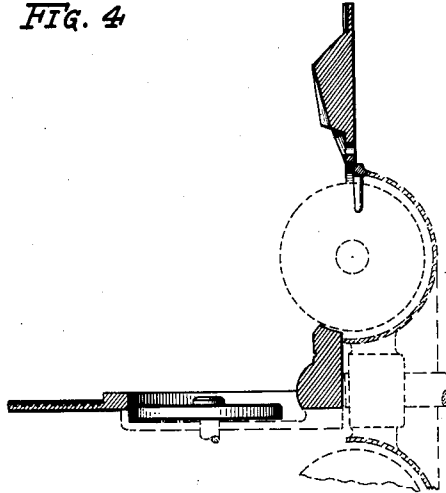


Fig. 1 is a front perspective view of a combined turntable and magazine unit for a phonograph showing my new design.

Fig. 2 is an enlarged top plan view thereof taken through section line 2—2.

Fig. 3 is an enlarged front elevational view thereof.

Fig. 4 is a cross-sectional view taken through section line 4—4, Fig. 3.

The broken line showing of phonograph records and a portion of a phonograph cabinet are for illustrative purpose only.

I claim:

The ornamental design for a combined turntable and magazine unit for a phonograph, as shown and described.

No references cited.