



US0D1053243S

(12) **United States Design Patent**  
**Chen**

(10) **Patent No.:** **US D1,053,243 S**

(45) **Date of Patent:** **\*\* Dec. 3, 2024**

- (54) **WRITING PAD CALCULATOR**
- (71) Applicant: **Meijiao Chen**, Ganzhou (CN)
- (72) Inventor: **Meijiao Chen**, Ganzhou (CN)
- (\*\*) Term: **15 Years**
- (21) Appl. No.: **29/796,355**
- (22) Filed: **Jun. 23, 2021**
- (51) **LOC (14) Cl.** ..... **18-01**
- (52) **U.S. Cl.**  
USPC ..... **D18/7; D14/345**
- (58) **Field of Classification Search**  
USPC ..... D18/6-11, 1, 2, 12, 4.1, 4.2, 4.4;  
D14/338, 339, 341, 342, 343, 345, 346,  
D14/399, 455, 456, 129, 247; D19/128,  
D19/60; D21/512  
CPC ..... G06G 1/00; G06G 1/0073; G06G 1/02;  
G06G 1/025; G06G 1/04; G06G 3/00;  
G06G 3/02; G06G 3/04; G06F 15/00;  
G06F 15/02; G06F 15/0216; G06F  
15/0225; G06F 17/00; G06F 17/10; G06F  
17/11; G06F 7/38; G06F 7/40; G06F  
7/46; G06F 7/461; G06F 7/462  
See application file for complete search history.

D323,670 S *	2/1992	Peersmann	.....	D18/7
D332,274 S *	1/1993	Peersmann	.....	D18/7
D334,020 S *	3/1993	Takahata	.....	D18/6
D334,736 S *	4/1993	Sawada	.....	D18/7
D335,685 S *	5/1993	Chen	.....	D18/7
D377,189 S *	1/1997	Komuta	.....	D18/7
D388,456 S *	12/1997	Takahata	.....	D18/7
D680,532 S *	4/2013	Reeves	.....	D14/345
D712,900 S *	9/2014	Miki	.....	D14/345
D921,624 S *	6/2021	Li	.....	D14/342
2005/0179670 A1 *	8/2005	Chiang	.....	G06F 3/04883 D14/341

**FOREIGN PATENT DOCUMENTS**

CN	306794742	*	8/2021
CN	306795872	*	8/2021
CN	306824858	*	9/2021
CN	306900366	*	10/2021
CN	307018963	*	12/2021

\* cited by examiner

*Primary Examiner* — Marie D. Fast Horse

(57) **CLAIM**

The ornamental design for a writing pad calculator, as shown and described.

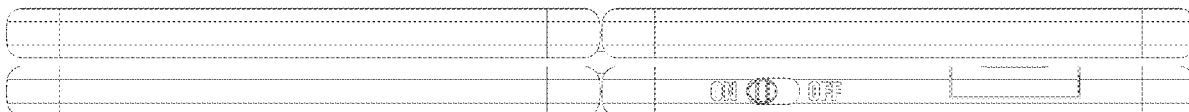
**DESCRIPTION**

FIG. 1 is a front, right side perspective view of a writing pad calculator, showing my new design;  
 FIG. 2 is a rear, left side perspective view thereof;  
 FIG. 3 is a front elevation view thereof;  
 FIG. 4 is a rear elevation view thereof;  
 FIG. 5 is a left side elevation view thereof;  
 FIG. 6 is a right side elevation view thereof;  
 FIG. 7 is a top plan view thereof; and,  
 FIG. 8 is a bottom plan view thereof.

**1 Claim, 6 Drawing Sheets**

(56) **References Cited**  
**U.S. PATENT DOCUMENTS**

D241,381 S *	9/1976	Garnier	.....	D18/7
D248,994 S *	8/1978	Ikeda	.....	D18/7
D285,805 S *	9/1986	Yubisui	.....	D18/7
D293,920 S *	1/1988	Yubisui	.....	D18/7
D297,947 S *	10/1988	Yubisui	.....	D18/7
D309,601 S *	7/1990	Sawada	.....	D18/7
D317,440 S *	6/1991	Sawada	.....	D18/7
D317,781 S *	6/1991	Takahata	.....	D18/7
D317,782 S *	6/1991	Haneda	.....	D18/7



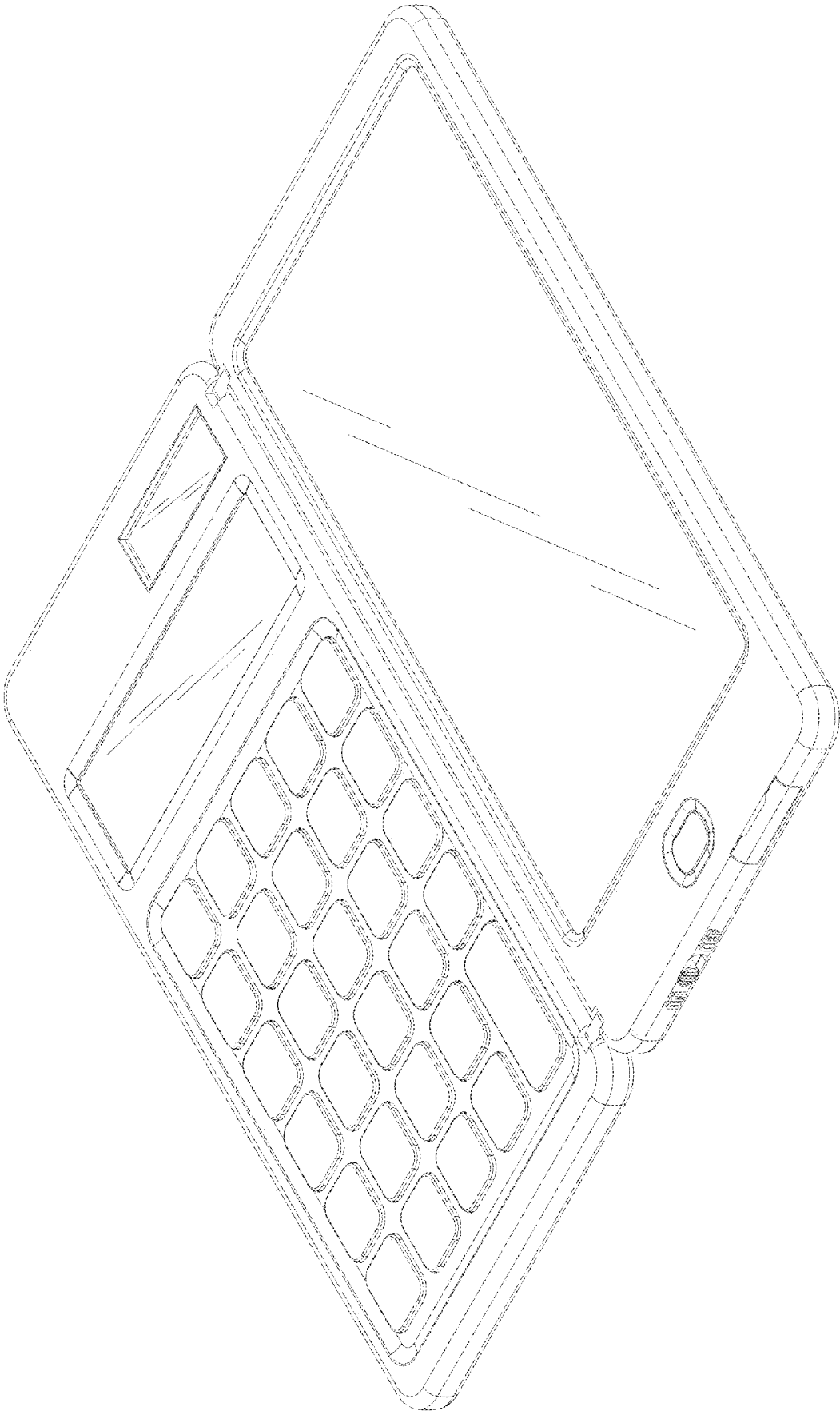


FIG. 1

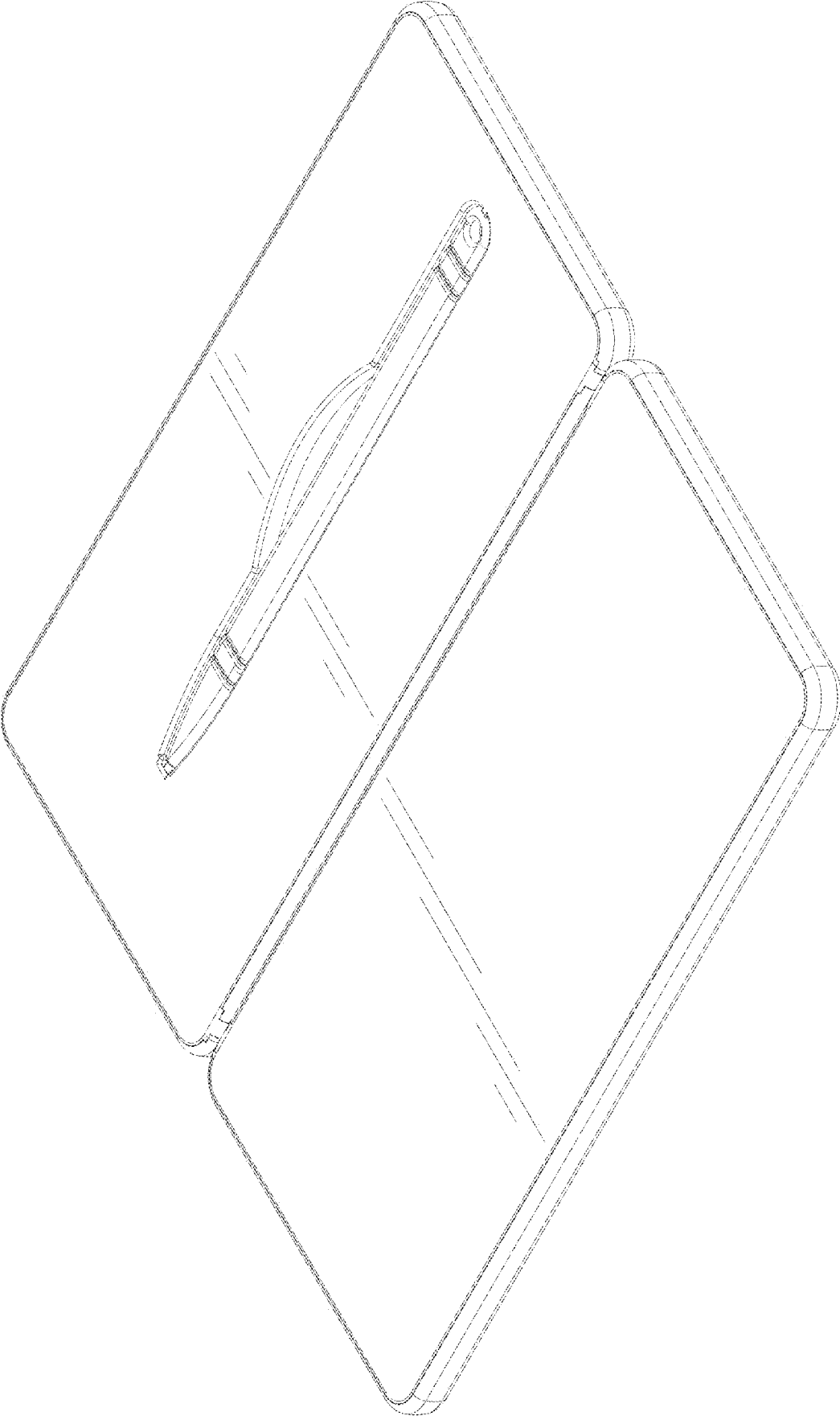


FIG. 2

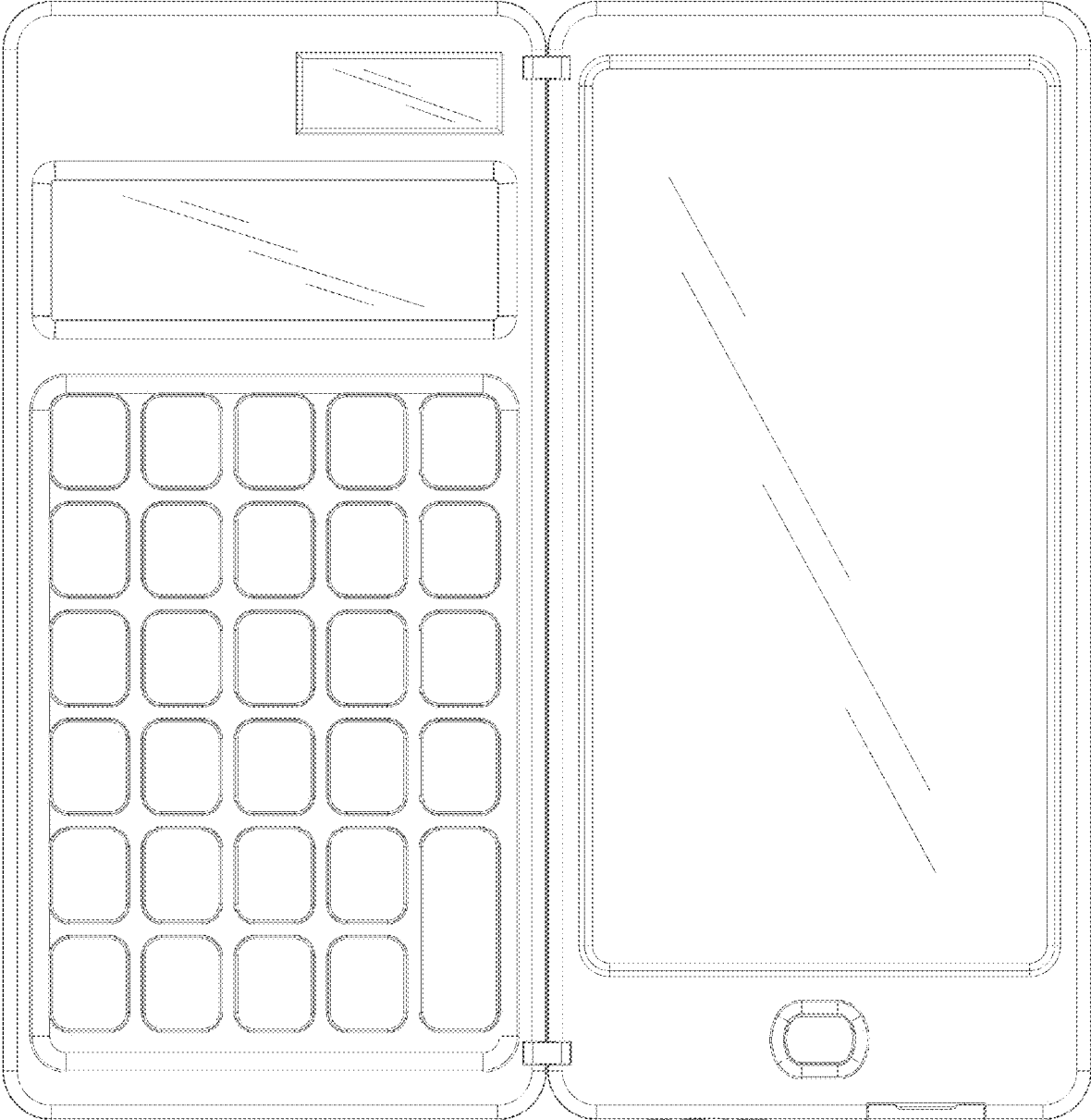


FIG. 3

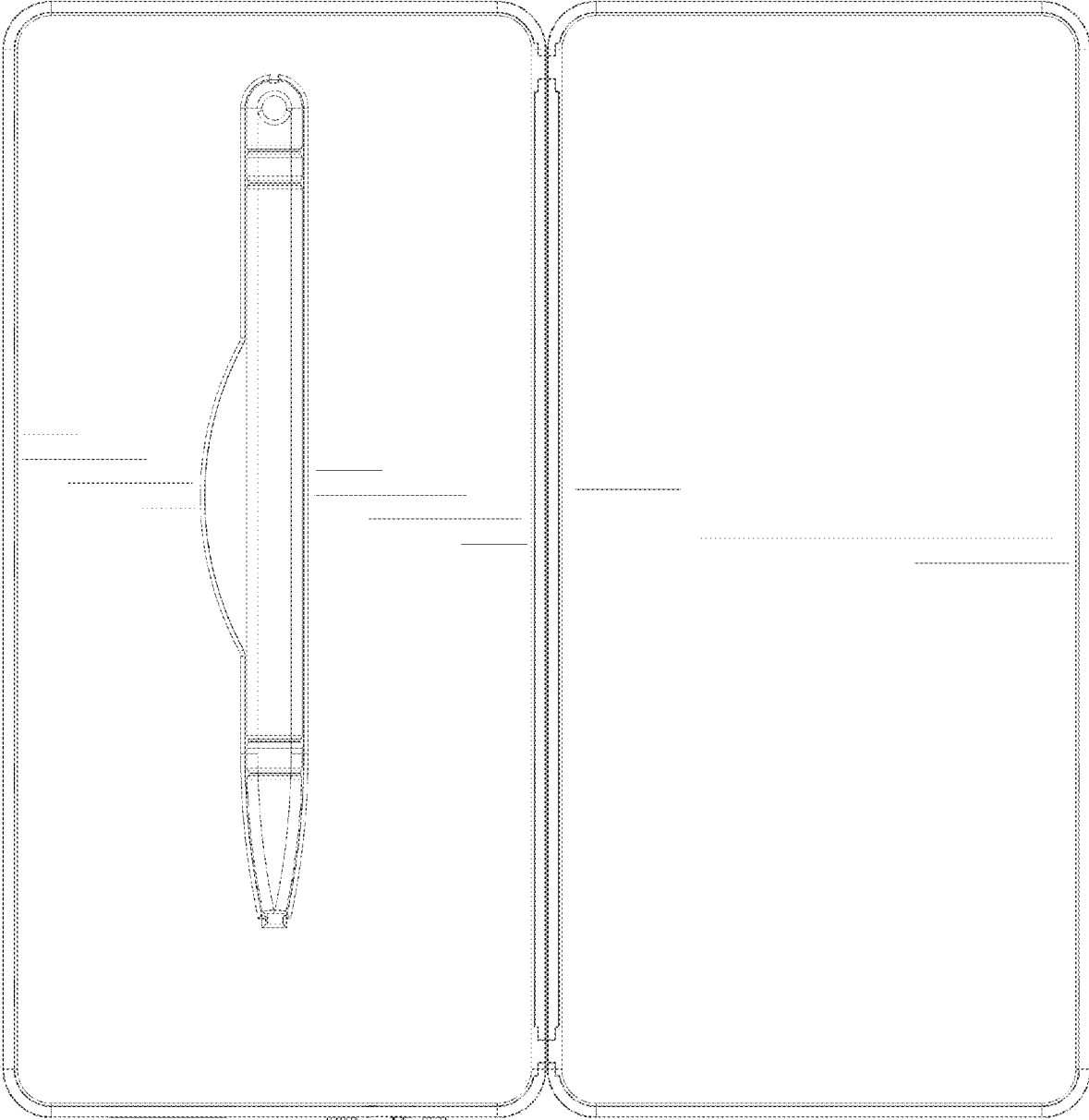


FIG. 4

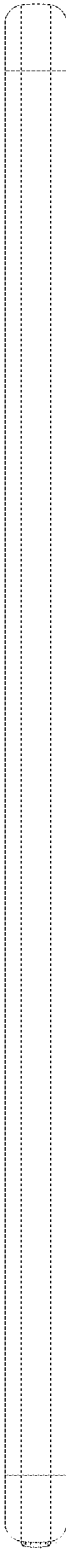


FIG. 5



FIG. 6



FIG. 7

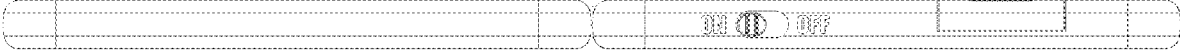


FIG. 8