



US00D577315S

(12) **United States Design Patent**  
**Parker**

(10) **Patent No.:** **US D577,315 S**

(45) **Date of Patent:** **\*\* Sep. 23, 2008**

(54) **RECREATIONAL TRAILER**

D544,407 S \* 6/2007 Heard ..... D12/102  
D546,245 S \* 7/2007 Heard ..... D12/102

(76) Inventor: **Raymond Parker**, 2267 E. Long Lake Rd., Troy, MI (US) 48085

\* cited by examiner

(\*\*) Term: **14 Years**

*Primary Examiner*—Stacia Cadmus

(74) *Attorney, Agent, or Firm*—Dickinson Wright, PLLC

(21) Appl. No.: **29/317,907**

(57) **CLAIM**

(22) Filed: **May 9, 2008**

The ornamental design for a recreational trailer, as shown and described.

(51) **LOC (8) Cl.** ..... **12-10**

(52) **U.S. Cl.** ..... **D12/102**

(58) **Field of Classification Search** ..... D12/101-103;  
280/656, 763.1, 482, 475, 204, 63, 418.6,  
280/658, 47.25; 296/173, 190, 181.1-181.3,  
296/100.01-100.08, 181

See application file for complete search history.

**DESCRIPTION**

FIG. 1 is a perspective view of a recreational trailer design;  
FIG. 2 is a perspective view of the recreational trailer in FIG. 1;

FIG. 3 is a side view of the recreational trailer in FIG. 1;

FIG. 4 is a side view of the recreational trailer in FIG. 1;

FIG. 5 is a front view of the recreational trailer in FIG. 1;

FIG. 6 is a back view of the recreational trailer in FIG. 1; and,

FIG. 7 is a top view of the recreational trailer in FIG. 1.

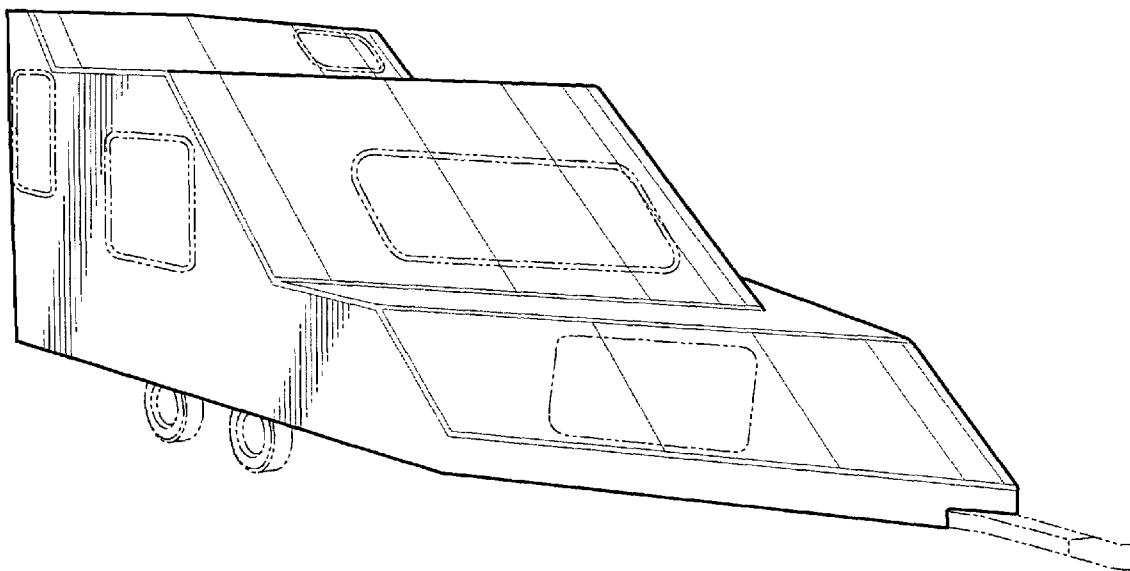
It will be understood that the dashed lines presented in the drawings are for illustration only, and do not form a part of the claimed design.

(56) **References Cited**

**U.S. PATENT DOCUMENTS**

D149,702 S *	5/1948	Smith	.....	D12/102
D232,021 S *	7/1974	Stahlheber	.....	D12/102
D313,955 S *	1/1991	van der Merwe et al.	..	D12/102
D367,248 S *	2/1996	Christensen	.....	D12/102
D443,561 S *	6/2001	Voogt	.....	D12/102
D458,190 S *	6/2002	LeDonne	.....	D12/102
D509,169 S *	9/2005	Keighan	.....	D12/102
D522,920 S *	6/2006	Anderson	.....	D12/101

**1 Claim, 4 Drawing Sheets**



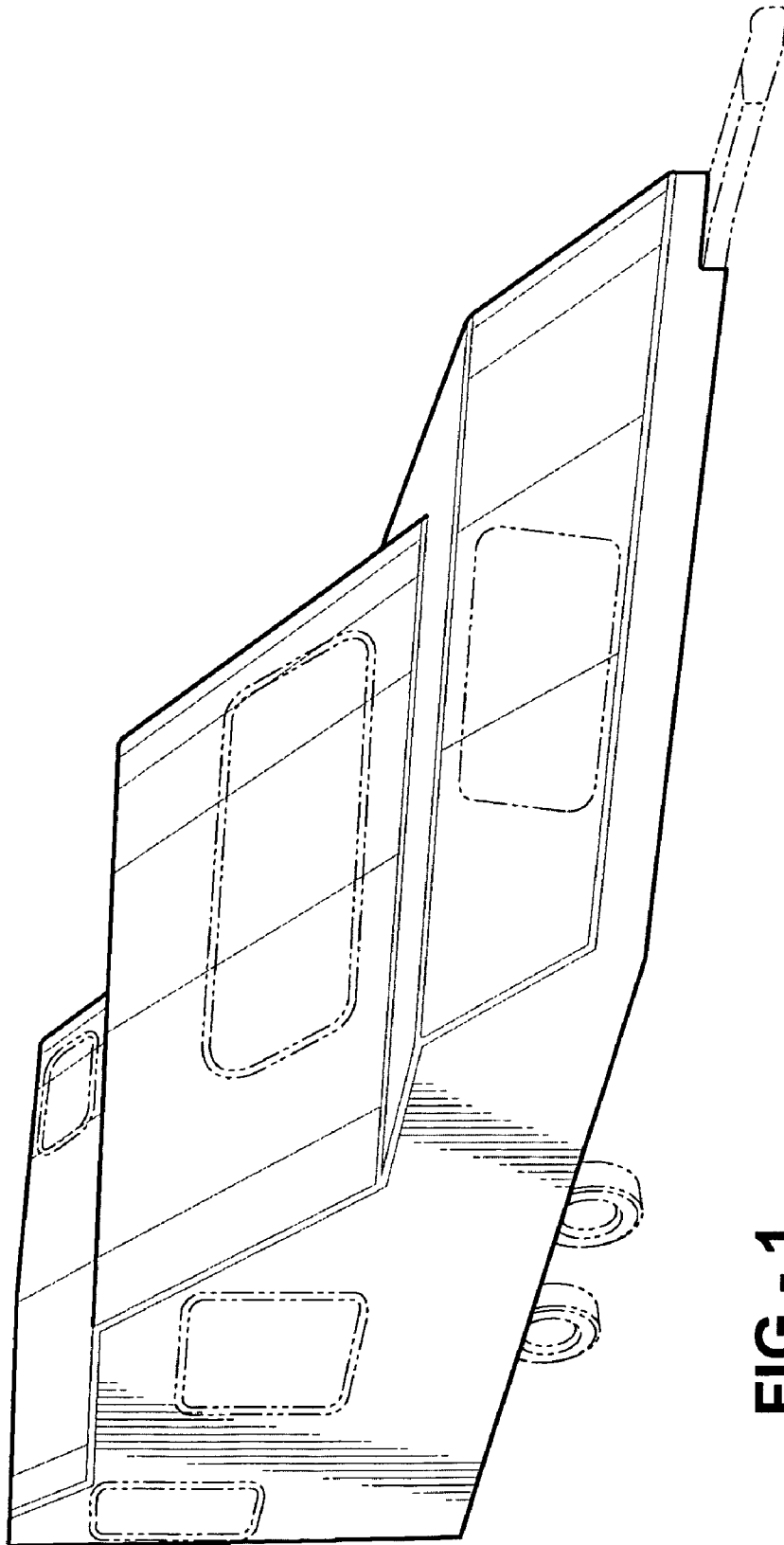


FIG - 1

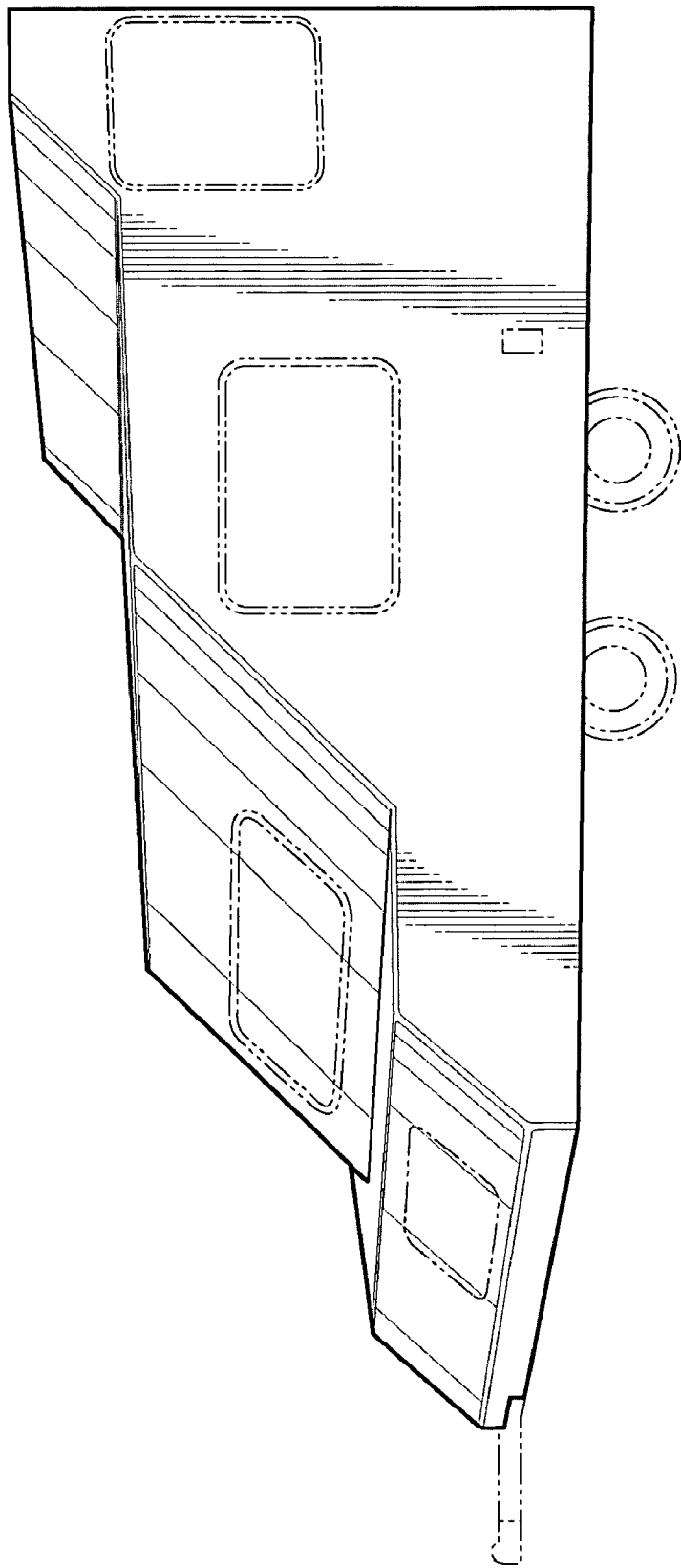


FIG - 2

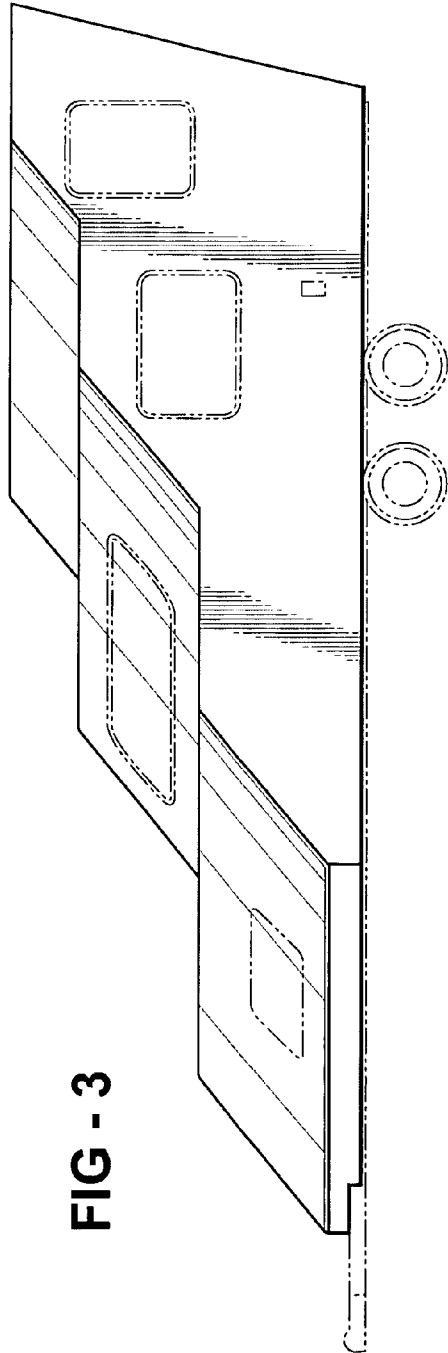


FIG - 3

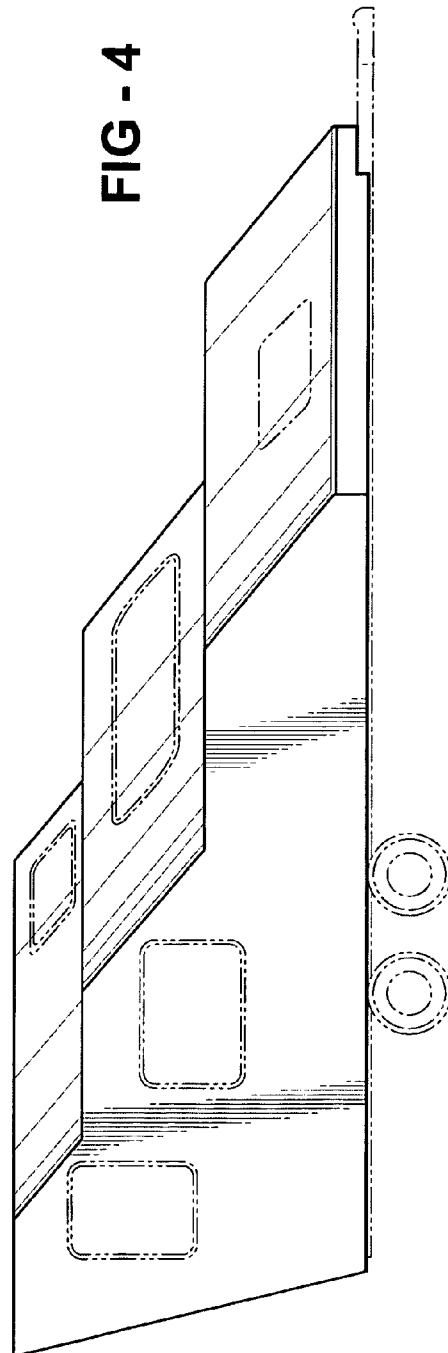


FIG - 4

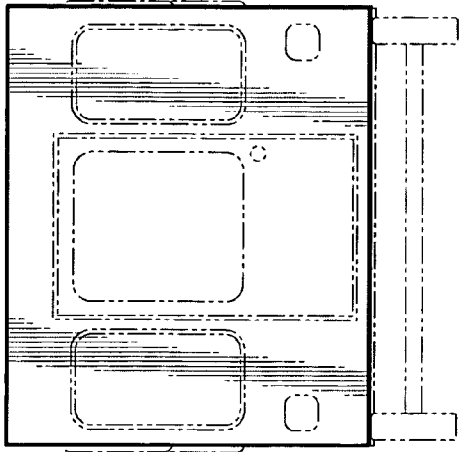


FIG - 6

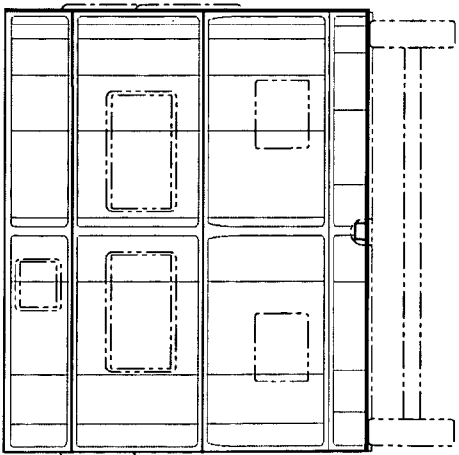


FIG - 5

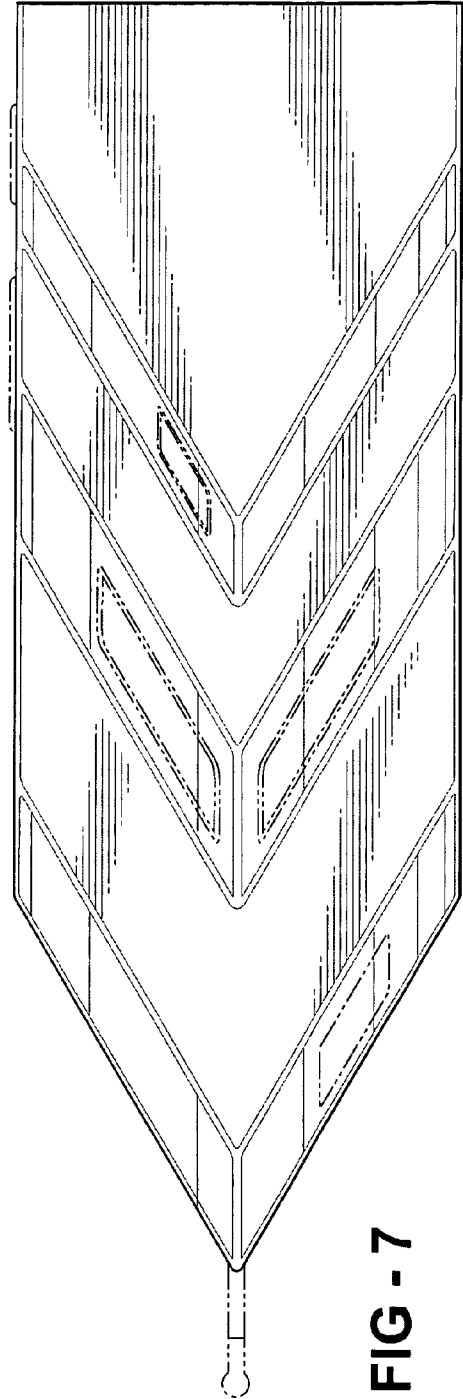


FIG - 7