



(51) International Patent Classification:

G02B 27/00 (2006.01) G02B 27/10 (2006.01)  
G02B 27/01 (2006.01)

(21) International Application Number:

PCT/IL2018/051127

(22) International Filing Date:

22 October 2018 (22.10.2018)

(25) Filing Language:

English

(26) Publication Language:

English

(30) Priority Data:

62/575,477 22 October 2017 (22.10.2017) US

(71) Applicant: LUMUS LTD. [IL/IL]; 8 Pinchas Sapir Street,  
7403631 Ness Ziona (IL).

(72) Inventors: GREENSTEIN, Yaakov; Chaim Baggio Street  
9/7, 9314559 Jerusalem (IL). SHULTZ, Uri; Dov Hoz

Street 13/3, 4940634 Petach Tikvah (IL). FRIEDMAN, Sh-  
muel; Ben Avi Street 27, 7405127 Ness Ziona (IL).

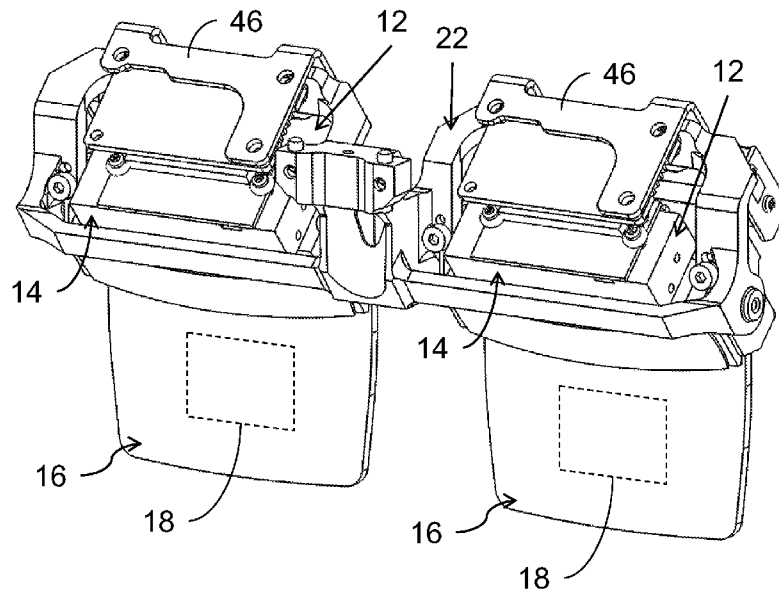
(74) Agent: FRIEDMAN, Mark; Moshe Aviv Tower 54th  
Floor, 7 Jabotinski St., 5252007 Ramat- Gan (IL).

(81) Designated States (unless otherwise indicated, for every  
kind of national protection available): AE, AG, AL, AM,  
AO, AT, AU, AZ, BA, BB, BG, BH, BN, BR, BW, BY, BZ,  
CA, CH, CL, CN, CO, CR, CU, CZ, DE, DJ, DK, DM, DO,  
DZ, EC, EE, EG, ES, FI, GB, GD, GE, GH, GM, GT, HN,  
HR, HU, ID, IL, IN, IR, IS, JO, JP, KE, KG, KH, KN, KP,  
KR, KW, KZ, LA, LC, LK, LR, LS, LU, LY, MA, MD, ME,  
MG, MK, MN, MW, MX, MY, MZ, NA, NG, NI, NO, NZ,  
OM, PA, PE, PG, PH, PL, PT, QA, RO, RS, RU, RW, SA,  
SC, SD, SE, SG, SK, SL, SM, ST, SV, SY, TH, TJ, TM, TN,  
TR, TT, TZ, UA, UG, US, UZ, VC, VN, ZA, ZM, ZW.

(84) Designated States (unless otherwise indicated, for every  
kind of regional protection available): ARIPO (BW, GH,

(54) Title: HEAD-MOUNTED AUGMENTED REALITY DEVICE EMPLOYING AN OPTICAL BENCH

FIG. 5



(57) Abstract: A head-mounted augmented reality device (10) includes a pair of optical modules (12) for the right and left eyes of the user, each having a collimating display source (14) optically coupled to a light guide (16) for directing image illumination towards an eye of the user. A support structure (20) is supported by the head of the user. An optical bench (22) provides a first set of alignment features (26, 28, 32, 74) for aligning and affixing the right optical module and a second set of alignment features (26, 28, 32, 74) for aligning and affixing the left optical module. A suspension arrangement suspends the optical bench relative to the support structure. The optical bench (22) provides the sole mechanical connection between the pair of optical modules (12) and the support structure (20).



WO 2019/077614 A1

GM, KE, LR, LS, MW, MZ, NA, RW, SD, SL, ST, SZ, TZ,  
UG, ZM, ZW), Eurasian (AM, AZ, BY, KG, KZ, RU, TJ,  
TM), European (AL, AT, BE, BG, CH, CY, CZ, DE, DK,  
EE, ES, FI, FR, GB, GR, HR, HU, IE, IS, IT, LT, LU, LV,  
MC, MK, MT, NL, NO, PL, PT, RO, RS, SE, SI, SK, SM,  
TR), OAPI (BF, BJ, CF, CG, CI, CM, GA, GN, GQ, GW,  
KM, ML, MR, NE, SN, TD, TG).

**Published:**

— *with international search report (Art. 21(3))*

## Head-Mounted Augmented Reality Device Employing An Optical Bench

### FIELD AND BACKGROUND OF THE INVENTION

5 The present invention relates to augmented reality displays and, in particular, provides a head-mounted augmented reality device employing an optical bench to achieve and preserve alignment of the optical modules.

Augmented reality, also referred to as mixed reality, is a technology that allows virtual imagery to be mixed with a user's view of the real world. In addition to making the physical properties (e.g. shape, color, size, texture) of virtual objects realistic in a display, it is desired that their position and movement with respect to real objects display realistically. In order to enable such functionality in a head mounted device, additional sensors such as cameras and orientation sensors may be mounted alongside compact optical modules which integrate the real and virtual imagery. Such compact optical elements serve as both an imaging lens and a combiner, in which a two-dimensional display is imaged to infinity and reflected into the eye of an observer. Such optical modules typically include a collimating display source, which may be either an active illumination display or a light source illuminating a light-modulating display combined with collimating optics, and a light guide which receives a collimated image from the collimating display source and projects it into the eye of an observer.

20 The mechanical alignment and placement stability requirements between the collimating display source components and the light guide are stringent. Furthermore, the alignment and placement of the optical modules with respect to each other for binocular vision, as well as alignment with respect to any additional sensors and with respect to the observer, are subject to tight tolerances. Mechanical stress on the device, vibrations, shock, thermal fluctuations and thermal gradients may all lead to abrupt or gradual misalignment of the optical modules and other components, or damage to the modules.

### 25 SUMMARY OF THE INVENTION

The present invention is a head-mounted augmented reality device.

According to the teachings of an embodiment of the present invention there is provided, a head-mounted augmented reality device for displaying an augmented reality display to a user viewing a real scene, the device comprising: (a) a pair of optical modules including a right optical module for a right eye of the user and a left optical module for a left eye of the user, each of the optical modules comprising a collimating display source optically coupled to a light guide, the light guide being at least partially transparent and being configured to guide image

illumination projected by the collimating display source to a coupling-out region, and to couple out at least some of the image illumination from the coupling-out region towards an eye of the user; (b) a support structure configured to engage a head of the user so as to be supported by the head of the user; and (c) an optical bench comprising: (i) a first set of alignment features for aligning and affixing the right optical module, (ii) a second set of alignment features for aligning and affixing the left optical module, and (iii) a suspension arrangement for suspending the optical bench relative to the support structure, wherein the optical bench provides the sole mechanical connection between the pair of optical modules and the support structure.

According to a further feature of an embodiment of the present invention, each of the first and second sets of alignment features comprises at least one planar alignment surface and at least two locating features for locating known reference locations of the optical module relative to the at least one planar alignment surface.

According to a further feature of an embodiment of the present invention, the at least two locating features are selected from the group consisting of: a pin for engaging an alignment aperture of the optical module, and an alignment aperture for receiving a pin.

According to a further feature of an embodiment of the present invention, the optical bench is further provided with a bolt hole for receiving a bolt for tightening each of the optical modules against each corresponding planar alignment surface.

According to a further feature of an embodiment of the present invention, the at least two locating features are configured to provide one degree of freedom for adjustment of an interpupillary distance between the coupling-out regions of the optical modules.

According to a further feature of an embodiment of the present invention, the at least one planar alignment surface for aligning the right optical module and the at least one planar alignment surface for aligning the left optical module are inclined relative to each other to define an angle of binocular convergence.

According to a further feature of an embodiment of the present invention, each of the first and second sets of alignment features comprises two planar alignment surfaces disposed bilaterally relative to the coupling-out region of a corresponding one of the optical modules.

According to a further feature of an embodiment of the present invention, the optical bench is formed as a unitary block of material.

According to a further feature of an embodiment of the present invention, the optical bench comprises a first closed-loop frame for rigidly supporting the right optical module and a second closed-loop frame for rigidly supporting the left optical module.

According to a further feature of an embodiment of the present invention, the optical bench further comprises camera alignment features for aligning at least one imaging device relative to the pair of optical modules.

5 According to a further feature of an embodiment of the present invention, the suspension arrangement comprises at least one elastomeric damping element deployed to inhibit passing of vibrations from the support structure to the optical bench.

According to a further feature of an embodiment of the present invention, the optical bench and the pair of optical modules together have an overall width, and wherein the suspension arrangement connects to the optical bench only within a central region of the width.

10 According to a further feature of an embodiment of the present invention, the support structure comprises a casing at least partially enclosing the optical bench, wherein the casing is spaced from the optical bench and from the pair of optical modules so as to avoid contact between the casing and both the optical bench and the pair of optical modules under a range of normal operating conditions.

15 According to a further feature of an embodiment of the present invention, at least part of the waveguides project downwards from the casing.

According to a further feature of an embodiment of the present invention, the support structure comprises a headband for encircling the head of the user.

20 According to a further feature of an embodiment of the present invention, the support structure has a pair of side arms deployed for engaging ears of the user.

## BRIEF DESCRIPTION OF THE DRAWINGS

The invention is herein described, by way of example only, with reference to the accompanying drawings, wherein:

25 FIG. 1 is an isometric view of a head-mounted augmented reality device, constructed and operative according to an embodiment of the present invention;

FIG. 2 is an isometric view of an optical module for use in the device of FIG. 1;

FIGS. 3A and 3B are back and front isometric views, respectively, of an optical bench for use in the device of FIG. 1;

30 FIGS. 4A and 4B are partial isometric views illustrating part of the optical bench of FIG. 3A before and during, respectively, assembly of the optical module of FIG. 2 to the optical bench;

FIG. 4C is a front view of the assembly of the optical bench with two optical modules;

FIG. 5 is an isometric view of the assembly of FIG. 4C after attachment of additional driver circuitry to the assembly;

FIG. 6 is a cross-sectional view taken through the optical bench of FIG. 3A along a vertical plane through the center of a closed loop of the optical bench;

5 FIGS. 7A and 7B are views similar to FIGS. 4A and 4B illustrating a variant implementation allowing interpupillary distance adjustment between the optical modules;

FIG. 8 is a partial isometric view from beneath the device of FIG. 1 illustrating a spacing around the optical modules to accommodate adjustment of interpupillary distance;

10 FIG. 9A is an exploded isometric view illustrating a suspension arrangement for suspending the optical bench of FIG. 3A from a support structure, the suspension arrangement including a rotatable damping engagement;

FIG. 9B is a cross-sectional view taken through the rotatable damping engagement along a plane parallel to the axis of rotation;

15 FIG. 10 is a partial vertical cross-sectional view taken along a mid-plane of the device of FIG. 1 illustrating mounting of the optical bench via a suspension arrangement within a casing;

FIG. 11A is a schematic isometric illustration of the optical bench assembly mounted via the suspension arrangement showing the various directions of linear and rotational motion for which the suspension arrangement provides location and damping;

20 FIG. 11B is a schematic side view illustrating the relative positioning of the various damping elements of the suspension arrangement;

FIGS. 12A and 12B are an assembled and an exploded isometric view, respectively, of an assembly of the optical modules and optical bench of FIG. 4C together with additional components that are mounted on the optical bench;

25 FIGS. 13A and 13B are front and back isometric views, respectively, of an alternative implementation of an optical bench for use in an alternative implementation of the present invention;

FIG. 13C is an isometric view of an assembly of the optical bench of FIG. 13A with the optical modules of FIG. 2;

30 FIGS. 14A and 14B are two rear isometric views of an alternative implementation of an optical bench for use in an alternative implementation of the present invention; and

FIG. 14C is a partial isometric view of an assembly of the optical bench of FIG. 14A with two optical modules to form an alternative implementation of a device according to an embodiment of the present invention.

## DESCRIPTION OF THE PREFERRED EMBODIMENTS

The present invention is a head-mounted augmented reality device.

The principles and operation of devices according to the present invention may be better understood with reference to the drawings and the accompanying description.

5 Referring now to the drawings, FIGS. 1-14C illustrate various embodiments and various components of a head-mounted augmented reality device, generally designated **10**, for displaying an augmented reality display to a user viewing a real scene. In general terms, device **10** includes a pair of optical modules **12**, such as is illustrated in FIG. 1, including a right optical module for a right eye of the user and a left optical module for a left eye of the user. As best seen in FIG. 2,  
10 each optical module **12** includes a collimating display source **14** optically coupled to a light guide **16**, which is at least partially transparent and is configured to guide image illumination projected by collimating display source **12** to a coupling-out region **18** where it couples out at least some of the image illumination from the coupling-out region towards an eye of the user.

The device also includes a support structure **20** configured to engage regions of a head of  
15 the user so as to be supported by the head of the user. It is a particular feature of one aspect of the present invention that device **10** includes an optical bench **22** which provides a first set of alignment features for aligning and affixing the right optical module, a second set of alignment features for aligning and affixing the left optical module, and a suspension arrangement for suspending the optical bench relative to the support structure. It is a particularly preferred feature  
20 of this aspect of the present invention that optical bench **22** provides the sole mechanical connection between the pair of optical modules **12** and support structure **20**.

Use of an optical bench in this manner provides a number of advantages over direct mounting of the optical modules to the body-mounted support structure. Specifically, the optical bench preferably provides a relatively rigid interconnection between the optical modules,  
25 defining and maintaining accurate alignment between the two optical modules while at least partially isolating the optical modules from much of the stress, vibration and/or impact to which the body-mounted support structure may be exposed during normal use. The optical bench may also serve to define and maintain alignment between the optical modules and additional components, such as camera(s) and/or an inertial measurement unit (IMU), and similarly protect  
30 those elements from at least part of the mechanical and/or thermally-induced stresses to which the device may be exposed. The use of a dedicated optical bench, typically implemented using more rigid and/or more precisely machinable material than is used for the support structure, facilitates more precise alignment of the optical modules than could otherwise be achieved.

These and other advantages of the various embodiments of the present invention will be better understood with reference to the further description below.

The optical modules **12** referred to herein may be any type of optical module which includes a collimated image projector, referred to herein as collimating display source **14**, and an  
5 at least partially transparent combiner, referred to herein as light guide **16**, for combining the projected image illumination with light from the real world to provide an augmented reality display. The collimating display source is typically based on an image generating element such as an OLED array or an illuminated LCOS array, combined with collimating optics, typically in a compact configuration based on polarized beam splitters (PBS). Most preferably, the optical  
10 modules provide a mechanism for optical aperture expansion to enable use of a miniature image projector while achieving a relatively larger angular field of view and “eyebow” of available eye motion over which the displayed image can be seen. Available technologies for achieving such optical aperture expansion include, as one particularly preferred but non-limiting example, the use of obliquely angled partially reflective surfaces within light guide **16**, optionally in a two-  
15 stage expansion arrangement to achieve two dimensional aperture expansion, such as the various optical modules commercially available from Lumus Ltd. (Israel). Another aperture expansion technology commercially available from various sources employs diffractive optical elements to achieve coupling out of the image illumination from the light guide over an expanded area. It should be noted that the above are only examples, and that the present invention is applicable to  
20 any available technology which includes a display source and combiner to provide an augmented reality display. Details of the optical module design do not per se constitute part of the invention, and will therefore not be further discussed in this document.

Optical modules **12** for implementing the present invention may come in a number of different configurations and form-factors. FIGS. 1-13C herein illustrate configurations suitable  
25 for a “top-down” implementation, where the image illumination is directed into the light guide from the top edge of the light guide. It should be noted, however, that the invention is equally applicable to implementations in which the image illumination is introduced from a side, or from a corner, of the light guide. One such implementation will be discussed below with reference to FIGS. 14A-14C.

In the example illustrated in FIG. 1, mounting of the optical module **12** is achieved via  
30 two mounting regions **24** which are located on opposite sides of the collimating display source **14**, and are thus disposed bilaterally relative to the coupling-out region **18** of the optical module. Spacing apart of the mounting regions in this manner tends to increase the precision of the alignment of the components.

Each mounting region **24** defines a reference location formed with complementary features for alignment with a corresponding set of alignment features on optical bench **22**. In the preferred example illustrated here, each set of alignment features of optical bench **22** includes at least one, and in this case two, planar alignment surfaces **26** and at least two locating features for locating known reference locations of optical module **12** relative to planar alignment surfaces **26**. The at least two locating features are illustrated here as an alignment aperture **28** for receiving an alignment pin **30** which projects from a planar alignment surface of mounting region **24** of the optical module. Clearly, an equivalent effect could be achieved by providing an alignment pin projecting from alignment surface **26** and an alignment aperture in the planar surface of region **24**, or two alignment apertures with a separate pin which engages both. Optical bench **22** is also provided with a bolt hole **32**, typically also in the area of alignment surface **26**, for receiving a bolt for tightening each of the optical modules against each corresponding planar alignment surface. Optical module **12** preferably has corresponding threaded bolt holes **34** so that, when the mounting regions **24** of optical module **12** are brought together with planar alignment surfaces **26** of optical bench **22**, with alignment pins **30** engaged in alignment apertures **28**, a pair of bolts **36** can be used to tighten the elements together, as illustrated in FIGS. 4, 5 and 7B.

It will be appreciated that the alignment features described thus far are effective to affix each optical module **12** to optical bench **22** with accurately defined orientation in 6 degrees of freedom (three linear/translational and three angular/rotational). Specifically, tightening of planar surface against a planar surface (surfaces **24** and **26**) is sufficient to define two rotational orientations and one translational degree of freedom (perpendicular to the plane). Engagement of a first alignment pin with an alignment aperture then excludes two in-plane translational degrees of freedom, leaving only uncertainty regarding rotation about the pin as an axis. Engagement of a second alignment pin with an alignment aperture, spaced from the first engagement, thus fully defines the alignment in all 6 degrees of freedom. In order to reduce the need for highly precise spacing between the alignment apertures, the second alignment aperture may advantageously be implemented as an oval aperture or slot elongated in a direction towards/away from the first alignment aperture, which is still sufficient to fully determine the in-plane rotational orientation of the overall engagement.

Surfaces **24** and **26** are preferably accurate interface surfaces, which may be specially processed during manufacture to achieve an enhanced level of precision compared to other regions of these elements, for example, by employing a machining or grinding process to achieve high precision planar surfaces. By providing planar surfaces in two spaced-apart locations for each optical module, highly precise alignment precision can be achieved. It should be noted that

the particular implementation of alignment features described here is merely exemplary, and that various configurations of alignment features may equally be used. Other examples include various combinations of alignment surfaces with ridges, slots or edge abutment features which align the optical modules by abutment with corresponding features on the optical module mounting regions **24**.

The two planar alignment surfaces **26** for aligning each optical module **12** are preferably coplanar. The surfaces for aligning one optical module may also be coplanar with the surfaces for aligning the other optical module, in which case the optical axes of the two displays may either be parallel or a slight convergence may be introduced either digitally or in the alignment of the optical components. However, in certain particularly preferred implementations, the alignment surfaces **26** for aligning the right optical module **12** are inclined relative to the alignment surfaces for aligning the left optical module to define an angle of binocular convergence. For example, in one particularly preferred implementation, the alignment surfaces for each optical module are inclined by 0.45 degrees to a reference plane to give an angle of 179.1 degrees between the alignment surfaces, corresponding to binocular convergence at about 4 meters from the user. The extent of binocular convergence desired may vary according to the intended application, typically corresponding to the real-world working range onto which the augmented reality display is to be superimposed. For example, outdoor applications may employ a more distant point of convergence, typically in the 6-10 meter range, while AR-assisted surgical applications may employ a shorter convergence geometry, typically in the 0.4-1 meter range. (It is noted that the convergence distance is also a function of the inter-pupillary distance (IPD), as defined by simple trigonometry, with the ratio of half of the IPD to the convergence length equal to the tangent of the inclination angle of each optical module to the reference plane. However, for the purpose of determining a desired inclination angle, an average value for IPD gives sufficient accuracy.)

Turning now to other features of optical bench **22**, the optical bench may advantageously be formed as a unitary block of material, which tends to enhance its rigidity and structural strength for a given weight. Suitable materials for optical bench **22** include, but are not limited to, various metals or metal alloys, such as aluminum, and fiber-reinforced polymers such as carbon composite materials. The design and dimensions of the optical bench, as well as the relevant manufacturing processes, will be adjusted according to the properties of the chosen material, as will be clear to a person having ordinary skill in the art.

The structure and material are chosen in order to provide a substantially rigid interconnection between the optical modules **12**. In this context, “substantially rigid” is used to

refer to a structure which maintains alignment of the optical modules over a range of mechanical operating conditions to which a body-mounted device is normally exposed, which includes the linear and angular accelerations performed by the human head and/or body during movement, and bearing in mind the weight of the modules themselves. As best seen in FIGS. 12A and 12B, optical bench **22** may also be required to support a number of different components for which accurate alignment with the optical modules is critical and/or for which close proximity to the optical modules is advantageous. In the example of FIGS. 12A-12B, this includes a camera assembly **40** including a stereo pair of cameras **42**, an IMU **44**, and driver circuitry **46** for the optical modules **12**. Each of these elements is typically provided with a dedicated attachment configuration in the structure of optical bench, such as a front bracket **48** providing camera alignment features for mounting camera assembly **40** (which is here integrated with the IMU **44**) and top brackets **50** for attachment of driver circuitry **46**. The positioning and weight of these components impose further mechanical requirements on the design of optical bench **22**.

Certain structural features may be used to achieve enhanced rigidity of optical bench **22** for a given weight and choice of material. According to one preferred option, optical bench **22** employs at least one closed-loop structure, and most preferably a first closed-loop frame for rigidly supporting the right optical module and a second closed-loop frame for rigidly supporting the left optical module, as seen in FIGS. 3A-5.

In the case of such a closed-loop structure, certain implementations of the present invention achieve enhanced multi-axis stiffness by using cross-beams with asymmetric stiffness, where the directions of maximal stiffness are non-parallel. This option is best illustrated in FIG. 6, where the vertical cross-sectional view cuts through the two cross-beams of one of the closed loops (the shaded areas). Each cross-beam has a cross-section which has a long axis and a short axis, in this case, the long side and the short side of a rectangular cross-section. The long axis of the lower cross-beam is significantly non-parallel (more than  $45^\circ$ ), and preferably roughly perpendicular ( $90^\circ \pm 15^\circ$ ) to the long axis of the upper cross-beam cross-section, thereby providing enhanced resistance to bending moments in different directions.

Although the illustrated closed-loop configuration for optical bench **22** is believed to be advantageous for a range of implementations, it should be noted that the invention is not limited to such implementations, and that, particularly where fewer additional components need to be mounted on the bench, a reduced implementation may be sufficient. FIGS. 13A-13C illustrate a reduced version of optical bench **22** used to support a pair of optical modules **12** according to an alternative implementation of the present invention. The details of the optical bench design may

be varied for each particular application according to the specific combination of components to be supported and the available space according to the desired form factor of the final device.

Turning now to FIGS. 7A-7B and 8, according to certain preferred implementations of the present invention, the attachment position of optical modules **12** to optical bench **22** may be adjustable to accommodate different interpupillary distances (IPD). It will be noted that the AR displays of the present invention are typically insensitive to variations in IPD, so long as the eye motion box of the user does not take the field of view of the user outside the coupling-out region **18** from which the display image illumination is projected. However, adjustability of the IPD may allow the use of a relatively smaller coupling-out region, and consequently a reduced overall size of the projection system.

One particularly preferred option for adjusting IPD is illustrated in FIG. 7A, where alignment aperture **28** and bolt hole **32** are formed as slots elongated in the horizontal direction. This relaxes one degree of freedom for horizontal translation of the optical module over a predefined range of motion. The image projection of optical module **12** is generally insensitive to in-plane translation without rotation, so long as the limits of the display area are not reached, so this adjustment does not impact the display. A range of a few millimeters in either direction for each of the two eyes is typically enough to adjust an IPD between the (centers of) the coupling out regions **18**, to accommodate IPD variations for a majority of the population, and allows a corresponding reduction in the size of the coupling-out region **18**. Optionally, the horizontal position of each optical module may be fixed, as before, by tightening of bolts **36** which clamp the modules in place by frictional contact. More preferably, spring washers, or some other resilient element, may be provided to provide frictional retention of the position of each optical module, but allowing lateral displacement of the optical module by the user simply by applying gentle manual force to overcome the frictional retention. The alignment features of the optical bench reliably maintain the desired alignment of the optical modules in angular orientation about all axes and in two linear dimensions, thereby accommodating convenient IPD adjustment without requiring complex displacement mechanisms. As illustrated in FIG. 8, any parts of support structure **20** that are adjacent to any part of the optical modules are implemented with sufficient clearance to accommodate the available range of adjustment for the optical module position.

Turning now to the suspension arrangement for suspending optical bench **22** relative to support structure **20**, this may take many different forms according to the details of the particular application and the form-factor of the support structure. In one subset of particularly preferred implementations, the suspension arrangement connects to the optical bench only within a central

region of the width, defined as within a central 20 percent, of the overall width of the assembly of optical bench **22** with optical modules **12**. Most preferably, the connection is limited to within the central 10 percent of the overall width, which can be achieved, for example, by attaching optical bench **22** to the support structure only via a central attachment surface **52** (FIG. 12A).

5 Attachment may be rigid, but is more preferably via at least one elastomeric damping element deployed to inhibit (attenuate) transmission of vibrations from the support structure to optical bench **22**. By supporting optical bench **22** only in a central region, transfer of stress from the support structure to the optical bench is substantially eliminated, allowing the support structure to bend, twist and/or undergo thermal expansion or contraction without introducing  
10 corresponding deformations or stresses to the optical assembly.

In other implementations, a more sophisticated suspension arrangement may be provided which maintains alignment of optical bench **22** relative to support structure **20** while more effectively attenuating vibrations between the elements. An example of such a suspension arrangement is illustrated with reference to FIGS. 9A-11B.

15 Referring first to FIG. 9A, the support structure (not shown) is here provided with two side brackets **54** terminating at apertures **56** within which elastomeric grommets **58** are positioned. A bolt **60** and washer **62** pass through a central bore of each grommet **58** and engage a threaded aperture **64** on each side of optical bench **22**. The assembled connection is illustrated in cross-section in FIG. 9B. This bilateral attachment to side brackets **54** suspends optical bench  
20 **22** in a well-defined position relative to five out of the six degrees of freedom illustrated in FIG. 11A, namely, three axes of linear displacement and two axes of rotation. This leaves only the rotation axis labeled "6" in FIG. 11A, corresponding to rotation about the common axis of bolts **60**. This last degree of rotational freedom is cancelled by a damping connector **66** which is attached off-axis relative to bolts **60** near the center of the optical bench, and is connected via  
25 another bracket (not shown) to the support structure, thereby forming a damped connection between optical bench **22** and the support structure. This geometry is best seen in FIG. 11B. It is a particular feature of certain implementations of the present invention that threaded apertures **56** are located so that the assembly of optical bench **22** with the other components that are mounted thereon has a center of mass that lies substantially on an axis between threaded apertures **56**.  
30 This ensures that any impact or vibration transferred to the assembly via this support structure does not give rise to a net moment, which could lead to further oscillatory motion.

Although the above suspension arrangement provides support for the optical bench in three spaced-apart locations, each interconnection occurs through an elastomeric damping element which has the ability to attenuate impacts and vibrations, and to deform under conditions

of stress (such as through differentials in thermal expansion coefficients) so as to avoid conveying significant stress to the optical bench. The elastomeric elements also contribute to thermal isolation of the optical bench and associated optical components.

5 In certain particularly preferred implementations of the present invention, support structure **20** includes a casing **68** at least partially enclosing optical bench **22**, as best seen in FIG. 10. In this case, casing **68** is preferably spaced from optical bench **22** and from optical modules **12** by a minimum gap **70** so as to avoid contact between the casing and both the optical bench and the pair of optical modules under a range of normal operating conditions. The “range of normal operating conditions” in this context relates to conditions of vibration, mechanical  
10 stress, and operating temperature range over which the product is typically required to operate, as defined by various standards and as known in the art. Primarily, the gap should be sufficient that, if the device is dropped from a height of up to at least 1 meter onto a hard surface, the gap is not closed, and the impulse of the impact is conveyed to the optical bench only through the elastomeric damping elements.

15 As illustrated herein, the option of a casing which at least partially encloses the optical bench and various electronic and/or optical components of the device may advantageously be implemented in a “top-down” design, where the image illumination is introduced at the top of the light guide **16** and propagates downwards within the light guide. In this case, at least part of the waveguides **16** of optical modules **12** preferably project downwards from casing **68**, as seen  
20 in FIGS. 1 and 8.

As mentioned above, optical bench **22** preferably provides the sole mechanical connection between the pair of optical modules **12** and support structure **20**. In this context, the phrase “mechanical connection” is used to refer to any connection between two elements which is intended to bear load and convey forces between the elements. It will be noted that there are  
25 typically various flexible electrical cables which pass between the support structure and the optical modules, providing power and video signals etc. Although these flexible cables may convey some small force between the elements, any such forces are unintended, intentionally minimized, and are negligible compared to the mechanical connections which support the structures. As such, the term “sole mechanical connection” does not exclude such  
30 interconnections that are not intended to be load bearing.

Support structure **20** may be implemented in a wide range of configurations corresponding to different “form factors” of the device. In one non-limiting option, as illustrated in FIG. 1, support structure **20** includes a headband **72**, preferably adjustable, for encircling the head of the user. This provides a stable platform for the device, and is particularly suitable for

use in situations where the user is highly active while using the device. A similar configuration can be implemented as a helmet-mounted display where support structure **20** is integrated with a helmet.

5 An alternative “form factor” employs a glass-frame type device, in which support structure **20** includes a pair of side arms deployed for engaging ears of the user (not shown). In this case, a third point of support, for engaging the user’s nose, may extend downwards either from the support structure **20** or, in some cases, directly from the optical bench **22**. Although in most implementations of the present invention, it is considered preferably that the optical bench does not directly interface with the user’s body, one region of central support, particularly when  
10 implemented as a resilient or padded bridge for engaging the nose, may be acceptable in certain implementations.

Turning finally to FIGS. 14A-14C, although the invention has been illustrated thus far with reference to a top-down optical module implementation, it can equally be implemented using other configurations which, in some cases, may provide additional advantages. By way of  
15 example, FIGS. 14A and 14B illustrate an optical bench **22** implemented as a central block for linking between two light guides **16**, as seen in FIG. 14C, for a side-injected image implementation, where the collimating display source (not shown) is located at the lateral edge of each light guide. This implementation also illustrates an alternative implementation of the alignment features for aligning and affixing each optical module. In this case, an alignment  
20 surface **26** is provided for abutment directly to a surface of the light guide **16**, and lateral abutment features **74**, here implemented as localized projections. The use of three lateral abutment features abutting a non-linear and non-circular edge of light guide **16** is sufficient to define a unique position and alignment of the light guide relative to the optical bench. Attachment of light guide **16** to the optical bench **22** is here preferably achieved by use of  
25 adhesive, in a thin layer between the light guide and alignment surface **26** and/or in a space between the light guide and the optical bench between and/or around the lateral abutment features. The use of adhesive is not limited to this embodiment, and may also be implemented in the context of the other embodiments described above.

It will be appreciated that the above descriptions are intended only to serve as examples,  
30 and that many other embodiments are possible within the scope of the present invention as defined in the appended claims.

## WHAT IS CLAIMED IS:

1. A head-mounted augmented reality device for displaying an augmented reality display to a user viewing a real scene, the device comprising:

- 5 (a) a pair of optical modules including a right optical module for a right eye of the user and a left optical module of a left eye of the user, each of said optical modules comprising a collimating display source optically coupled to a light guide, said light guide being at least partially transparent and being configured to guide image illumination projected by said collimating display source to a coupling-out region, and to couple out at least some of said image illumination  
10 from said coupling-out region towards an eye of the user;
- (b) a support structure configured to engage a head of the user so as to be supported by the head of the user; and
- (c) an optical bench comprising:
- 15 (i) a first set of alignment features for aligning and affixing said right optical module,
- (ii) a second set of alignment features for aligning and affixing said left optical module, and
- (iii) a suspension arrangement for suspending said optical bench relative to said support structure,
- 20 wherein said optical bench provides the sole mechanical connection between said pair of optical modules and said support structure.

2. The device of claim 1, wherein each of said first and second sets of alignment features comprises at least one planar alignment surface and at least two locating features for locating known reference locations of said optical module relative to said at least one planar  
25 alignment surface.

3. The device of claim 2, wherein said at least two locating features are selected from the group consisting of: a pin for engaging an alignment aperture of said optical module, and an alignment aperture for receiving a pin.

4. The device of claim 3, wherein said optical bench is further provided with a bolt hole for receiving a bolt for tightening each of said optical modules against each corresponding planar alignment surface.

5 5. The device of claim 2, wherein said at least two locating features are configured to provide one degree of freedom for adjustment of an interpupillary distance between said coupling-out regions of said optical modules.

6. The device of claim 2, wherein said at least one planar alignment surface for aligning said right optical module and said at least one planar alignment surface for aligning said left optical module are inclined relative to each other to define an angle of binocular convergence.

10 7. The device of claim 2, wherein each of said first and second sets of alignment features comprises two planar alignment surfaces disposed bilaterally relative to said coupling-out region of a corresponding one of said optical modules.

8. The device of claim 1, wherein said optical bench is formed as a unitary block of material.

15 9. The device of claim 1, wherein said optical bench comprises a first closed-loop frame for rigidly supporting said right optical module and a second closed-loop frame for rigidly supporting said left optical module.

20 10. The device of claim 1, wherein said optical bench further comprises camera alignment features for aligning at least one imaging device relative to said pair of optical modules.

11. The device of claim 1, wherein said suspension arrangement comprises at least one elastomeric damping element deployed to inhibit passing of vibrations from said support structure to said optical bench.

12. The device of claim 1, wherein said optical bench and said pair of optical modules together have an overall width, and wherein said suspension arrangement connects to said optical bench only within a central region of said width.

5 13. The device of claim 1, wherein said support structure comprises a casing at least partially enclosing said optical bench, wherein said casing is spaced from said optical bench and from said pair of optical modules so as to avoid contact between said casing and both said optical bench and said pair of optical modules under a range of normal operating conditions.

14. The device of claim 13, wherein at least part of said waveguides project downwards from said casing.

10 15. The device of claim 1, wherein said support structure comprises a headband for encircling the head of the user.

16. The device of claim 1, wherein said support structure has a pair of side arms deployed for engaging ears of the user.

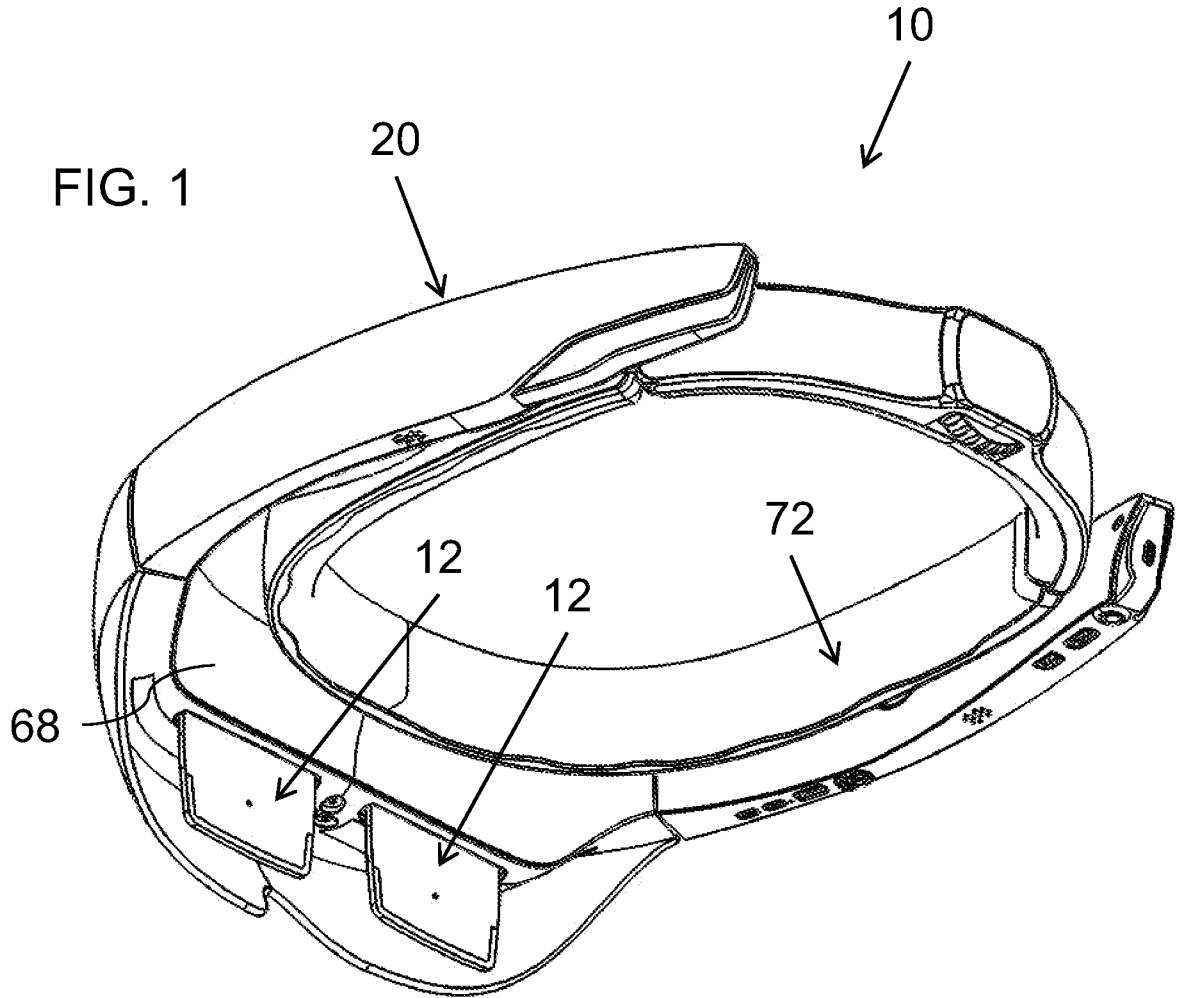


FIG. 2

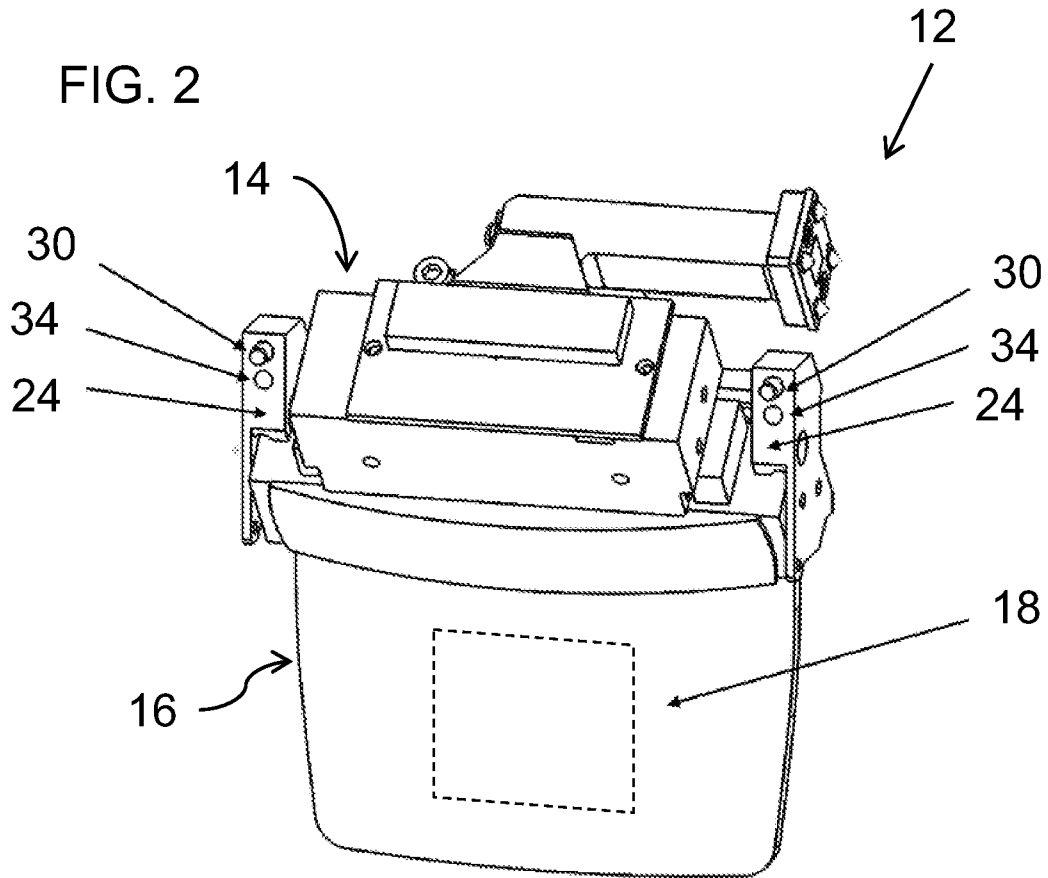


FIG. 3A

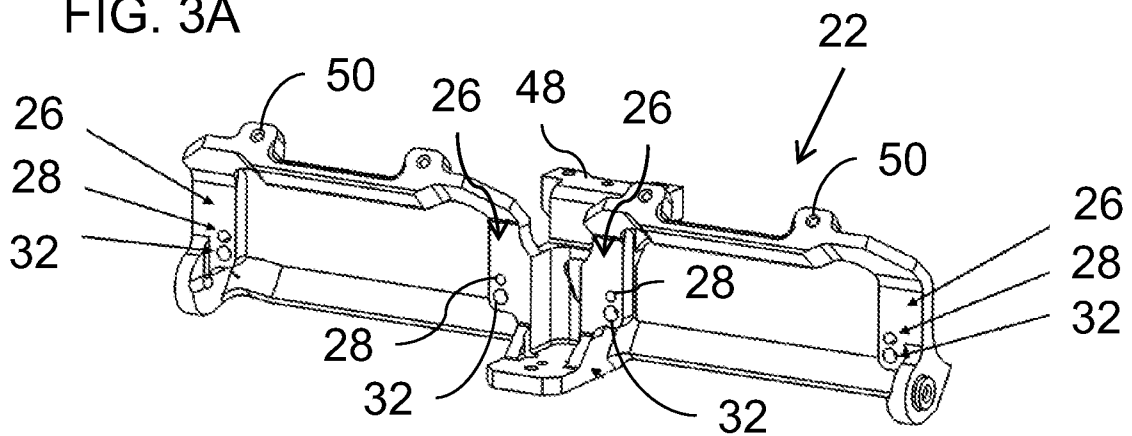


FIG. 3B

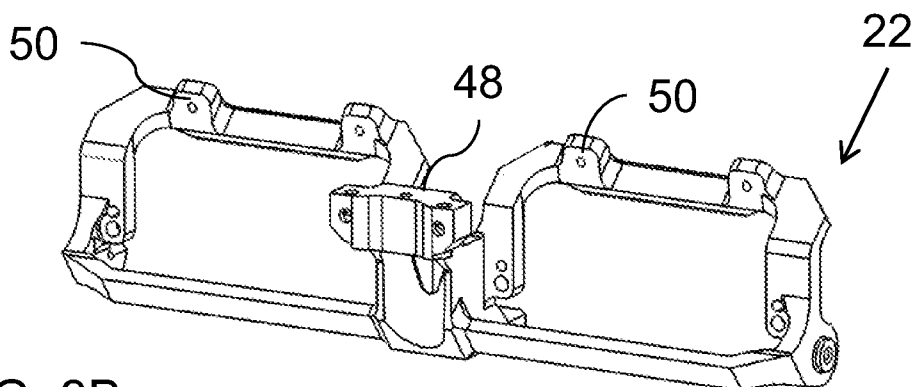


FIG. 4A

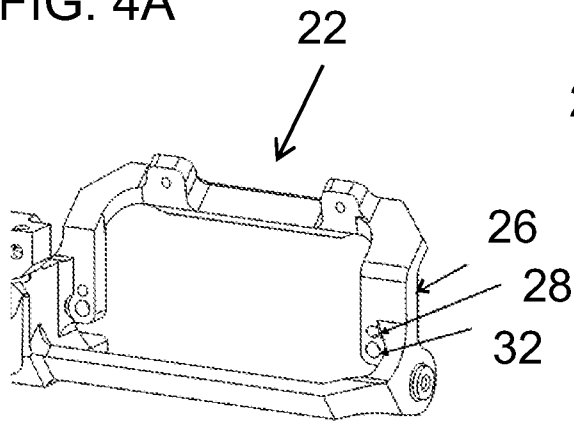


FIG. 4B

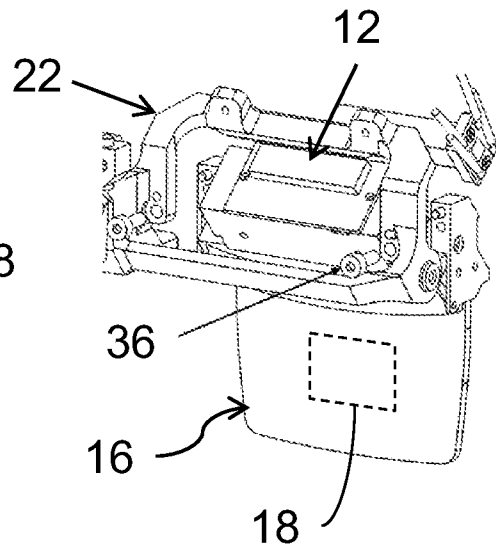


FIG. 4C

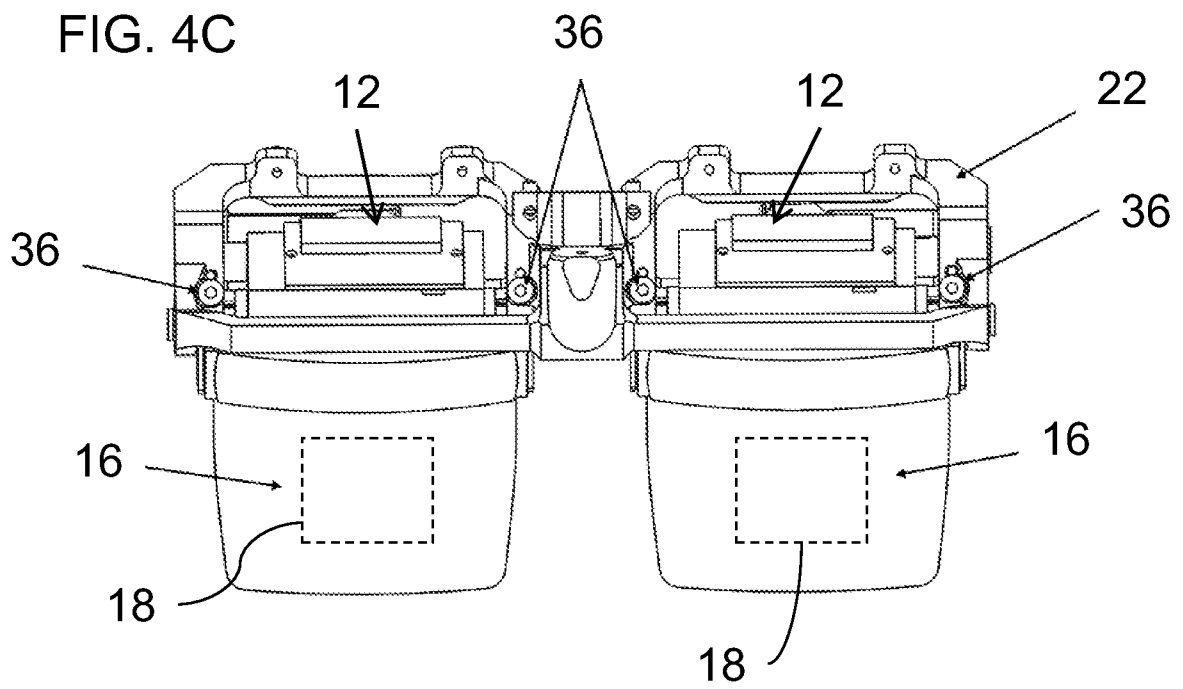


FIG. 5

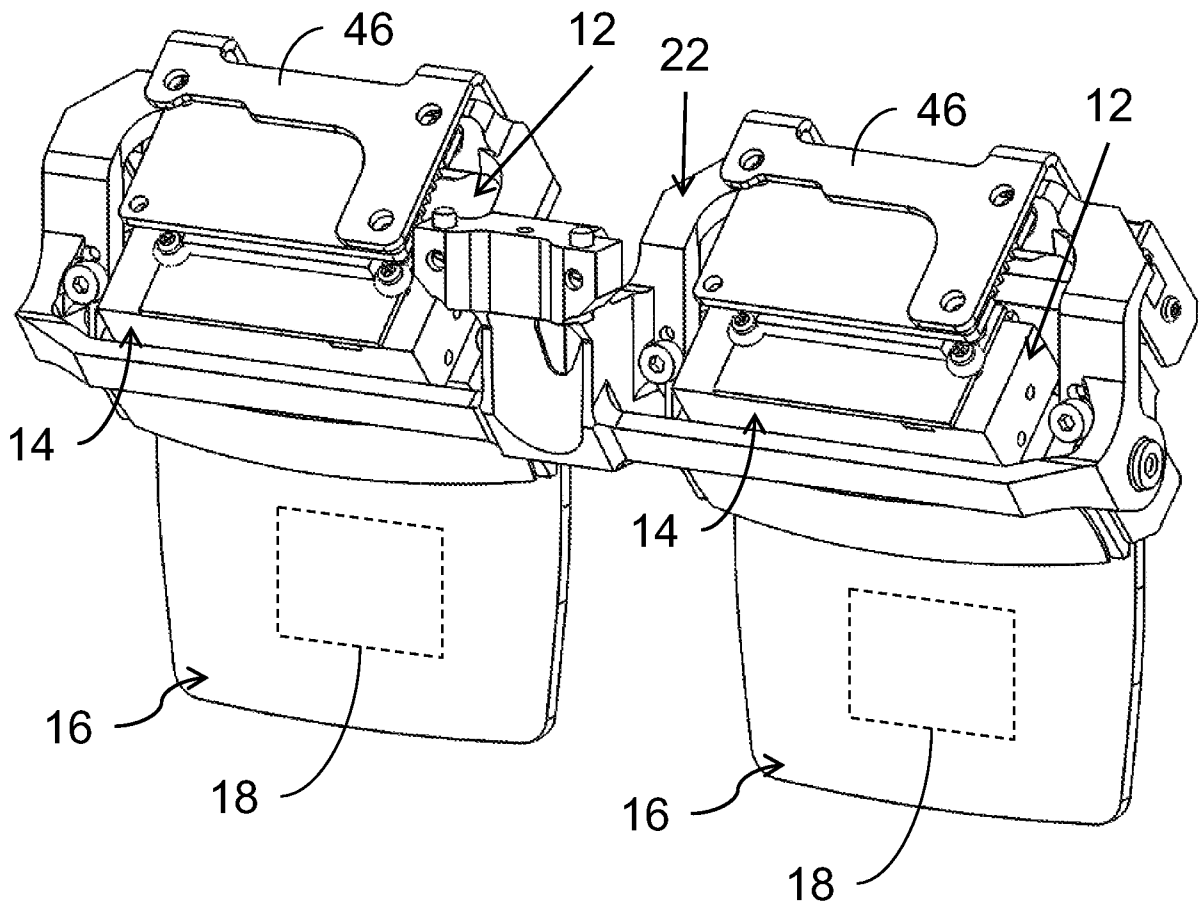


FIG. 6

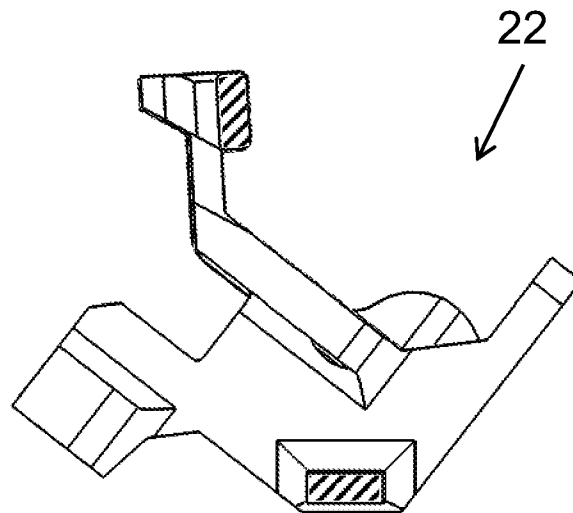


FIG. 7A

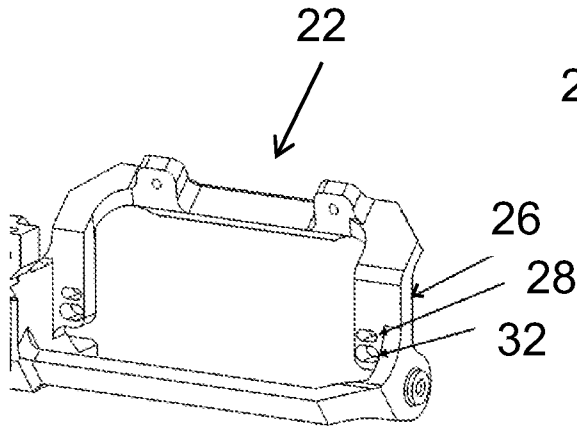


FIG. 7B

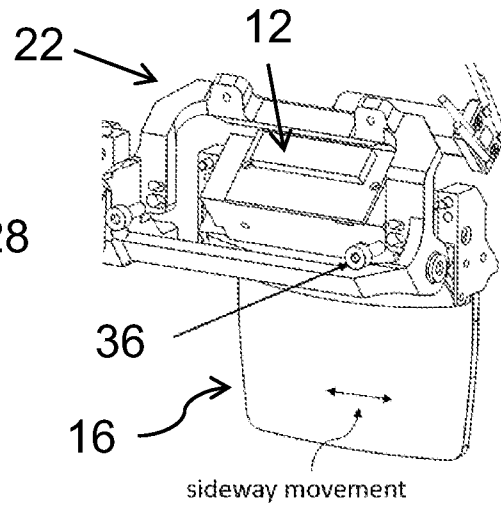


FIG. 8

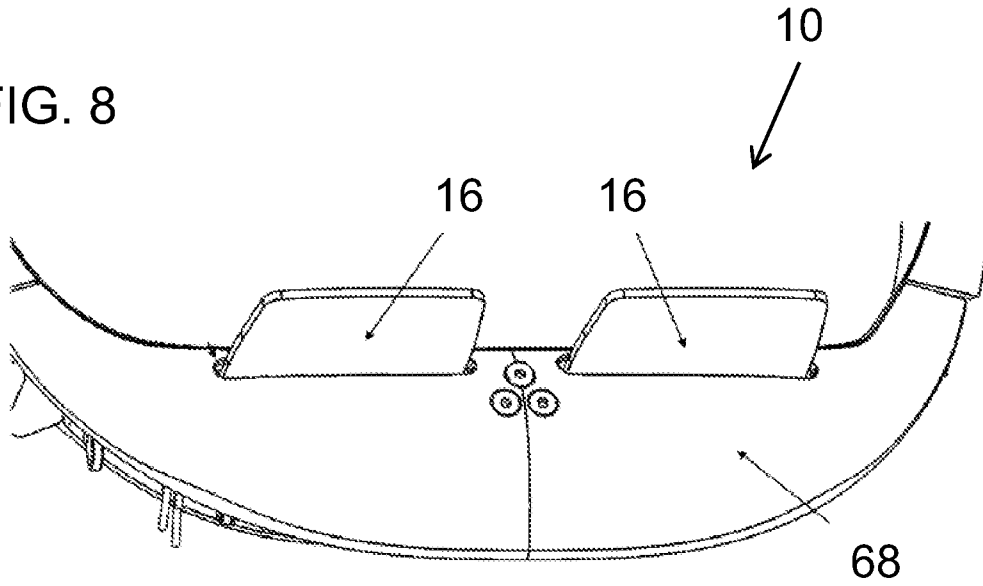


FIG. 9A

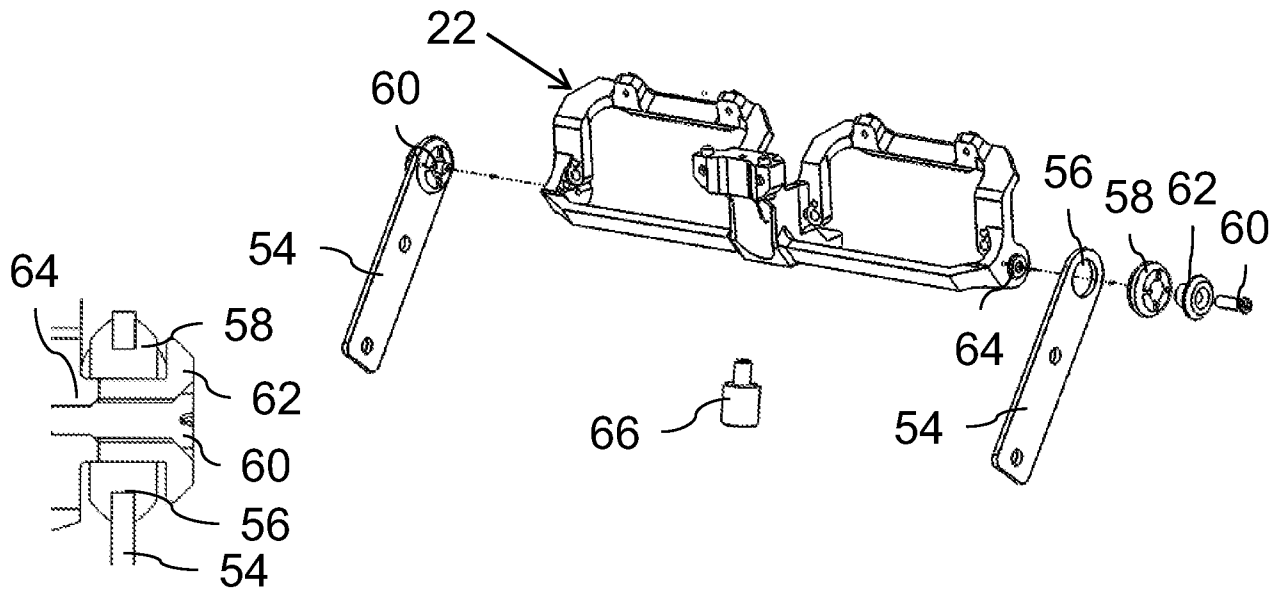


FIG. 9B

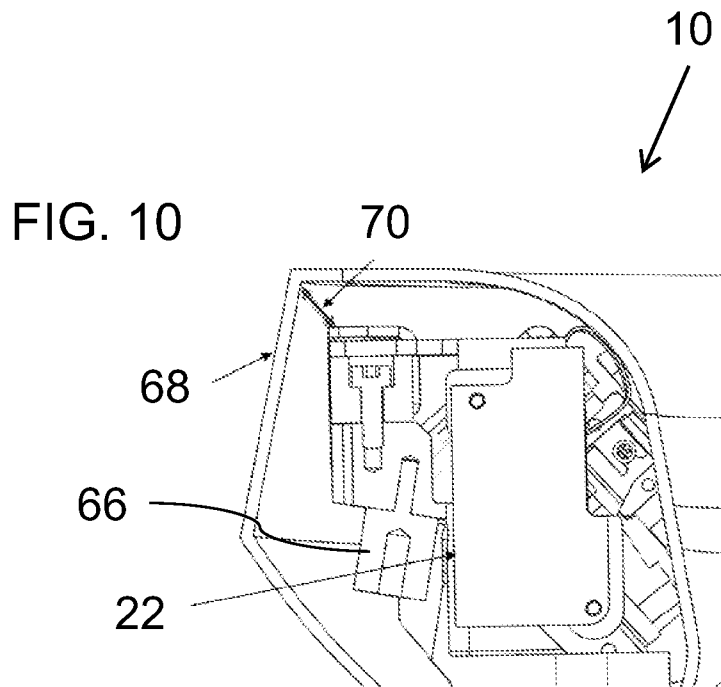


FIG. 11A

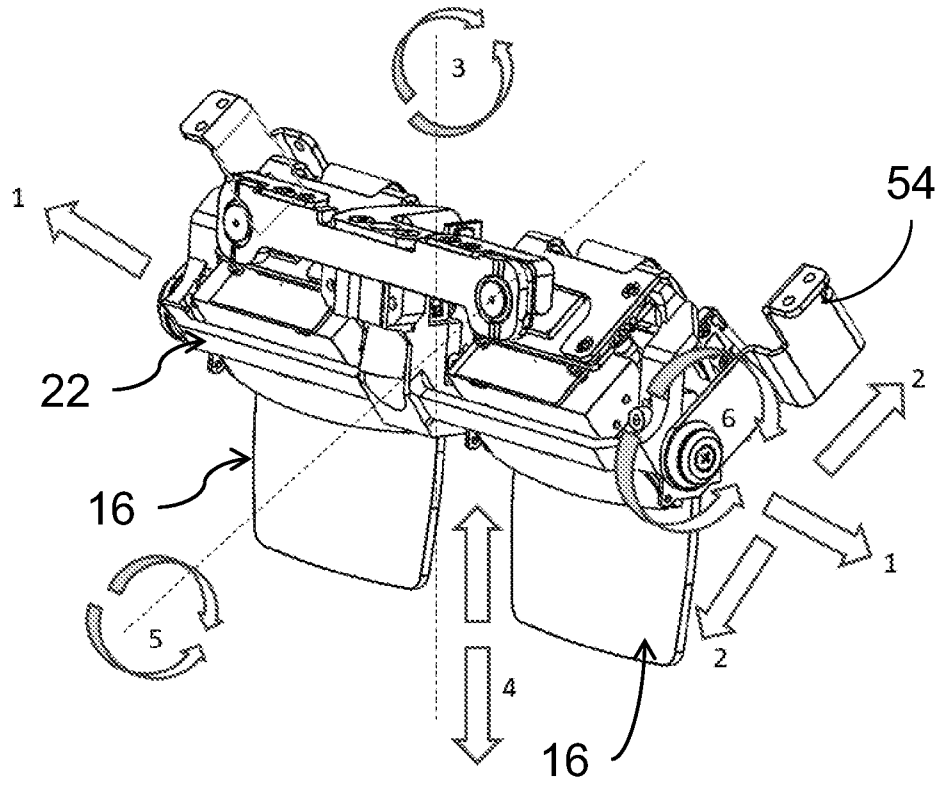


FIG. 11B

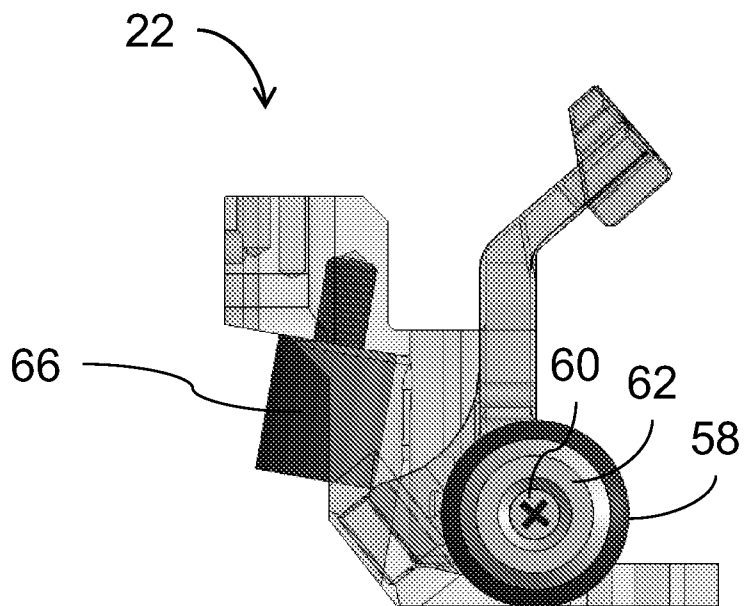


FIG. 12A

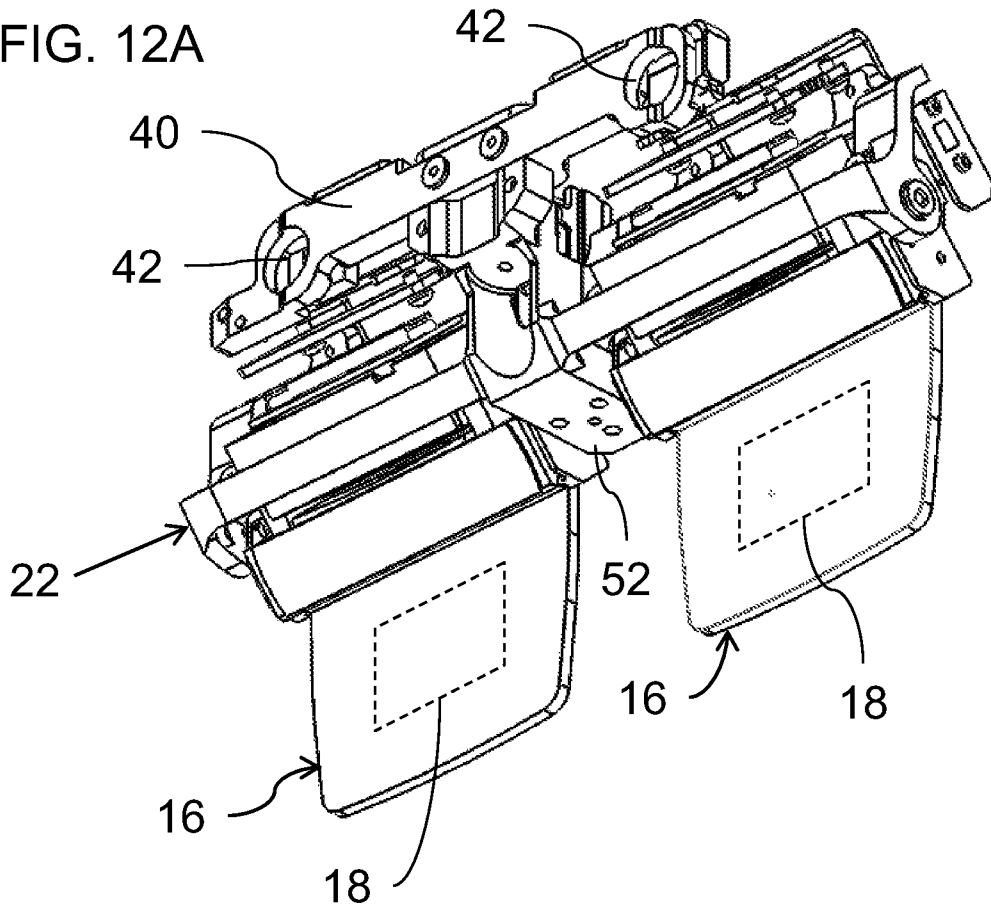


FIG. 12B

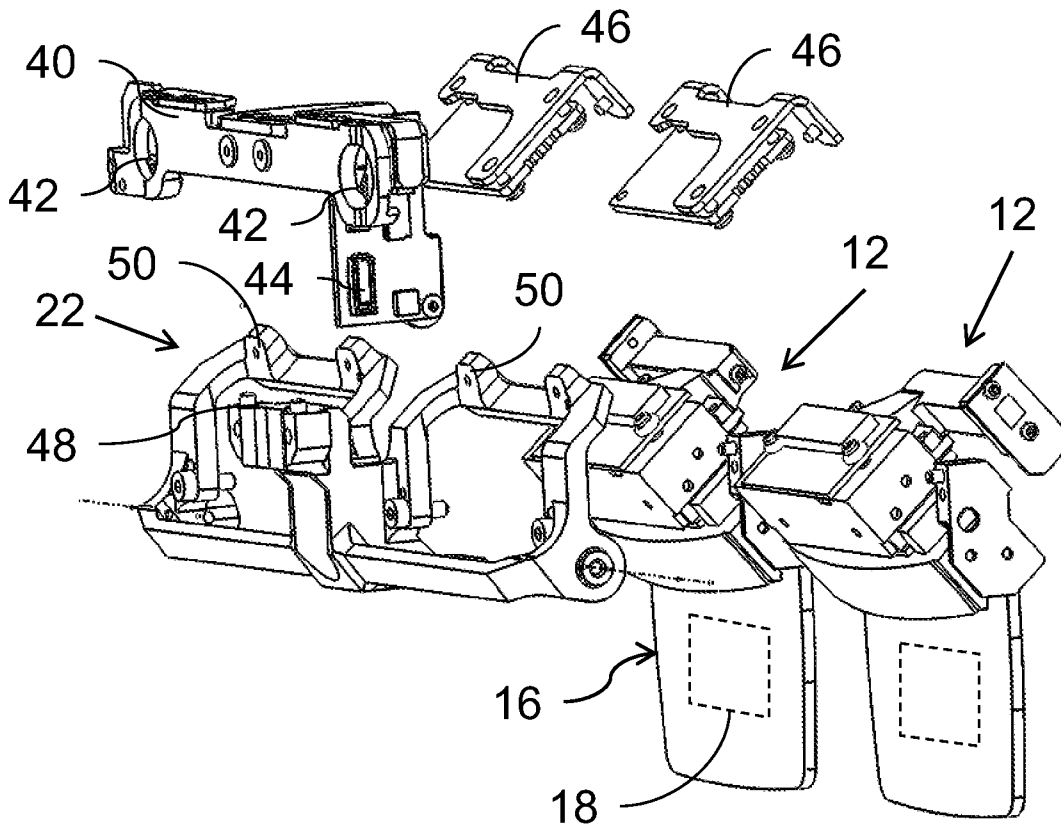


FIG. 13A

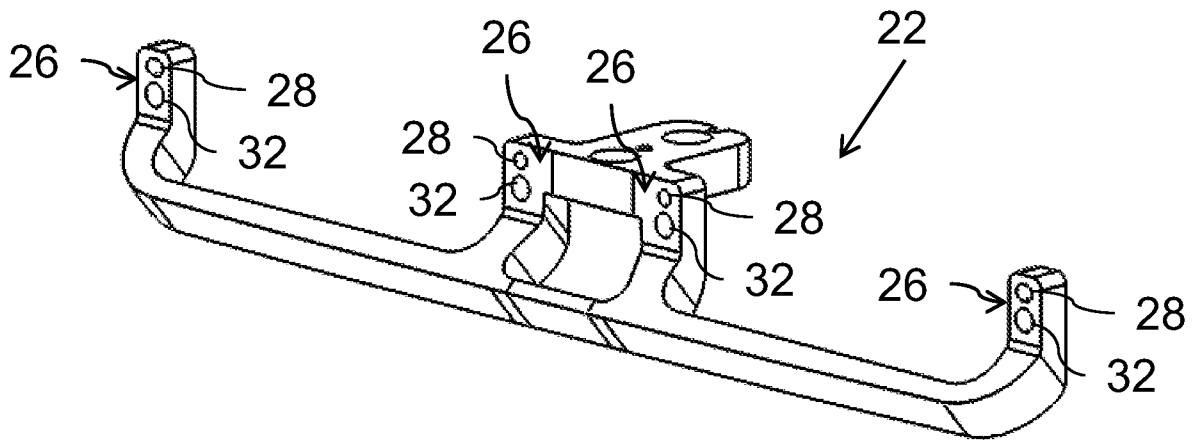


FIG. 13B

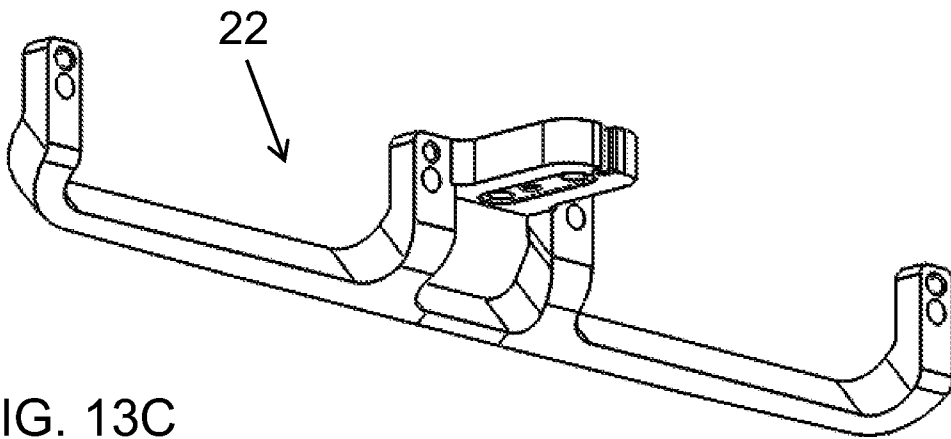
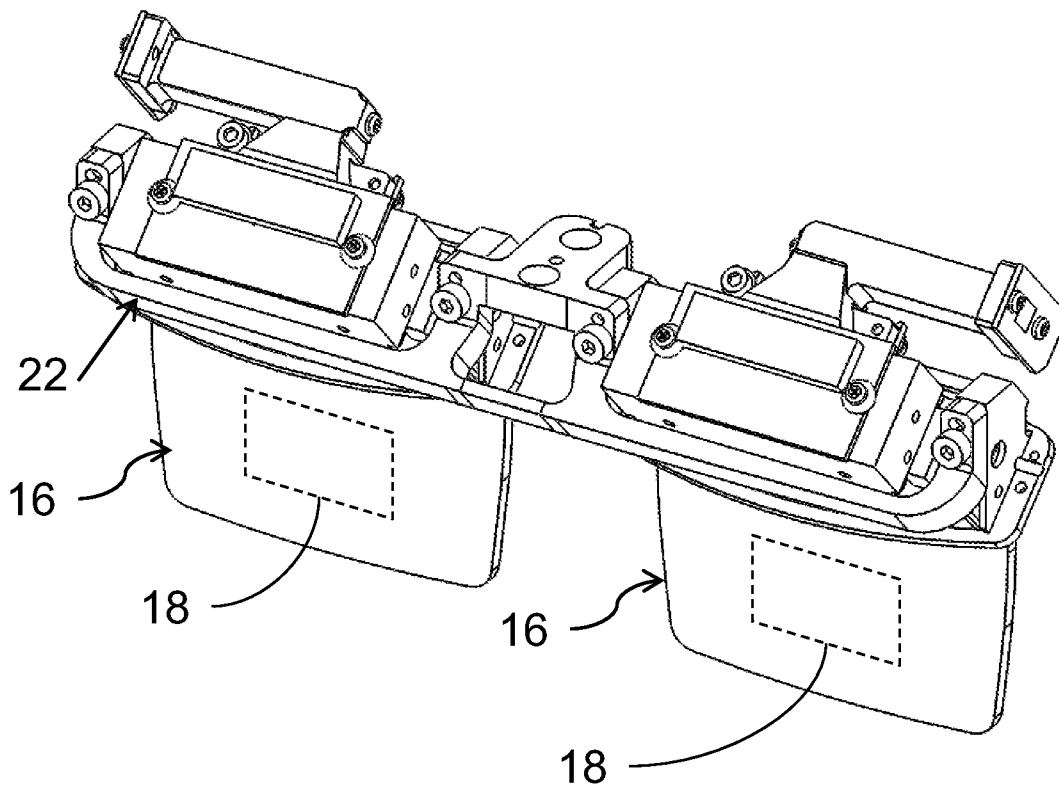
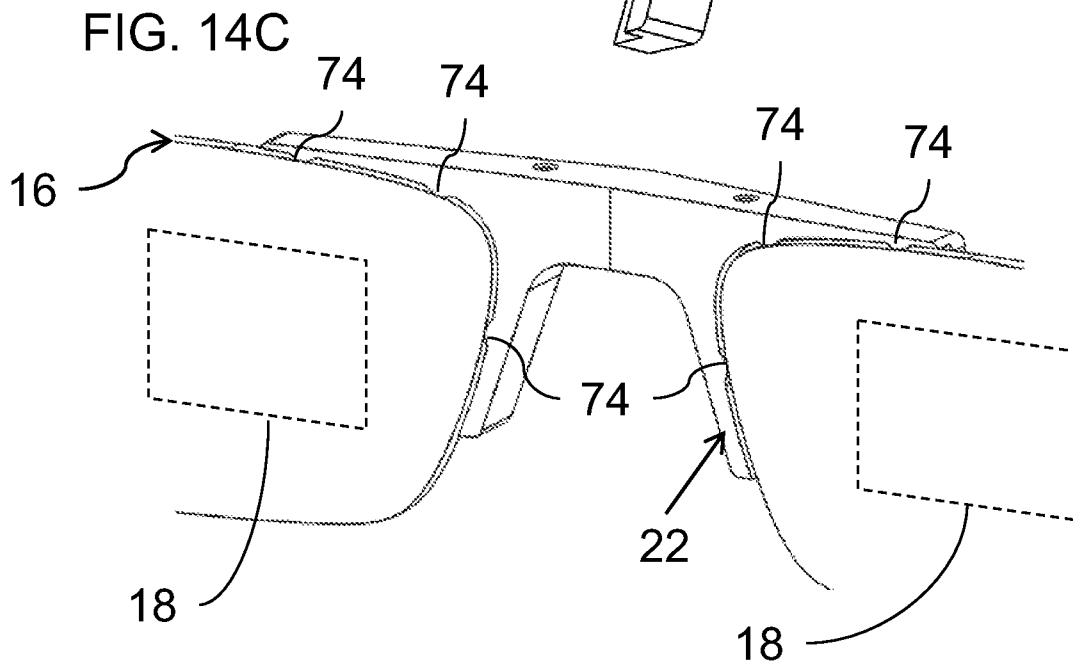
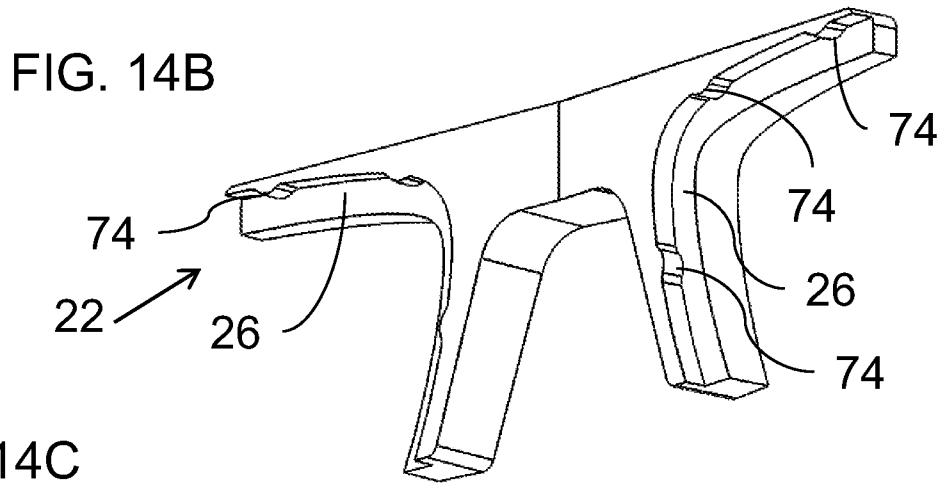
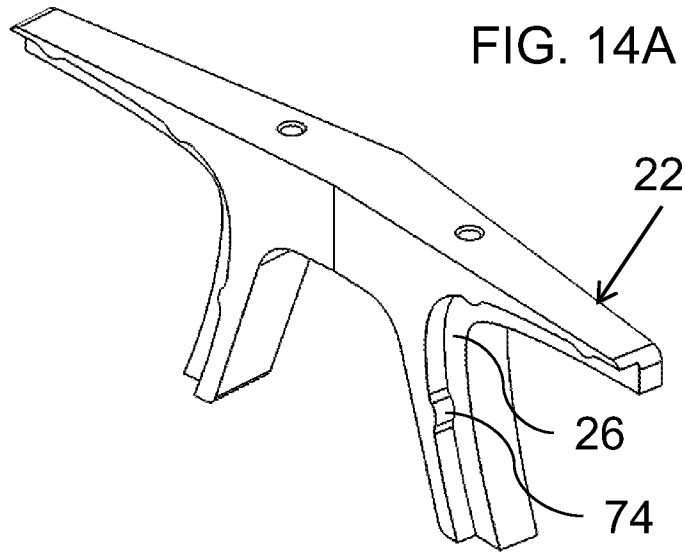


FIG. 13C





## INTERNATIONAL SEARCH REPORT

International application No.

PCT/IL2018/051127

A. CLASSIFICATION OF SUBJECT MATTER IPC (2019.01) G02B 27/00, G02B 27/01, G02B 27/10		
According to International Patent Classification (IPC) or to both national classification and IPC		
B. FIELDS SEARCHED		
Minimum documentation searched (classification system followed by classification symbols) IPC (2019.01) G02B 27/00, G02B 27/01, G02B 27/10		
Documentation searched other than minimum documentation to the extent that such documents are included in the fields searched		
Electronic data base consulted during the international search (name of data base and, where practicable, search terms used) Databases consulted: Esp@cenet, Google Patents, Orbit		
C. DOCUMENTS CONSIDERED TO BE RELEVANT		
Category*	Citation of document, with indication, where appropriate, of the relevant passages	Relevant to claim No.
Y	US 2015355481 A1 Esight Group 10 Dec 2015 (2015/12/10) the whole document	1,8-16
A	the whole document	2-7
A	US 2015260992 A1 Google Inc. 17 Sep 2015 (2015/09/17) the whole document	2-16
Y	the whole reference	1
A	US 2015103306 A1 Magic Leap Inc. 16 Apr 2015 (2015/04/16) the whole document	1-16
<input type="checkbox"/> Further documents are listed in the continuation of Box C. <input checked="" type="checkbox"/> See patent family annex.		
* Special categories of cited documents: "A" document defining the general state of the art which is not considered to be of particular relevance "E" earlier application or patent but published on or after the international filing date "L" document which may throw doubts on priority claim(s) or which is cited to establish the publication date of another citation or other special reason (as specified) "O" document referring to an oral disclosure, use, exhibition or other means "P" document published prior to the international filing date but later than the priority date claimed "T" later document published after the international filing date or priority date and not in conflict with the application but cited to understand the principle or theory underlying the invention "X" document of particular relevance; the claimed invention cannot be considered novel or cannot be considered to involve an inventive step when the document is taken alone "Y" document of particular relevance; the claimed invention cannot be considered to involve an inventive step when the document is combined with one or more other such documents, such combination being obvious to a person skilled in the art "&" document member of the same patent family		
Date of the actual completion of the international search 27 Jan 2019		Date of mailing of the international search report 28 Jan 2019
Name and mailing address of the ISA: Israel Patent Office Technology Park, Bldg.5, Malcha, Jerusalem, 9695101, Israel Facsimile No. 972-2-5651616		Authorized officer Al-Muhannad Rafa  Telephone No. 972-2-5651751

**INTERNATIONAL SEARCH REPORT**  
Information on patent family members

International application No. PCT/IL2018/051127
--

Patent document cited search report	Publication date	Patent family member(s)	Publication Date
US 2015355481 A1	10 Dec 2015	US 2015355481 A1	10 Dec 2015
		AU 2013370897 A1	23 Jul 2015
		AU 2013370897 B2	30 Mar 2017
		AU 2017204508 A1	20 Jul 2017
		CA 2896891 A1	03 Jul 2014
		EP 2939065 A1	04 Nov 2015
		EP 2939065 A4	10 Aug 2016
		US 2017235161 A1	17 Aug 2017
		WO 2014100891 A1	03 Jul 2014
<hr/>			
US 2015103306 A1	16 Apr 2015	US 2015103306 A1	16 Apr 2015
		US 9470906 B2	18 Oct 2016
		AU 2014337171 B2	15 Nov 2018
		CA 2927818 A1	23 Apr 2015
		CN 105829953 A	03 Aug 2016
		EP 3058418 A1	24 Aug 2016
		EP 3058418 A4	07 Jun 2017
		IL 245161 D0	30 Jun 2016
		JP 2016536869 A	24 Nov 2016
		JP 2017224001 A	21 Dec 2017
		KR 20160072197 A	22 Jun 2016
		US 2016341967 A1	24 Nov 2016
		US 10073272 B2	11 Sep 2018
		US 2018196269 A1	12 Jul 2018
		WO 2015057994 A1	23 Apr 2015
<hr/>			
US 2015260992 A1	17 Sep 2015	US 2015260992 A1	17 Sep 2015
		US 9395544 B2	19 Jul 2016
<hr/>			