



US00D859788S

(12) **United States Design Patent**
Speciale et al.

(10) **Patent No.:** **US D859,788 S**

(45) **Date of Patent:** **** Sep. 17, 2019**

(54) **ENLARGED OVER-GARMENT WITH AN ELEVATED MARSUPIAL POCKET**

(71) Applicant: **Cozy Comfort Copmany LLC**, Cave Creek, AZ (US)

(72) Inventors: **Brian Speciale**, Cave Creek, AZ (US);
Michael Speciale, Cave Creek, AZ (US)

(**) Term: **15 Years**

(21) Appl. No.: **29/617,421**

(22) Filed: **Sep. 13, 2017**

(51) **LOC (12) Cl.** **02-02**

(52) **U.S. Cl.**

USPC **D2/828**

(58) **Field of Classification Search**

USPC D2/828, 839, 731, 742, 750, 724, 728,
D2/840, 847, 999, 771, 782, 791, 829,
D2/831, 857, 706-708, 732, 751-753,
D2/830, 832-838, 848, 853; D5/53, 55,
D5/59, 61; D29/101.3; 2/77, 84-86, 93,
2/108, 115; D3/285

CPC A41C 3/0057; A41C 3/08; A41C 3/12;
A41D 1/18; A41D 13/0007; A41D
13/0015; A41D 13/0017; A41D 3/00;
A41D 3/02; A41D 3/04

See application file for complete search history.

(56) **References Cited**

U.S. PATENT DOCUMENTS

3,837,006 A 9/1974 Laseman
D728,900 S * 5/2015 White D2/750
(Continued)

Primary Examiner — Wan Laymon

Assistant Examiner — Mark Booker

(74) *Attorney, Agent, or Firm* — Thomas W. Galvani,
P.C.; Thomas W. Galvani

(57) **CLAIM**

The ornamental design for an enlarged over-garment with an elevated marsupial pocket, as shown and described.

DESCRIPTION

FIG. 1 is a front elevation view of an enlarged over-garment with an elevated marsupial pocket shown in accordance with our new design, as worn by a person shown in broken line in a standing position;

FIG. 2 is a top perspective view of the enlarged over-garment with an elevated marsupial pocket shown in FIG. 1; FIG. 3 is a bottom perspective view of the enlarged over-garment with an elevated marsupial pocket shown in FIG. 1; FIG. 4 is a front elevation view of the enlarged over-garment with an elevated marsupial pocket shown in FIG. 1;

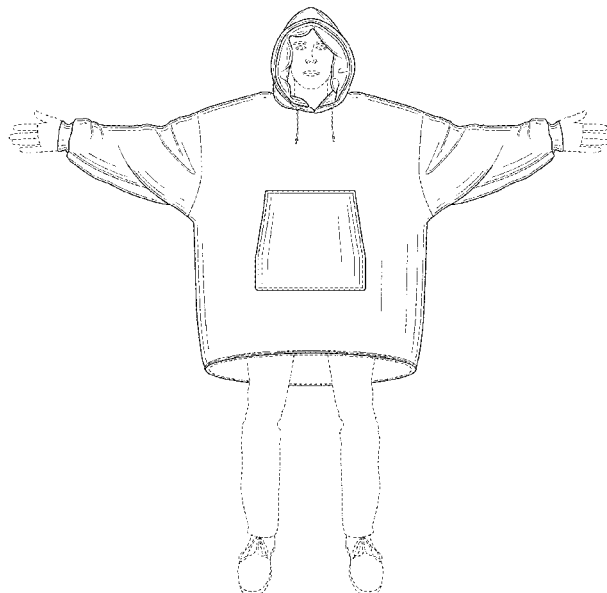
FIG. 5 is a rear elevation view of the enlarged over-garment with an elevated marsupial pocket shown in FIG. 1; FIG. 6 is a left side elevation view of the enlarged over-garment with an elevated marsupial pocket shown in FIG. 1; FIG. 7 is a right side elevation view of the enlarged over-garment with an elevated marsupial pocket shown in FIG. 1;

FIG. 8 is a top plan view of the enlarged over-garment with an elevated marsupial pocket shown in FIG. 1;

FIG. 9 is a bottom plan view of the enlarged over-garment with an elevated marsupial pocket shown in FIG. 1; and, FIG. 10 is a front perspective view of the enlarged over-garment with an elevated marsupial pocket shown in FIG. 1 as worn by a person, partially hidden, shown in broken line in a sitting fetal position.

The features shown in broken lines are for the purposes of showing environmental structure and form no part of the claimed design.

1 Claim, 8 Drawing Sheets



(56)

References Cited

U.S. PATENT DOCUMENTS

D770,136	S *	11/2016	Darmour	D2/828
D784,659	S *	4/2017	Darmour	D2/840
D785,906	S *	5/2017	Darmour	D2/731
D787,160	S *	5/2017	Crowe	D2/750
D790,809	S *	7/2017	Lomax	D2/828
D810,401	S *	2/2018	Darmour	D2/828
D810,402	S *	2/2018	Darmour	D2/828
D811,051	S *	2/2018	Darmour	D2/828
D820,560	S *	6/2018	Reynolds	D2/829
D827,249	S *	9/2018	Darmour	D2/728
2012/0005802	A1 *	1/2012	Claeys	A41D 27/20 2/84
2014/0317824	A1	10/2014	Browning et al.	

* cited by examiner

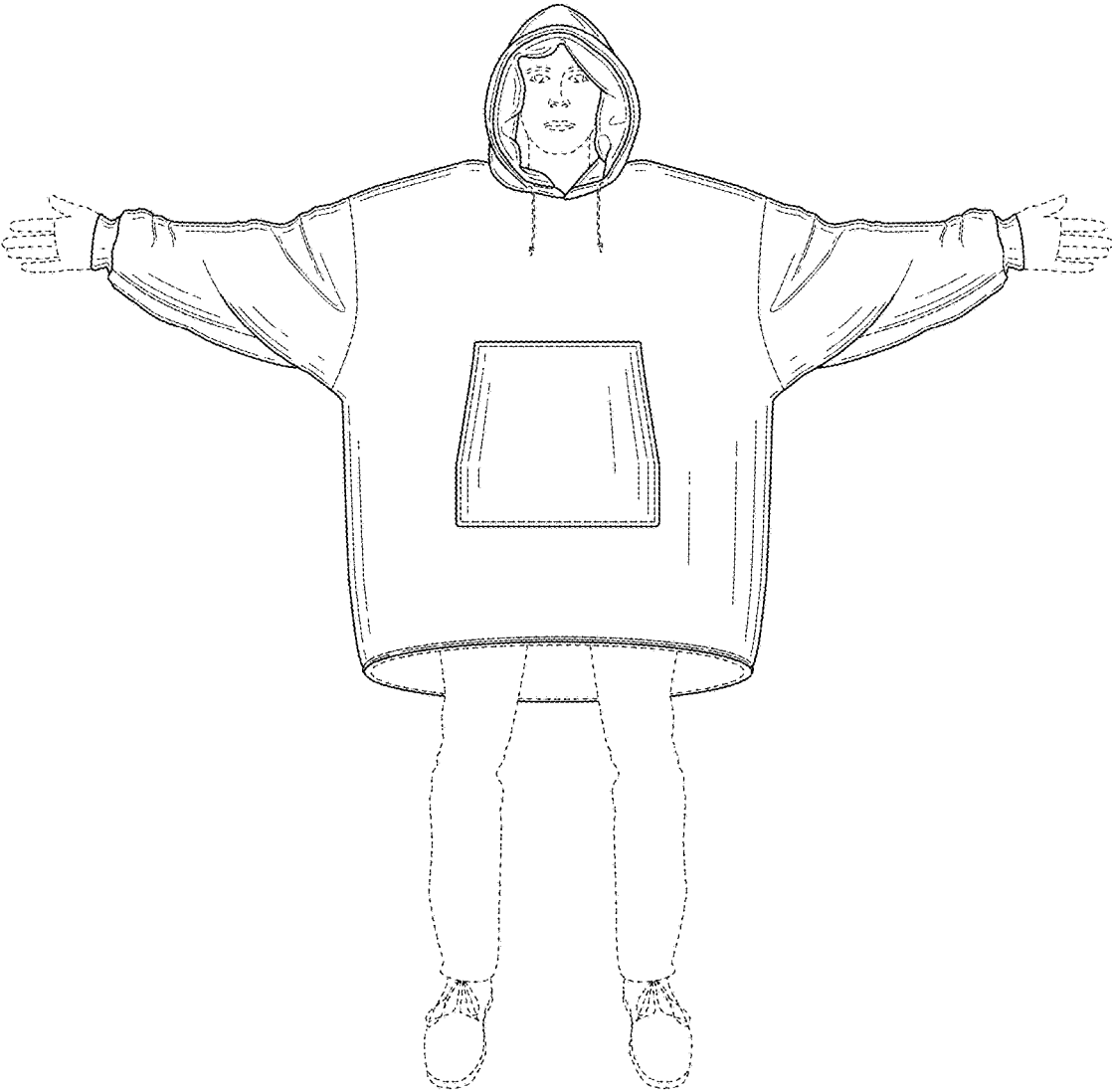


FIG. 1

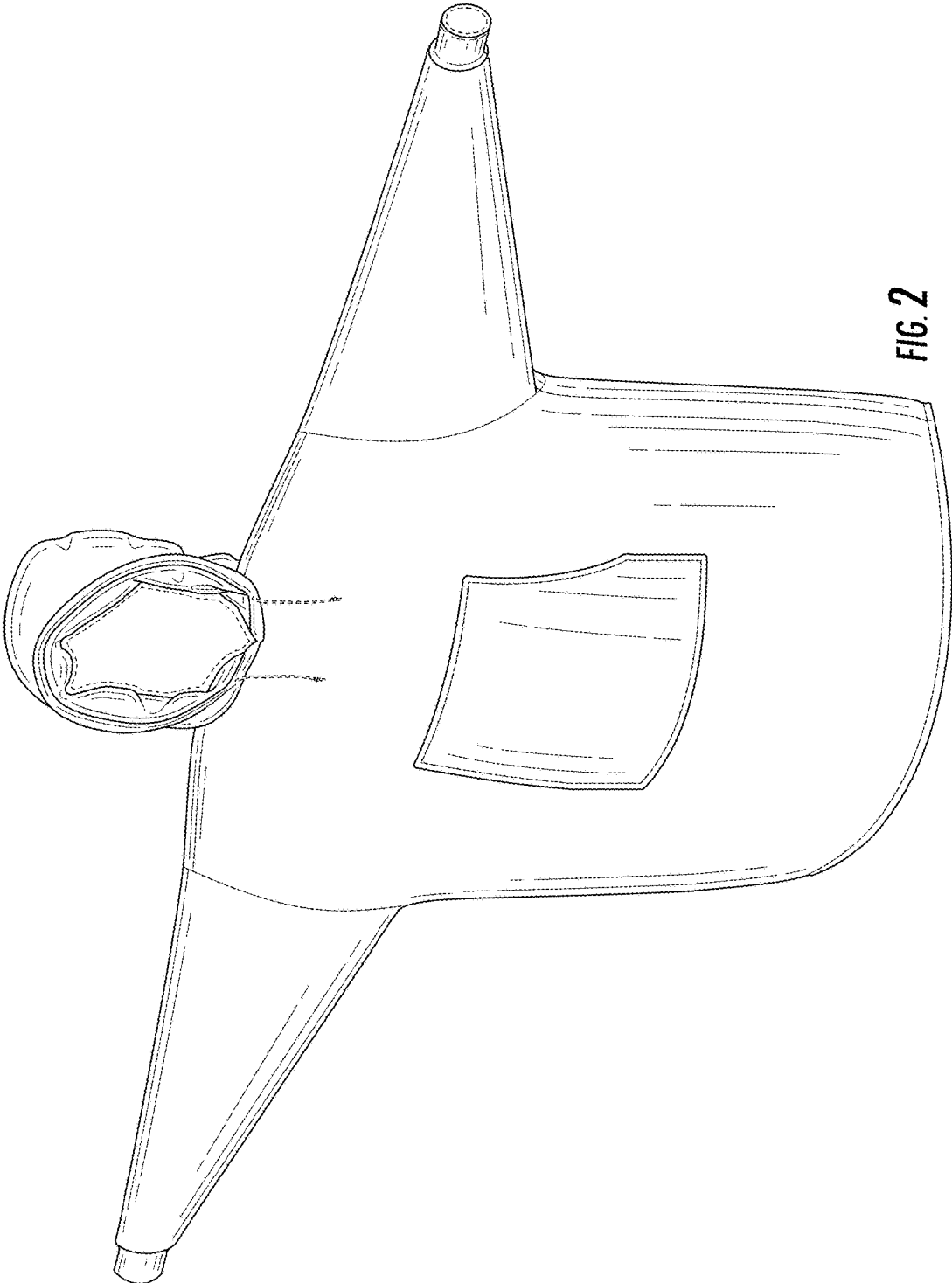


FIG. 2

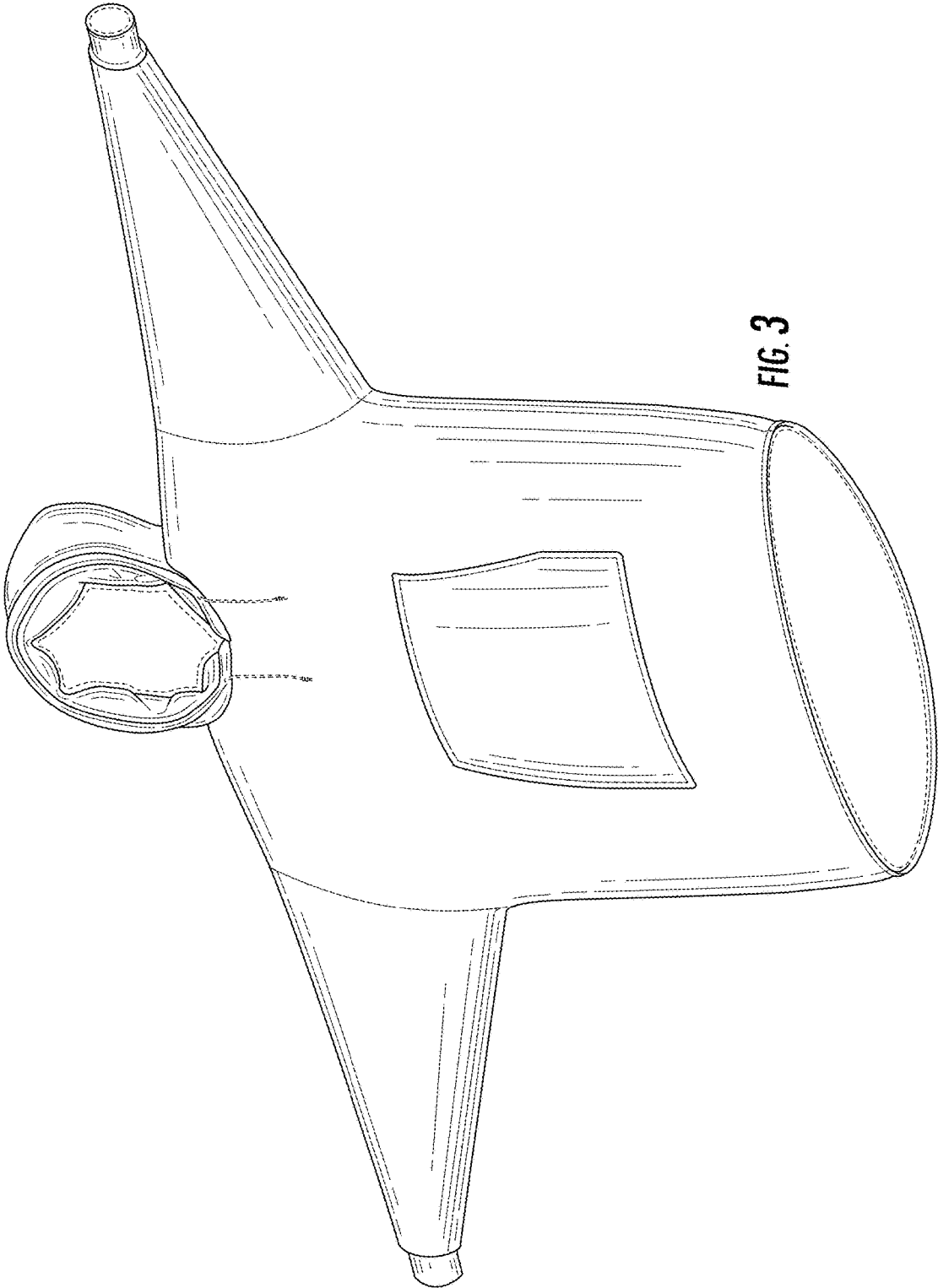


FIG. 3

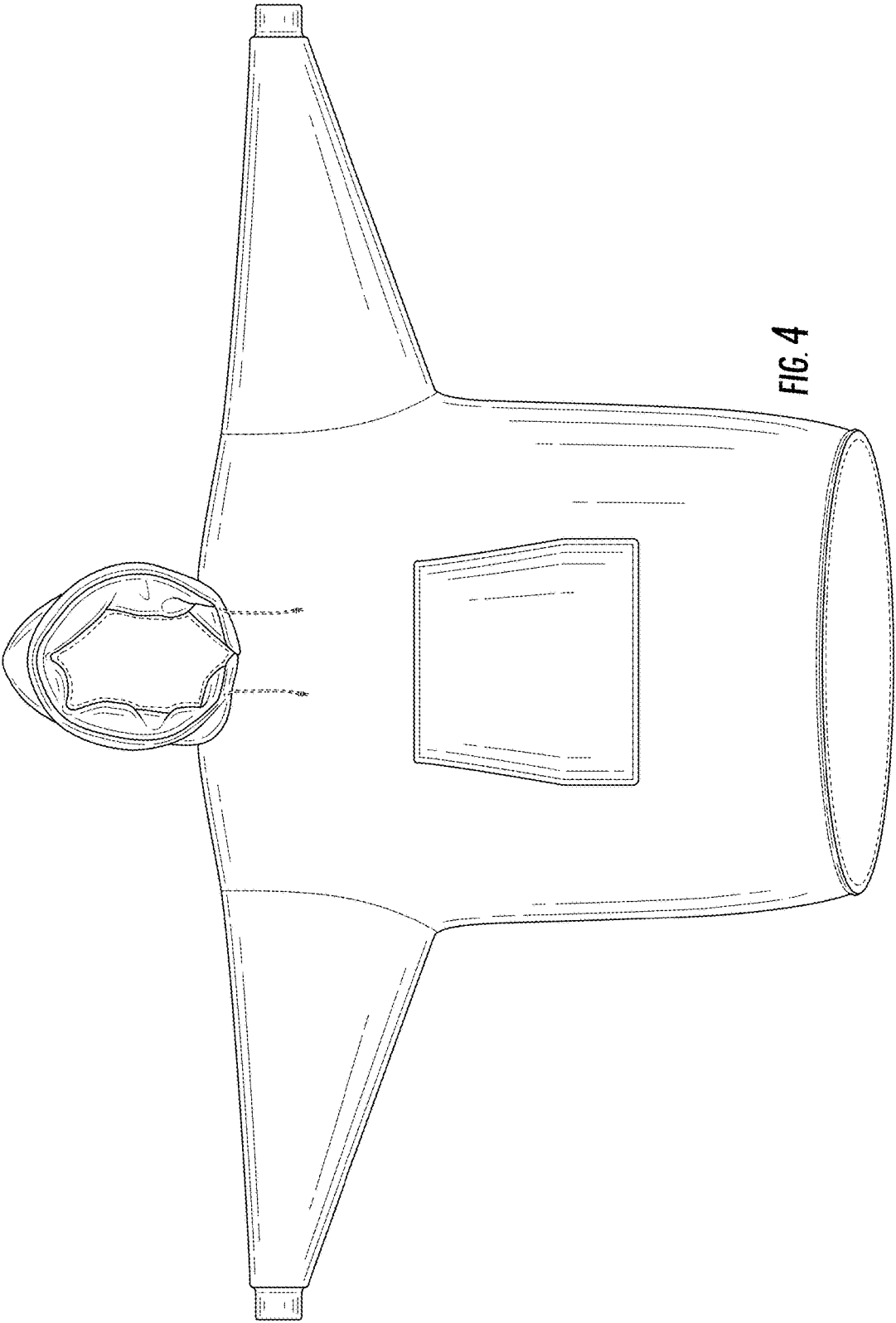
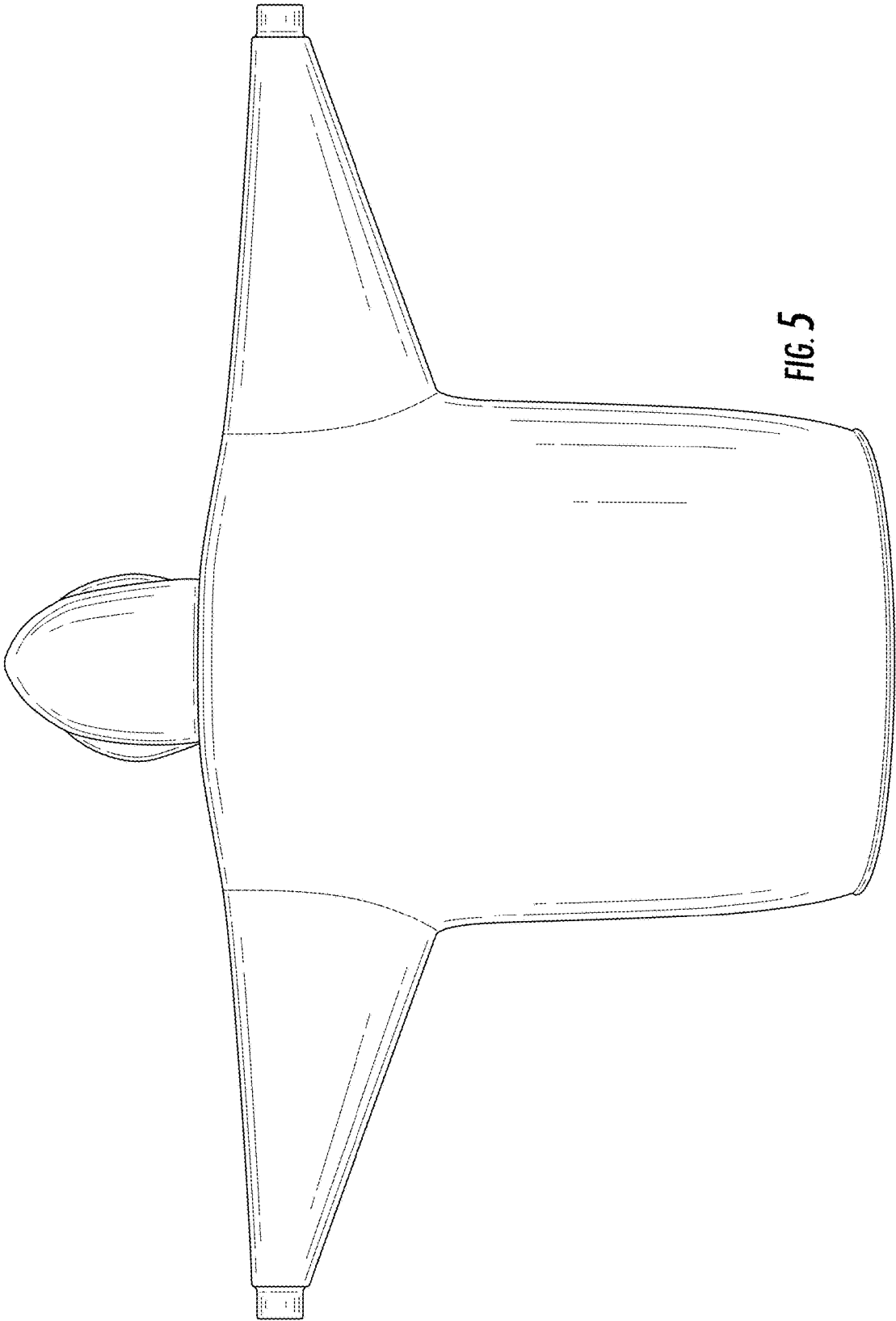


FIG. 4



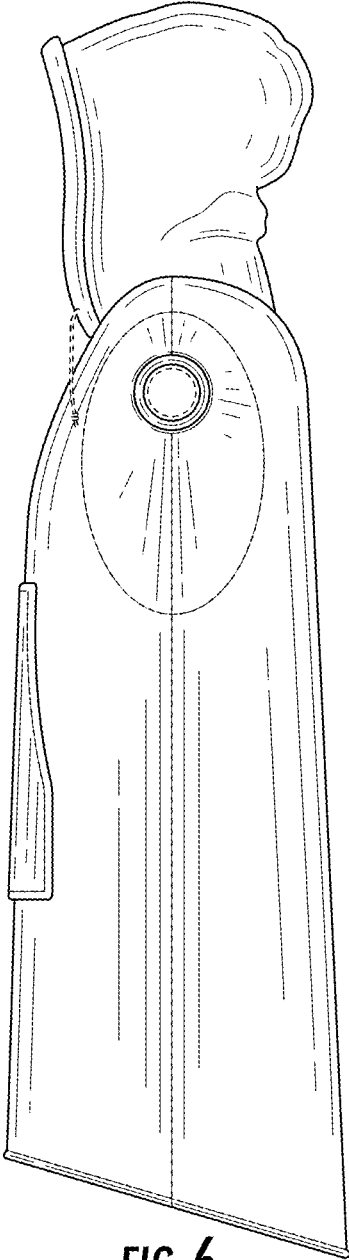


FIG. 6

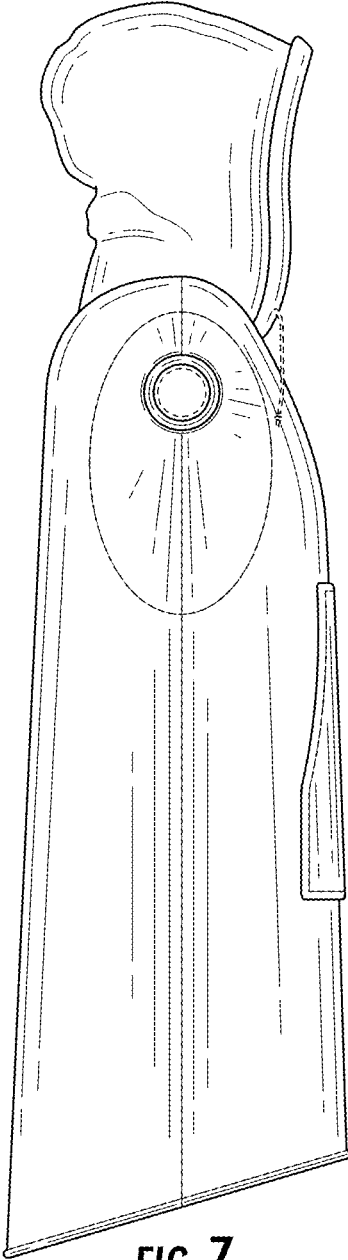


FIG. 7

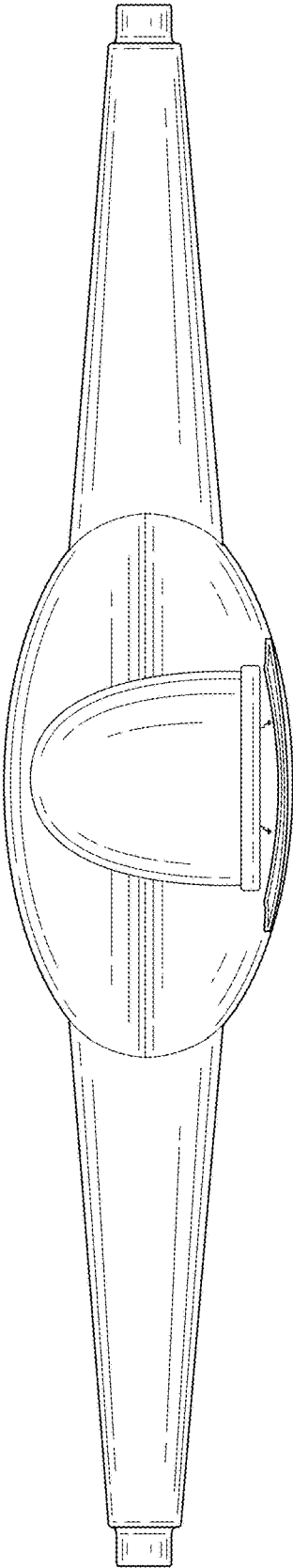


FIG. 8

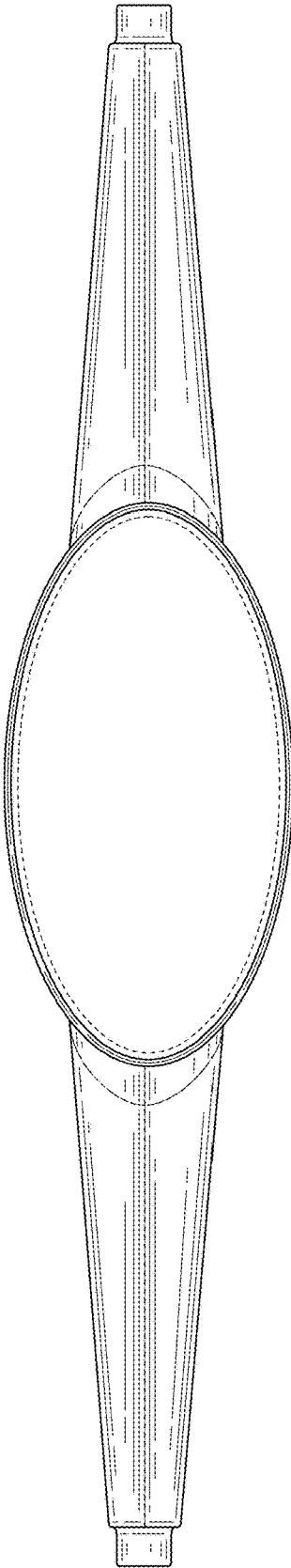


FIG. 9



FIG. 10