



- (51) International Patent Classification:
G06F 15/16 (2006.01)
- (21) International Application Number:
PCT/US2012/030115
- (22) International Filing Date:
22 March 2012 (22.03.2012)
- (25) Filing Language: English
- (26) Publication Language: English
- (30) Priority Data:

61/466,849	23 March 2011 (23.03.2011)	US
13/404,356	24 February 2012 (24.02.2012)	US
13/404,370	24 February 2012 (24.02.2012)	US
13/404,381	24 February 2012 (24.02.2012)	US
13/404,393	24 February 2012 (24.02.2012)	US
- (71) Applicant (for all designated States except US): **COLOR LABS, INC.** [US/US]; 201 Hamilton Avenue, Palo Alto, California 94301 (US).

- (72) Inventors; and
- (75) Inventors/Applicants (for US only): **MALLET, Vincent** [FR/US]; 440 Conil Way, Portola Valley, California 94028 (US). **CHENG, Jessica** [US/US]; 255 S. Rengstorff Avenue, #99, Mountain View, California 94040 (US). **FIEDEL, Noah** [US/US]; 459 Homer Avenue, #8, Palo Alto, California 94301 (US). **GILLUM, Eric William** [US/US]; 1273 Lakeside Drive, #1163, Sunnyvale, California 94085 (US). **RAMANARAYANAN, Ganesh** [US/US]; 24 Kent Place Apt. 4, Menlo Park, California 94025 (US). **WOODS, Nicholas James** [US/US]; 589 Alvarado Street, San Francisco, California 94114 (US).
- (74) Agents: **MADDEN, Robert B.** et al.; SCHWEGMAN, LUNDBERG & WOESSNER, P.A., P.O. Box 2938, Minneapolis, Minnesota 55402 (US).
- (81) Designated States (unless otherwise indicated, for every kind of national protection available): AE, AG, AL, AM, AO, AT, AU, AZ, BA, BB, BG, BH, BR, BW, BY, BZ, CA, CH, CL, CN, CO, CR, CU, CZ, DE, DK, DM, DO, DZ, EC, EE, EG, ES, FI, GB, GD, GE, GH, GM, GT, HN, HR, HU, ID, IL, IN, IS, JP, KE, KG, KM, KN, KP, KR, KZ, LA, LC, LK, LR, LS, LT, LU, LY, MA, MD, ME,

[Continued on next page]

(54) Title: SHARING CONTENT AMONG MULTIPLE DEVICES

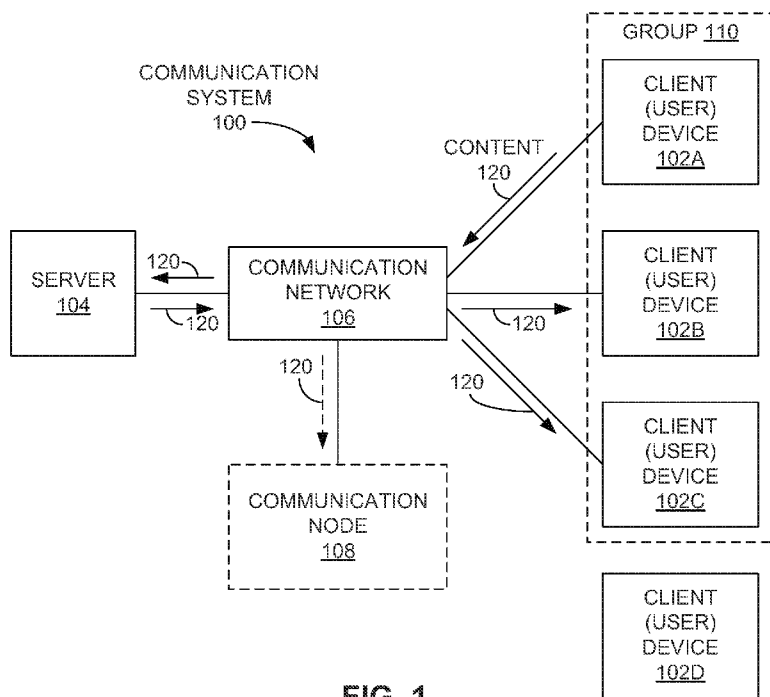


FIG. 1

(57) Abstract: Systems and methods for the distribution of content among user devices of a device group are presented. In one example, logical relationship information describing logical relationships between user devices is accessed. Membership in a device group of a plurality of the user devices is determined based on the logical relationship information. Content from at least one of the user devices of the device group is received over a communication network. The received content is forwarded over the communication network to the other user devices of the device group.



MG, MK, MN, MW, MX, MY, MZ, NA, NG, NI, NO, NZ, OM, PE, PG, PH, PL, PT, QA, RO, RS, RU, RW, SC, SD, SE, SG, SK, SL, SM, ST, SV, SY, TH, TJ, TM, TN, TR, TT, TZ, UA, UG, US, UZ, VC, VN, ZA, ZM, ZW.

RU, TJ, TM), European (AL, AT, BE, BG, CH, CY, CZ, DE, DK, EE, ES, FI, FR, GB, GR, HR, HU, IE, IS, IT, LT, LU, LV, MC, MK, MT, NL, NO, PL, PT, RO, RS, SE, SI, SK, SM, TR), OAPI (BF, BJ, CF, CG, CI, CM, GA, GN, GQ, GW, ML, MR, NE, SN, TD, TG).

(84) Designated States (*unless otherwise indicated, for every kind of regional protection available*): ARIPO (BW, GH, GM, KE, LR, LS, MW, MZ, NA, RW, SD, SL, SZ, TZ, UG, ZM, ZW), Eurasian (AM, AZ, BY, KG, KZ, MD,

Published:

— *without international search report and to be republished upon receipt of that report (Rule 48.2(g))*

SHARING CONTENT AMONG MULTIPLE DEVICES

CROSS-REFERENCE TO RELATED PATENT DOCUMENTS

This patent application claims the benefit of U.S. Patent Application No. 5 13/404,356, entitled "SHARING CONTENT AMONG MULTIPLE DEVICES," filed February 24, 2012; U.S. Patent Application No. 13/404,370, entitled "SHARING CONTENT AMONG A GROUP OF DEVICES," filed February 24, 2012; U.S. Patent Application No. 13/404,381, entitled "USER DEVICE GROUP FORMATION," filed February 24, 2012; and U.S. Patent Application 10 No. 13/404,393, entitled "STORAGE AND DISTRIBUTION OF CONTENT FOR A USER DEVICE GROUP," filed February 24, 2012. Each of these applications claims the benefit of priority of U.S. Provisional Application No. 61/466,849, entitled "SHARING CONTENT AMONG MULTIPLE DEVICES," filed March 23, 2011. Each of the preceding applications is hereby incorporated 15 herein by reference in its entirety.

COPYRIGHT NOTICE

A portion of the disclosure of this patent document contains material that is subject to copyright protection. The copyright owner has no objection to the 20 facsimile reproduction by anyone of the patent document or the patent disclosure as it appears in the Patent and Trademark Office patent files or records, but otherwise reserves all copyright rights whatsoever. The following notice applies to the software and data as described below and in the drawings that form a part of this document: Copyright 2012, Color Labs, Inc. All Rights Reserved.

25

TECHNICAL FIELD

This application relates generally to communication of content and, more specifically, to systems and methods for the sharing of content among multiple devices.

30

BACKGROUND

As portable communication devices, such as cellular phones, tablet computers, and laptop computers, continue to evolve to provide improved audio, video, and still image capture capability, the opportunity for users of these

devices to capture various forms of content and share that content with others, such as friends and relatives, continues to increase. In some situations, a user may distribute the content to others by way of explicitly determining the recipients of the content, manually attaching the content to an e-mail, "picture
5 mail," or similar communication message, and transmitting the message and attached content using the communication device of the user to the communication devices of each of the recipients. Typically, the user distributing the content has programmed the contact information, such as an e-mail address or telephone number, of each of the recipients into his communication device
10 prior to capturing the content to be distributed.

In another example, the user distributing the content may post the content to a separate Internet website or other data site accessible by the intended recipients of the content, and subsequently inform the recipients of the message as to how to access the content. Typically, the site providing access to the
15 content is password-protected or provides some other means by which only the intended recipients may access the content.

BRIEF DESCRIPTION OF THE DRAWINGS

Some embodiments are illustrated by way of example and not limitation
20 in the figures of the accompanying drawings in which:

FIG. 1 is a block diagram illustrating an example communication system;

FIG. 2 is a flow diagram illustrating an example method of sharing content in the communication system of FIG. 1;

FIG. 3 is a block diagram illustrating modules of an example client
25 device of an example communication system;

FIG. 4 is a block diagram illustrating modules of an example server of an example communication system;

FIG. 5 is a diagram of an example data structure identified with a group of client devices of a communication system;

FIG. 6 is a flow diagram illustrating an example method of joining a
30 client device to a group of client devices within a communication system;

FIG. 7 is a flow diagram illustrating an example method of determining a group for a client device to join in a communication system;

FIG. 8 is a flow diagram illustrating an example method of sharing content among a group of client devices in a communication system;

FIGS. 9A through 9L are a set of screen shots of an example user interface provided by a client device in a communication system; and

5 FIG. 10 is a diagrammatic representation of a machine in the example form of a computer system within which a set of instructions for causing the machine to perform any one or more of the methodologies discussed herein may be executed.

10 DETAILED DESCRIPTION

Example methods and systems for sharing content, such as photographs, audio content, video content, and textual content, are discussed. In the following description, for purposes of explanation, numerous specific details are set forth in order to provide a thorough understanding of example embodiments. It will
15 be evident, however, to one skilled in the art that the present subject matter may be practiced without these specific details. It will also be evident that the types of software development described herein are not limited to the examples provided and may include other scenarios not specifically discussed.

In accordance with an example embodiment, FIG. 1 illustrates a
20 communication system 100 including multiple client (user) devices 102A, 102B, 102C, 102D (more generally, devices 102) coupled with a server 104 via a communication network 106. In this specific example, three of the client devices 102A, 102B, 102C belong to a group 110 for which the server 104 distributes content 120 captured by one of the group client devices 102A, 102B,
25 102C to the remaining members of the group 110. In this implementation, a fourth client device 102D does not belong to the group 110, and thus does not receive the content 120 posted to the group 110 by any of the group client devices 102A, 102B, 102C. While FIG. 1 displays a group 110 of three member client devices 102A, 102B, 102C, any number of client devices 102 greater than
30 one may constitute a group 110. As is described in greater detail below, the member client devices 102 of the group 110 may be determined by way of interactions between the client devices 102, such as communications between the devices 102, the physical proximity of the devices 102, and other parameters

describing how closely or strongly the client devices 102 may be logically connected or related to each other during a period of time.

FIG. 2 is a simplified flow diagram of an example method 200 of sharing content 120 among client devices 102, as shown in FIG. 1. However, other communication systems utilizing different components or systems may employ the method depicted in FIG. 2 in other examples. In the method 200, the server 104 determines the client devices 102 belonging to the group 110 (operation 202), as mentioned above. One of the client devices 102A of the group 110 may then capture the content 120 (operation 204), such as audio, video, still image, or the like. The client device 102A then transfers the content 120 to the server 104 (operation 206), which transfers the content 120 to the other member client devices 102B, 102C of the group 110 (operation 208). In one example, the content 120 may also be distributed to a separate communication node 108 (shown in FIG. 1) via an Application Programming Interface (API) of the node 108 so that the content 120 may be accessed from other devices as well. Examples of the communication node 108 may be a server hosting a particular website or messaging service, such as Shutterfly® or Twitter®.

In another example, the method 200 may be encoded as instructions on a non-transitory computer-readable storage medium, such as, for example, an integrated circuit, magnetic disk, or optical disk, which are readable and executable by one or more computers or other processing systems, such as the client devices 102 and the server 104 of FIG. 1.

In FIG. 1, the client devices 102 are capable of capturing content 120, such as photographs, audio and/or video, textual data (such as that generated by a user of the device), or any other type of content 120 of interest to one or more users, and displaying that content 120 to the user of the device 102. Examples of the client devices 102 may include, but are not limited to, mobile communication devices, such as cellular phones, personal digital assistants (PDAs), digital cameras, laptop computers, tablet computers, and netbooks.

The communication network 106 may be any communication network capable of facilitating communications, including the transfer of the content 120, either by wire or wirelessly, between the client devices 102 and the server 104. Examples of the communication network 106 may include, but are not limited to, any and/or all of a wide-area network (such as the Internet), a local-area

network (LAN) (such as an IEEE 802.11x (Wi-Fi) network), a Bluetooth connection, a Near Field Communication (NFC) connection, an Ethernet connection, a mobile or cellular communications device network (such as a third generation (3G) or fourth generation (4G) connection), and a microcell network.

5 The communication network 106 may constitute a direct connection between the server 104 and each of the client devices 102, or may include any number of transmitters, receivers, switches, repeaters, and other components to facilitate communications between the server 104 and the client devices 102.

The server 104 may be any device or system capable of receiving the
10 content 120 from the client devices 102, forwarding the content 120 to other client devices 102, and performing other tasks associated with the server 104 as further described below. The server 104 may be, for example, a processor-based system programmed to coordinate the forming of a group 110 of client devices 102 and facilitating the transfer of the content 120 generated by one or more
15 member devices 102 of the group 110 to other members of the group 110. In one example, the server 104 may implemented as one or more components, such as a processing system and associated database, possibly embodied as a “cloud” solution accessible via the communication network 106. In another example, the server 104 may be a system or device deployed at a communication service
20 provider site, a conference center, or a location at which a particular event or meeting is taking place. In some implementations, the server 104 may be combined with one or more components of the communication network 106, or devices attached thereto, such as a wireless or microcell access point, a localized hub, or even one of the client devices 102. For example, instead of using an
25 explicit client-server topology, the communication system 100 may be configured as a peer-to-peer network, with one or more of the client devices 102 performing the duties of the server 104 as described herein.

In some embodiments, the client device group 110 represents a number of client devices 102 that are identified by way of “interactions” detected by the
30 server 104 that occur between the member devices 102. Interactions between client devices 102 may be both passive (for example, client devices 102 left in close proximity to each other for periods of time) and active (for example, a call, SMS message, or other communication initiated from one client device 102 to another). Types of interactions between client devices 102 that may cause them

to be identified with the same group 110 may include, but are not limited to, the number of communications that have occurred between the client devices 110, the length of time of the communications between the client devices 102, the physical distance between the client devices 102, a length of time during which the client devices 102 are in close physical proximity, and other circumstances and/or activities involving the client devices 102. In some implementations, two client devices 102 of the same group 110 need not maintain close proximity or engage in direct communications between the devices 102 if some type of logical interaction of a unique or important character between the two devices 102 is occurring, or has occurred. For examples, client devices 102 whose users have identified each other as “friends,” and thus may have communicated directly and extensively in the past, may belong to a group 110 regardless of the physical proximity of the associated client devices 102. Such friends may include, but are not limited to, personal friends, friends of friends, relatives, and users sharing or holding one or more common interests or backgrounds. Such logical interactions, together with the more explicit interactions between users mentioned above, may be considered interactions or logical relationships between the various users or user devices for the purpose of defining the client device group 110 in some examples.

Any or all of these interactions, as detected by, or communicated to, the server 104 may contribute to the server 104 determining or calculating a “connection strength” or “affinity” between two of the client devices 102. In some examples, client devices 102 exhibiting a relatively higher connection strength or affinity tend to indicate that the devices 102 should be identified with, or be members of, a group 110, while a relatively lower connection strength or affinity between client devices 102 tends to indicate that the devices 102 should not be members of the same group 110. In at least some embodiments, since the server 104 may detect or receive information regarding interactions between client devices 102, as described above, the focus of the information describing the interactions may be on the client devices 102 themselves, and not on the users of the client devices 102. As a result, the server 104 need not collect personally identifiable information of any users of the client devices 102 in order to determine or calculate the connection strength or affinity between any two client devices 102. Personally identifiable information would

normally include sensitive information such as full name, driver's license number, credit card account numbers, and the like.

5 Additionally, since the server 104 may join client devices 102 into a group on the basis of client device 102 interactions, explicit guidance from users regarding which client devices 102 to include in a network or group 110 may be unnecessary. Further, the server 104 may construct the group 110 and manage membership of client devices 102 in the group 110 without any formalized client device 102 authentication process, such as the explicit use of passwords or other security measures.

10 In some examples, the connection strength or affinity between two or more client devices 102 may not remain constant over time. For example, two users capturing photographs with their respective client devices at a particular event may never communicate directly with each other, and may not be present at any other location at the same time for any significant length of time. As a result, the server 104 may treat such a connection between the two client devices 15 102 as temporary or "ephemeral," thus causing the two client devices 102 to be associated with the same group 110 for a brief time period. Thus, membership in a group 110 may wax and wane over time, and even the group 110 may be short-lived. Thus, such a group 110 may be considered a kind of "elastic network" or "dynamic network" in which membership may change over time 20 due to continuing interactions (or lack thereof) between client devices 102 within the group 110, as well as external to the group 110. In this case, the term "network" is employed to refer to the group 110 of client devices 102, as described above.

25 In one embodiment, once the server 104 forms a group 110 of client devices 102, any member of the group 110 may post content 120, such as audio, video, text, still images, and the like, to the server 104, which may then distribute the content 120 to the other members of the group 110. In the specific example of FIG. 1, the server 104 has formed the group 110 including a first 30 client device 102A, a second client device 102B, and a third client device 102C. A fourth client device 102D is not included in the group 102D due to not possessing a connection strength or affinity comparable to the connection strength or affinity between the other client devices 102A, 102B, 102C. When the first client device 102A then posts content 120 to the server 104 via the

communication network 106, the server 104, in turn, forwards the content 120 to all other members of the group 110 (in this case, the second client device 102B and the third client device 102C), but not to those client devices 102 that are not members of the group 110 (in this example, the fourth client device 102D).

- 5 Similarly, the server 104 may distribute content posted by the second client device 102B or the third client device 102C to the other members of the group 110.

FIGS. 3 and 4 are block diagrams of example embodiments of a client device 300 and associated server 400, respectively, which may serve as one of the client devices 102 and the server 104 depicted in FIG. 1. In FIG. 3, the client device 300 includes a number of software and or hardware modules, such as a user interface module 302, a location services module 304, an environment detection module 306, a time synchronization module 308, a coasting module 310, a content caching module 312, a content push mechanism module 314, a content ingestion module 316, and a tuning parameters module 318. In other client devices 300, one or more of the modules 302-318 may be omitted, and one or more modules not depicted in FIG. 3 may be included.

In the client device 300, the user interface module 302 may facilitate access of the user of the client device 300 to various aspects of the sharing of content 120 within a group 110, including, but not limited to, providing explicit input as to which group 110 to join, posting content 120 to the group 110, and receiving content 120 posted by other client devices 102 in the group 110. More specific examples of the user interface provided by the user interface module 302 are discussed in greater detail below in conjunction with FIGS. 9A through 9L.

The location services module 304 may provide or generate information regarding the physical location of the user client device 300. In one example, the location service module 304 may determine location by way of signals received from the GPS system, an Assisted GPS (A-GPS) system, a Wi-Fi Positioning System, and/or cell-site triangulation. The location services module 304 may receive such signals by way of circuitry of the client device 300 and process one or more of the signals to determine the location.

The environment detection module 306 may receive signals from one or more sensors residing on, or in communication with, the client device 300 to

indicate various environmental conditions in the vicinity of the client device 300. Such signals may indicate, for example, atmospheric pressure, temperature, light, velocity, acceleration, orientation, and so on, as generated by sensors such as light meters, accelerometers, gyroscopes, thermometers, and the like. For example, persistent changes in acceleration may indicate the client device is located in a moving car, or the detection of multiple voices may indicate presence within a crowd. The environment detection module 306 may also employ signals from various communication network interfaces, such as Near-Field Communication (NFC) signals, Bluetooth® communication signals, Wi-Fi communication signals, and the like to supplement and enhance the location information of the client device 300 generated by the location services module 306 to more closely define the location of the client device 300.

The time synchronization module 308 may provide timing information, such as a timestamp, that is periodically received from the server 400 (and maintained locally in the time synchronization module 308) to mark when various location data (from the location services module 304) and/or environmental data (from by the environment detection module 306) were received or generated. As is described more fully below, the location and environmental data, along with their timing information, may be uploaded to the server 400, which may then compare that data with corresponding data from other client devices 300 to determine the relative physical proximity of the client devices 300, and thus at least partially determine which of the client devices 300 may be grouped together.

Generally, the coasting module 310 aids in determining how long the client device 300 may remain in a particular group 110 during periods of time in which the client device 300 has lost contact with the server 400, or during periods of intermittent contact with the server 400. In one example, the coasting module 310 takes into account various types of information, such as location information, time information, and activity of the client device 300 within the group 110 (for example, posting of content 120 to the group 110, initiation of the group 110 by the client device 300, and so on), to help determine if the client device 300 should remain in same group 110 as it did prior to the last significant contact with the server 400.

The content caching module 312 may store locally on the client device 300 content 120 that has been captured at the client device 300 but has not been posted to the server 400, such as during times when the client device 300 has lost contact with the server 400. In response to the connection between the server 400 and the client device 300 being restored, the cached content, including photos, audio, video, annotations, and the like, may then be uploaded to the server 400 for subsequent transfer to the other client devices 400 of the group 110.

The content push mechanism module 314 facilitates reception of content 120 and other data from the server 400 via the communication network 106 under a “push” data transfer model. For example, a Comet web application model may be employed to receive content 120 and other data under a “hanging GET” protocol, in which the server 400 maintains a HyperText Transfer Protocol (HTTP) request from the client device 300 indefinitely to push the content 120 and other data to the client device 400.

The content ingestion module 316 may be responsible for taking the content 120 captured at the client device 300 and possibly modifying, adjusting, or otherwise processing the content 120 before posting the data to the server 400. For still image content 120, examples of such processing may include, but are not limited to, scaling the image, and adjusting the resolution, orientation, brightness, sharpness, color, contrast, or focus of the image. These operations may depend on several factors, including, but not limited to, the capture and display capabilities of the client device 300, and the speed of the communication network 106 coupling the client device 300 and the server 400. The content ingestion module 316 may also package various metadata with the content 120, such as the location and environmental data discussed above, possibly to allow the server 400 to determine the group 110 to which the content 120 is to be distributed.

The tuning parameters module 318 may receive one or more parameters from the server 400 that may condition or modify the operation of one or more of the modules 302-316 of the client device 300. In one implementation, the tuning parameters module 318 may receive parameters that affect the operation of the coasting module 310 based on the last known location of the client device 300. For example, the length of time the client device 104 may be out of contact

with the server 104, or the distance the client device 300 has traveled, before being removed from a group 110 may be adjusted based on available network access in the area of the client device 300. In some examples, other tuning parameters may be received from the server 400 that affect other modules, such as the location services module 304, the environment detection module 306, and the content push module 314. Such parameters may include, for example, how to process the proximity and environmental data being received at the client device 300, what communication address the client device 300 should use to receive content 120 updates, and so on.

In FIG. 4, the server 400 may include, for example, any or all of an API module 402, a user metadata module 404, an interaction recording module 406, an affinity calculator module 408, a group content ranker module 410 (which, in turn, may include a group candidate indexer 412 and a candidate scorer module 414), a push/subscribe module 416, a presence module 418, a content queue module 420, a face detection/recognition module 422, and an image quality detection module 424. In other servers 400, one or more of the modules 402-424 may be omitted, and other modules not depicted in FIG. 4 may be added.

The user metadata module 404 contains information associated with each of multiple client devices 300 for various users, such as identifiers associated with the client device 300 to allow communication with the other client devices 300. The user metadata may also include a list of contacts (such as other client devices 300) with which the client device 300 has interacted in the past. In one example, the contacts may be divided into an active contact list and an all contacts list. Based on recent interactions between the client device 300 and other client devices 300, the server 400 may promote client devices 300 from the all contacts list to the active list for the client device 300, and demote client devices 300 in the active list to the all contacts list. The promotion and demotion operations are the result of calculations made by the affinity calculator module 408, described below. The contacts lists can also be modified due to direct override instructions from the user of the client device 300. Other user preferences, such as which groups 110 the client device 300 has initiated or formed, and which groups 110 the client device 300 are to remain in regardless of previous client device 300 interactions (referred to below as “pinning,”) may be stored via the user metadata module 404 as well. In some implementations,

additional contacts may be added to the lists based on one or more inferences or algorithms. For example, a particular prospective contact may be added to the contact lists of a client device 300A based on, for example, triangle closing, in which the client device 300A and the prospective contact each have one or more
5 common contacts.

The API module 402 facilitates at least two functions via two other modules of the server 400. For one, the API module 402 enables the recording of interactions between client devices 300 via the interaction recording module 406. Further, the API module 402 facilitates the answering of queries regarding
10 affinity with other client devices 300, which are calculated by the affinity calculator module 408. In one example, the API module 402 maintains an affinity score between each client device 300 and other client devices based on the recorded interactions, with the affinity scores (generated by the affinity calculator module 408) being compared with a threshold value to determine
15 whether other client devices 300 are placed in the active contacts list or the all contacts list maintained in the user metadata module 404, with a contact in the active contacts list indicating that the contact is active. The threshold may be a floating threshold in some implementations, the value of which may depend on how many other client devices 300 with which the first client device 300 has
20 interacted. Other factors may affect the value of the threshold in some examples.

In one example, the interaction recording module 406 may keep track of the most recent interactions between the client device 300 and another client device 300, such as 100 or 200 interactions, in a type of first-in, first-out (FIFO) scheme. As a result, older interactions are deleted in most cases, as they are
25 presumably of lesser importance than newer interactions. Some interactions may not be treated strictly according to such a FIFO scheme in some examples, such as another client device 300 that the first client device 300 has either “friended” or explicitly blocked, as such user preferences may be preserved, regardless of their age.

In the example of FIG. 4, the group content ranker module 410 includes
30 two sub-modules: a candidate indexer module 412 and a candidate scorer module 414. Generally, the candidate indexer module 412 determines one or more possible groups 110 into which the client device 300 belongs. Such action may occur, for example, when the client device 300 is first powered up, or when

an application that implements the various methods discussed herein is initiated. The candidate indexer module 412 may then forward the one or more identified groups 110 to the candidate scorer module 414, which may then generate a score, such as by way of a formula, each time the group content ranker module 5 410 is requested to perform the function. For example, the group content ranker module 410 performs the ranking for a client device 300 relative to the one or more groups 110 available when the client device 300 first attempts to join a group 110, or when the client device uploads an item of content 120, such as a photograph, video clip, audio segment, text block, or the like.

10 The group content ranker module 410 may then use the scores provided by the candidate scorer module 414 to sort and rank the content 120 according to the one or more groups 110. The group 110 with the highest score relative to the content 120 may then be selected for the client device 130 to join. In some implementations, the user of the client device 300 may have specifically 15 indicated a preference for a particular group 110, in which case the group content ranker module 414 may select that group 110 for the content 120. In one example, the group content ranker module 414 compares the highest score for a group 110 to a threshold value. If the score attains the threshold, the server 400 may recommend the associated group 110 to the client device 300 for joining, or 20 automatically join the client device 300 to the group 110. If, instead, the score is less than the threshold, the server 400 may generate a new group 110 for the client device 300 and push metadata associated with that group 110 to other client devices 300, such as those located proximate to the first client device 300, and allow those client devices 300 the option of joining the newly generated 25 group 110. In one example, the group content ranker module 414 receives metadata regarding proximity, connections, and the like between the first client device 300 and other client devices 300 each time the group content ranker module 414 ranks the candidate groups 110 for particular content 120 to adjust the ranking.

30 The presence module 418 may be employed by the server 400 to determine which client devices 300 are located within some predetermined distance of the first client device 300. This server 400 may use this information to identify those client devices 300 that may be interested in joining a new group initiated by the first client device 300. To this end, the presence module 418

may maintain a real-time index of those client devices 300 in proximity to the first client device 300. For those client devices 300 not proximate to the first client device 300, the server 400 may poll those client devices 300 to determine their location in order to provide a group 110 with which they may be associated.

5 The push/subscribe module 416 may provide the functionality for the server 400 to push content to the client devices 300 of a particular group 110, as well as to provide one or more potential groups 110 to a client device 300, to which the user of the client device 300 may then subscribe or join. In one example, the server 400 automatically joins the client device 300 to the group
10 110 without requesting confirmation from the client device 300. As mentioned above, the pushing of content 120 may be facilitated by way of a Comet web application model to distribute content 120 and other data to the client devices 300 under a “hanging GET” protocol.

 The content queue module 420 may maintain and manage content 120
15 that is yet to be distributed to one or more client devices 300. For example, the push/subscribe module 420 may not distribute each item of content 120 immediately to all client devices 300 of a group 110 if the number of client devices 300 is high enough to cause a significant delay in distributing the content 120 to all of the group 110 members. In such cases, the push/subscribe
20 module 416 may then forward the content 120 (and possibly any associated metadata) to the content queue module 420, which then may hold the content 120, or transfer the content 120 to only a subset of the group 110 member devices, until a later time. The decision to queue the content 120 in the content queue module 420 may be based upon several factors, possibly including, but
25 not limited to, the number of client devices 300 associated with the group 110 and the available bandwidth of the communication network 106.

 The face detection/recognition module 422 may be employed to adjust still or video image content (for example, by cropping) based on the faces or other important features detected in the image prior to distributing the resulting
30 content 120 to the group 110. In one example, the face detection/recognition module 422 may also correlate facial features with names of people in order to generate metadata identifying the person represented in the content 120. The metadata may then be attached to the content 120 prior to distribution to the group 110.

The image quality detection module 424 may process still images, one or frames of a video segment, and the like to ascertain one or more aspects of the images or frames, such as scaling, resolution, orientation, brightness, sharpness, color, contrast, focus, and the like. The image quality detection module 424 may then determine the relative quality of the image and decide whether the image or frame is to be distributed to the remaining client devices 300 of the group, or should be discarded instead. In some implementations, the image quality detection module may adjust the image, such as cropping out-of-focus areas or less interesting portions of the image, brightening the image, and so forth before distributing the image to the group 110.

FIG. 5 provides a graphical representation of a group data structure 500 that maintains data related to the content 120 associated with a particular group 110. In this particular example, the group data structure 500 provides a root 501 or "parent" structure to which multiple "leaf" or "child" data structures 502-510 may be associated. Examples of the child data structures 502-510 may include, but are not limited to, a group identifier 502, a data structure 504A-504N for each photograph or still image associated with the group 110, a data structure 506A-506N for each video segment associated with the group 110, a data structure 508A-508N for each audio segment associated with the group 110, and a data structure 510A-510N for each annotation associated with the group 110. In some examples, an annotation may be a text string or other set of characters relating comments, likes, user ratings, and so forth from users of client devices 300 of the group 110. The annotations may be associated with particular content 120 or with the group 110 in general, such as invitations to other client devices 120 to join a particular group. Any or all of the root 501 and the leaf data structures 502-510 may also include, or be linked with, metadata discussed above that is associated with the client device 300 posting the content 120, possibly including, but not limited to, the identity of the posting client device 300, the time of capture of the content 120, information describing the location of the client device 300, and the environmental parameters sensed at the client device 300. As described above, this information may be used by the group content ranker module 410 to rank the various possible groups 110 associated with the content 120.

Each group data structure 500 may be logically associated with each client device 300 identified as a member of the group 110. Further, the server 400 may organize the client devices 300 according to their involvement in the group 110 as either contributing devices (for example, those client devices 300 providing or posting content 120 to the group 110) or presence devices (those client devices that are receiving content 120 but not providing the content 120). In some implementations, the presence devices are not considered to possess as strong a connection to the groups as the contributing devices, as they may possess only “ephemeral presence” in the group by being associated with the group temporarily before being associated with another group 110, such as by physically moving away from the first group 110 without contributing content 120, and then coming in close proximity to a second group 110.

FIG. 6 provides portions of an overall block diagram of operations and interactions between the server 400 and a client device 300A attempting to join a group 110 according to one specific example of a method of distributing content within a group 110. Other client devices 300 other than the client device 300A are generally referred to as client devices 300B, as shown in FIG. 8. Other possible examples may omit one or more operations and communications described in FIG. 6, or may add other operations and communications not shown therein.

In FIG. 6, a client device 300A may provide an initial message to the server 400 via the API module 402 upon powering up or initiating a specific application (operation 602). Such a message may be termed a “bootstrap” message. In response, the server 400 may supply one or more tuning parameters via the API module 402 for various modules of the client device 300 (operation 604), as described above. At some point after receiving the tuning parameters, the client device 300A retrieves or generates location information (via the location service module 304) and environmental data (via the environment detection module 306) (operation 606). The client device 300A may then transmit a recurring message (sometimes referred as a polling or “I am here” message) containing the generated location and environment data to the server 400 via the API module 402 (operation 608).

In response to the polling message 602, the API module 402 of the server 400 may record information specific to the client device 300A (operation 610).

For example, the API module 402 may inform the presence module 418 of this information so that the presence module 418 may determine other potential client devices 300B within physical proximity to the first client device 300A. The API module 402 may also cause the push/subscribe module 416 to subscribe
5 the client device 300A to the server 400 so that the client device 300A will receive updates regarding new content 120, new groups 110, new member client devices 300B for a group 110 to which the client device 300A belongs, and so on.

Also in response to the polling message 608, the API module 402 may
10 invoke the group content ranker module 410 with the received location and presence information to generate group recommendations for the client device 300A (operation 612). A more detailed example of this operation is provided in FIG. 7. In that example, the group content ranker module 410 may provide the client device 300A location and environmental information to the candidate
15 indexer module 412 (operation 702) so that the candidate indexer module 412 may identify candidate groups 110 for the client device 300A (operation 704). The candidate groups 110 may include all groups 110 in the vicinity of the client device 300A. In one example, the vicinity of the client device 300A may be defined relative to a predefined area, so that the candidate indexer module 412
20 may then determine the location of the client device 300A relative to other client devices 300 for various groups 110 in the same or adjacent areas. Other groups 110 not in the vicinity may also be considered, such as current or recent groups 110 to which “friends” of the client device 300A may belong (or have recently belonged), or to which the client device 300A may have been attached
25 previously.

The candidate indexer module 412 may then provide the candidate groups to the candidate scorer 414 (operation 706), which may then independently score each of the candidate groups 110 provided by the candidate indexer module 412 (as described above) (operation 708) and provide those
30 scores to the group content ranker module 410 (operation 710). In one example, the candidate scorer module 414 may receive several input factors to determine the score for a particular group. One such type of factor is explicit actions taken by users of the client device 300A regarding previous groups 110 or associated client devices 300 to which the client device 300A was attached. Such actions

include, for example, manually joining a previous group 110, manually creating a previous group 110, manually maintaining an attachment to a previous group 110 regardless of subsequent changes in location (referred to as “pinning” to a group 110), and designating a particular client device 300 as a “friend.”

5 Information may also be provided to the candidate index scorer module 414 whether such a friend is present in the candidate group 110, and whether the friend contributed content 120 to the candidate group 110 (including annotations). The candidate index scorer module 414 may also consider actions of the user of the client device 300A regarding previous interactions with the
10 candidate group 110, such as presence in the group 110 and contribution of content 120 and/or annotations. In some examples, the candidate index scorer module 414 may also consider one or more factors indicating the relative “loneliness” of the client device 300A based on the number of friends, contributors, and the like previously associated with the client device 300A in
15 other groups 110. The candidate index scorer module 414 may also consider the time, location, and environmental information provided by the client device 300A via the API module 402 of the server 402.

The candidate index scorer module 414 may represent any and/or all of these factors by numerical values, which the candidate index scorer module 414
20 may then subsequently weight to determine the relative importance of each factor. Various maximum or minimum limits may be placed on each of the values. Further, one or more various time-varying functions may be applied to each weighted factor value, such as, for example, exponential decay, asymptotic growth, or a decreasing ramp, to represent the effect of the passage of time on
25 the factor. For example, factors relating to the location of the client device 300A at various times may be conditioned with an exponential decay function such that older locations become less important to the scoring over time. An asymptotic growth function which approaches a particular maximum value may be applied to factors addressing the amount of contribution activity of friends of
30 the client device 300A. Other factors, such as the manual actions of the user of the client device 300A relative to the joining, creating, and pinning of groups 110 may not be conditioned with a particular time-varying function.

Each of the resulting values may then be combined by way of an aggregating function to determine the overall score for a candidate group 110.

In one example, the overall algorithm, including the factor weights, the applied time-varying functions, and the aggregating function may remain constant or static, while in other implementations, they may be altered over time as a result of one or more machine learning algorithms.

5 Upon receiving the candidate groups and their scores, the group content ranker module 410 either selects one of the candidate groups 110 for the client device 300A, or generates a new group 110 for the client device 300A (operation 712). In one example, the group content ranker module 410 compares the score of each candidate group 110 to a predetermined threshold. If at least one of the
10 candidate groups 110 possesses a score meeting or exceeding the threshold, the group content ranker module 410 may select one or more of the candidate groups 110 with the highest scores exceeding the threshold for the client device 300A to join. Instead, if none of the candidate groups 110 possesses a score as high as the threshold, the group content ranker module 410 may create a new group 110
15 for the client device 300A to join. In the case of a new group 110, group content ranker module 410 may also associate the location and environmental metadata for the client device 300A with the new group 110 so that other client devices 300B in the vicinity of the client device 300A may be asked to join the new group 110.

20 In some implementations, the group content ranker module 410 may also take into account previous user preferences regarding groups in order to select a group 110 for the client device 300A. Such preferences may include, for example, favoring the joining of a group 110 that includes specific client devices 300B, such as “friends,” or blocking the joining of a group 110 that includes
25 other specific client devices 300B. Such preferences may override the scores for the candidate groups 110 provided by the candidate scorer module 414.

 After the group content ranker module 410 selects the one or more groups 110 for the client device 300A to join potentially, the group content ranker module 410 may then associate the client device 300A to the selected
30 group or groups 110 (operation 714) by indicating to the presence module 418 that the client device 300A is to be joined to the candidate group or groups 110, and is to be removed from other groups 110 in which the client device 300A may have been active. The push/subscribe module 416 may also be employed to subscribe the client device 300A to all real-time changes detected for that group

(operation 716), such as new content 120, changes in group 110 membership, and so on. The client device 300A may also be subscribed to other candidate groups 110 nearby in case a switch to one of those groups 110 is subsequently warranted due to location changes and other circumstances.

5 For at least some of the embodiments described herein, the algorithms employed to perform various functions regarding the formation of a group 110 (such as those performed by the affinity calculator module 408, the candidate indexer module 412, candidate scorer module 414, and/or the group content ranker module 410, for example) may be based on one or more types of
10 modeling. Examples of such modeling may include, but are not limited to, logistic regression, Bayesian networks, random forest modeling, and neural networks.

Returning to FIG. 6, the API module 402 of the server 400 provides the recommended groups to the client device 300 (operation 614). In one example,
15 the API module 402 provides a strong recommendation for one of the recommended groups 110 for the client device 300A to join based on the highest score generated by the candidate scorer module 414. In response, the user of the client device 300A selects one of the recommended groups 110 (operation 616). The client device 300A may then inform the server 400 of the selection via the
20 API module 402 (operation 618). In another example, the server 400 may simply select the highest-ranked group 110 for the client device 300A and inform the client device 300A of the selection of the group 110, in which case the client device 300A need not select a particular group 110 to join or inform the server 400 of the selection. In some cases, the client device 300A may
25 instead be able to explicitly change the group 110 selected by the server 400 to another of the candidate groups 110.

In one implementation, the server 400 may be capable of detecting circumstances in which multiple client devices 300 attempt to create a new group 110 nearly simultaneously, which should logically be the same group 110.
30 In this example, the server 400 analyzes one or more factors, including, but not limited to, the location and environmental conditions of the client devices 300 attempting to create a new group 110, and the timing of the creation of the groups 110. Based on that analysis, the server 400 may instead create a single group 110 for all of the involved client devices 300 to join.

At this point, the client device 300A and the server 400 are in agreement as to the particular group 110 that the client device 300A has joined. Further, the entire evaluation process of operations 606-618 of deciding whether the client device 300A should remain in the current group 110 (or be removed from the group 110, possibly in order to join a new group 110) may be performed again in response to one or more events 620. One such event 620 may be the expiration of a timeout timer, or “heartbeat” counter, which may cause the client device 300A to gather location and environmental data (operation 606) and transmit another polling message containing that data (operation 608) once a certain period of time (for example, three or five minutes) has elapsed since the last polling message was transmitted. The heartbeat counter may be maintained either in the server 400 or the client 300A. Another such event 620 may be the generation of a new group 110 in the vicinity of the client device 300A, in which case the server 400 informs the client device 300A of the new group 110, causing the client device 300A to transmit another polling message 608. Further, another event 620 may occur if the client device 300A detects significant physical movement (via location or environmental data of the client device 300A). In some implementations, the user of the client device 300A may explicitly request a re-initiation of the grouping process, thus constituting another type of the event 620. In each case, the server 400 may then determine that the client device 300A should either remain in the current group 110, or switch to another group 110, based on the scores generated for each group 110 in the server 400. In other examples, the grouping operations 606-618 may also occur in response to the creation or capture of content 120 in the client device 300A, which is then uploaded to the server 400 for distribution to other member client devices 300B of the group 110.

In some implementations, a group 110 may be strongly identified with, or “pinned” to, a particular location or venue, such as a local pub, or a stadium or arena. As a result, the user of the client device 300A may explicitly request a re-initiation of the grouping process when entering such an area, or the server 400 may initiate the process in response to detecting that the client device 300A has entered that area. Accordingly, the server 400 may thus provide the client device 300A with the option of joining that particular group 110. Similarly, upon leaving such a predetermined area, either the server 400 or the client device

300A may again initiate the grouping process to find another group 110 for the client device 300A.

In yet other embodiments, the server 104 may initiate the grouping process for the client device 300A with the intent of removing the client device
5 300A from its current group 110 in response to unwanted, objectionable, or fraudulent behavior by the user of the client device 300A. For example, other member client devices 300B of the group 110 may signal the server 104 to request that the client device 300A be removed from the group 110. Depending on the number and nature of the requests from the other client devices 300B, the
10 server 400 may either reinitiate the grouping process while requiring the client device 300A to be removed from the current group 110, or just unilaterally remove the client device 300A from the group 110 without attempting to join the offending client device 300A to another group 110. In another implementation, the server 110 may perform such actions without requests or other input from the
15 other client devices 300B of the group 110 by way of some algorithm or heuristic. For example, the server 104 may base a decision to exclude the client device 300A from the group 110 upon detection of the client device 300A posting an inordinate amount of content 120, or posting objectionable content 120, such as inappropriate comments, photos, and the like.

20 In the event that the client device 300A loses contact with the server 400 for periods of time, and thus is not able to provide the polling message 608 with the location and environmental data in a timely manner, the coasting module 310 of the client device 300A can determine whether (or for how long) the client device 300A remains in the joined group 110. In one example, the server 400
25 pushes a set of guidelines or instructions employed by the coasting module 310 to determine under what conditions the client device 300A has left its selected group 110. For example, various conditions, such as a lack of contact with the server 400 for a predetermined minimum period of time, movement by the client device 300A exceeding some minimum distance, and/or possibly some change in
30 interaction between the client device 300A and another client device 300B (such as a "friend"), may cause the coasting module 310 to determine that the client device 300A is no longer part of its selected group 110.

While joined with a group 110, the client device 300A may upload content that is captured or generated in the client device 300A to the server 400

for distribution to other member client devices 300B of the group 110. FIG. 8 provides a flow diagram of a method 800 for distributing or sharing the content 120. For example, in response to the user of the client device 300A activating a camera button of the client device 300A, entering text into the client device
5 300A, or performing a similar action, the client device 300A captures the associated content 120 (operation 802).

The client device 300A may also process the content 120, such as provide thumbnail versions of a photo, as well as other information relating to the photo, to generate additional data to be included with the content 120
10 (operation 804). The client device 300A may also attach to the content 120 the various location and environmental metadata provided via the location services module 304 and the environment detection module 306, as well as possibly the identity of the client device 300A (operation 806). Other information regarding the content 120, such as brightness and contrast scores for an image, may also be
15 attached as metadata to the content 120. The client device 300A may then upload the content 120 and attendant metadata to the server 400 via the API module 402 (operation 808).

Upon receipt of the content 120 and metadata, the server 400 may then process the content 120 (operation 810). In some examples, the server 400, via
20 the face detection/recognition module 422 and the image quality detection module 424, may modify the content 120, such as crop still images to show better show faces, or eliminate portions of images, or entire images, that are of poor quality. Further, the server 400 may be capable of associating user names with faces appearing in images, and providing those names as metadata to the
25 receiving client devices 300B. That information may also be employed in some embodiments to associate other client devices 300B with the group 110. The server 400 may employ other types of processing of the content 120 in other examples.

The server 400 also determines the group 110 that the client device 300A
30 is currently associated with (operation 812). In one implementation, if the client device 300A has maintained contact with the server 400 prior to the uploading of the content 120 and associated metadata (operation 808), the API module 402 may determine that the current group 110 with which the client device 300A is joined is the intended destination group 110. If, instead, the client device 300A

had previously lost contact with the server 400, the server API module 402 may cause the group candidate ranker module 410 to determine, via the metadata associated with the content 120, if the client device 300A belonged with another group 110 at the time the content 120 was captured or generated. Once the
5 group 110 determination has been made, the API module 402 may also store the content 120 and associated metadata as a child data structure of the group data structure 500 associated with the group 110.

Once the group 110 associated with the client device 300A is determined, the server 400 may then download the content 120 and metadata via the
10 push/subscribe module 416 to the client devices 300B with the group 110 (operation 814). For example, each of the other client devices 300B may be sent a message indicating that the content 120 from the client device 300A is available for download via the Comet model mentioned earlier. In some implementations, the other client devices 300B may download thumbnail
15 sketches or other forms of the content 120 prior to downloading the full content 120, depending on the size of the content 120, the bandwidth available in the connection between the server 400 and the other client devices 300B, and other factors.

After downloading the content 120 and any related metadata, the
20 receiving client device 300B may present the content 120 to the user (operation 816) such as by way of a user interface of the client device 300B. Also, the content 120 may be archived in the client device 300B for subsequent retrieval and presentation to the user, such as by way of a content "diary," described below.

25 Other than content 120, other types of information can be pushed to any of the client devices 300 of a particular group 110. This information may include, for example, a notification that another client device 300 has joined the group 110 to which the client device 300 receiving the notification is joined, and that a new group 110 is available to the client device 300 receiving the
30 notification. In one implementation, these notifications, including a notification of new content 120, may be provided via the user interface of the receiving client module 300, such as via an "inbox" window or similar area of the user interface.

FIGS. 9A through 9L provide screen views of an example user interface of a client device 300A under various circumstances as described above. For

example, FIGS. 9A through 9E provide a series of user interface views in which a user initiates an application on a client device, such as a “smart” phone, and provides information to identify the client device 300A from among a group of client devices 300 represented on the user interface. The application provides the content-sharing functionality described in at least one of the above examples. More specifically, FIG. 9A, provides a start-up screen when the application is initiated. The user interface of FIG. 9B presents an input field 902 for a first name of the user of the client device 300A. FIG. 9C shows a subsequent screen in which the input field 902 has been populated. Once the input field 902 is filled, the application prompts the user to provide a self-photo (as shown in FIG. 9D) so that the user may be represented by a photo “icon” on subsequent screens. The self-photo is displayed in FIG. 9E. At this point, the application is ready for the user to utilize in joining groups and sharing content. In FIGS. 9F through 9L to follow, the content being shared are still photo images and annotations, although other types of content may be shared as well.

FIG. 9F provides a screen view of the user interface while photos are being captured and distributed among a group of client devices 300 of a group 110. The photo strip 904 along the right side of the screen are the most recent photos that are being received in real-time from the various members of the group 110, with the most recent photo being highlighted in a large display window 906. A “ribbon” 908 of photo icons, each representing a member of the current group 110, is also presented to the user. In some examples, such as the example of FIG. 9F, each of the photos of the ribbon 908 is adjusted to reflect a relative connection strength or affinity of the client device 300A relative to the group 110, based on one or more factors associated with the image, such as, for example, physical location and environmental data of the device associated with the image. In FIG. 9F, the higher relevance of the leftmost photo (associated with the present client device 300A) is indicated by the brightness and color content of the image in comparison to the remaining photos of the ribbon 908, which are essentially devoid of color, and are darkened. Other ways of distinguishing the connection strength or affinity of the client devices 300, such as sharpness or size, may also be employed. A group field 910 displays the names of members of the current group 110. One of the icons (the silhouetted

image) shows that neither a name nor a photo icon is associated with that particular client device 300.

FIG. 9G provides multiple content “diaries” 912, wherein each diary 912 contains multiple content items that were distributed to a particular group 110 of client devices 300. The top diary represents the most recent group 110 with which the current client device 300 is or was associated. Each diary 912 is marked with the number of content items, the type of content, the names for each client device 300 associated with the group 110, and how long ago the most recent image for that group 110 was captured.

FIG. 9H provides a screen view in the event of a group 110 created by the client device 300A, and that currently contains only the present client device 300A, as shown via a group member area 914. The content area 916 shown below the group member area 914 lists the content items that have been posted for that group 110, which have all been captured by the current client device 300A.

FIG. 9I provides a list of annotations 918 posted by various members of a group 110 in a type of “inbox” format. The annotations 918 are arranged alphabetically according to the name of the client device 300 posting the annotation, although other arrangements, such as chronologically, are also possible. The annotations 918 may include, for example, comments to photos, “likes,” and star ratings. As presented in FIG. 9I, each annotation 918 provides the name of the poster of the annotation 918, the name of the client device 300 to whom the annotation 918 is directed, how long ago the annotation 918 was posted, a photo icon representing the poster, and the annotation 918.

FIG. 9J provides a screen view of a list of content items 920 (in this case, photos), with each photo marked with a user icon 922 of the poster of the photo, along with the name of the poster and how long ago the photo was captured.

FIG. 9K depicts a screen view of several content diaries 924, similar to those shown in FIG. 9G.

FIG. 9L illustrates another screen view of photos being posted in real-time to a current group 110, similar to the example of FIG. 9F. The user interface includes a photo strip 932 of the most recent photos being posted to the group 110, a large display window 926 of one of the photos, a photo icon ribbon 928 displaying the four members of the group 110 and their relative connection

strength or affinity via the icons, and a group field 930 listing the members of the group 110.

As a result of at least some of the embodiments discussed herein, sharing of content, such as still images, video clip, audio segments, and textual data, may
5 be shared easily among a number of client devices that form their own “network” based on previous or current physical proximity, previous contacts between the various devices, and/or other factors. Such groups may be formed “on-the-fly” without the users of the client devices forming or configuring the group beforehand, without explicit authorization of the client devices, and
10 without providing personally identifiable information of the users.

MODULES, COMPONENTS, AND LOGIC

Certain embodiments are described herein as including logic or a number of components, modules, or mechanisms. Modules may constitute either
15 software modules (e.g., code embodied on a machine-readable medium or in a transmission signal) or hardware modules. A hardware module is a tangible unit capable of performing certain operations and may be configured or arranged in a certain manner. In example embodiments, one or more computer systems (e.g., a standalone, client, or server computer system) or one or more hardware
20 modules of a computer system (e.g., a processor or a group of processors) may be configured by software (e.g., an application or application portion) as a hardware module that operates to perform certain operations as described herein.

In various embodiments, a hardware module may be implemented mechanically or electronically. For example, a hardware module may comprise
25 dedicated circuitry or logic that is permanently configured (e.g., as a special-purpose processor, such as a field programmable gate array (FPGA) or an application-specific integrated circuit (ASIC)) to perform certain operations. A hardware module may also comprise programmable logic or circuitry (e.g., as encompassed within a general-purpose processor or other programmable
30 processor) that is temporarily configured by software to perform certain operations. It will be appreciated that the decision to implement a hardware module mechanically, in dedicated and permanently configured circuitry, or in temporarily configured circuitry (e.g., configured by software) may be driven by cost and time considerations.

Accordingly, the term "hardware module" should be understood to encompass a tangible entity, be that an entity that is physically constructed, permanently configured (e.g., hardwired) or temporarily configured (e.g., programmed) to operate in a certain manner and/or to perform certain operations described herein. Considering embodiments in which hardware modules are temporarily configured (e.g., programmed), each of the hardware modules need not be configured or instantiated at any one instance in time. For example, where the hardware modules comprise a general-purpose processor configured using software, the general-purpose processor may be configured as respective different hardware modules at different times. Software may accordingly configure a processor, for example, to constitute a particular hardware module at one instance of time and to constitute a different hardware module at a different instance of time.

Hardware modules can provide information to, and receive information from, other hardware modules. Accordingly, the described hardware modules may be regarded as being communicatively coupled. Where multiple such hardware modules exist contemporaneously, communications may be achieved through signal transmission (e.g., over appropriate circuits and buses) that connect the hardware modules. In embodiments in which multiple hardware modules are configured or instantiated at different times, communications between such hardware modules may be achieved, for example, through the storage and retrieval of information in memory structures to which the multiple hardware modules have access. For example, one hardware module may perform an operation and store the output of that operation in a memory device to which it is communicatively coupled. A further hardware module may then, at a later time, access the memory device to retrieve and process the stored output. Hardware modules may also initiate communications with input or output devices, and can operate on a resource (e.g., a collection of information).

The various operations of example methods described herein may be performed, at least partially, by one or more processors that are temporarily configured (e.g., by software) or permanently configured to perform the relevant operations. Whether temporarily or permanently configured, such processors may constitute processor-implemented modules that operate to perform one or

more operations or functions. The modules referred to herein may, in some example embodiments, comprise processor-implemented modules.

Similarly, the methods described herein may be at least partially processor-implemented. For example, at least some of the operations of a method may be performed by one or processors or processor-implemented modules. The performance of certain of the operations may be distributed among the one or more processors, not only residing within a single machine, but deployed across a number of machines. In some example embodiments, the processor or processors may be located in a single location (e.g., within a home environment, an office environment, or as a server farm), while in other embodiments the processors may be distributed across a number of locations.

The one or more processors may also operate to support performance of the relevant operations in a "cloud computing" environment or as a "software as a service" (SaaS). For example, at least some of the operations may be performed by a group of computers (as examples of machines including processors), these operations being accessible via a network (e.g., the Internet) and via one or more appropriate interfaces (e.g., APIs).

ELECTRONIC APPARATUS AND SYSTEM

Example embodiments may be implemented in digital electronic circuitry, or in computer hardware, firmware, or software, or in combinations thereof. Example embodiments may be implemented using a computer program product (e.g., a computer program tangibly embodied in an information carrier in a machine-readable medium) for execution by, or to control the operation of, data processing apparatus (e.g., a programmable processor, a computer, or multiple computers).

A computer program can be written in any form of programming language, including compiled or interpreted languages, and it can be deployed in any form, including as a stand-alone program or as a module, subroutine, or other unit suitable for use in a computing environment. A computer program can be deployed to be executed on one computer or on multiple computers at one site or distributed across multiple sites and interconnected by a communications network.

In example embodiments, operations may be performed by one or more programmable processors executing a computer program to perform functions by operating on input data and generating output. Method operations can also be performed by, and apparatus of example embodiments may be implemented as,
5 special purpose logic circuitry (e.g., a field programmable gate array (FPGA) or an application-specific integrated circuit (ASIC)).

The computing system can include clients and servers. A client and server are generally remote from each other and typically interact through a communication network. The relationship of client and server arises by virtue of
10 computer programs running on their respective computers and having a client-server relationship to each other. In embodiments deploying a programmable computing system, it will be appreciated that both hardware and software architectures may be considered. Specifically, it will be appreciated that the choice of whether to implement certain functionality in permanently configured
15 hardware (e.g., an ASIC), in temporarily configured hardware (e.g., a combination of software and a programmable processor), or a combination of permanently and temporarily configured hardware may be a design choice. Below are set forth hardware (e.g., machine) and software architectures that may be deployed in various example embodiments.

20

EXAMPLE MACHINE ARCHITECTURE AND MACHINE-READABLE MEDIUM

FIG. 10 is a block diagram of a machine in the example form of a computer system 1000 within which instructions for causing the machine to
25 perform any one or more of the methodologies discussed herein may be executed. In alternative embodiments, the machine operates as a standalone device or may be connected (e.g., networked) to other machines. In a networked deployment, the machine may operate in the capacity of a server or a client machine in a server-client network environment, or as a peer machine in a peer-to-peer (or distributed) network environment. The machine may be a personal
30 computer (PC), a tablet PC, a set-top box (STB), a Personal Digital Assistant (PDA), a cellular telephone, a web appliance, a network router, switch or bridge, or any machine capable of executing instructions (sequential or otherwise) that specify actions to be taken by that machine. Further, while only a single

machine is illustrated, the term "machine" shall also be taken to include any collection of machines that individually or jointly execute a set (or multiple sets) of instructions to perform any one or more of the methodologies discussed herein.

5 The example computer system 1000 includes a processor 1002 (e.g., a central processing unit (CPU), a graphics processing unit (GPU), or both), a main memory 1004, and a static memory 1006, which communicate with each other via a bus 1008. The computer system 1000 may further include a video display unit 1010 (e.g., a liquid crystal display (LCD) or a cathode ray tube
10 (CRT)). The computer system 1000 also includes an alphanumeric input device 1012 (e.g., a keyboard), a user interface (UI) navigation device 1014 (e.g., a mouse), a disk drive unit 1016, a signal generation device 1018 (e.g., a speaker), and a network interface device 1020. The computer system 1000 may also include a environmental input device 1026 that may provide a number of inputs
15 describing the environment in which the computer system 1000 or another device exists, including, but not limited to, any of a Global Positioning Sensing (GPS) receiver, a temperature sensor, a light sensor, a still photo or video camera, an audio sensor (e.g., a microphone), a velocity sensor, a gyroscope, an accelerometer, and a compass.

20

MACHINE-READABLE MEDIUM

The disk drive unit 1016 includes a machine-readable medium 1022 on which is stored one or more sets of data structures and instructions 1024 (e.g., software) embodying or utilized by any one or more of the methodologies or
25 functions described herein. The instructions 1024 may also reside, completely or at least partially, within the main memory 1004 and/or within the processor 1002 during execution thereof by the computer system 1000, the main memory 1004 and the processor 1002 also constituting machine-readable media.

While the machine-readable medium 1022 is shown in an example
30 embodiment to be a single medium, the term "machine-readable medium" may include a single medium or multiple media (e.g., a centralized or distributed database, and/or associated caches and servers) that store the one or more instructions 1024 or data structures. The term "non-transitory machine-readable medium" shall also be taken to include any tangible medium that is capable of

storing, encoding, or carrying instructions for execution by the machine and that cause the machine to perform any one or more of the methodologies of the present subject matter, or that is capable of storing, encoding, or carrying data structures utilized by or associated with such instructions. The term "non-
5 transitory machine-readable medium" shall accordingly be taken to include, but not be limited to, solid-state memories, and optical and magnetic media. Specific examples of non-transitory machine-readable media include, but are not limited to, non-volatile memory, including by way of example, semiconductor memory devices (e.g., Erasable Programmable Read-Only Memory (EPROM),
10 Electrically Erasable Programmable Read-Only Memory (EEPROM), and flash memory devices), magnetic disks such as internal hard disks and removable disks, magneto-optical disks, and CD-ROM and DVD-ROM disks.

TRANSMISSION MEDIUM

15 The instructions 1024 may further be transmitted or received over a computer network 1050 using a transmission medium. The instructions 1024 may be transmitted using the network interface device 1020 and any one of a number of well-known transfer protocols (e.g., HTTP). Examples of communication networks include a local area network (LAN), a wide area
20 network (WAN), the Internet, mobile telephone networks, Plain Old Telephone Service (POTS) networks, and wireless data networks (e.g., WiFi and WiMAX networks). The term "transmission medium" shall be taken to include any intangible medium that is capable of storing, encoding, or carrying instructions for execution by the machine, and includes digital or analog communications
25 signals or other intangible media to facilitate communication of such software.

CONCLUSION

Thus, a method and system to share content among several communication devices have been described. Although the present subject
30 matter has been described with reference to specific example embodiments, it will be evident that various modifications and changes may be made to these embodiments without departing from the broader scope of the subject matter. For example, while the majority of the discussion above notes the use of the embodiments with respect to general-purpose computer systems and

applications, other software- or firmware-based systems, such as electronic products and systems employing embedded firmware, may also be developed in a similar manner to that discussed herein. Accordingly, the specification and drawings are to be regarded in an illustrative rather than a restrictive sense. The accompanying drawings that form a part hereof, show by way of illustration, and not of limitation, specific embodiments in which the subject matter may be practiced. The embodiments illustrated are described in sufficient detail to enable those skilled in the art to practice the teachings disclosed herein. Other embodiments may be utilized and derived therefrom, such that structural and logical substitutions and changes may be made without departing from the scope of this disclosure. This Detailed Description, therefore, is not to be taken in a limiting sense.

Such embodiments of the inventive subject matter may be referred to herein, individually and/or collectively, by the term “invention” merely for convenience and without intending to voluntarily limit the scope of this application to any single invention or inventive concept if more than one is in fact disclosed. Thus, although specific embodiments have been illustrated and described herein, it should be appreciated that any arrangement calculated to achieve the same purpose may be substituted for the specific embodiments shown. This disclosure is intended to cover any and all adaptations or variations of various embodiments. Combinations of the above embodiments, and other embodiments not specifically described herein, will be apparent to those of skill in the art upon reviewing the above description.

All publications, patents, and patent documents referred to in this document are incorporated by reference herein in their entirety, as though individually incorporated by reference. In the event of inconsistent usages between this document and those documents so incorporated by reference, the usage in the incorporated reference(s) should be considered supplementary to that of this document; for irreconcilable inconsistencies, the usage in this document controls.

In this document, the terms “a” or “an” are used, as is common in patent documents, to include one or more than one, independent of any other instances or usages of “at least one” or “one or more.” In this document, the term “or” is

used to refer to a nonexclusive or, such that “A or B” includes “A but not B,” “B but not A,” and “A and B,” unless otherwise indicated.

CLAIMS

What is claimed is:

1. A method, comprising:
 - accessing logical relationship information describing logical relationships between user devices;
 - determining, using at least one processor, membership in a device group of a plurality of the user devices based on the logical relationship information;
 - receiving content from at least one of the user devices of the device group over a communication network; and
 - forwarding the content received from the at least one of the user devices of the device group over the communication network to other user devices of the device group.
2. The method of claim 1, the determining of the membership in the device group comprising repeatedly adjusting the membership in the device group based on the logical relationship information.
3. The method of claim 1, the logical relationships between the user devices comprising interactions between at least two users of the user devices.
4. The method of claim 1, the logical relationships between the user devices comprising communications between at least two of the user devices.
5. The method of claim 1, the logical relationships between the user devices comprising physical proximity of at least two of the user devices.
6. The method of claim 5, the physical proximity of the at least two of the user devices defined by at least one of location data of the at least two of the user devices and environmental data captured by the at least two of the user devices.

7. The method of claim 5, the determining of the membership in the device group comprising maintaining the membership of at least one of the user devices in the device group after the physical proximity of the at least one of the user devices with others of the user devices has ended.

8. The method of claim 1, the determining of the membership in the device group comprising calculating an affinity between at least two of the user devices based on the logical relationship information.

9. The method of claim 8, the calculating of the affinity comprising assigning greater importance to more recent interactions between user devices represented in the logical relationship information over less recent interactions between user devices represented in the logical relationship information.

10. The method of claim 8, the calculating of the affinity comprising assigning greater importance to contributing content to the device group over not contributing content to the device group.

11. The method of claim 10, the contributing of content comprising supplying annotations to the content.

12. The method of claim 1, the determining of the membership in the device group comprising considering user preferences associated with the user devices, the user preferences comprising at least one of joining a device group associated with a first user device and declining to join a device group associated with a second user device.

13. The method of claim 1, the determining of the membership in the device group comprising associating the device group with a predetermined location.

14. The method of claim 1, the determining of the membership in the device group comprising removing from the device group one of the user devices.

15. The method of claim 14, further comprising receiving a request from another one of the user devices belonging to the device group to remove the one of the user devices from the device group, the removing from the device group of the one of the user devices being based on the request.

16. The method of claim 14, further comprising detecting objectionable behavior corresponding to the one of the user devices., the removing from the device group of the one of the user devices being based on the detection of the objectionable behavior.

17. A user device comprising:
an environmental input device to capture content;
a location services module to generate location information indicating a location of the user device when the content is captured; and
a content push module to transmit the content to a server system for distribution to a plurality of user devices of a device group to which the user device belongs based on at least one logical relationship between the user device and the plurality of user devices, the content push module to transmit the location information to the server system in association with the content.

18. The user device of claim 17, the environmental input device to detect at least one environmental condition of the user device, the user device further comprising an environment detection module to generate environmental information indicating the at least one environmental condition prevailing when the content is captured, the content push module to transmit the environmental information to the server system in association with the content.

19. The user device of claim 17, further comprising a time synchronization module to generate timing information indicating when the content is captured, the content push module to transmit the timing information to the server system in association with the content.

20. A server system comprising:

at least one processor; and
data storage comprising modules including instructions to be executed by the at least one processor, the modules comprising:
an interface module to receive a message comprising location information indicating a geographic location of the first user device;
an affinity calculator module to calculate values representing logical connection strengths between the first user device and other user devices using the location information; and
a group ranker module to determine a first device group for the first user device based on the values representing the logical connection strengths, the first device group comprising a plurality of the other user devices.

21. The server system of claim 20, the interface module to receive from the first user device environmental information indicating at least one environmental condition related to the first user device, the affinity calculator module to calculate the values representing the logical connection strengths based on the environmental information.

22. The server system of claim 20, the group ranker module to determine the first device group for the first user device by generating group recommendations based at least in part on the values representing the logical connection strengths, the group recommendations comprising a first group recommendation for the first device group.

23. The server system of claim 22, the group ranker module to:
rank the group recommendations based on the values representing the logical connection strengths, the values representing the logical connection strengths being based on at least one of a number of communications between the first user device and the other user devices, a length of time of the communications between the first user device and the other user devices, and an indication as to whether users of the first user device and the other user devices are logically connected;
select the first group recommendation based on the first group recommendation being a highest-ranked of the group recommendations; and

associate the first user device with the first device group in response to the selecting of the first group recommendation.

24. The server system of claim 22, the group ranker module to: transmit the group recommendations to the first user device; receive a selection of the first device group from the first user device; and associate the first user device with the first device group in response to the selection.

25. The server system of claim 22, the group ranker module comprising:

a candidate indexer module to identify candidate groups for the first user device based at least in part on the values representing the logical connection strengths; and

a candidate scorer module to generate a score for each of the candidate groups based on association information relating the user device with each of the candidate groups, the association information being represented as a plurality of numerical values;

the group ranker module to compare the scores of the candidate groups to a threshold.

26. The server system of claim 25, the group ranker module to select at least one of the candidate groups as one of the group recommendations based on the scores of the at least one of the candidate groups meeting the threshold.

27. The server system of claim 25, the group ranker module to create a new device group for the first user device as a group recommendation based on the scores of none of the candidate groups meeting the threshold.

28. A non-transitory computer-readable data storage medium comprising instructions that, when executed by at least one processor of a machine, cause the machine to perform operations comprising:

defining a device group comprising a plurality of user devices based on logical relationships among the plurality of user devices;

storing in a data storage device a group data structure corresponding to the device group, the group data structure comprising a parent data structure; receiving an item of content from a first user device of the device group; storing in the data storage device the item of content as a child data structure of the parent data structure; and transmitting the item of content to other user devices of the device group based on the item of content being stored in the group data structure.

29. The non-transitory computer-readable data storage medium of claim 28, the child data structure comprising metadata corresponding to the item of content, the metadata comprising data received with the item of content from the first user device.

30. The non-transitory computer-readable data storage medium of claim 28, the operations further comprising identifying the device group for association with the first user device based on the metadata, the metadata indicating whether the first user device has contributed items of content to the device group, the first user device being more likely to be associated with the device group when the first user device has contributed items of content to the device group.

31. The non-transitory computer-readable data storage medium of claim 28, the operations further comprising identifying the device group for association with the item of content based on the metadata.

32. The non-transitory computer-readable data storage medium of claim 28, the defining of the device group being based on the logical relationships among the plurality of user devices using at least in part the metadata.

33. The non-transitory computer-readable data storage medium of claim 28, the metadata comprising at least one of an identity of the first user device, a time of generation of the item of content, location information indicating a location of the first user device at the time of generation of the item

of content, and environmental information indicating an environmental condition affecting the first user device at the time of generation of the item of content.

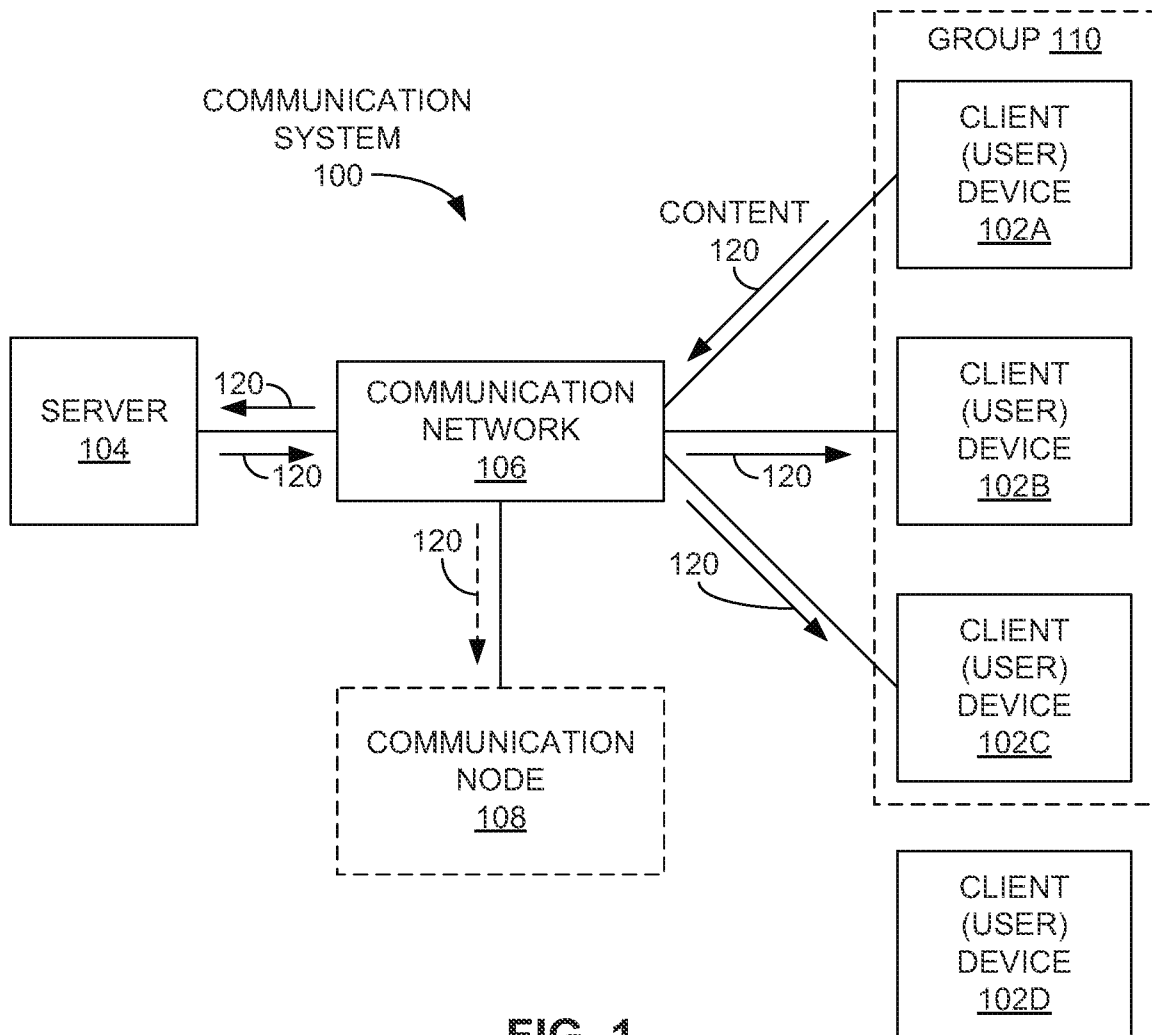


FIG. 1

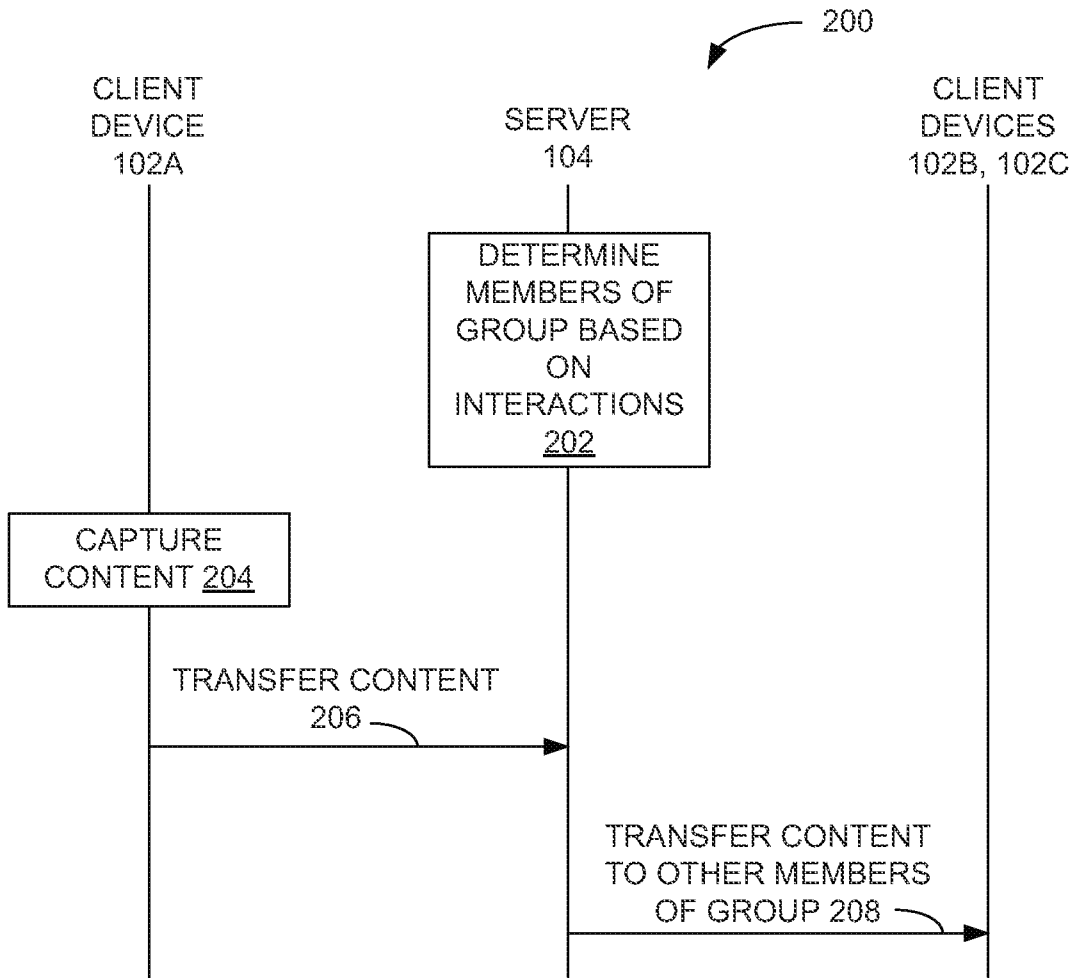


FIG. 2

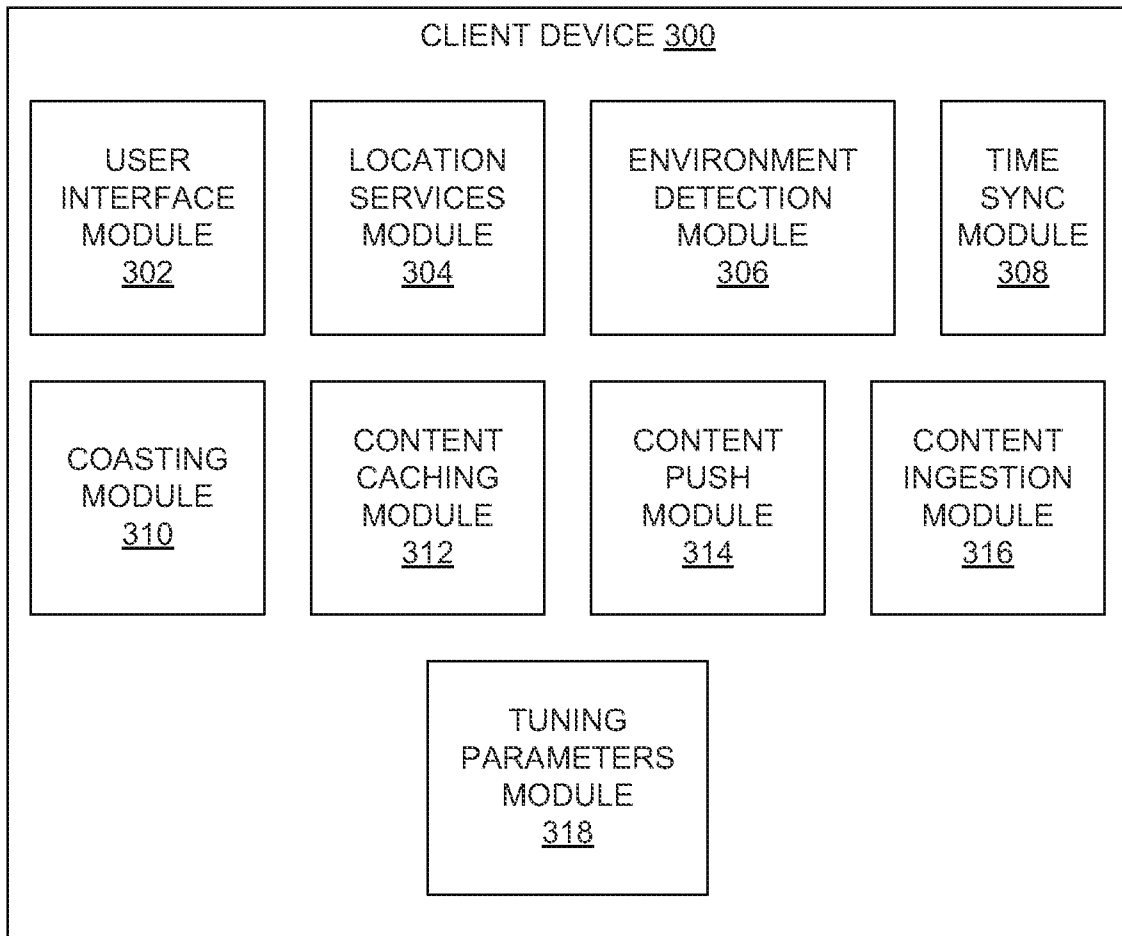


FIG. 3

4/21

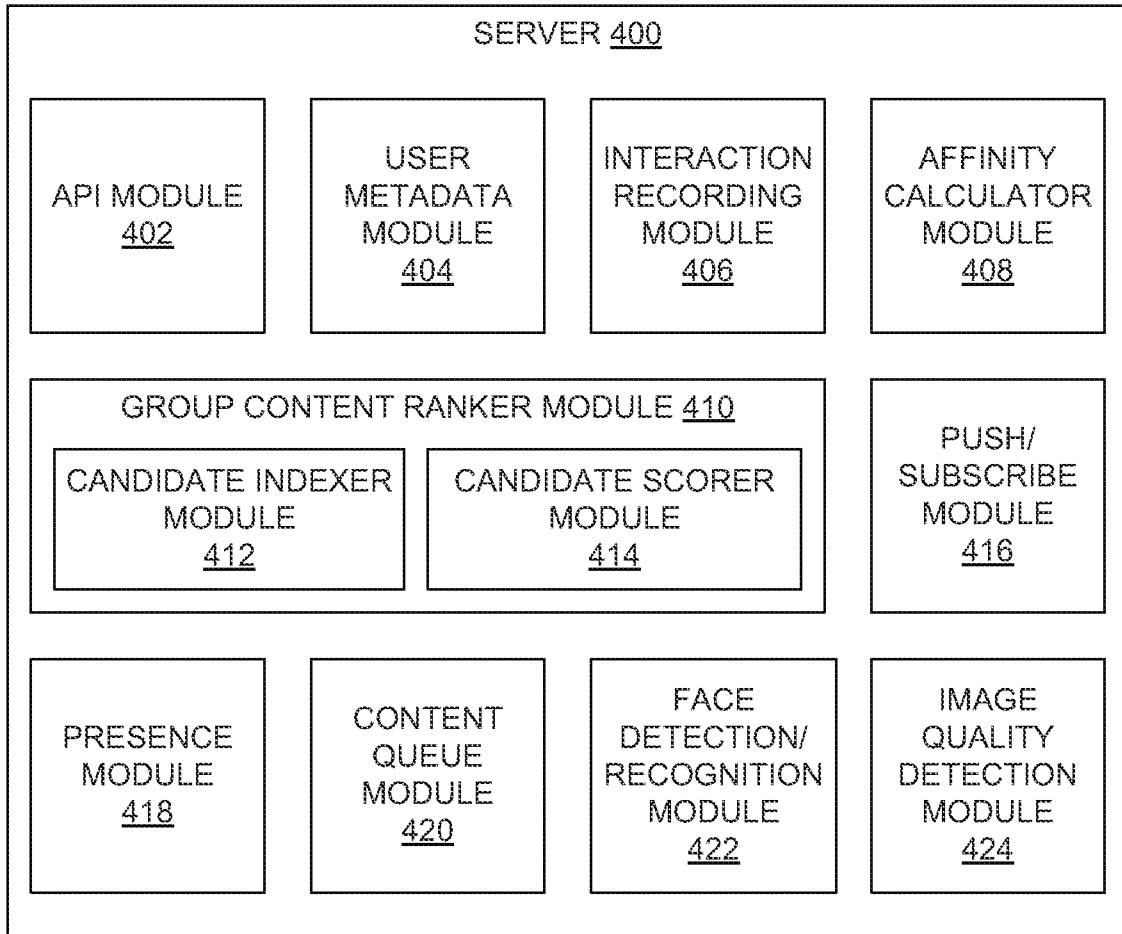


FIG. 4

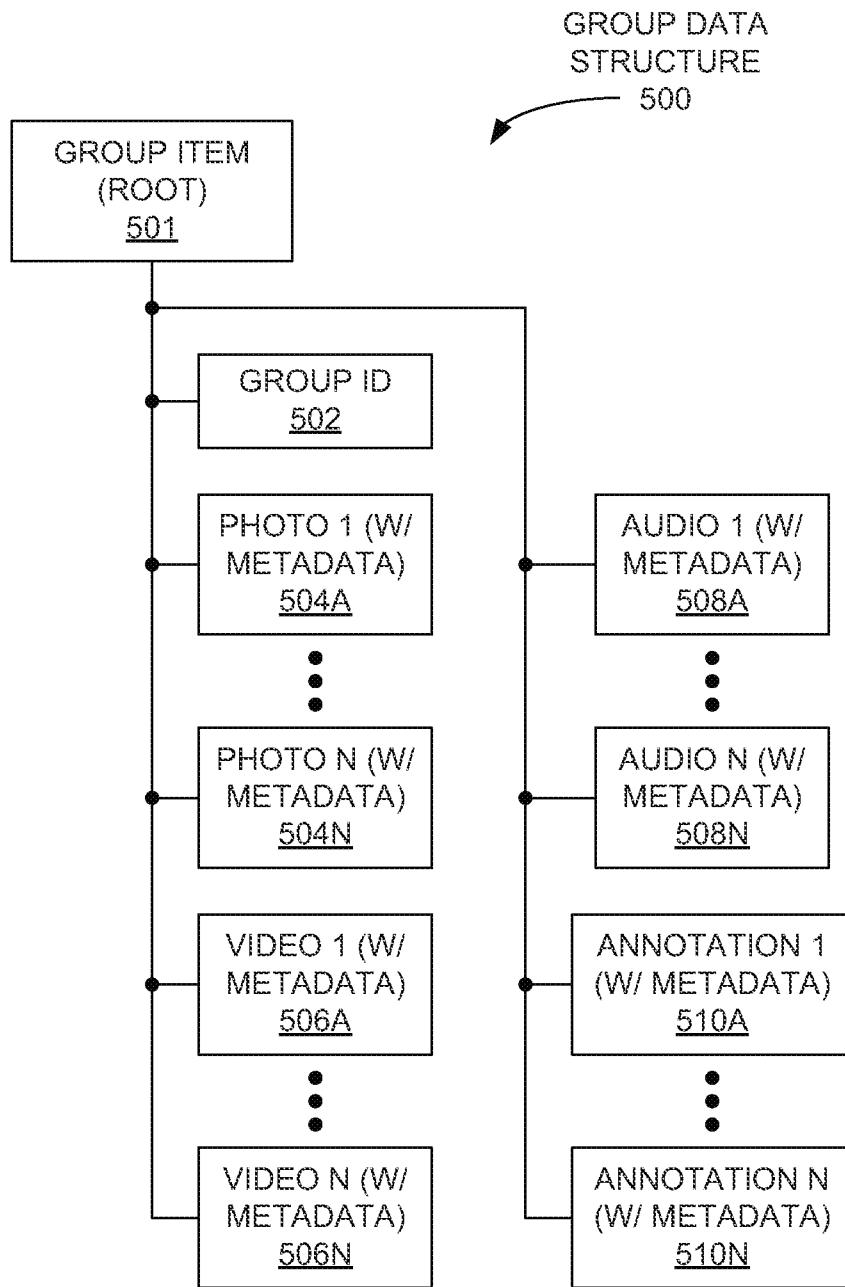


FIG. 5

6/21

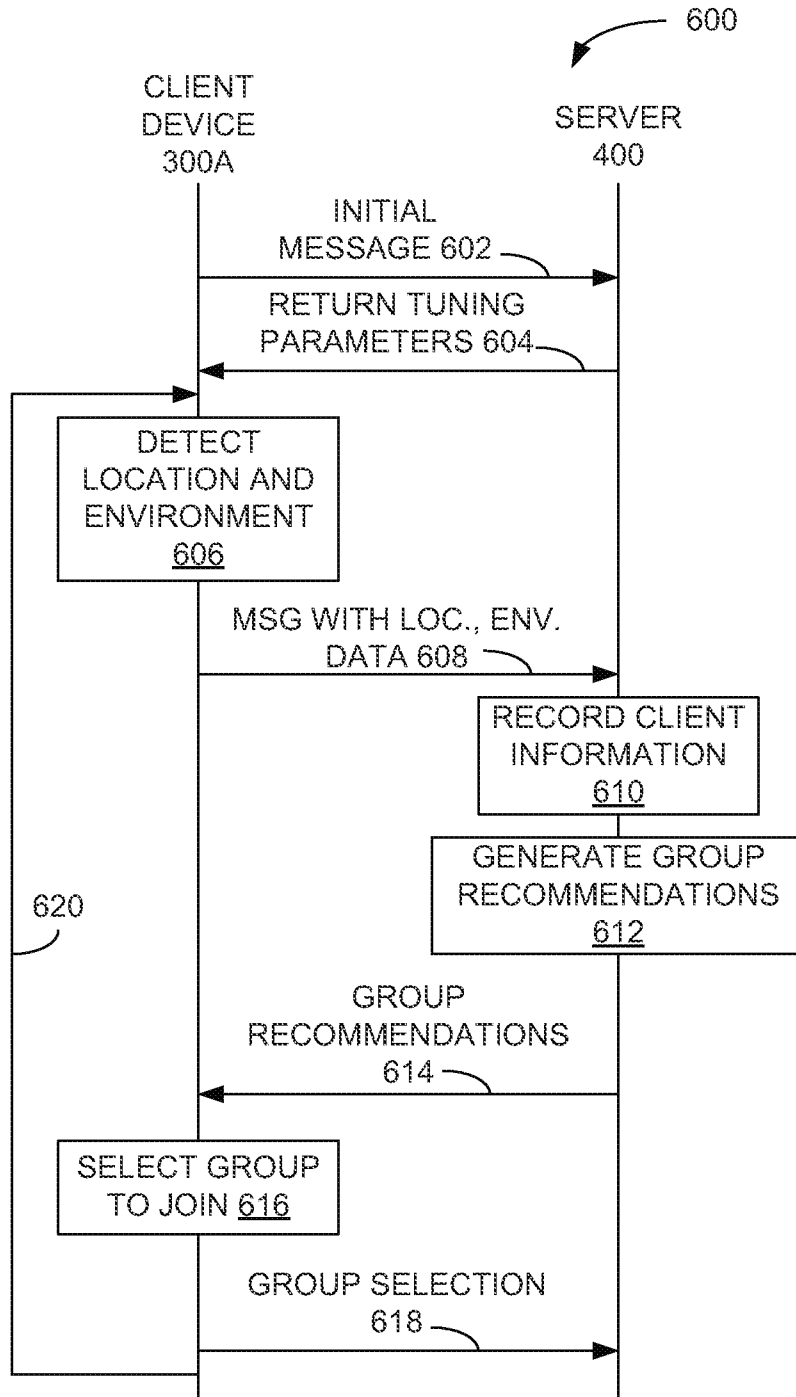


FIG. 6

7/21

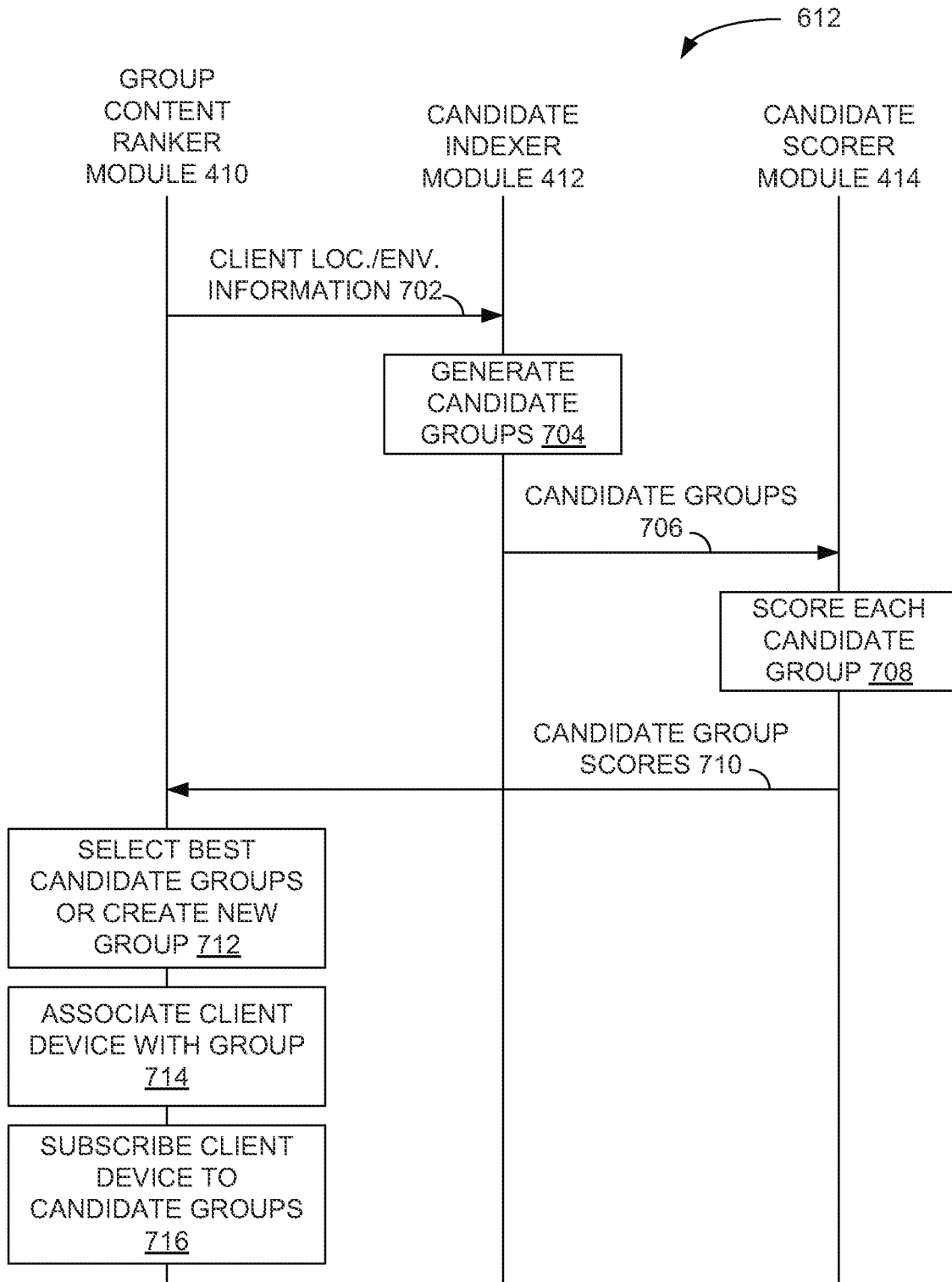


FIG. 7

8/21

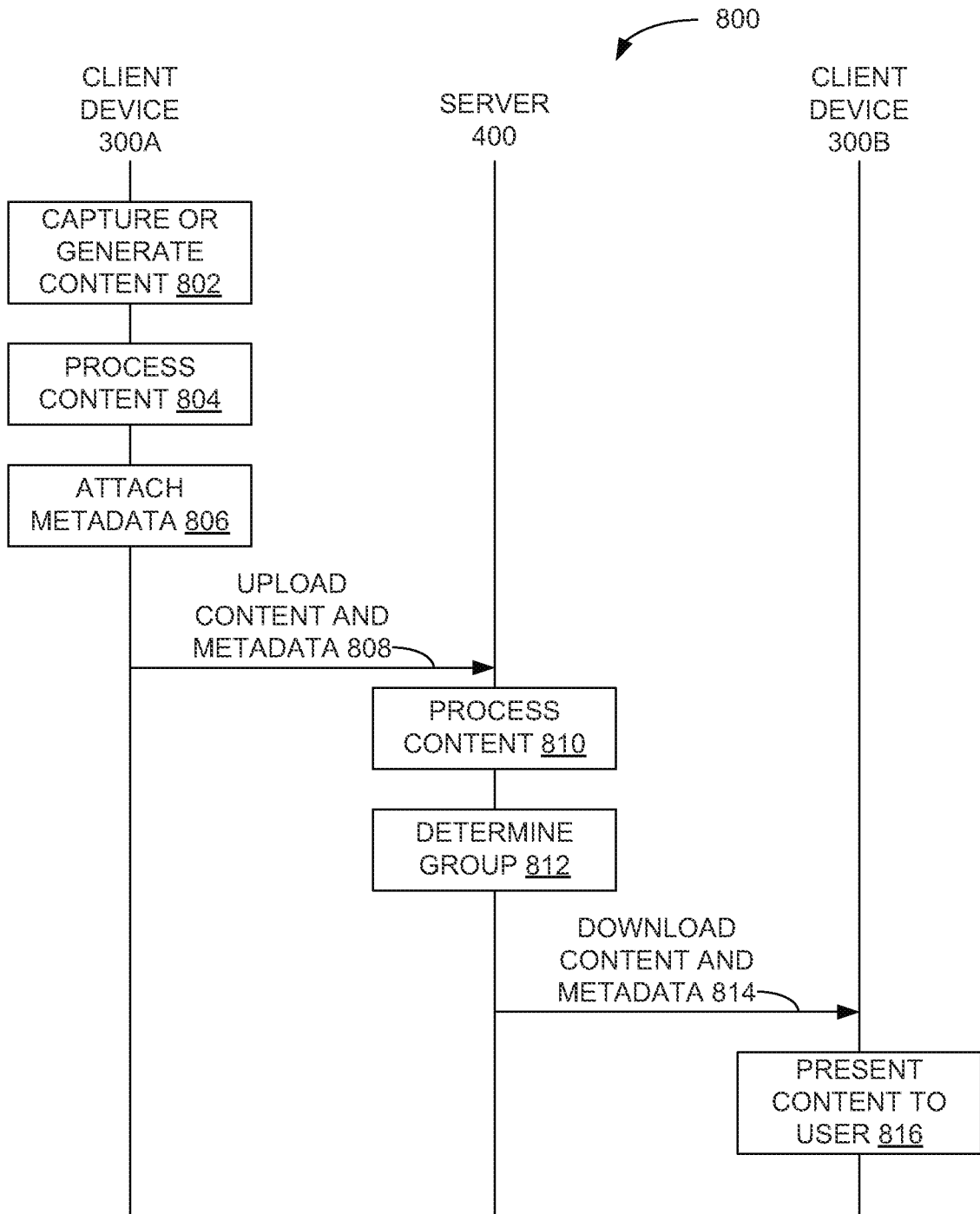


FIG. 8

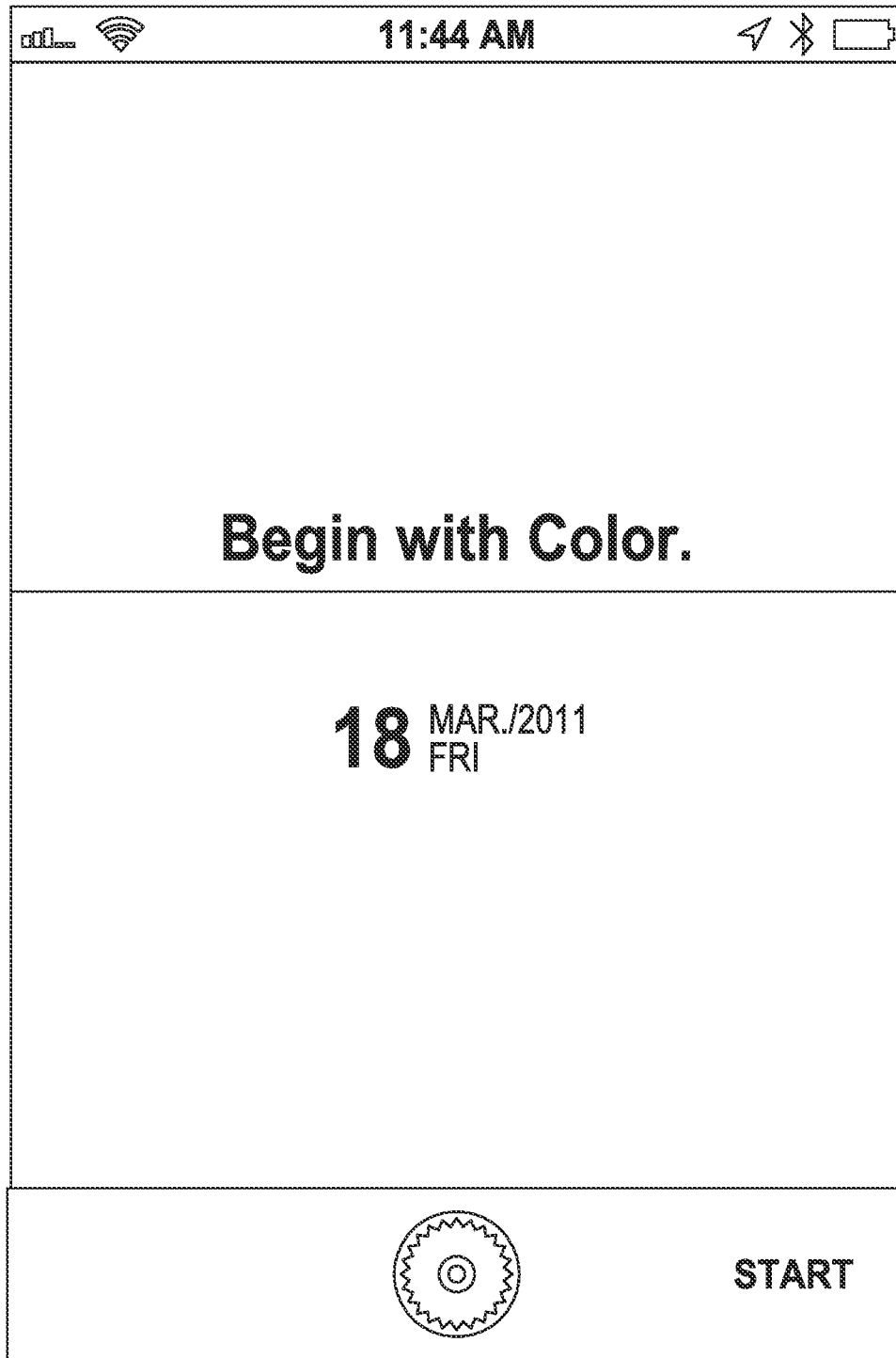


FIG. 9A

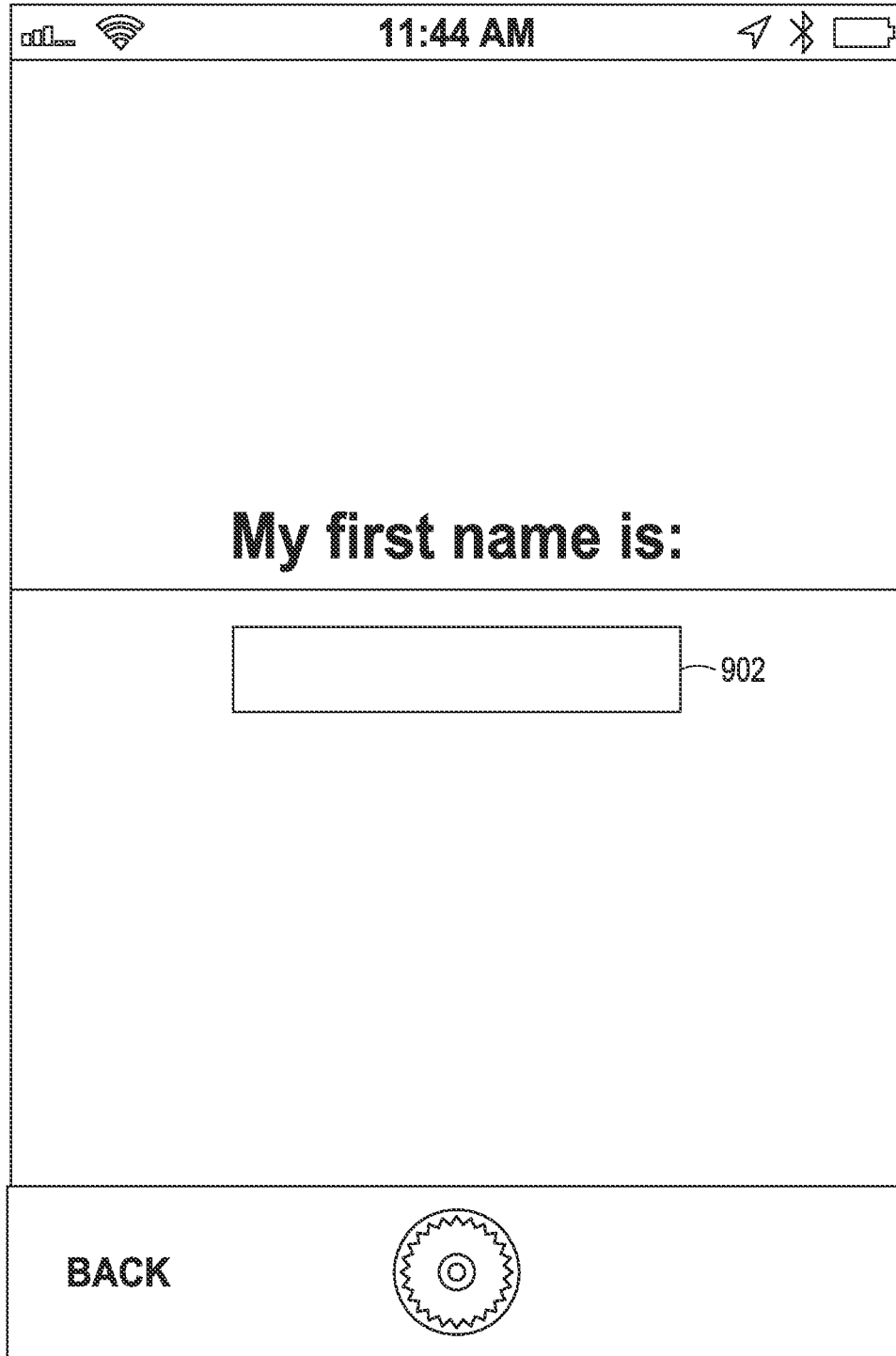


FIG. 9B



FIG. 9C

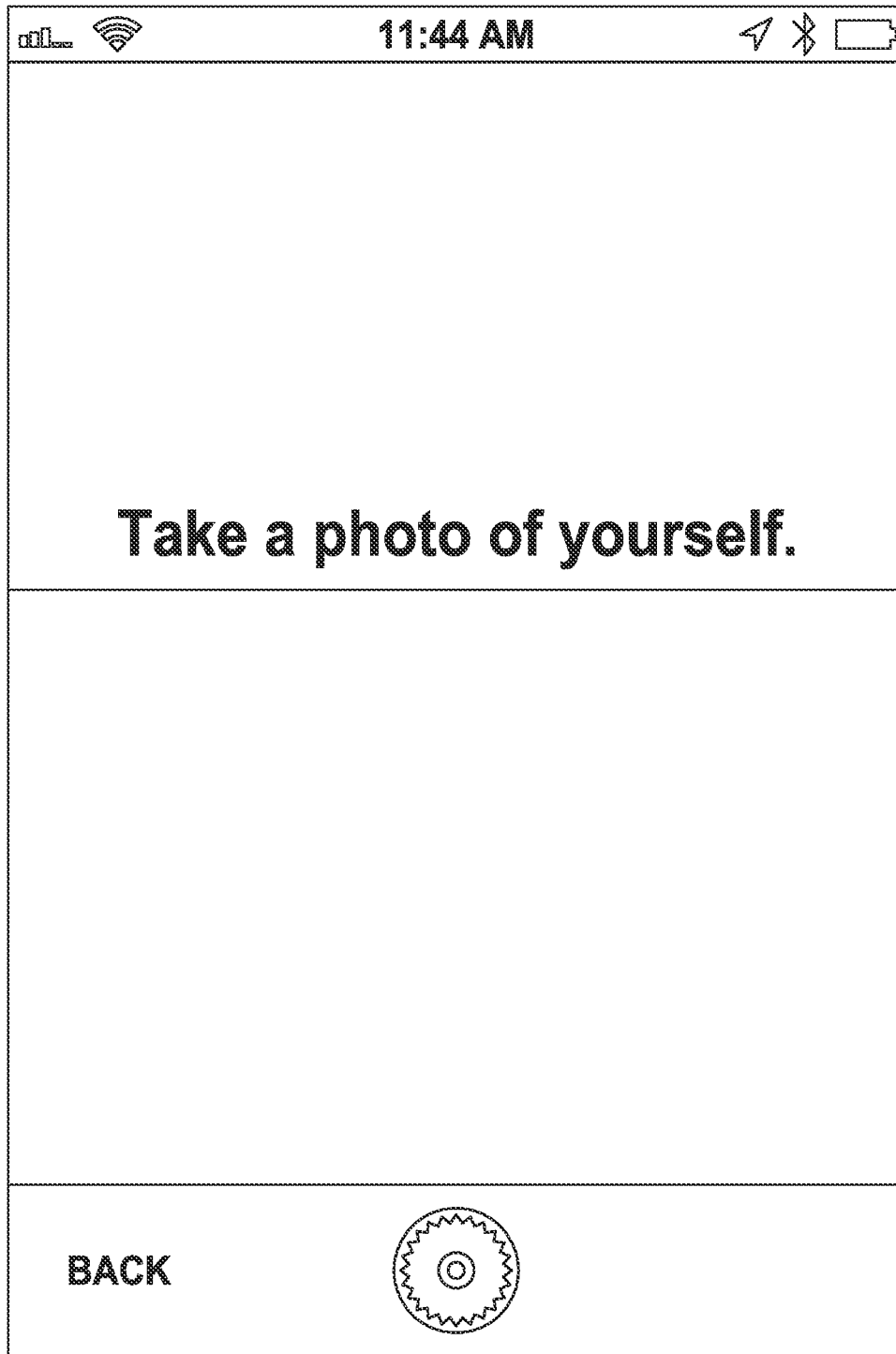


FIG. 9D

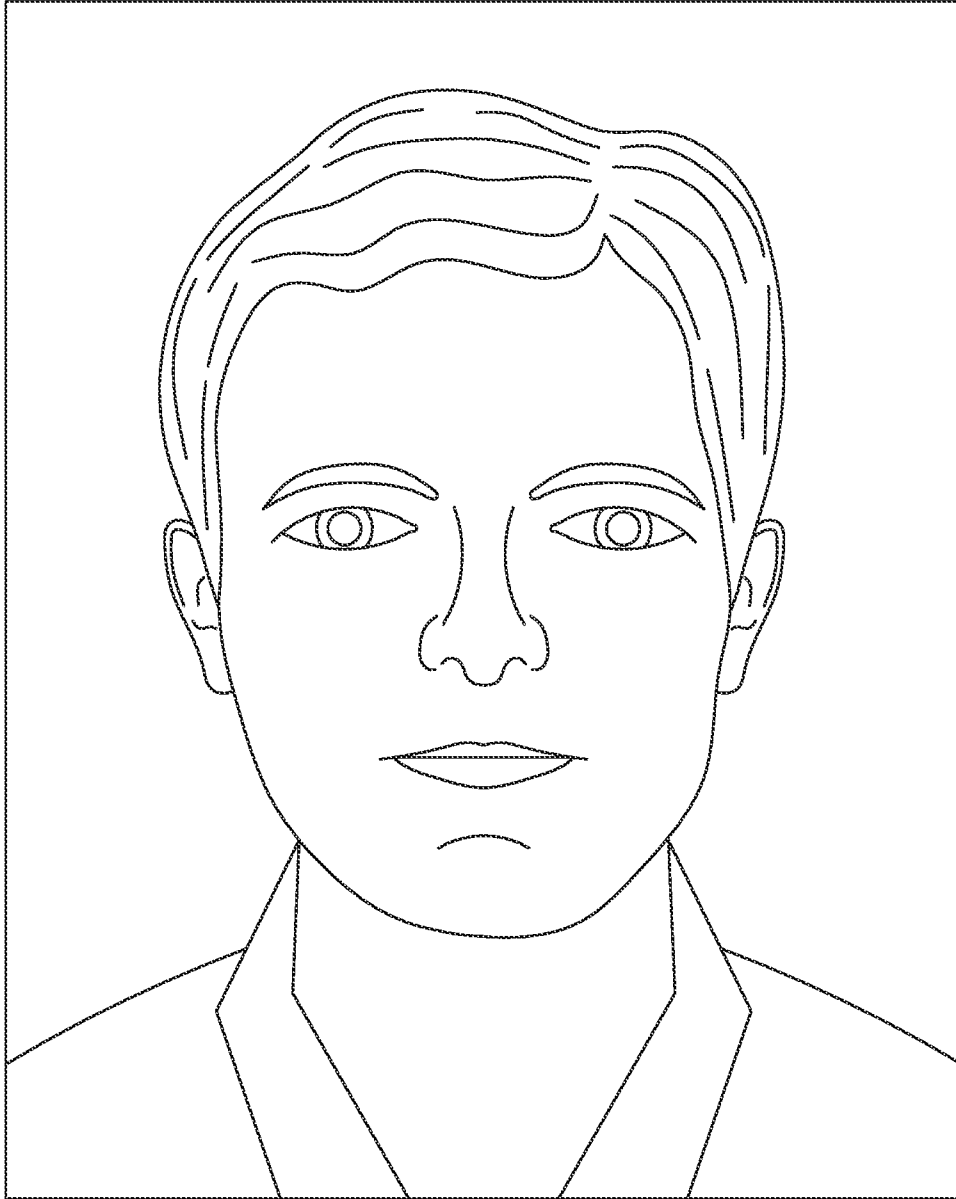


FIG. 9E

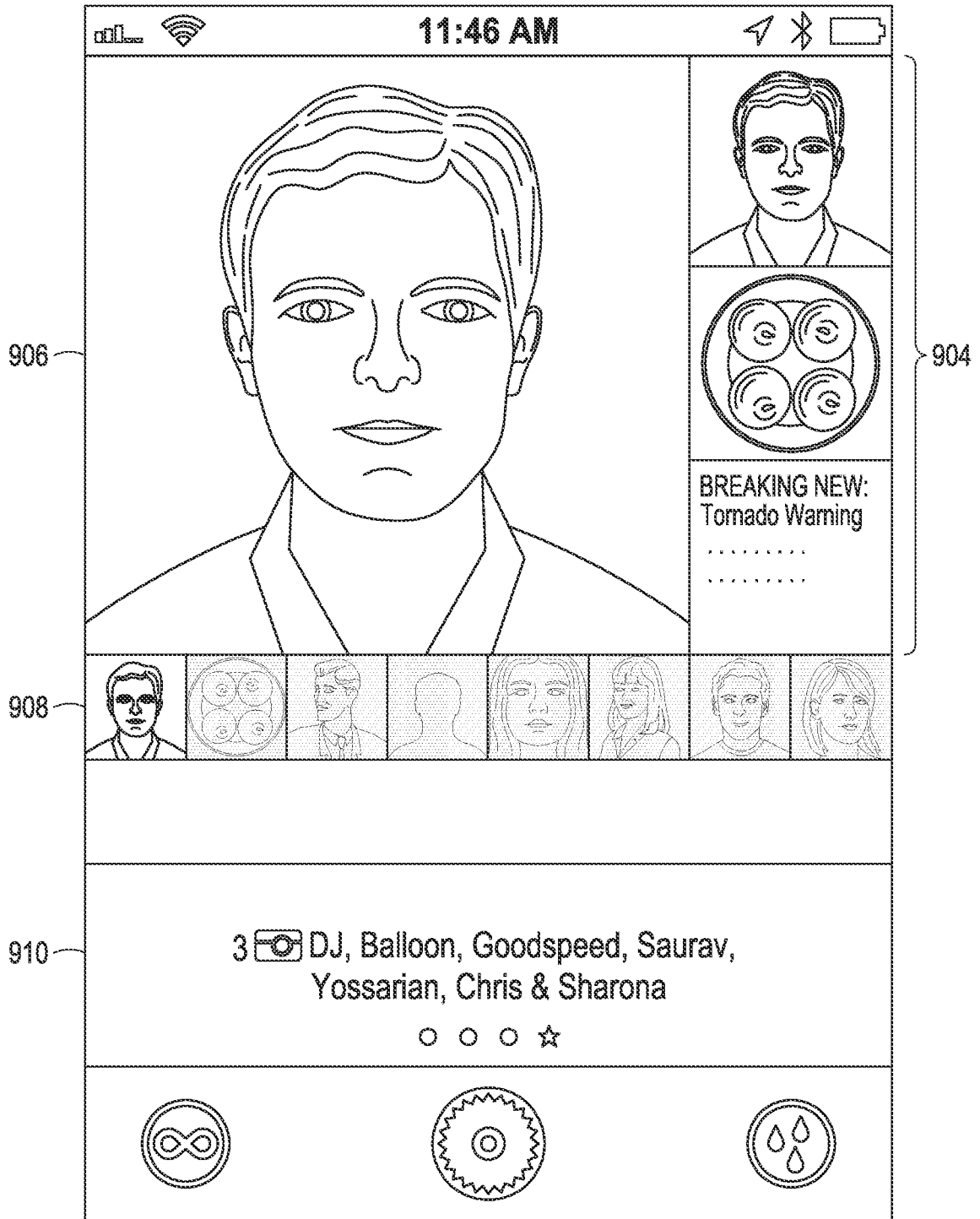


FIG. 9F

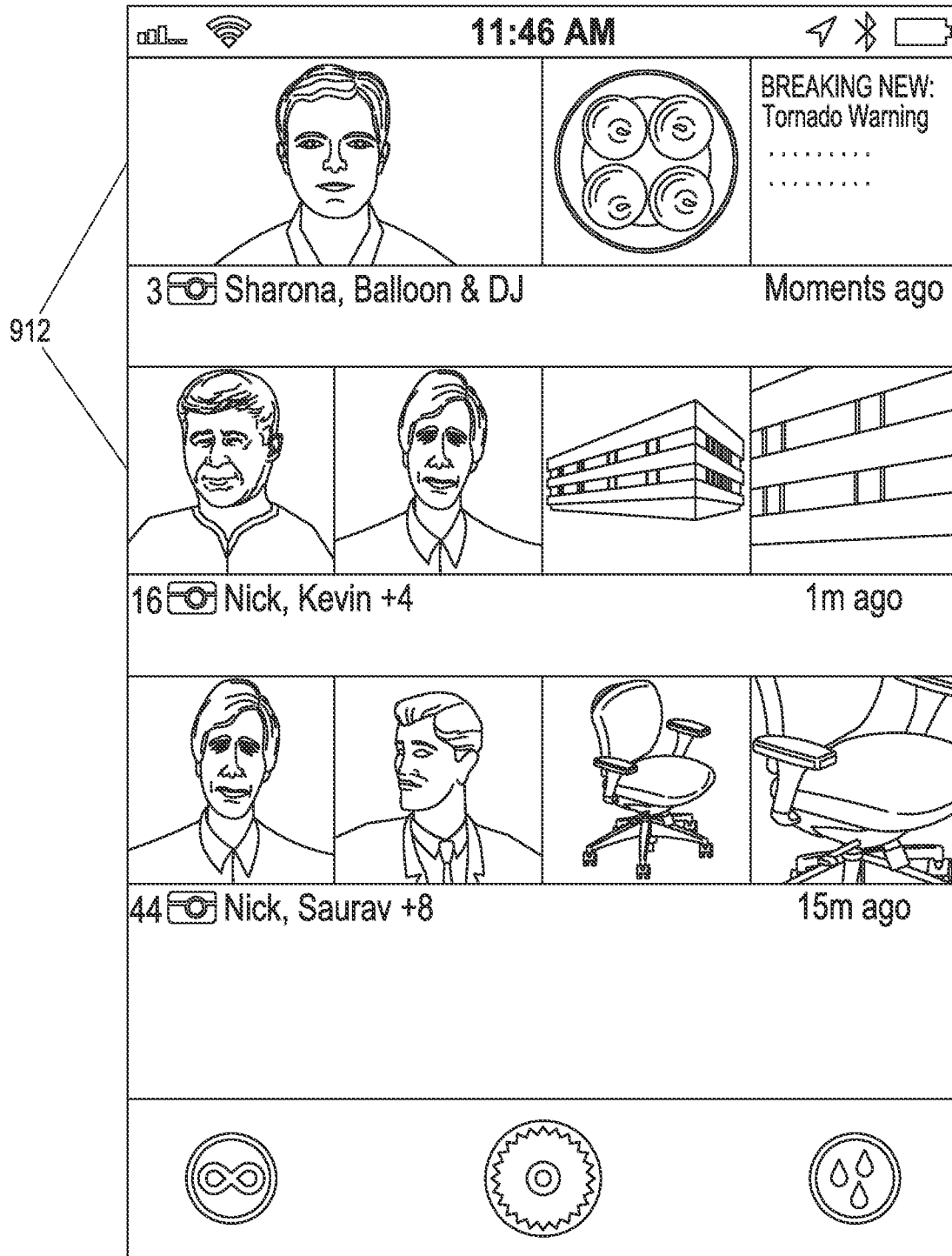


FIG. 9G

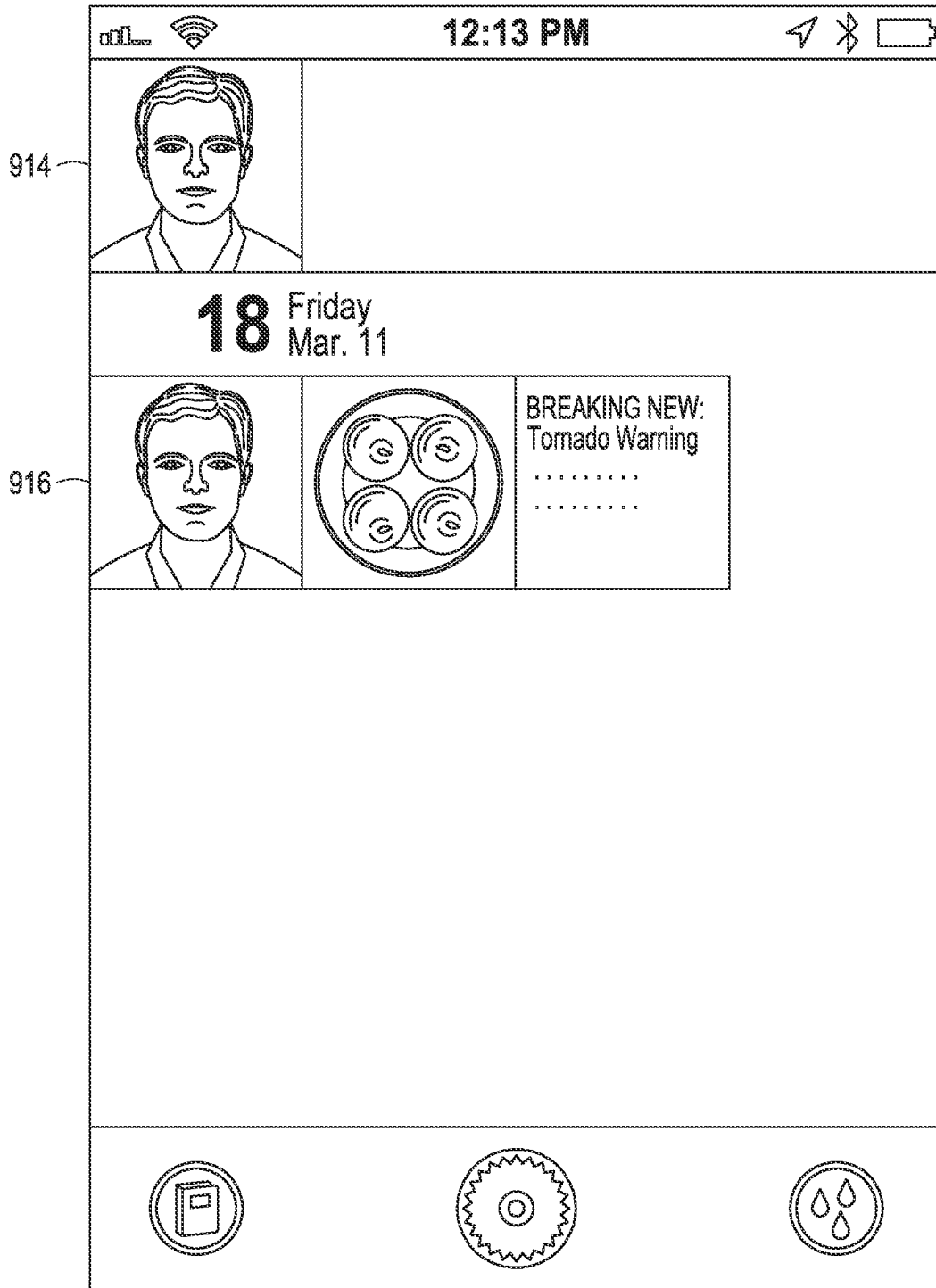


FIG. 9H

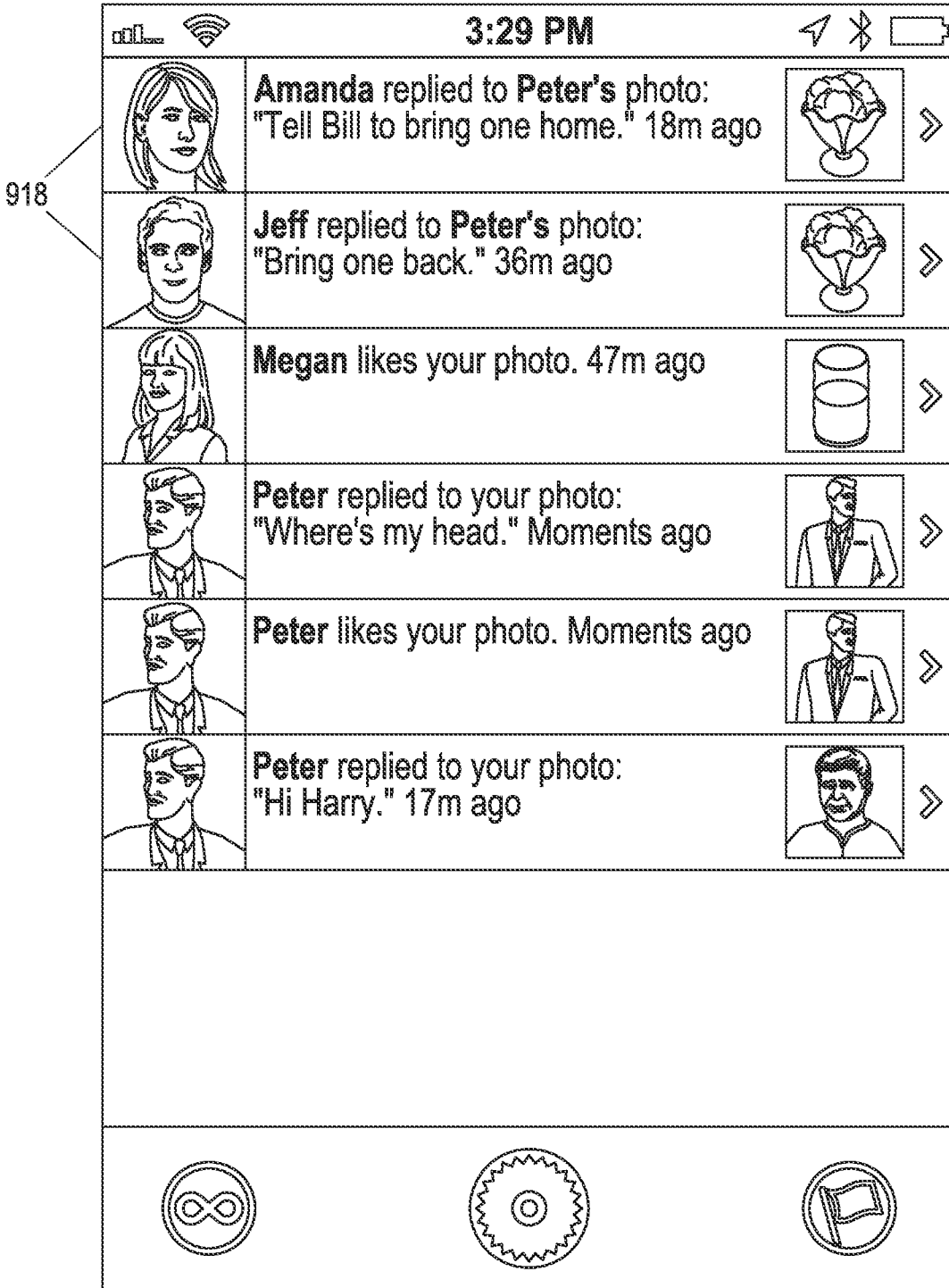


FIG. 9I

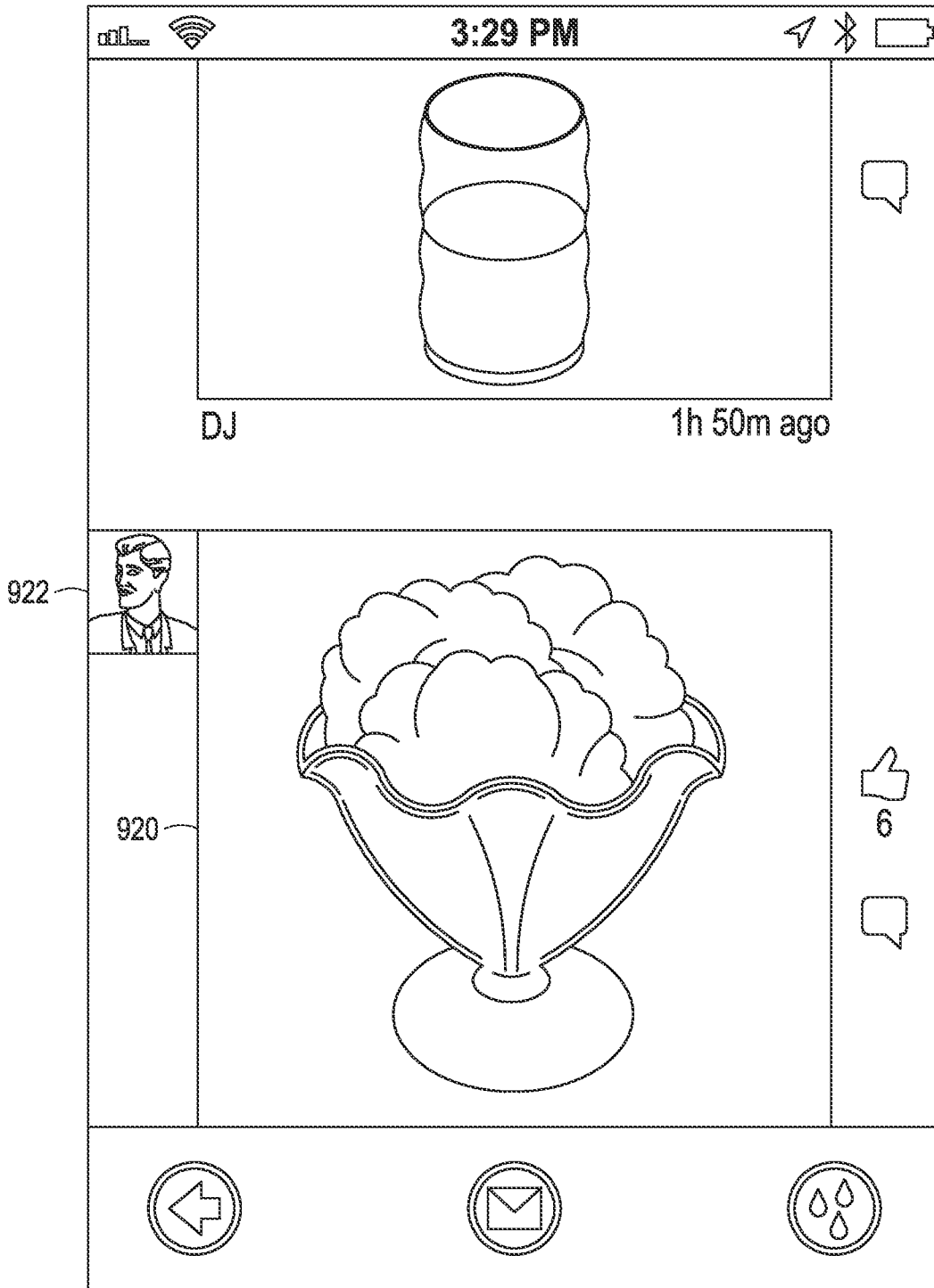


FIG. 9J

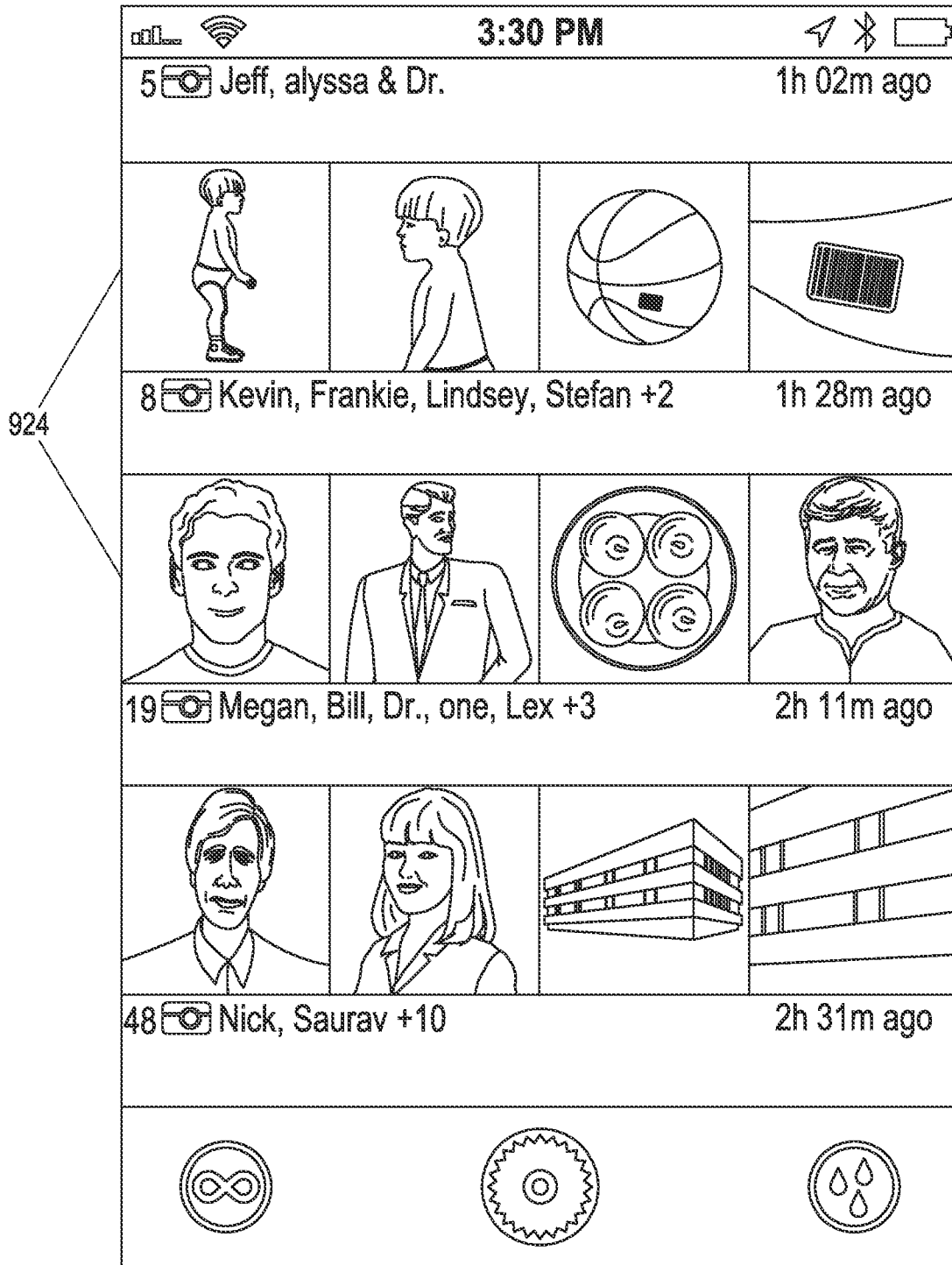


FIG. 9K

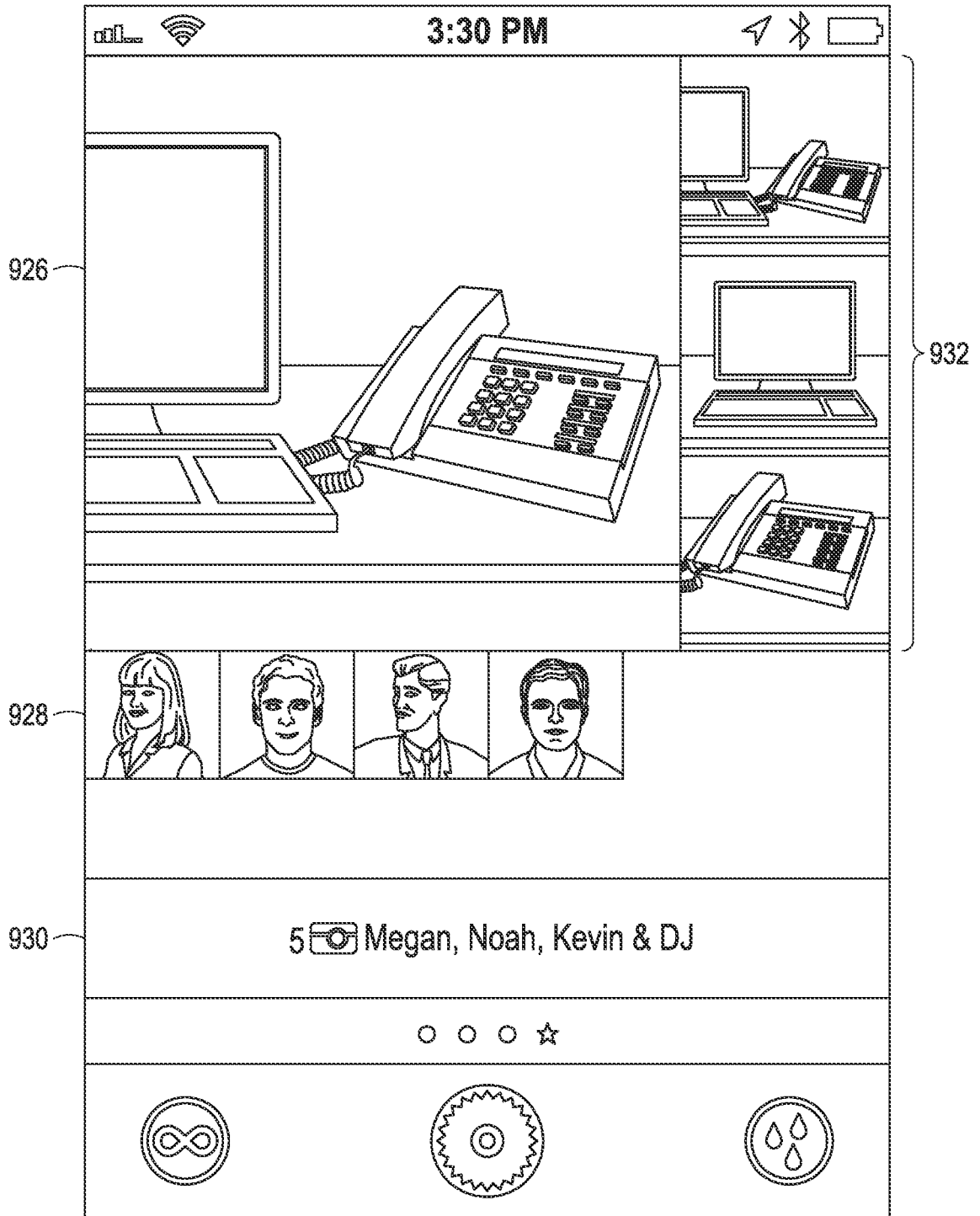


FIG. 9L

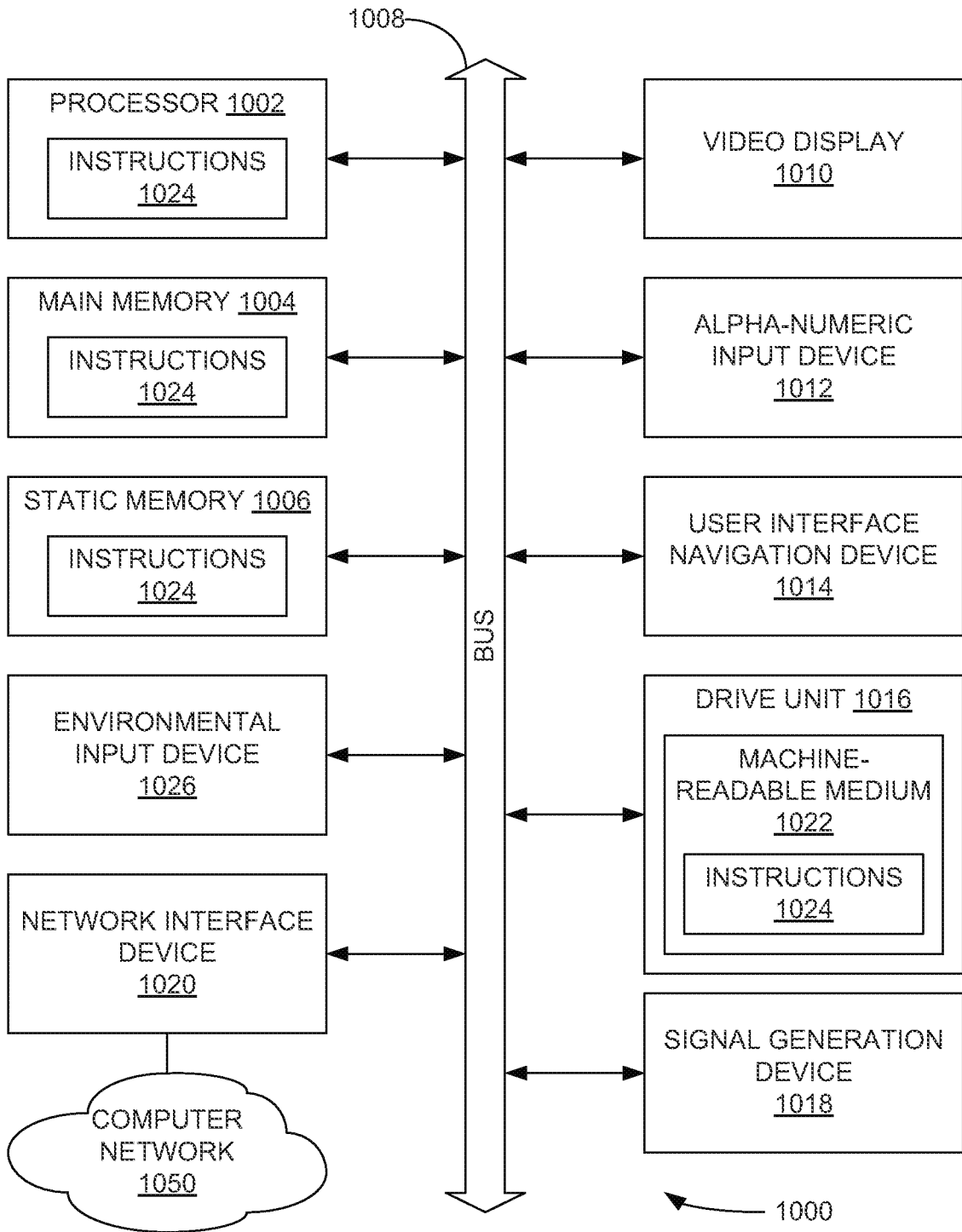


FIG. 10